



see what Delta can do™

FREESTANDING BATHTUB

■ 60" x 30" (1524 mm x 762 mm)

STANDARD SPECIFICATIONS

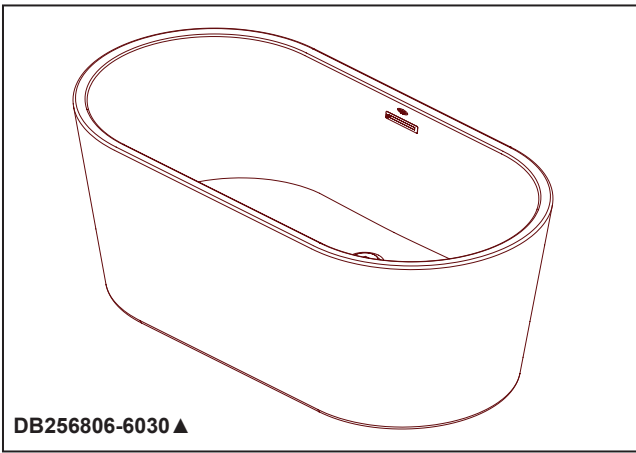
- Vacuum formed acrylic reinforced with fiberglass
- Scratch, stain and fade resistant high gloss finish
- Includes integral pop-up drain and slotted overflow
- Includes a steel frame
- Average weight: 114 lbs (52 kg)
- Bathing well at bottom: 47" x 21" (1194 mm x 533 mm)
- Capacity drain to overflow: 51 gallons (232 liters)
- Water depth drain to overflow: 14.75" (375 mm)
- Drain opening: 2" (51 mm)
- Drain to floor clearance: 3.25" (83 mm)

WARRANTY

- 10 year warranty residential. 1 year commercial

COMPLIES WITH

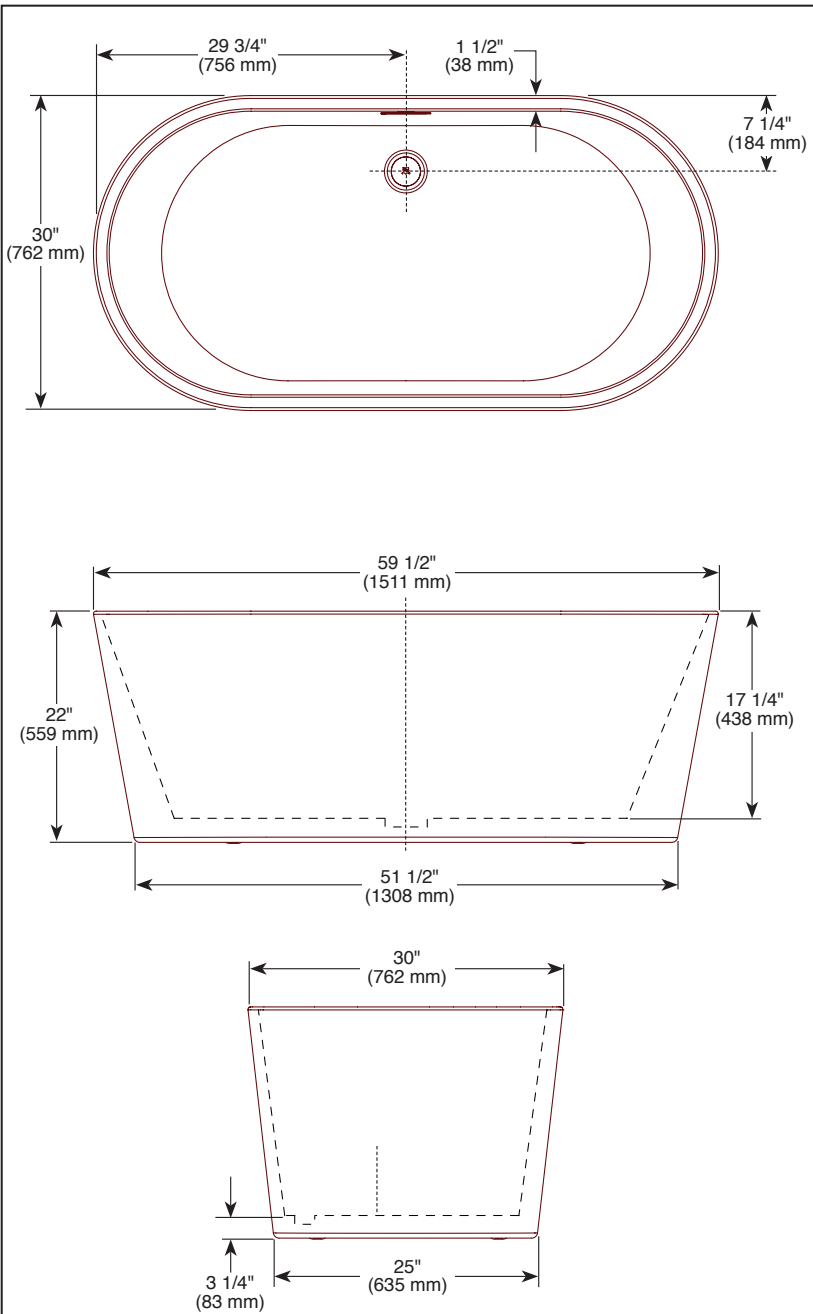
- CSA B45.5/IAPMO Z124



DB256806-6030 ▲

Submitted Model No.: _____

Specific Features: _____



▲ Designate proper finish suffix (-WH for white)

Delta Faucet Company

55 E 111th Street, Indianapolis, Indiana 46280
350 South Edgeware Road, St. Thomas, ON N5P 4L1
© 2020 Delta Faucet Company