



Underscore® Rectangle

60" x 30" heated whirlpool bath with right drain

K-1167-JRH

Features

- Eight Flexjet® hydromassage jets can be individually adjusted for water flow and direction.
- Variable speed pump for adjusting massage intensity.
- Built-in heater.
- Slotted overflow allows for deep soaking.
- Integral lumbar support.
- Textured bottom surface.

Material

- Acrylic.

Installation

- Alcove.
- Integral flange.
- Right drain.
- 120V electrical requirement allows for easy installation with standard outlet.
- Requires one dedicated circuit.

Required Products/Accessories

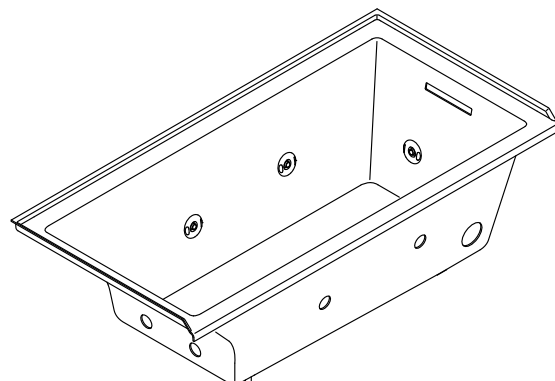
K-7271 Brass Slotted Overflow Bath Drain
K-9698 Flexjet® Whirlpool Trim Kit

or

K-7272 PVC Slotted Overflow Bath Drain
K-9698 Flexjet® Whirlpool Trim Kit

Recommended Products/Accessories

K-1491 Bath/Whirlpool Pillow
K-1601 Bath/Whirlpool Footstop
K-1703 Whirlpool Remote Control
K-9497 2-1/2" Keypad Trim
K-24916 Wireless Music Kit
K-702200-G54 Frameless Sliding Bath Door
K-702200-G73 Frameless Sliding Bath Door
K-702200-L Frameless Sliding Bath Door
K-702205-L Frameless Sliding Bath Door
K-706000-D3 Frameless Sliding Bath Door
K-706000-L Frameless Sliding Bath Door
K-706003-L Frameless Sliding Bath Door
K-706004-D3 Frameless Sliding Bath Door
K-706004-L Frameless Sliding Bath Door
K-706007-L Frameless Sliding Bath Door



ADA

Codes/Standards







ASME A112.19.7/CSA B45.10
CSA B45.5/IAPMO Z124
ASTM E162
ASTM E662
UL 1795
CSA C22.2 No. 218.2
ADA
ICC/ANSI A117.1

KOHLER® Plastic Baths and Receptors
Lifetime Limited Warranty
KOHLER® Hydrotherapy Components
Five-Year Limited Warranty

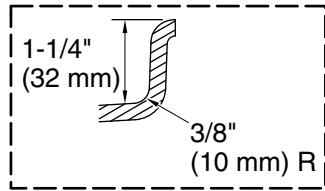
See website for detailed warranty information.

Available Colors/Finishes

Color tiles intended for reference only.

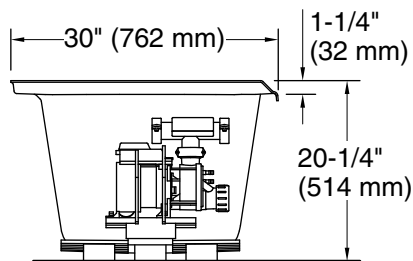
Color	Code	Description
	0	White
	96	Biscuit
	NY	Dune
	95	Ice™ Grey
	58	Thunder™ Grey
	7	Black Black™

No change in measurements if connected with drain illustrated. (K-7271)

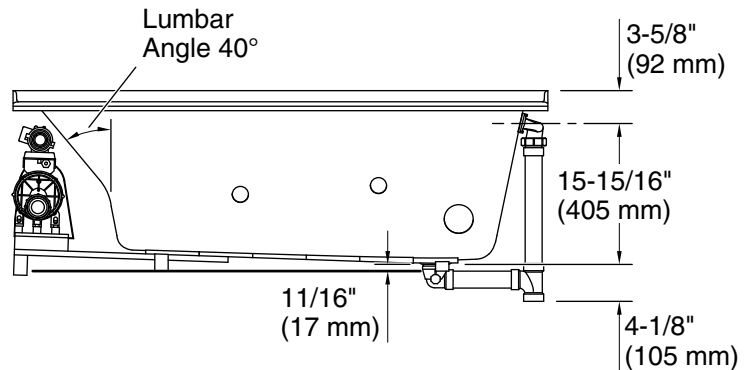
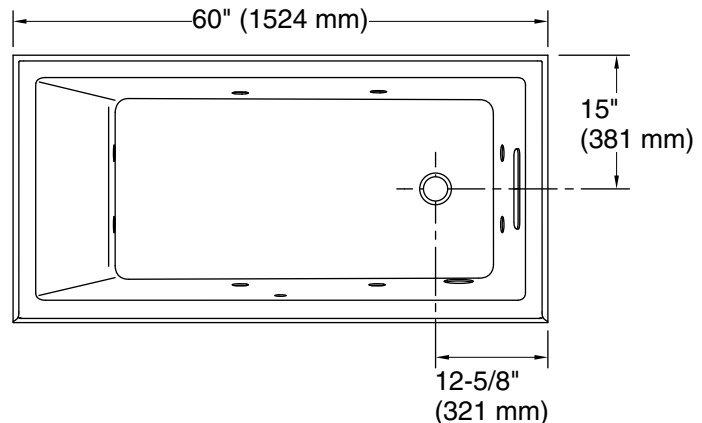


Integral Flange Detail

Blower Motor Access
20" (508 mm) W x 15" (381 mm) H Min



1-1/2" Bath Drain



Required Electrical Service

Two dedicated circuits required, protected with Class A Ground-Fault Circuit-Interrupter (GFCI). Outside North America, this device may be known as a Residual Current Device (RCD).

Pump: 120 V, 15 A, 60 Hz
Heater: 120 V, 15 A, 60 Hz

Technical Information

All product dimensions are nominal.

Installation: Drop-in
Drain location: Right
Basin area, bottom: 42-7/16" x 20" (1078 mm x 508 mm)
Basin area, top: 54-5/16" x 24-1/4" (1380 mm x 617 mm)
Weight: 120 lbs (54.4 kg)
Minimum floor load: 46 lbs/ft² (224.6 kg/m²)
Water depth: 14-3/4" (374 mm)
Water capacity: 59.8 gal (226.4 L)
Cutout: Drop-in, 59-1/2" x 28-1/2" (1511 mm x 724 mm)
Electrical component rating: Pump: 120 V, 7 A, 60 Hz
Heater: 120 V, 12 A, 60 Hz

Notes

Measure your actual product for rough-in details. Install this product according to the installation instructions.

The hot water supply should be 70% of the capacity of the bath or greater. Installations will vary.

Provide one grounded electrical outlet within 24" (610 mm) of each component.

ADA compliant when installed to the specific requirements of these regulations.