

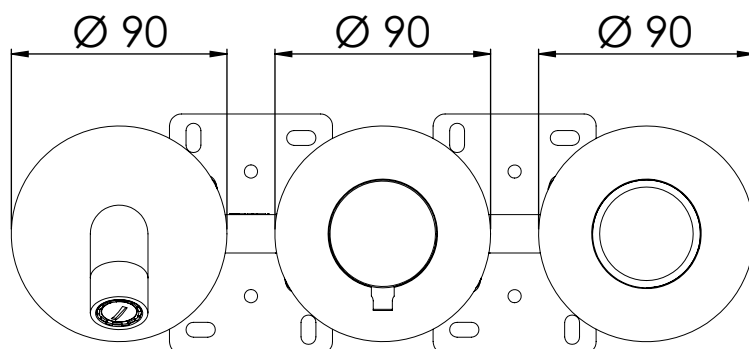
DANIEL
RUBINETTERIE

MILANO

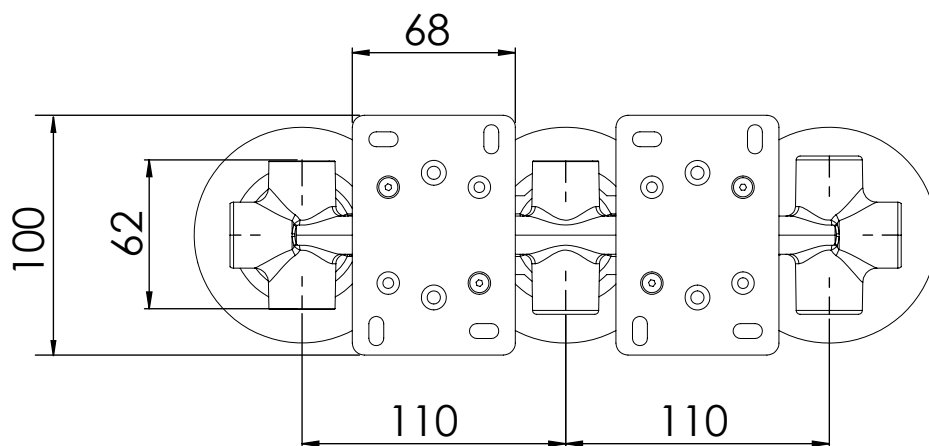
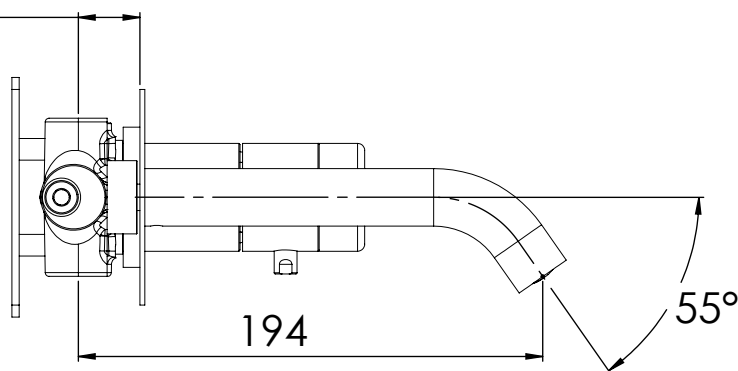
SCHEDA TECNICA TECHNICAL FEATURES

ART. COD.

TG700D3P



MIN 26 mm
MAX 50 mm



MATERIALI / MATERIALS

OTTONE CROMATO / CHROME PLATED BRASS

CROMATURA / CHROME PLATING

UNI EN 248

Via Leonardo da Vinci 53 20062 Cassano d'Adda (MI) Italy Tel. +39-0363 62651
info@daniel.it www.daniel.it