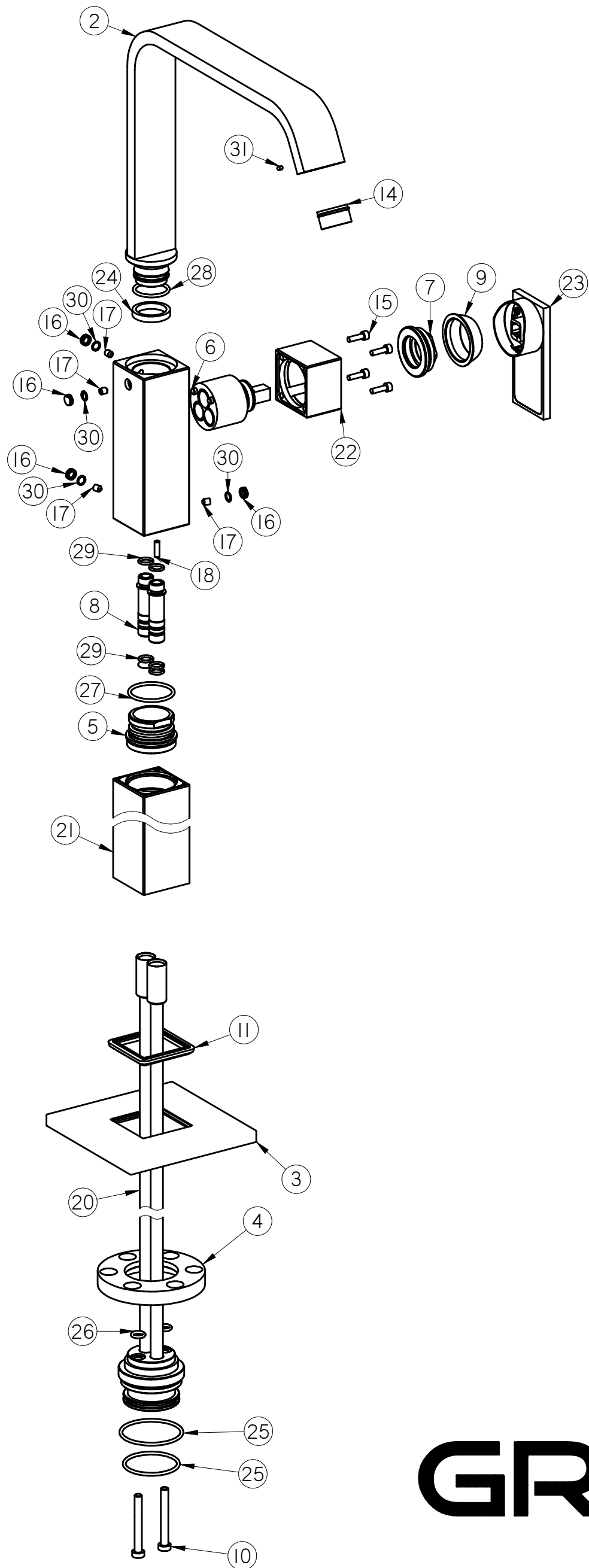


5527000

IMMERSION Series



GRAFF®