

E2901N



Collection: CLEO

Finish*:



00 - White

Main features:



Features

- DIMENSIONS: 175 x 80 cm
- MATERIAL: Cast iron
- VOLUME (L): 271/201
- WASTE DIAMETER: 5,2 cm
- STEP: Not supplied
- OPTIONAL COORDINATING PANEL: No
- BATH WELL WIDTH: 46.7 cm
- CAN BE EQUIPPED WITH A WHIRLPOOL SYSTEM: No
- FREESTANDING INSTALLATION: On claw feet
- WEIGHT: 146.4 kg
- INSTALLATION TYPE: Freestanding
- SHAPE: Oval
- FEET: Not supplied
- WASTE : Not supplied
- BATH WELL LENGTH: 134.8 cm
- TWO-PERSON BATH: Yes
- GUARANTEE: 25 years

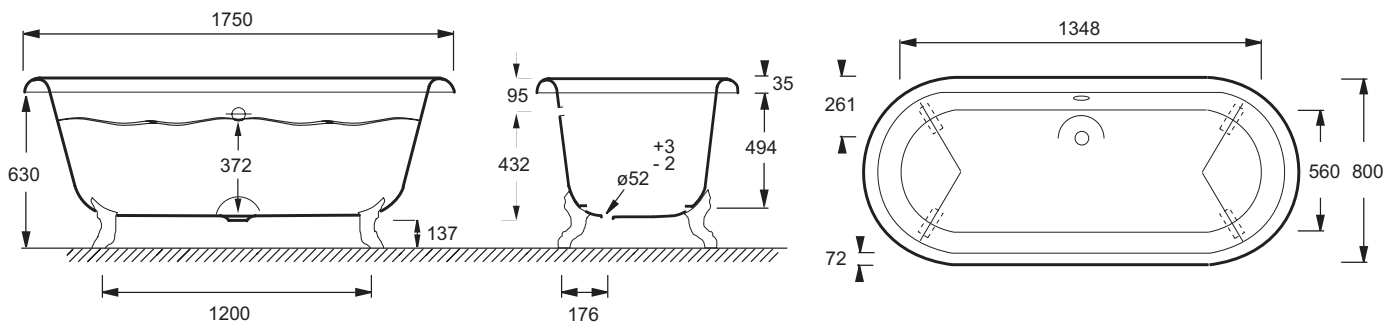
Consumer benefits

- PERFECT FINISHES: White enamel interior, white exterior finish
- DESIGN: Timeless bath marrying tradition and modernity
- BATHING ENJOYMENT: Deep bath for relaxation

Required products

- E4010N: Set of 4 feet
- E7807: Pop-up waste

Technical drawing



Product Specification: Freestanding cast iron bath 175 x 80 cm. E2901N. Collection: CLEO. DIMENSIONS: 175 x 80 cm. WEIGHT: 146.4 kg. MATERIAL: Cast iron. INSTALLATION TYPE: Freestanding. VOLUME (L): 271/201. SHAPE: Oval. WASTE DIAMETER: 5,2 cm. FEET: Not supplied. STEP: Not supplied. WASTE : Not supplied. OPTIONAL COORDINATING PANEL: No. BATH WELL LENGTH: 134.8 cm. BATH WELL WIDTH: 46.7 cm. TWO-PERSON BATH: Yes. CAN BE EQUIPPED WITH A WHIRLPOOL SYSTEM: No. GUARANTEE: 25 years. FREESTANDING INSTALLATION: On claw feet.

*Due to possible variations in computer and printer calibrations, technical factors and certain finish characteristics, the colors you see may not accurately portray the actual colors and are provided as a guide only.