

### Features

- Freestanding design creates a striking focal point in your bathing area.
- Sloped lumbar support on both ends.
- 17-inch bathing depth offers a deep soaking experience.
- Wide deck along one side simplifies installation and provides support for getting in and out of bath.
- Straight shroud.
- Textured bottom surface.
- Center drain.

### Material

- Acrylic.

### Installation

- Freestanding.

### Recommended Products/Accessories

K-7265 Brass toe tap bath drain  
K-37385 rough-in cable drain, PVC, 45" cable  
K-24916 Wireless Music Kit  
K-23726 Drain treatment  
K-23732 Tub & shower cleaner



### Codes/Standards

CSA B45.5/IAPMO Z124  
ASTM E162  
ASTM E662



### KOHLER® Plastic Baths and Receptors Lifetime Limited Warranty

See website for detailed warranty information.


### Available Colors/Finishes

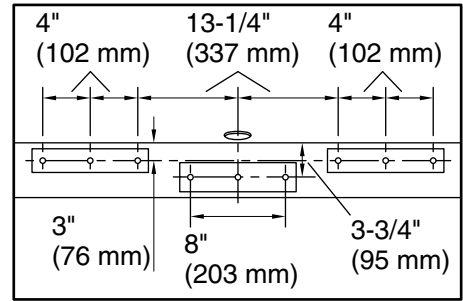
*Color tiles intended for reference only.*

Color	Code	Description
-------	------	-------------

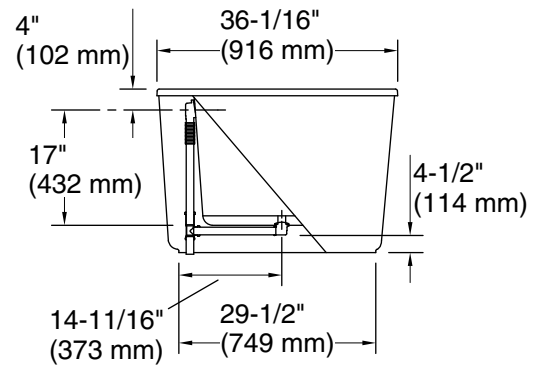
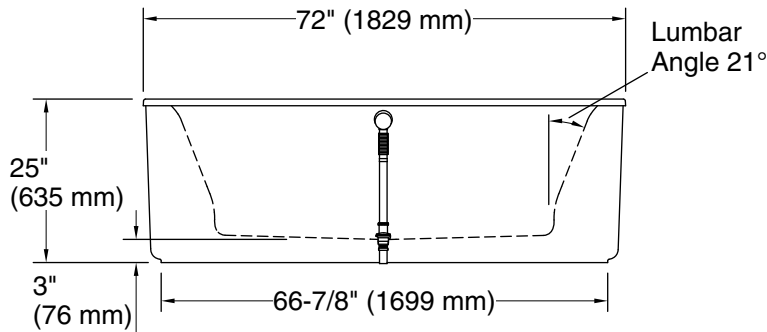
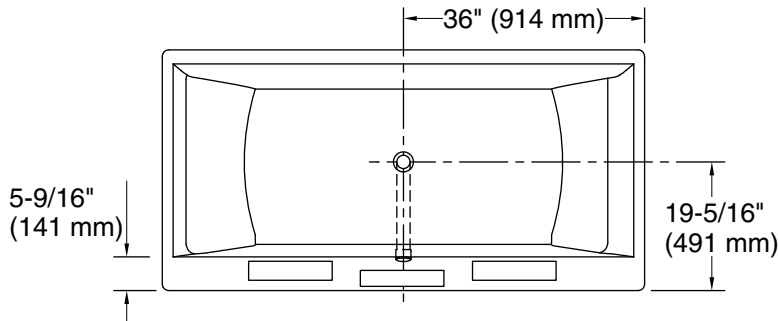
	0	White
	96	Biscuit

No change in measurements if connected with drain illustrated. (K-7265)

 Recommended Faucet Location



Recommended Faucet Hole Location



### Technical Information

All product dimensions are nominal.

Installation:	Freestanding
Drain location:	Center
Basin area, bottom:	50" x 25-1/2" (1270 mm x 648 mm)
Basin area, top:	61" x 27-1/2" (1549 mm x 699 mm)
Weight:	152 lbs (68.9 kg)
Minimum floor load:	48.8 lbs/ft <sup>2</sup> (238.3 kg/m <sup>2</sup> )
Water depth:	17" (432 mm)
Water capacity:	90 gal (340.7 L)
Template:	Footprint, 1245664, not required, not included

### Notes

Measure your actual product for rough-in details. Install this product according to the installation instructions.

The hot water supply should be 70% of the capacity of the bath or greater. Installations will vary.

This bath is designed for freestanding installation only.

Do not support the load weight of the bath by the rim.

If installing a rim-mount faucet, make sure there is no interference above or below the deck before drilling any holes.