

DANIEL
RUBINETTERIE

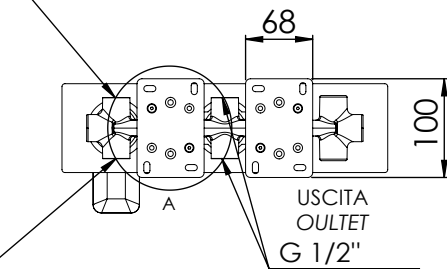
MILANO

SCHEDA TECNICA TECHNICAL FEATURES

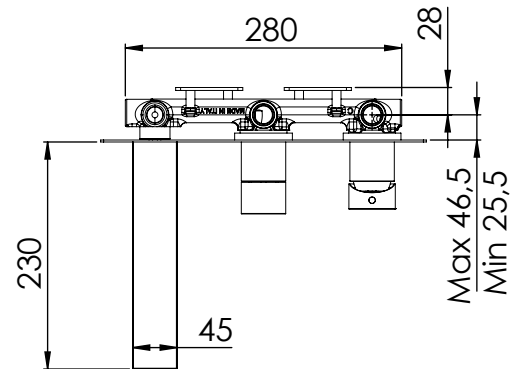
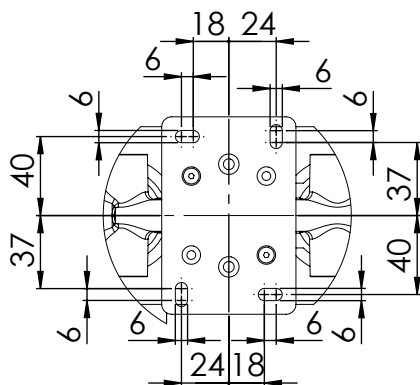
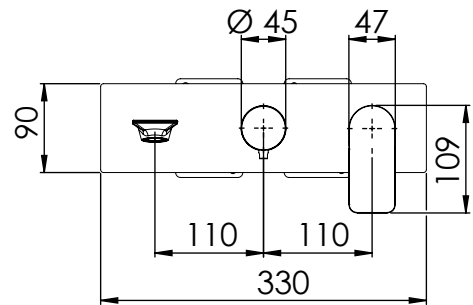
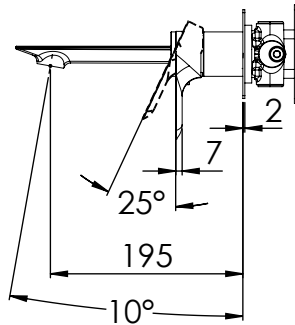
ART. COD.

AI700D3

ENTRATA ACQUA FREDDA
COLD WATER INLET
G 1/2"



ENTRATA ACQUA CALDA
HOT WATER INLET
G 1/2"



MATERIALI / MATERIALS

OTTONE CROMATO / CHROME PLATED BRASS

CROMATURA / CHROME PLATING

UNI EN 248

Via Leonardo da Vinci 53 20062 Cassano d'Adda (MI) Italy Tel. +39-0363 62651
info@daniel.it www.daniel.it