

**E98632**



**Collection:** STRAYT

**Finish\*:**



CP - Chrome

**Features**

- **DIMENSIONS:** 16.60 x 13.50 cm
- **MATERIAL:** Metal
- **NORMS AND REGULATION:** ACS (Certificate of Sanitary Compliance): 10 ACC LY 004
- **CONNECTION :** Connect to an outlet (example: showerhead, handshower)

- **WEIGHT:** 2 kg
- **INSTALLATION TYPE:** Built-in
- **COMPONENTS:** Build-in body, trim and handle

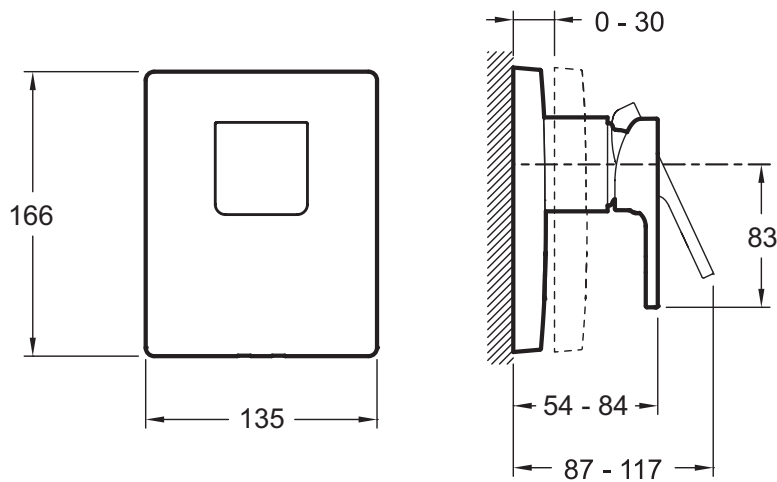
**Consumer benefits**

- **EVACUATION SYSTEM:** Prevents condensation inside the Modulo box
- **EASY GRIP:** Strayt ergonomic handle

**Installation benefits**

- **FAST INSTALLATION:** Fixing screws pre-mounted to cartridge box
- **EASY INSTALLATION:** Thanks to guide notches
- **CONVENIENT MAINTENANCE:** Easy access to build-in body (thermostatic cartridge, non-return valves, etc.)

**Technical drawing**



Product Specification: Built-in shower mixer - no diverter - Strayt trim and lever. E98632. Collection: STRAYT. DIMENSIONS: 16.60 x 13.50 cm. WEIGHT: 2 kg. MATERIAL: Metal. INSTALLATION TYPE: Built-in. NORMS AND REGULATION: ACS (Certificate of Sanitary Compliance): 10 ACC LY 004. COMPONENTS: Build-in body, trim and handle. CONNECTION : Connect to an outlet (example: showerhead, handshower).

*\*Due to possible variations in computer and printer calibrations, technical factors and certain finish characteristics, the colors you see may not accurately portray the actual colors and are provided as a guide only.*