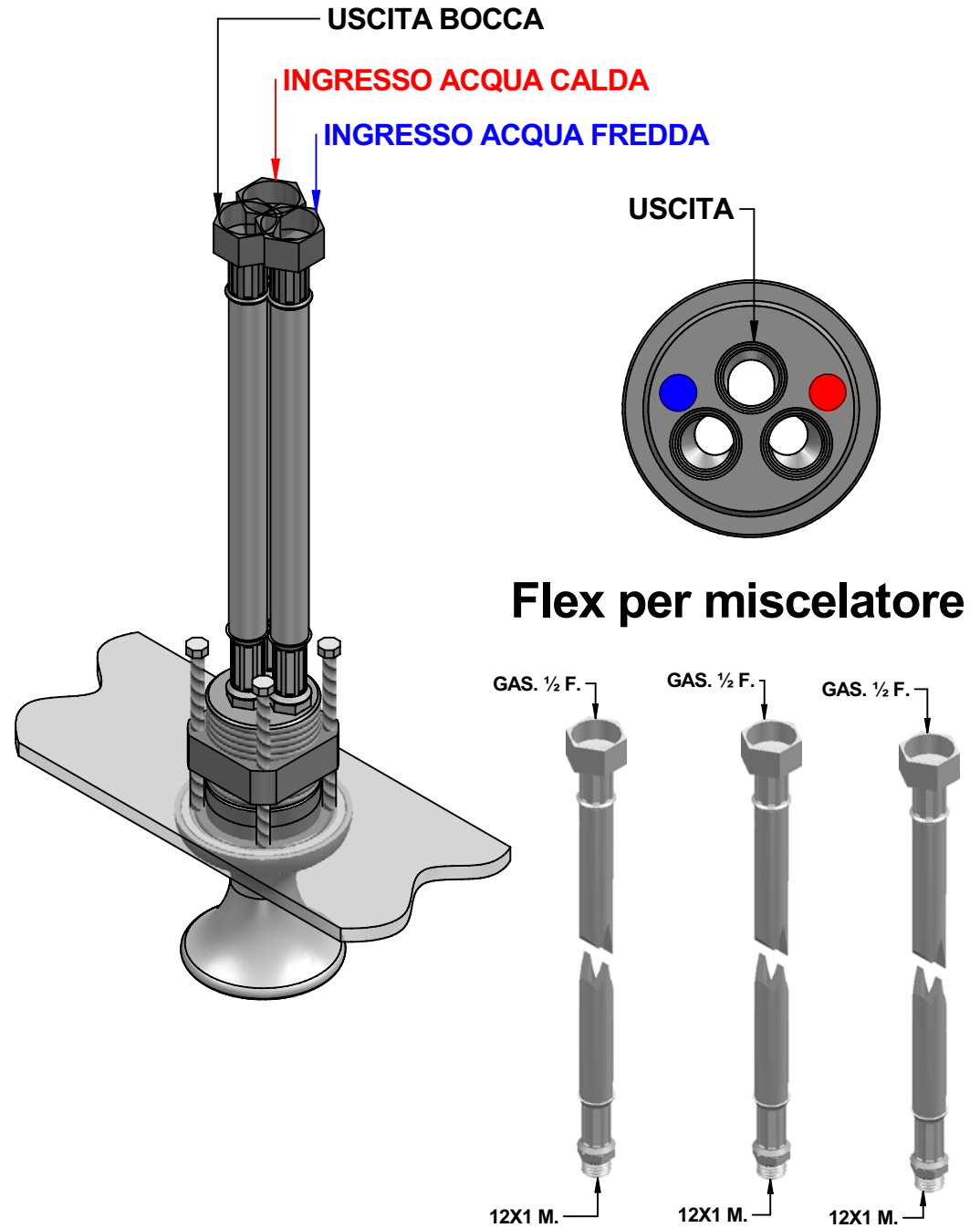
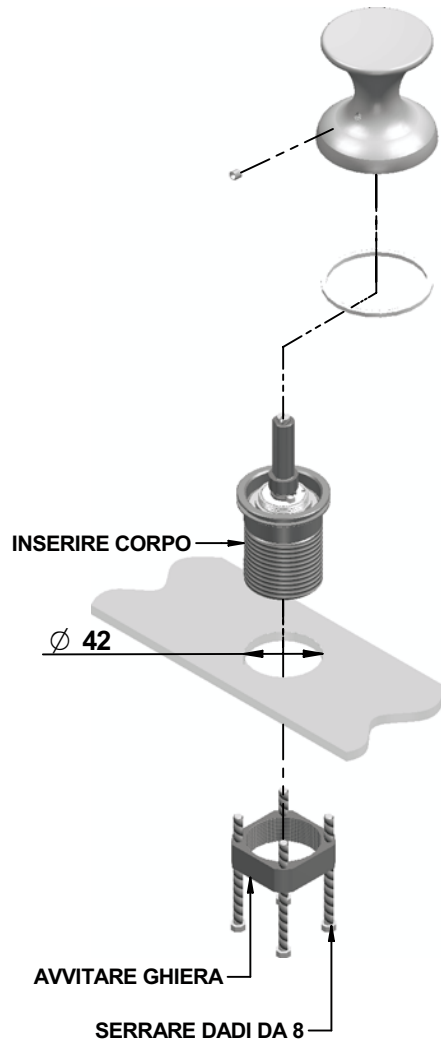
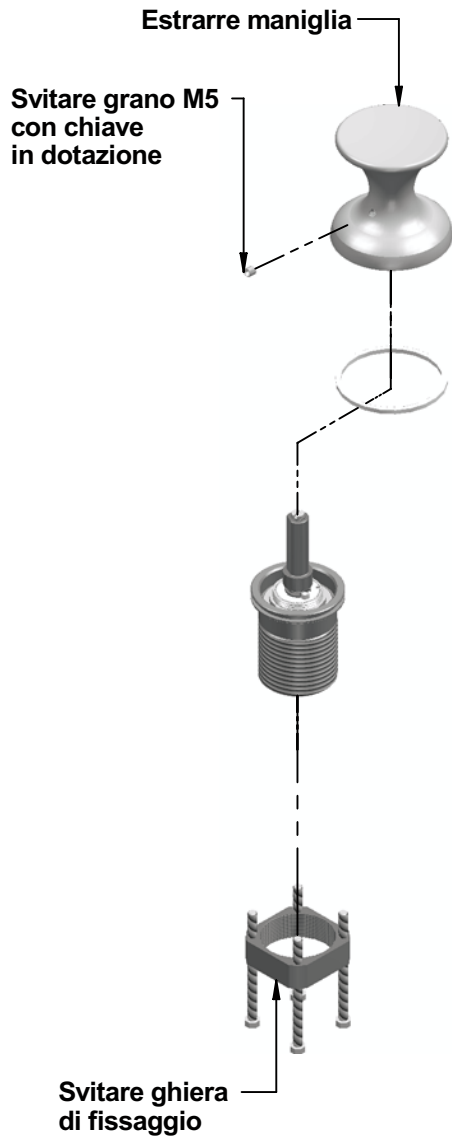


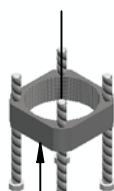
INSTALLAZIONE MISCELATORE COMANDO REMOTO SOFFI



REMOTE CONTROL INSTALLATION

REMOVE THE HANDLE

UNSCREW
THE M5 SCREW
UTILIZING THE KEY
CONTAINED IN THE
BOX



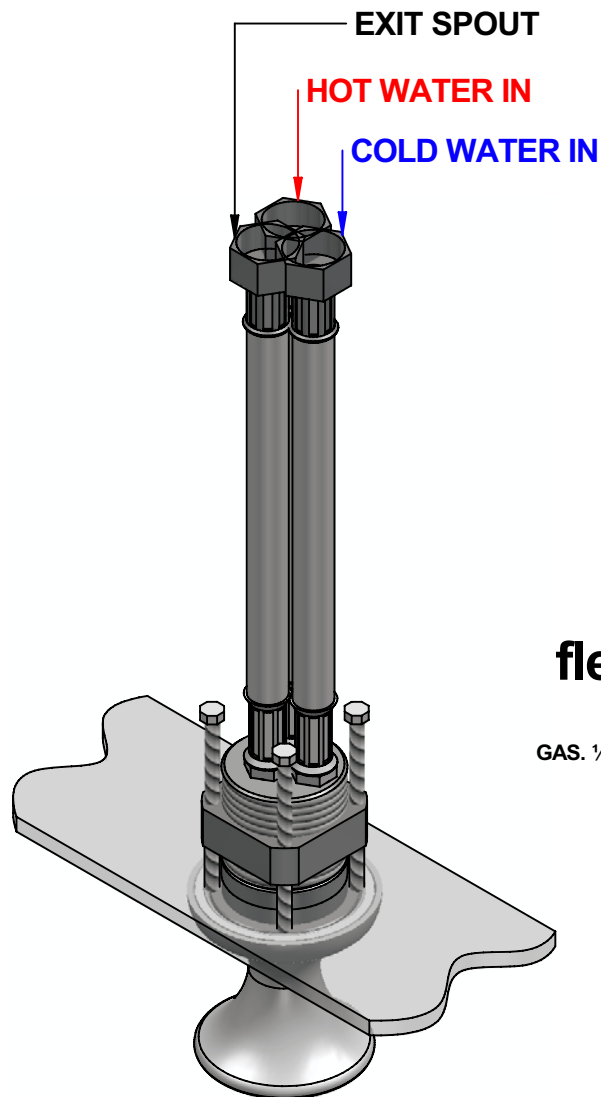
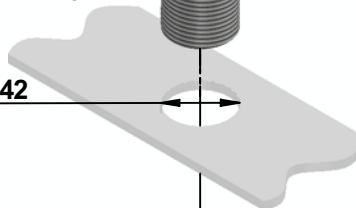
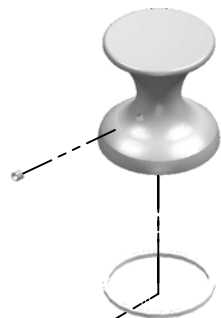
UNSCREW THE
FIXING NUT

PLACE THE BODY VALVE

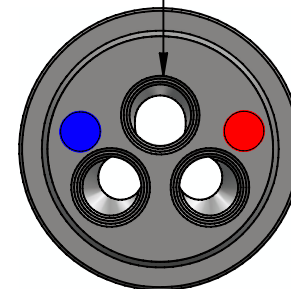
∅ 42

SCREW THE FIXING-NUT

LOCK THE FIXING NUT
UTILIZING THE RELATIVE
SCREWS



EXIT



flexi tails for mixer

GAS. 1/2 F.



12X1 M.

GAS. 1/2 F.



12X1 M.

GAS. 1/2 F.



12X1 M.