

#### Features

- Six Flexjet® hydromassage jets can be individually adjusted for water flow and direction.
- Variable speed pump for adjusting massage intensity.
- Built-in heater.
- Generous 66" length provides spacious bathing for up to two people.
- Integral lumbar support.
- Textured bottom surface.

#### Material

- KOHLER® enameled cast iron.

#### Installation

- Drop-in or undermount.
- Reversible drain.

#### Required Products/Accessories

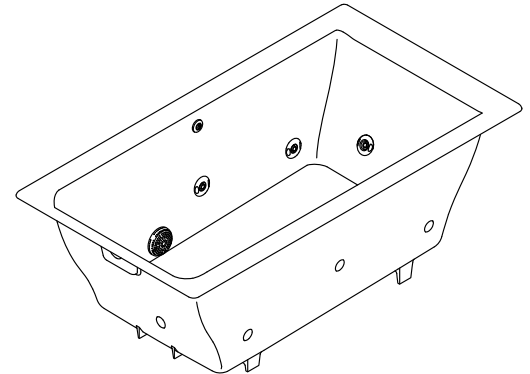
- K-7169-AF 1-1/2" Contoured Pop-up Drain
- K-9696 Whirlpool 6-Jet Trim Kit

#### Recommended Products/Accessories

- K-1179 Vinyl Tiling-in Bead
- K-1703 Whirlpool Remote Control
- K-586 Under-Mount Installation Kit
- K-1172 Adjustable feet
- K-1491 Bath/Whirlpool Pillow
- K-1601 Bath/Whirlpool Footstop
- K-9497 2-1/2" Keypad Trim
- K-702200-G54 Frameless Sliding Bath Door
- K-702200-G73 Frameless Sliding Bath Door
- K-702200-L Frameless Sliding Bath Door
- K-702205-L Frameless Sliding Bath Door

#### Included Components

- Additional Components:  
40" (1016 mm) cable



ADA

#### Codes/Standards

- ASME A112.19.1/CSA B45.2
- ASME A112.19.7/CSA B45.10
- ASTM F462
- UL 1795
- CSA C22.2 No. 218.2
- ADA
- ICC/ANSI A117.1




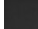
#### KOHLER® Enameled Cast Iron Bath and Shower Base Lifetime Limited Warranty

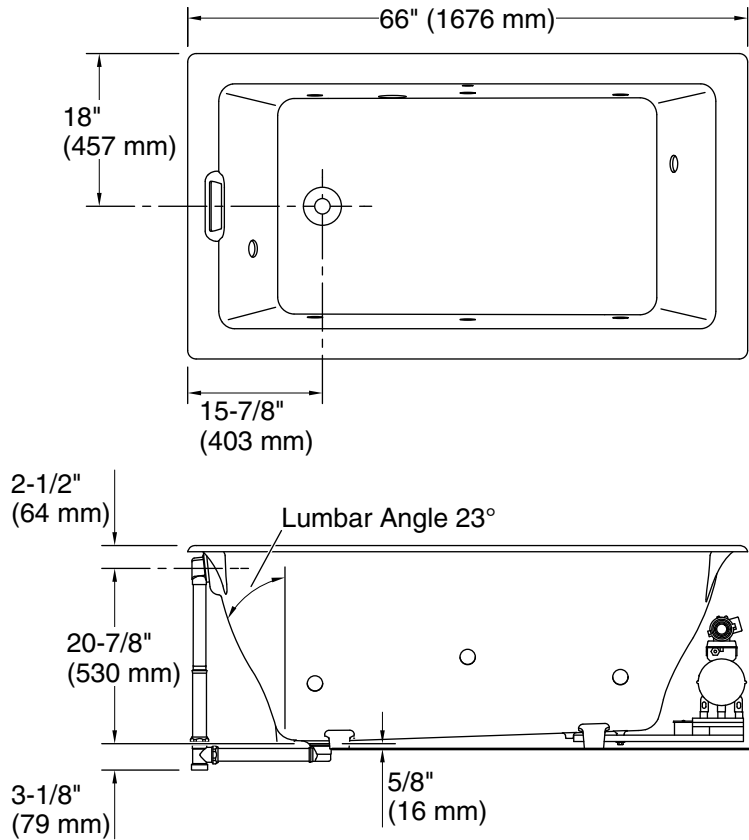
#### KOHLER® Hydrotherapy Components Five-Year Limited Warranty

See website for detailed warranty information.

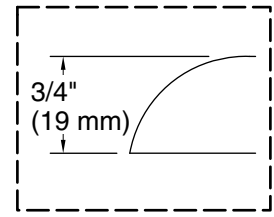
#### Available Colors/Finishes

*Color tiles intended for reference only.*

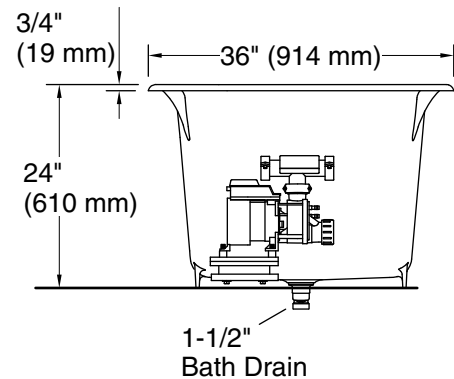
Color	Code	Description
	0	White
	96	Biscuit
	NY	Dune
	7	Black Black™



No change in measurements if connected with drain illustrated. (K-7169AF)



Blower Motor Access  
 20" (508 mm) W x 15" (381 mm) H Min



#### Required Electrical Service

Two dedicated circuits required, protected with Class A Ground-Fault Circuit-Interrupter (GFCI). Outside North America, this device may be known as a Residual Current Device (RCD).

Pump: 120 V, 15 A, 60 Hz  
 Heater: 120 V, 15 A, 60 Hz

#### Technical Information

All product dimensions are nominal.

Installation: Drop-in, Undermount  
 Drain location: End  
 Basin area, bottom: 40-1/2" x 20" (1029 mm x 508 mm)  
 Basin area, top: 52-3/4" x 24" (1340 mm x 610 mm)  
 Weight: 290 lbs (131.5 kg)  
 Minimum floor load: 60 lbs/ft<sup>2</sup> (292.9 kg/m<sup>2</sup>)  
 Water depth: 13-5/8" (346 mm)  
 Water capacity: 60 gal (227.1 L)  
 Cutout: Drop-in, 58-1/2" x 30-1/2" (1486 mm x 775 mm)  
 Template: K-586, not required, not included  
 Electrical component rating: Pump: 120 V, 7 A, 60 Hz  
 Heater: 120 V, 12 A, 60 Hz

#### Notes

Measure your actual product for rough-in details. Install this product according to the installation instructions.

The hot water supply should be 70% of the capacity of the bath or greater. Installations will vary.

ADA compliant when installed to the specific requirements of these regulations.