

INSTALLATION GUIDELINES

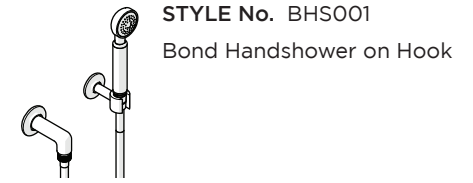
IMPORTANT:

- To ensure this product is installed properly, you must read and follow these guidelines.
- The owner/user of this product must keep this information for future reference.
- This product must be installed by a professional licensed contractor and must be onsite prior to rough-in, this allows the installer to visualize the installation.
- Be sure your installation conforms to federal, state, and local codes. In the State of Massachusetts, all installations must comply with the rules and regulations set forth within 248 CMR.
- Inspect this product to ensure you have all the parts required for proper installation. Product is sold partially assembled but shown fully disassembled for illustrative and service purposes only.
- Use only a strap wrench or protected/smooth-jaw wrench on any finished surface.
- The use of certain plumber's putty may stain stone or tile surfaces.
- If further assistance is required, please contact Product Support at 1-800-927-2120 Monday through Friday, 8am - 6pm EST.
- Refer to the separate Service Parts Documents for available replacement parts.

TECHNICAL DETAILS:

DIAMETER OF HEAD	2-1/8" [54mm]
HANDSHOWER HOSE LENGTH	59" [1.5m]
INLET CONNECTION	1/2" FEMALE NPT †
INTEGRATED DIVERTER	NO
PIVOT	NO
WATER PRESSURE RANGE	20psi [1.5 bar] MIN 85psi [6.0bar] MAX
WATER PRESSURE RECOMMENDED	45psi [3.0 bar]

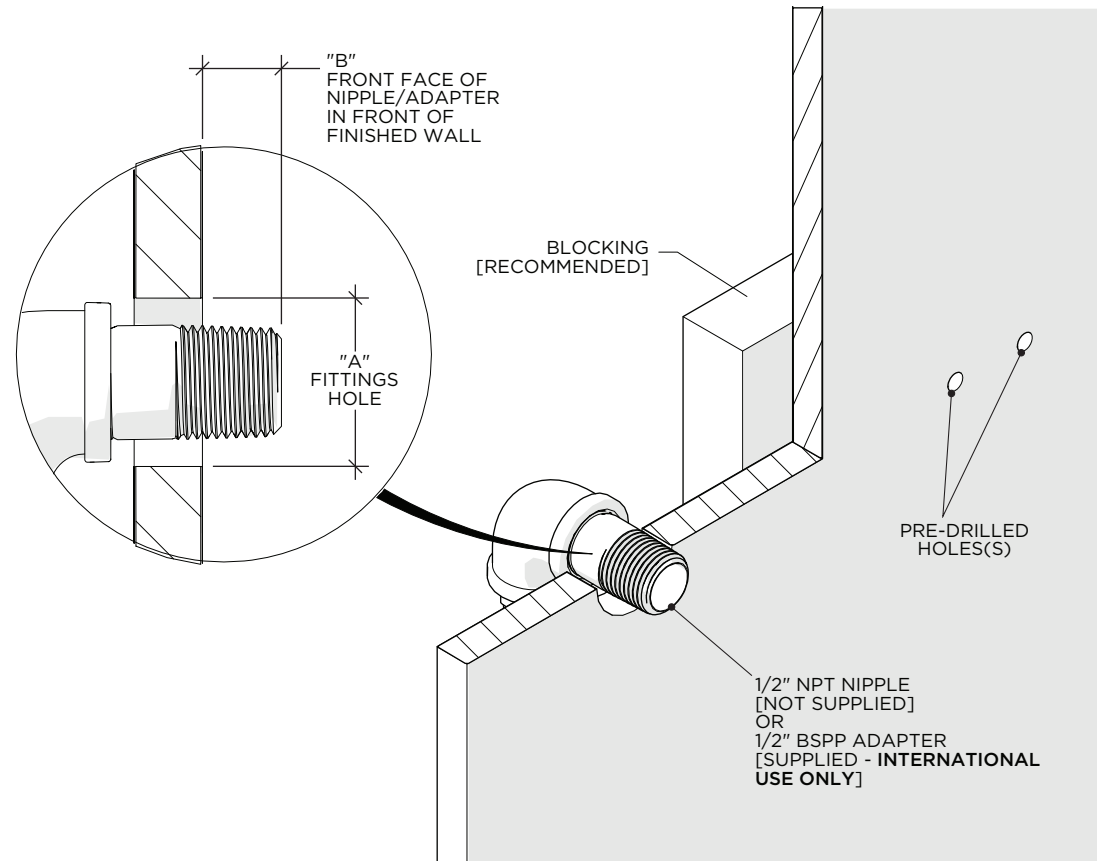
† **FOR INTERNATIONAL USE**, a 1/2" NPT Male x 1/2" BSPP Male ADAPTER (Style No. UNUK04) is provided. The BSPP end of the ADAPTER may be field cut.



ROUGH-IN:

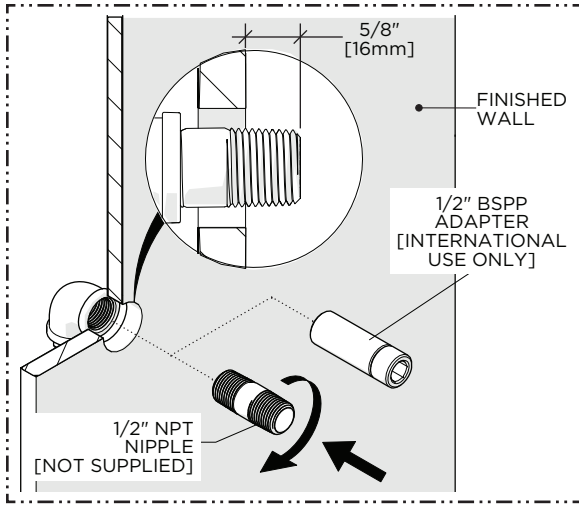
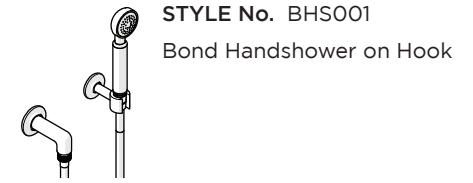
- Determine the ideal location for the HANDSHOWER and rough-in a well supported 1/2" NPT MALE NIPPLE † (not supplied) of appropriate length.
- Adequate blocking in the wall is recommended for mounting the HANDSHOWER HOOK using the 1-1/2" length WOOD SCREWS provided.
- DRYWALL ANCHORS, intended for use in a typical 1/2" drywall installation, are provided for situations where blocking is not installed.

DIMENSION	VALUE
A	1" [25mm]
B	5/8" [16mm]



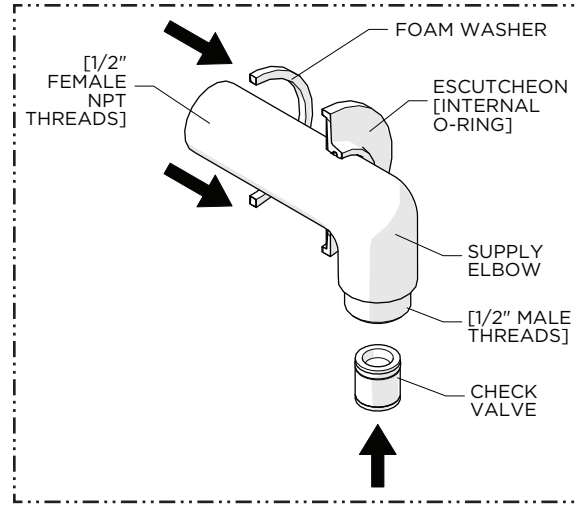
WATERWORKS

INSTALLATION GUIDELINES



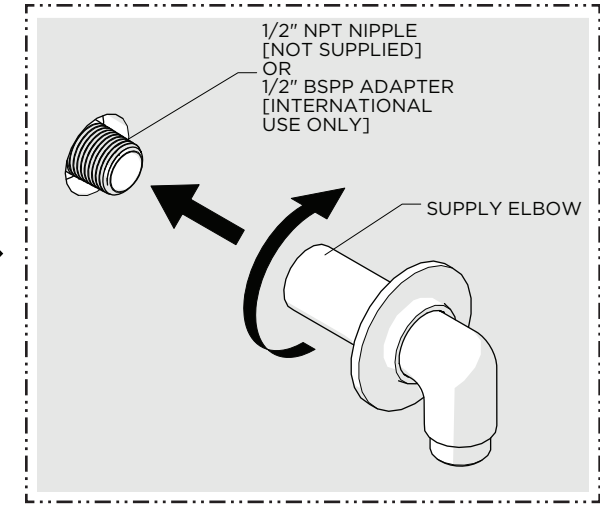
1. Install a 1/2" NPT NIPPLE (not supplied) and ensure it protrudes 5/8" [16mm] from the finished wall.

NOTE: For International installations, a BSPP ADAPTER, which may be field out, is provided.

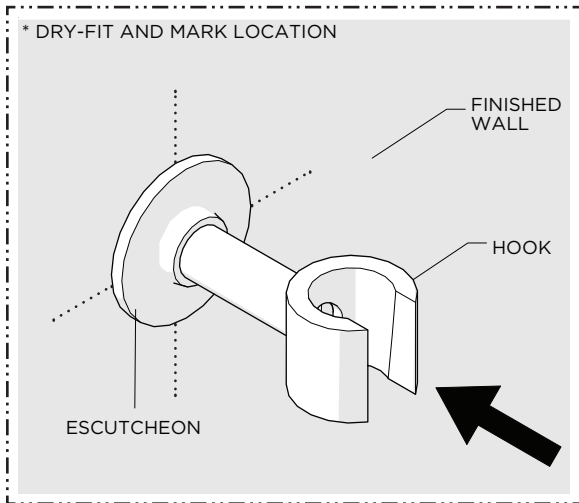


2. Slide the ESCUTCHEON and FOAM WASHER down the SUPPLY ELBOW.

NOTE: A CHECK VALVE is located in the outlet of the ELBOW.

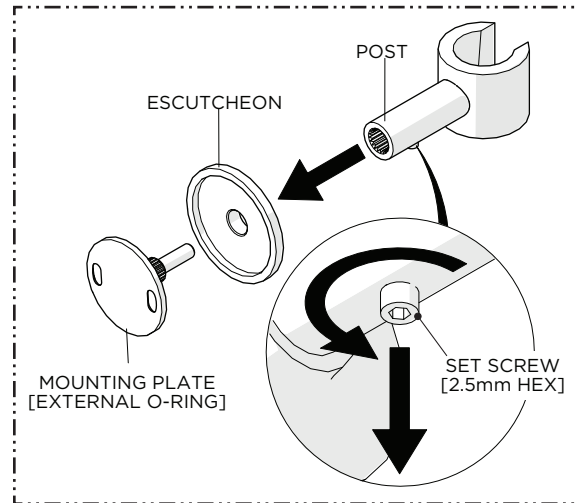


3. Thread and securely tighten the SUPPLY ELBOW onto the NPT NIPPLE or BSPP ADAPTER.



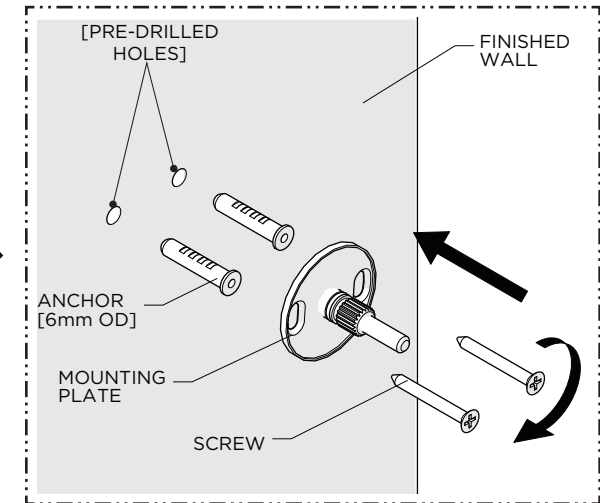
4. Dry-fit the HOOK to the finished wall and mark the ideal location for installation; preferably over adequate blocking or stud material.

NOTE: If necessary, DRYWALL ANCHORS are provided.



5. Loosen, but do NOT remove, the SET SCREW on the HOOK POST then remove the MOUNTING PLATE and ESCUTCHEON.

NOTE: Do NOT remove the O-RING on the MOUNTING PLATE.

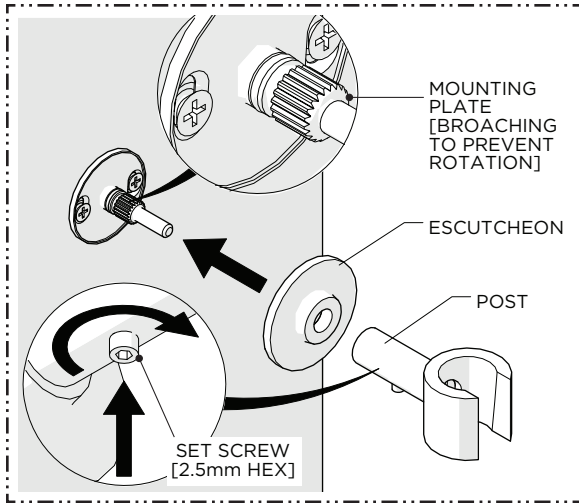
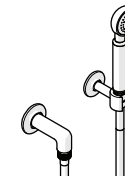


6. Using the previous marks as a reference, install the MOUNTING PLATE using the ANCHORS, if necessary, and SCREWS provided.

WATERWORKS

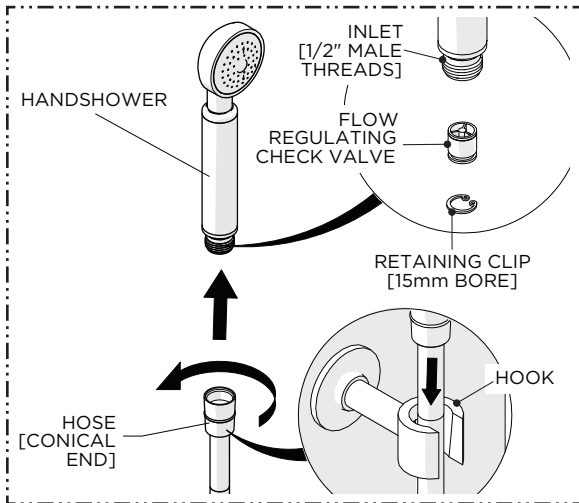
INSTALLATION GUIDELINES

STYLE No. BHS001
Bond Handshower on Hook



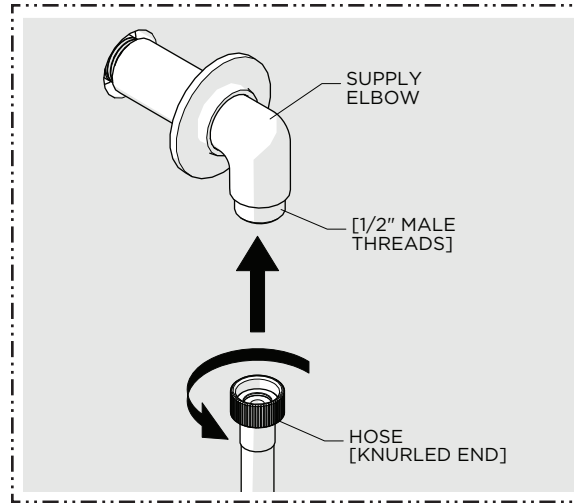
7. Slide the ESCUTCHEON and HOOK POST onto the MOUNTING PLATE then thread and securely tighten the SET SCREW.

NOTE: The STEM on the MOUNTING PLATE is broached top prevent the POST from rotating.

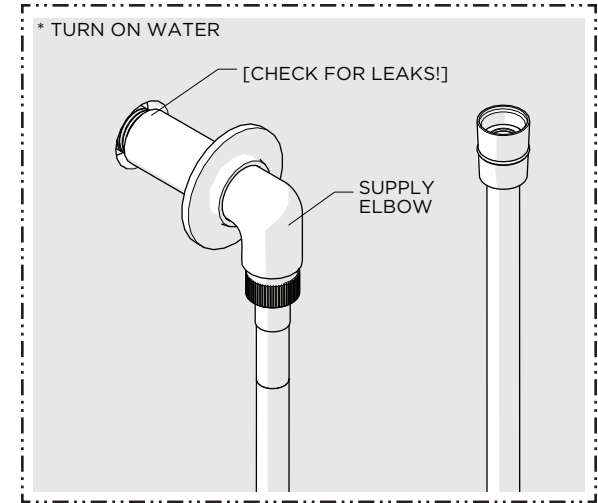


10. Thread and securely tighten the conical end of the HOSE to the HANDSHOWER then place it into the HOOK.

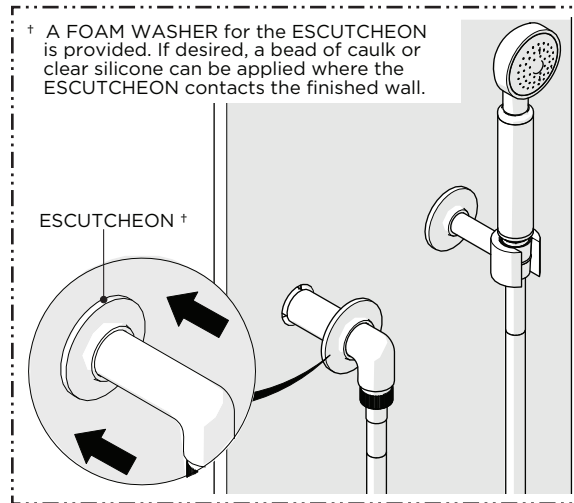
NOTE: A FLOW REGULATING CHECK VALVE is located in the inlet of the HANDSHOWER.



8. Thread and securely tighten the KNURLED end of the HOSE to the ELBOW.



9. Turn on the water and a diverter/wall valve (sold separately) to flush out any debris in the supply line and inspect all connections for leaks then turn the water off.



11. Slide the ESCUTCHEON down the SUPPLY ELBOW until it contacts the finished wall.