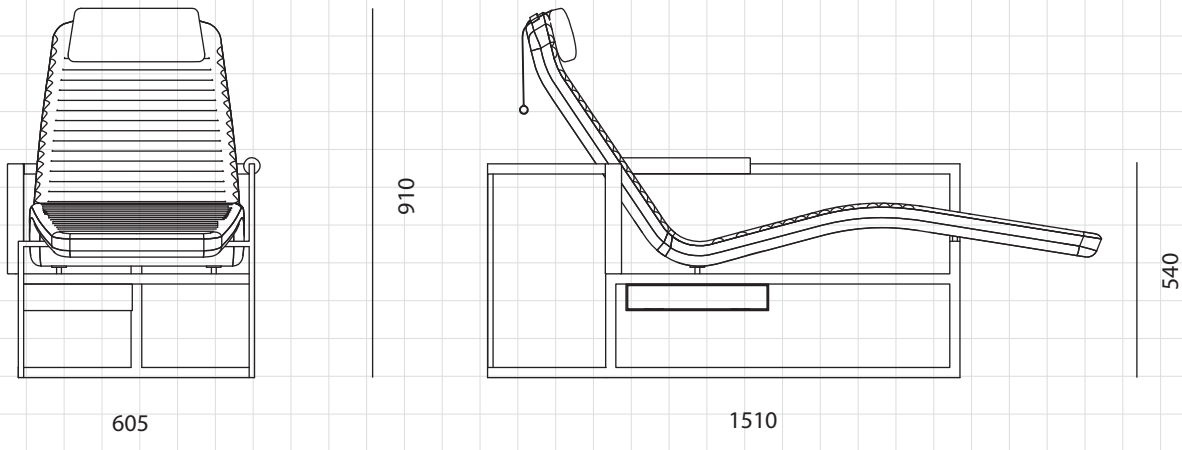


James Chaise



CODE
DIMENSIONS

JA-S111
 W605 x D1510 x H910mm

NET WEIGHT
ENVIRONMENT
MATERIALS

27.5 kg
 Indoor
 Powder coated stainless steel frame, Leather upholstery, Solid walnut
 *Please refer to website or contact your local representative for complete material swatches.

SHIPPING

Package	Assembled		
Package Qty	1 pcs/box		
Packaging	Measurement (mm)	Volume (cbm)	Gross Weight (kg)
FCL	W670 x D1575 x H995	1.05	38.20
LCL/AIR	W690 x D1595 x H1090	1.20	50.99