

UJX101



Collection: STRUKTURA

Finish*:



00 - White

Main features:



Features

- DIMENSIONS: 64.50 x 34 cm
- MATERIAL: Ceramic
- NORMS AND REGULATION: NF
- HEIGHT: Standard
- RIM: Without rim
- SEAT : Not included
- Side inlet
- WEIGHT: 27 kg
- INSTALLATION TYPE: Floor-standing
- VOLUME OF WATER: 2.6/4 L and 3/6 L
- RIM TYPE: Rimless
- PRODUCT INCLUDED: (Cistern and seat not included)
- TOILET BOWL FIXINGS: Concealed

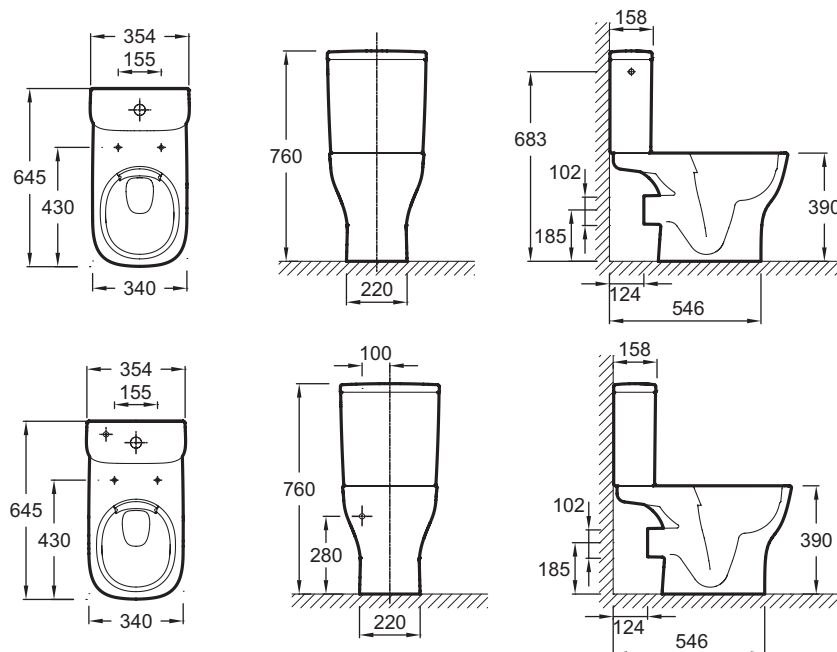
Consumer benefits

- EXTRA EASY CARE: Fully smooth glazed rimless toilet for total accessibility and fast, complete cleaning
- EFFECTIVE RINSE: Water is directed to the front of the bowl for optimal rinse over the sides with no splashing
- WATER EFFICIENCY: Water-saving 2.6/4L flush

Required products

- ETE131: Cistern 2.6/4 L flush, side inlet

Technical drawing



Product Specification: Rimless WC pan, P-trap. UJX101. Collection: STRUKTURA. DIMENSIONS: 64.50 x 34 cm. WEIGHT: 27 kg. MATERIAL: Ceramic. INSTALLATION TYPE: Floor-standing. NORMS AND REGULATION: NF. VOLUME OF WATER: 2.6/4 L and 3/6 L. HEIGHT: Standard. RIM TYPE: Rimless. RIM: Without rim. PRODUCT INCLUDED: (Cistern and seat not included). SEAT : Not included. TOILET BOWL FIXINGS: Concealed. Side inlet.

*Due to possible variations in computer and printer calibrations, technical factors and certain finish characteristics, the colors you see may not accurately portray the actual colors and are provided as a guide only.