

## BOND

BLS12D

Bond Tandem Series Lavatory Faucet with Enamel Guilloche Lines  
Lever Handles



### TECHNICAL DETAILS

ADA Compliance: Yes  
Deck Thickness Maximum: 1 11/16"  
Deck Thickness Minimum: 1/4"  
Drain Depth Maximum: 2 5/8"  
Drain Hole Diameter: 1 3/4"  
Drain Style: Push Touch  
Fittings Hole Diameter: 1 3/8"  
Handle Spread Maximum: 12"  
Handle Spread Minimum: 8"  
Handle Turn Angle: Quarter Turn  
Drain Depth Minimum: 3/8"  
Inlet Connection Size: 1/2"  
Inlet Connection Type: Male with Supply Nut  
Number of Holes: Three Hole  
Primary Material: Brass  
Restricted Maximum Flow Rate: 1.2 gpm  
Spout Swivel: N  
Valve Material: Ceramic  
Water Pressure Maximum: 85.0 psi  
Water Pressure Minimum: 20.0 psi  
Water Pressure Recommended: 45.0 psi

### INSPIRATION

Modern bath designs infused with rare soul and artistry. Explore a range of statement-making elements: fittings, washstands, mirrors and more.

### PRODUCT FEATURES

Lever Handles

Includes European size push touch drain

Features Guilloche Lines combined with Enamel Handles

Stocked in Nickel and Brass

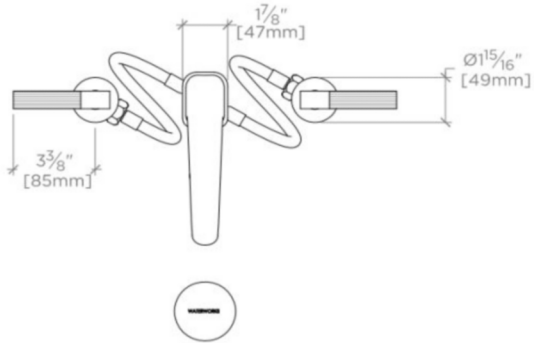
Available in 1.2gpm (4.5L/min) flow rate

# WATERWORKS

## BOND

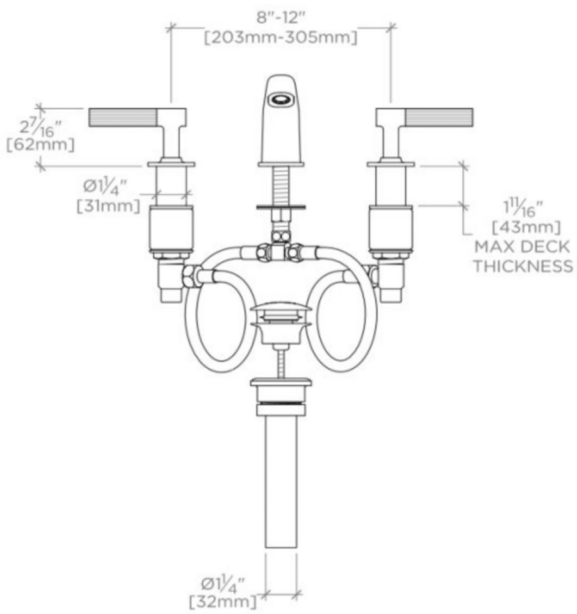
BLS12D

Bond Tandem Series Lavatory Faucet with Enamel Guilloche Lines  
Lever Handles



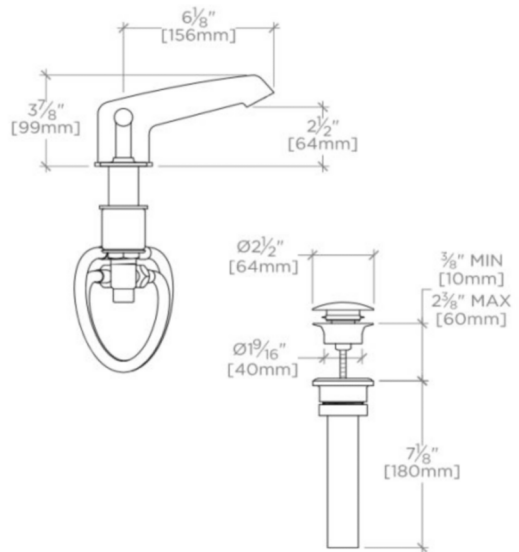
TOP VIEW

SCALE:  $1\frac{1}{2}"=1'-0"$



FRONT VIEW

SCALE:  $1\frac{1}{2}"=1'-0"$



SIDE VIEW

SCALE:  $1\frac{1}{2}"=1'-0"$