

### Features

- Single-speed whirlpool offers performance and value, with 6 fully adjustable jets.
- Hydromassage flow and direction can be controlled at each jet.
- Oval-shaped basin creates a graceful and spacious bathing experience.
- Molded lumbar support and armrests offer extra comfort while bathing.

### Material

- Acrylic.

### Hydrotherapy

- Whirlpool.

### Installation

- Reversible drain.
- Drop-in.

### Recommended Products/Accessories

- K-1284 Removable Apron
- K-24916 Wireless Music Kit
- K-1491 Bath/Whirlpool Pillow
- K-1601 Bath/Whirlpool Footstop
- K-706000-D3 Frameless Sliding Bath Door
- K-706000-L Frameless Sliding Bath Door
- K-706003-L Frameless Sliding Bath Door
- K-706004-D3 Frameless Sliding Bath Door
- K-706004-L Frameless Sliding Bath Door
- K-706007-L Frameless Sliding Bath Door
- K-23726 Drain treatment
- K-23732 Tub & shower cleaner
- K-37380 30" Rough-in Cable Bath Drain
- K-37383 Rough-in cable bath drain, PVC, 30" cable with tubing
- K-7265 Brass toe tap bath drain
- K-37386 rough-in cable drain, PVC, 30" cable
- K-7213 27" Cable Bath Drain
- K-7166-AF Bath Drain
- K-7161-AF 1-1/2" adjustable pop-up drain above- or through-floor
- K-7214 27" Cable Bath Drain
- K-7259 Brass toe tap bath drain



### Codes/Standards

ASME A112.19.7/CSA B45.10  
CSA B45.5/IAPMO Z124  
UL 1795

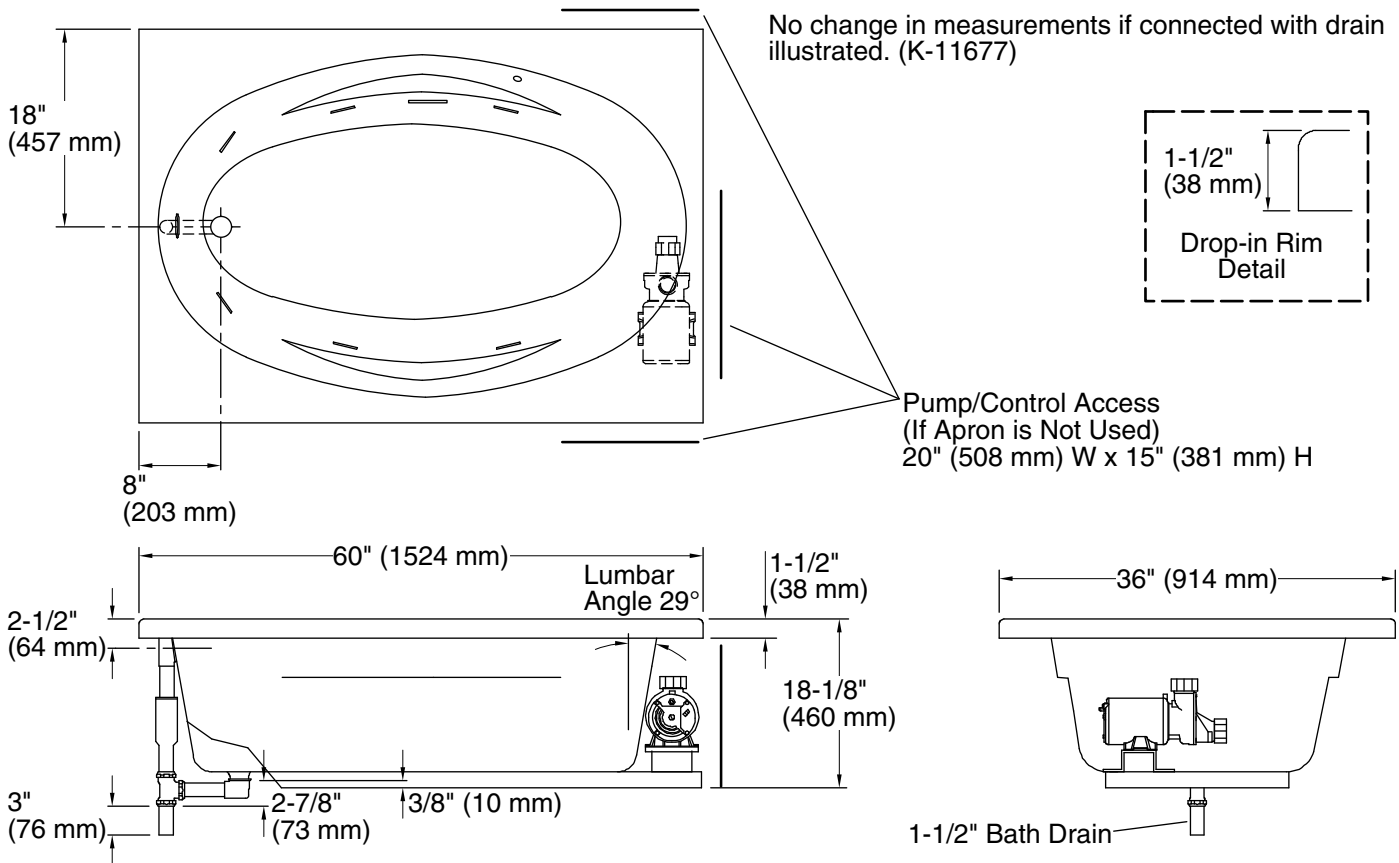
**KOHLER® Plastic Baths and Receptors  
Lifetime Limited Warranty  
KOHLER® Hydrotherapy Components  
Five-Year Limited Warranty**

See website for detailed warranty information.

### Available Colors/Finishes

*Color tiles intended for reference only.*

Color	Code	Description
	0	White
	96	Biscuit
	47	Almond



### Required Electrical Service

One dedicated circuit required, protected with Class A Ground-Fault Circuit-Interrupter (GFCI). Outside North America, this device may be known as a Residual Current Device (RCD).

Pump: 120 V, 15 A, 60 Hz

### Technical Information

All product dimensions are nominal.

Installation: Drop-in  
 Drain location: End  
 Basin area, bottom: 46" x 23" (1168 mm x 584 mm)  
 Basin area, top: 55" x 25" (1397 mm x 635 mm)  
 Weight: 55 lbs (24.9 kg)  
 Minimum floor load: 37 lbs/ft<sup>2</sup> (180.6 kg/m<sup>2</sup>)  
 Water depth: 14" (356 mm)  
 Water capacity: 57 gal (215.8 L)  
 Cutout: Drop-in, 58-1/2" x 34-1/2" (1486 mm x 876 mm)  
 Electrical component rating: Pump: 120 V, 7.5 A, 60 Hz  
 Pump speed: Single  
 Minimum flat for door: 2-3/4" (69 mm)

### Notes

Measure your actual product for rough-in details. Install this product according to the installation instructions.

The hot water supply should be 70% of the capacity of the bath or greater. Installations will vary.