

**E24155**



**Collection:** NO COLLECTION

**Finish\*:**



NF - Sans finition

**Main features:**



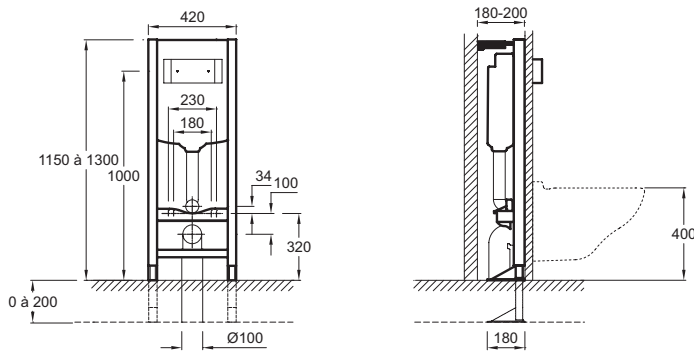
**Features**

- **DIMENSIONS:** 42 x 18 cm
- **MATERIAL:** 54
- **NORMS AND REGULATION:** NF
- **SINGLE/DUAL FLUSH:** Dual flush
- Activation plate not included
- **WEIGHT:** 17 kg
- **INSTALLATION TYPE:** Self-supporting or install in front of a wall, inside a lightweight partition or inside a service duct
- **VOLUME OF WATER:** Standard 3/6 L
- Supplied with wall fixings set (optional installation)

**Consumer benefits**

- **RESISTANT:** Steel frame withstanding a load of 400 kg, anti-corrosion treatment
- **SOUND COMFORT:** Quiet float valve, Class 1 NF acoustics
- **WATER EFFICIENCY:** Float valve with delayed refill, up to 9L of water saved daily

**Technical drawing**



Product Specification: Floor support frame. E24155. Collection: NO COLLECTION. DIMENSIONS: 42 x 18 cm. WEIGHT: 17 kg. MATERIAL: 54. INSTALLATION TYPE: Self-supporting or install in front of a wall, inside a lightweight partition or inside a service duct. NORMS AND REGULATION: NF. VOLUME OF WATER: Standard 3/6 L. SINGLE/DUAL FLUSH: Dual flush. Supplied with wall fixings set (optional installation). Activation plate not included.

*\*Due to possible variations in computer and printer calibrations, technical factors and certain finish characteristics, the colors you see may not accurately portray the actual colors and are provided as a guide only.*