



WE ARE IB

Collection

KITCHEN

Article

WI416

Description

Under window sink mixer with cast spout

Box Dimensions

580x370x75 mm

Weight

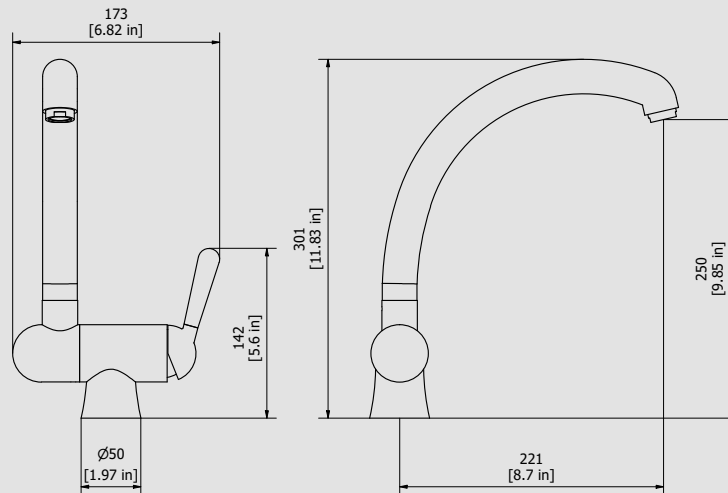
3.1 kg

Finishes

- CC** CHROME
- PL** PLATINUM
- SS** BRUSHED NICKEL
- ON** NATURAL BRASS
- BO** MATT WHITE
- NP** MATT BLACK
- CF** BLACK CHROME
- CS** BRUSHED BLACK CHROME
- II** PALE GOLD
- IS** BRUSHED PALE GOLD
- RS** ROSE GOLD
- SR** BRUSHED ROSE GOLD
- OO** GOLD
- OS** BRUSHED GOLD
- RR** ANTIQUE COPPER
- BB** ANTIQUE BRONZE



Dimensions



Cartridge

Ceramic cartridge Ø35

Threaded fitting

Inox hose M8x1 M G3/8" F DN6 L600

Aerator

M24x1

Flow Rate (+/-10%)

1 BAR	2 BAR	3 BAR
3 l/m	4.4 l/m	4.5 l/m

Production

Main body is a single hot stamped pieces

Material

BRASS
According to CuZn39Pb3 (CW614N)
Max Lead content: 2.5%

IB RUBINETTERIE s.p.a
via dei Pianotti 3/5
25068 Sarezzo (BS) - Italy -

T. +39 030 802101
F. +39 030 803097
info@weareib.it

P.IVA 01785230986
capitale sociale
€420.000,00 i.v.

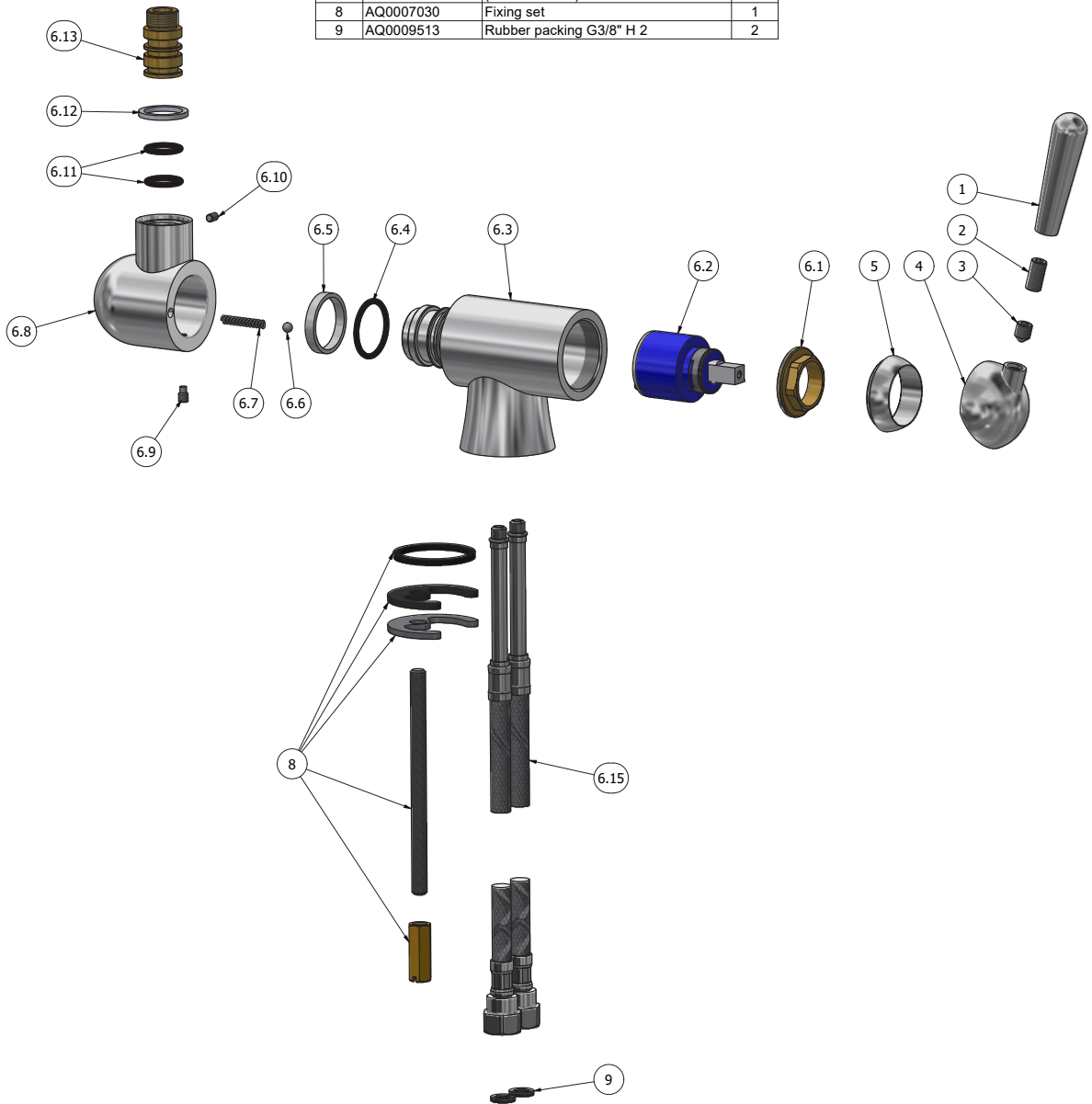
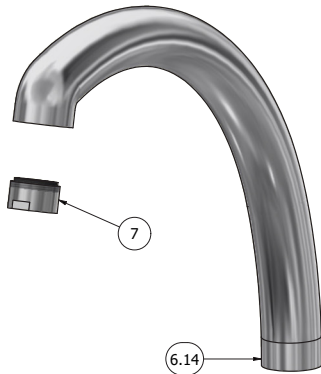
www.weareib.it





WE ARE IB

Elenco parti			
ELEM.	CODICE	NUMERO DI MAGAZZINO	QTÀ
1	AC0003336	Rod M8 L67	1
2	AQ0006931	Grubscrew M8x16 flat point	1
3	AQ0006634	Grubscrew M8x10 cone point	1
4	AQ0006593	Handle	1
5	AC0010066	Nut cover M37x1,5 Ø40.3 H13	1
6	CPKW1416CCX01	Preassembled sink mixer	1
6.1	AQ0001040	Cartridge ring nut M37x1.5 H9	1
6.2	AQ0010380	Ceramic cartridge Ø35 9x9	1
6.3	AC0006881	Mixer body	1
6.4	AQ0008027	OR 26.65x2.62 NBR 70 SH	1
6.5	AQ0006594	Antifriction ring Ø32xØ27.8 H5.2	1
6.6	AQ0007176	Sphere Ø5	1
6.7	AQ0007177	Spring	1
6.8	AC0006887	Rotating body WINDOW	1
6.9	AQ0007178	Grubscrew M5x8 half dog point	1
6.10	AQ0001081	Grubscrew M4x6 flat point	1
6.11	AQ0006719	OR 15.08x2.62 NBR 70 SH	2
6.12	AQ0007140	Antifriction ring Ø26 Ø20.3 H2.5	1
6.13	AS0006895	Connection piece Ø20xH34.5	1
6.14	AQ0013555	Spout-out for sink mixer	1
6.15	AQ0013440	Inox hose M8x1 M G3/8" F DN6 L600	2
7	AQ0000020	Aerator M24 x 1 perlator honeycomb (40200503301)	1
8	AQ0007030	Fixing set	1
9	AQ0009513	Rubber packing G3/8" H 2	2





WARRANTY

All IB Rubinetterie SpA products are warranted for 10 years from the date of purchase, for the following cases:

- Defects of casting, porosity and chrome plating.
- Operating defects caused by incorrect fabrication.

The warranty provides for repair or replacement of products with fabrication defects recognized by our technical office. There is no other type of compensation anche the merchandise must be returned FOB our warehouse. The warranty only cover surface defects (scatches, dings, etc.) on fitting that have not been installed and used, returned in its original packaging with all components. O-ring, gasket seals and components subject to wear proportional to use are warranted for 2 years.

The warranty is void in the following cases:

Error installing and putting the product into service.

Deterioration of finished surfaces due to use of cleaning products containing acids or abrasive substances. Deterioration of surface with finishes other than chrome plating. Their durability is, in fact, dependent on the user's care and gentleness of use.

Deterioration of the fitting due incorrect installation.

Improper repairs and maintenance performed without the company's prior authorization.

The warranty from IB Rubinetterie SpA is not renewable.

Cleaning

We recommended cleaning the finish surfaces with water and soap, using a soft cloth.

Do not use detergents that contain hydrochloric acid or abrasive substances.

