

BOND

BLS22A

Bond Tandem Series Gooseneck Lavatory Faucet with Guilloche Lines Lever Handles



TECHNICAL DETAILS

ADA Compliance: Yes
Deck Thickness Maximum: 1 11/16"
Deck Thickness Minimum: 1/4"
Drain Depth Maximum: 2 5/8"
Drain Hole Diameter: 1 3/4"
Drain Style: Push Touch
Fittings Hole Diameter: 1 3/8"
Handle Spread Maximum: 12"
Handle Spread Minimum: 8"
Handle Turn Angle: Quarter Turn
Drain Depth Minimum: 3/8"
Inlet Connection Size: 1/2"
Inlet Connection Type: Male with Supply Nut
Number of Holes: Three Hole
Primary Material: Brass
Restricted Maximum Flow Rate: 1.2 gpm
Spout Swivel: N
Valve Material: Ceramic
Water Pressure Maximum: 85.0 psi
Water Pressure Minimum: 20.0 psi
Water Pressure Recommended: 45.0 psi

INSPIRATION

Modern bath designs infused with rare soul and artistry. Explore a range of statement-making elements: fittings, washstands, mirrors and more.

PRODUCT FEATURES

Lever Handles

Includes European size push touch drain

Features Linear Guilloche Etching Handles

Stocked in Nickel and Brass

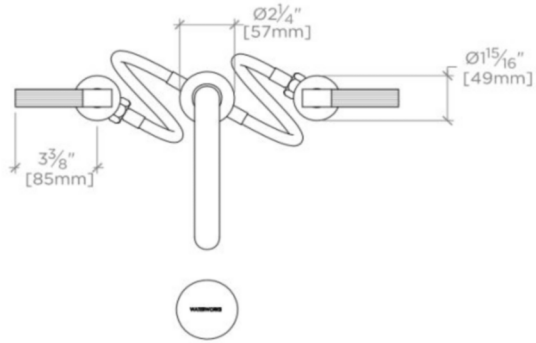
Available in 1.2gpm (4.5L/min) flow rate

WATERWORKS

BOND

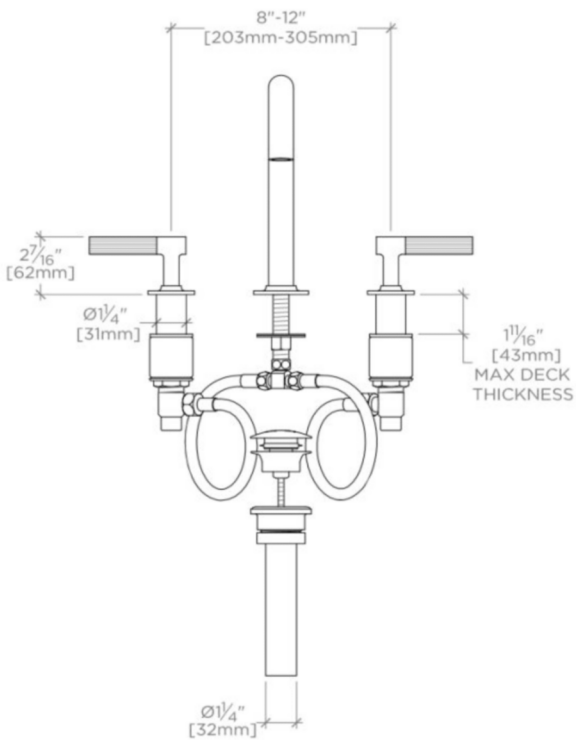
BLS22A

Bond Tandem Series Gooseneck Lavatory Faucet with Guilloche Lines Lever Handles



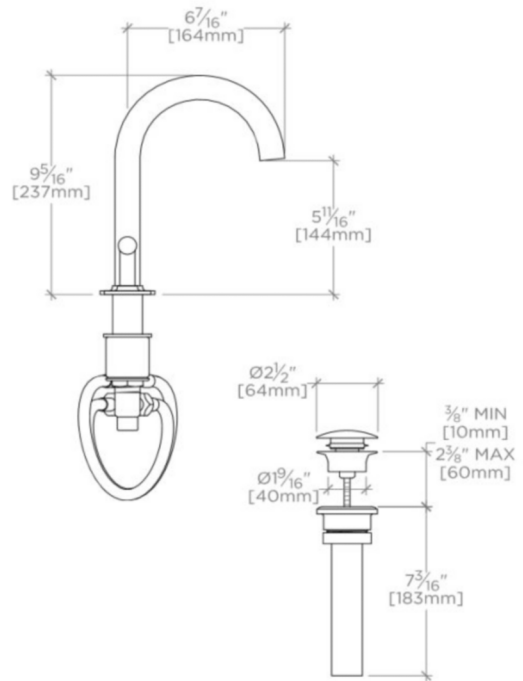
TOP VIEW

SCALE: $1\frac{1}{2}"=1'-0"$



FRONT VIEW

SCALE: $1\frac{1}{2}"=1'-0"$



SIDE VIEW

SCALE: $1\frac{1}{2}"=1'-0"$