

# WATERWORKS

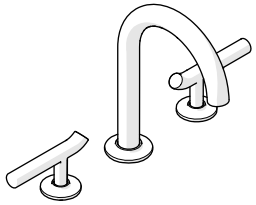
## INSTALLATION GUIDELINES

**STYLE No.** BLS210, BLS22A, BLS22B, BLS22C, BLS22D, BLS22E

Bond Gooseneck Lavatory Faucet with Lever Handles

**STYLE No.** BLS230, BLS24A, BLS24B, BLS24D, BLS25C

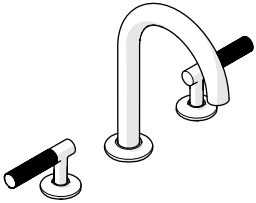
Bond Gooseneck Lavatory Faucet with Knob Handles



**STYLE No.** BLS210

Bond Solo Series Gooseneck Lavatory Faucet with Lever Handles

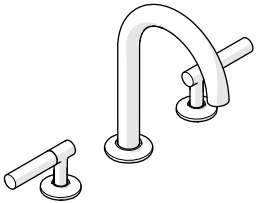
- **STYLE No.** BLS200  
Bond Gooseneck Lavatory Faucet (Less Handles)
- **STYLE No.** BLH010  
Bond Solo Series Lever Handle



**STYLE No.** BLS22A

Bond Tandem Series Gooseneck Lavatory Faucet with Guilloche Lines Lever Handles

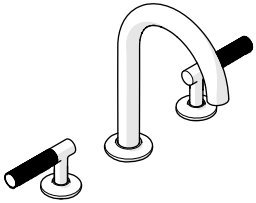
- **STYLE No.** BLS200  
Bond Gooseneck Lavatory Faucet (Less Handles)
- **STYLE No.** BLH02A  
Bond Tandem Series Guilloche Lines Lever Handle



**STYLE No.** BLS22B

Bond Tandem Series Gooseneck Lavatory Faucet with Two-Tone Lever Handles

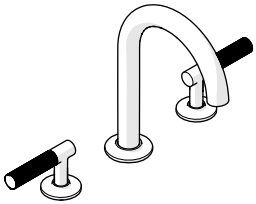
- **STYLE No.** BLS200  
Bond Gooseneck Lavatory Faucet (Less Handles)
- **STYLE No.** BLH02B  
Bond Tandem Series Two-Tone Lever Handle



**STYLE No.** BLS22C

Bond Union Series Gooseneck Lavatory Faucet with Guilloche Link Lever Handles

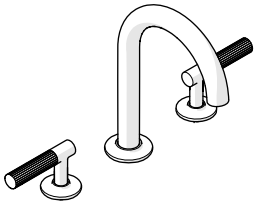
- **STYLE No.** BLS200  
Bond Gooseneck Lavatory Faucet (Less Handles)
- **STYLE No.** BLH02C  
Bond Union Series Guilloche Link Lever Handle



**STYLE No.** BLS22D

Bond Union Series Gooseneck Lavatory Faucet with Enamel Guilloche Lines Lever Handles

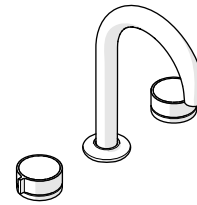
- **STYLE No.** BLS200  
Bond Gooseneck Lavatory Faucet (Less Handles)
- **STYLE No.** BLH02D  
Bond Union Series Enamel Guilloche Lines Lever Handle



**STYLE No.** BLS22E

Bond Union Series Gooseneck Lavatory Faucet Guilloche Pinstripe Lever Handles

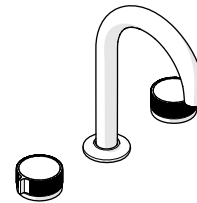
- **STYLE No.** BLS200  
Bond Gooseneck Lavatory Faucet (Less Handles)
- **STYLE No.** BLH02E  
Bond Union Series Guilloche Pinstripe Lever Handle



**STYLE No.** BLS230

Bond Solo Series Gooseneck Lavatory Faucet with Knob Handles

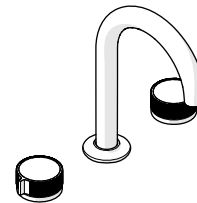
- **STYLE No.** BLS200  
Bond Gooseneck Lavatory Faucet (Less Handles)
- **STYLE No.** BKH030  
Bond Solo Series Knob Handle



**STYLE No.** BLS24A

Bond Tandem Series Gooseneck Lavatory Faucet with Guilloche Lines Knob Handles

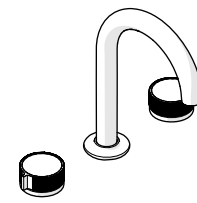
- **STYLE No.** BLS200  
Bond Gooseneck Lavatory Faucet (Less Handles)
- **STYLE No.** BKH04A  
Bond Tandem Series Guilloche Lines Knob Handle



**STYLE No.** BLS24B

Bond Tandem Series Gooseneck Lavatory Faucet with Two-Tone Guilloche Lines Knob Handles

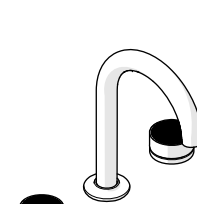
- **STYLE No.** BLS200  
Bond Gooseneck Lavatory Faucet (Less Handles)
- **STYLE No.** BKH04B  
Bond Tandem Series Two-Tone Guilloche Knob Handle



**STYLE No.** BLS24D

Bond Union Series Gooseneck Lavatory Faucet with Enamel Guilloche Lines Knob Handles

- **STYLE No.** BLS200  
Bond Gooseneck Lavatory Faucet (Less Handles)
- **STYLE No.** BKH04A  
Bond Tandem Series Guilloche Lines Knob Handle
- **STYLE No.** BKH00D  
Bond Union Series Enamel Index



**STYLE No.** BLS25C

Bond Union Series Gooseneck Lavatory Faucet with Guilloche Link Knob Handles

- **STYLE No.** BLS200  
Bond Gooseneck Lavatory Faucet (Less Handles)
- **STYLE No.** BKH05C  
Bond Union Series Guilloche Link Knob Handle

# WATERWORKS

## INSTALLATION GUIDELINES

STYLE No. BLS210, BLS22A, BLS22B, BLS22C, BLS22D, BLS22E

Bond Gooseneck Lavatory Faucet with Lever Handles

STYLE No. BLS230, BLS24A, BLS24B, BLS24D, BLS25C

Bond Gooseneck Lavatory Faucet with Knob Handles

### IMPORTANT:

- To ensure this product is installed properly, you must read and follow these guidelines.
- The owner/user of this product must keep this information for future reference.
- This product must be installed by a professional licensed contractor.
- Be sure your installation conforms to federal, state, and local codes. In the State of Massachusetts, all installations must comply with the rules and regulations set forth within 248 CMR.
- Inspect this product to ensure you have all the parts required for proper installation.
- Product is sold partially assembled but shown fully disassembled for illustrative and service purposes only.
- **CAUTION:** Use only a strap wrench or protected/smooth-jaw wrench on ANY finished surface.
- **CAUTION:** This product is supplied with a DRAIN that is **NOT** compatible with SINKS that have a 1-1/2" [38mm] drain hole. A 1-3/4" drain hole is **REQUIRED**.
- The use of certain plumber's putty may stain stone or tile surfaces.
- If further assistance is required, please contact Product Support at 1-800-927-2120 Monday through Friday, 8am - 6pm EST.
- Refer to the separate Service Parts Documents for available replacement parts.

### TECHNICAL DETAILS:

DETAIL	SPECIFICATION
DECK THICKNESS MAXIMUM	1-11/16" [43mm]
DECK THICKNESS MINIMUM	1/4" [6mm]
DRAIN DEPTH MAXIMUM	2-5/8" [67mm]
DRAIN DEPTH MINIMUM	3/8" [10mm]
DRAIN HOLE DIAMETER	Ø1-3/4" [44mm]
DRAIN STYLE	PUSH-TOUCH
FITTINGS HOLE DIAMETER	Ø1-3/8" [35mm]
HANDLE SPREAD MAXIMUM	12" [305mm]
HAND SPREAD MINIMUM	8" [203mm]
HANDLE TURN ANGLE	QUARTER TURN
INLET CONNECTION	1/2" MALE WITH SUPPLY NUT
SPOUT REACH	6-7/16" [164mm]
WATER PRESSURE MAXIMUM	85psi [6.0 bar]
WATER PRESSURE MINIMUM	20psi [1.5 bar]
WATER PRESSURE RECOMMENDED	45psi [3.0 bar]

# WATERWORKS

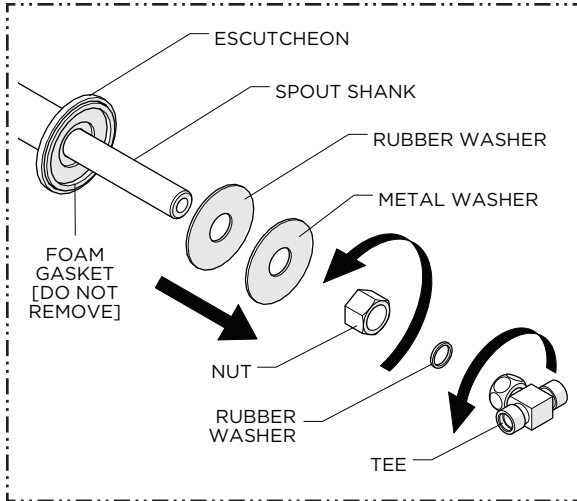
## INSTALLATION GUIDELINES

STYLE No. BLS210, BLS22A, BLS22B, BLS22C, BLS22D, BLS22E

Bond Gooseneck Lavatory Faucet with Lever Handles

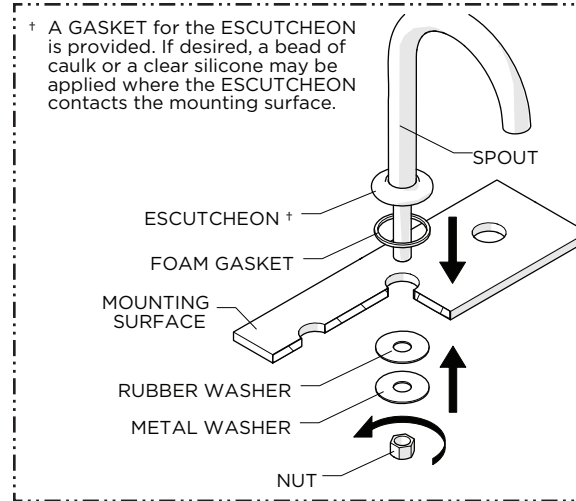
STYLE No. BLS230, BLS24A, BLS24B, BLS24D, BLS25C

Bond Gooseneck Lavatory Faucet with Knob Handles

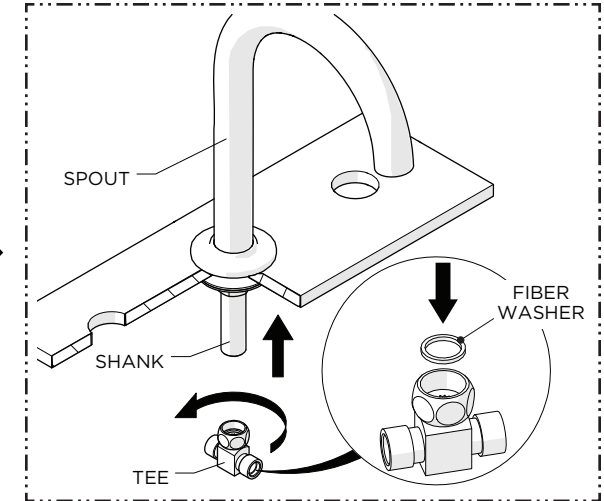


1. Remove the TEE, NUT and LOWER DECK WASHERS from the SPOUT SHANK.

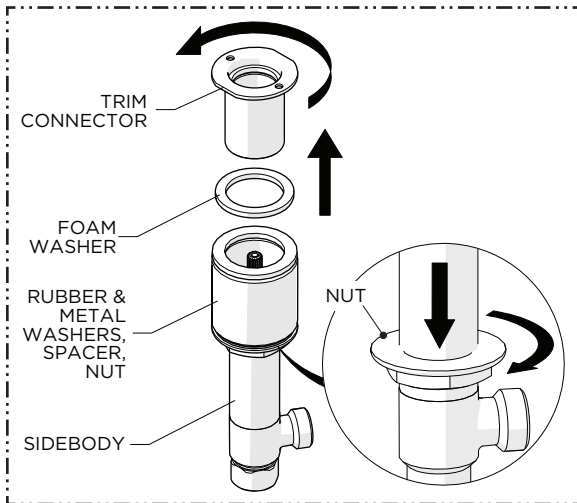
**NOTE:** Do **NOT** remove the FOAM GASKET beneath the ESCUTCHEON or discard the FIBER WASHER provided with the TEE.



2. Insert the SHANK through the hole on the mounting surface, making sure the FOAM GASKET is beneath the ESCUTCHEON, then re-install the LOWER DECK WASHERS and securely tighten the NUT.

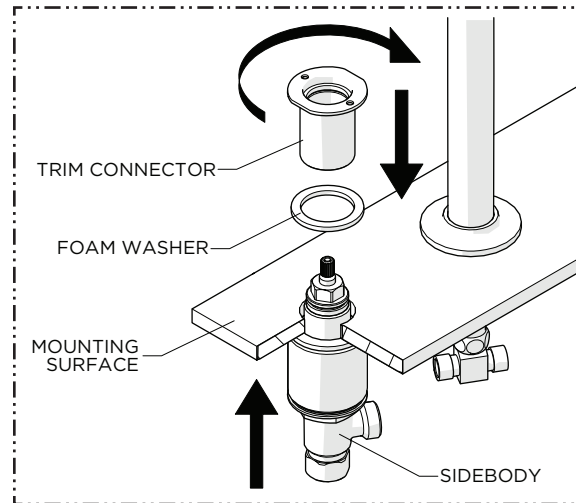


3. Thread and securely tighten the TEE onto the SHANK making sure to use the FIBER WASHER provided.

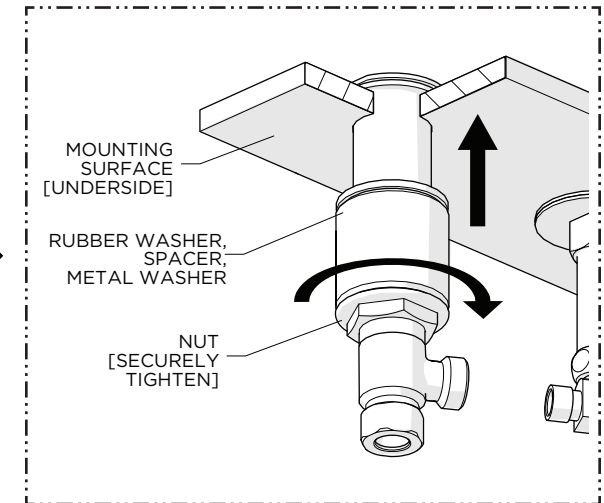


4. Unthread and remove the TRIM CONNECTOR and FOAM WASHER from the SIDEBODY then fully thread the NUT down the SIDEBODY.

**NOTE:** Do **NOT** remove the LOWER DECK WASHERS and SPACER.



5. Using the FOAM WASHER provided, thread the TRIM CONNECTOR back onto the SIDEBODY until it stops then let it rest on the mounting surface.



6. Ensure the SIDEBODY is positioned so the SUPPLY HOSE can be easily connected to the TEE then thread and securely tighten the NUT against the underside of the mounting surface.

**NOTE:** Repeat steps 4 - 6 to install the 2ND SIDEBODY.

# WATERWORKS

## INSTALLATION GUIDELINES

STYLE No. BLS210, BLS22A, BLS22B, BLS22C, BLS22D, BLS22E

Bond Gooseneck Lavatory Faucet with Lever Handles

STYLE No. BLS230, BLS24A, BLS24B, BLS24D, BLS25C

Bond Gooseneck Lavatory Faucet with Knob Handles

### STEPS 7 - 8 FOR KNOB HANDLE ONLY

7. Remove the INDICE, center SCREW and KNOB HANDLE from the ESCUTCHEON. Do **NOT** remove the internal SPRING.

**NOTE:** To remove the INDICE push down on and rotate it 45° then release.

8. Fully thread the ESCUTCHEON into the TRIM CONNECTOR, place the KNOB onto the HANDLE STEM, thread and securely tighten the SCREW, and re-attach the INDICE.

**NOTE:** Repeat steps 7 - 8 to install **2ND** HANDLE.

PROCEED TO  
STEP 11

### STEPS 9 - 10 FOR LEVER HANDLE ONLY

9. **CAREFULLY** slide the ESCUTCHEON up the LEVER HANDLE to expose the UNION NUT then thread the NUT into the TRIM CONNECTOR until it stops.

10. **CAREFULLY** slide the ESCUTCHEON down the LEVER HANDLE to conceal the TRIM CONNECTOR.

**NOTE:** Repeat steps 9 - 10 to install **2ND** HANDLE.

PROCEED TO  
STEP 11

# WATERWORKS

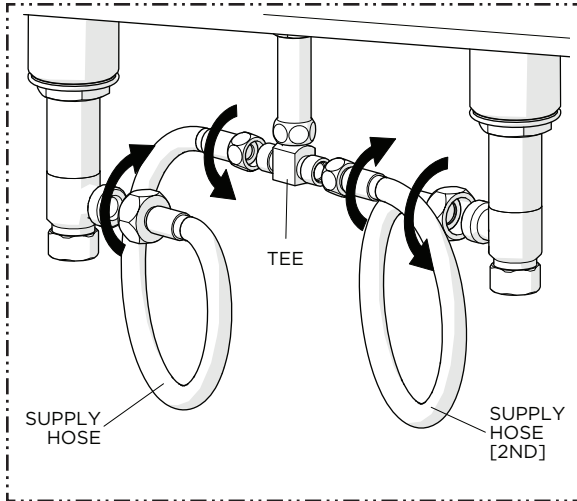
## INSTALLATION GUIDELINES

STYLE No. BLS210, BLS22A, BLS22B, BLS22C, BLS22D, BLS22E

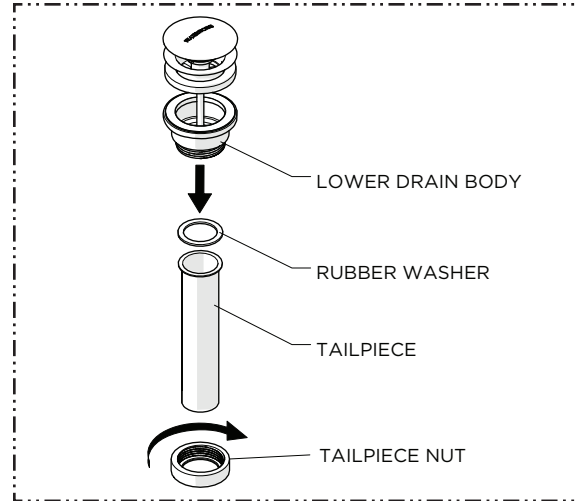
Bond Gooseneck Lavatory Faucet with Lever Handles

STYLE No. BLS230, BLS24A, BLS24B, BLS24D, BLS25C

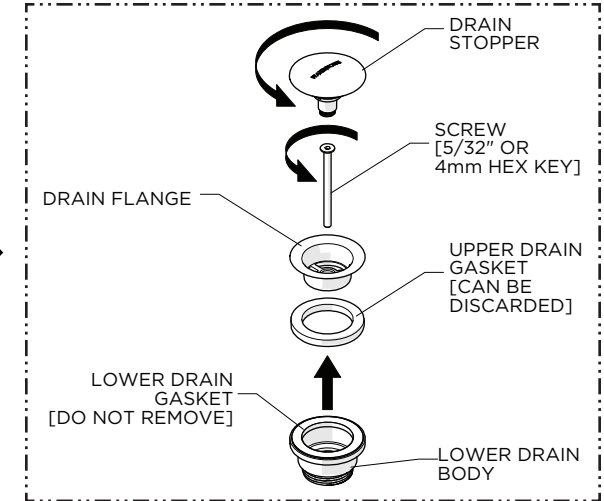
Bond Gooseneck Lavatory Faucet with Knob Handles



11. Connect the SIDEBODIES to the TEE using the SUPPLY HOSES provided. Securely tighten the HOSES and ensure they are not pinched/kinked.

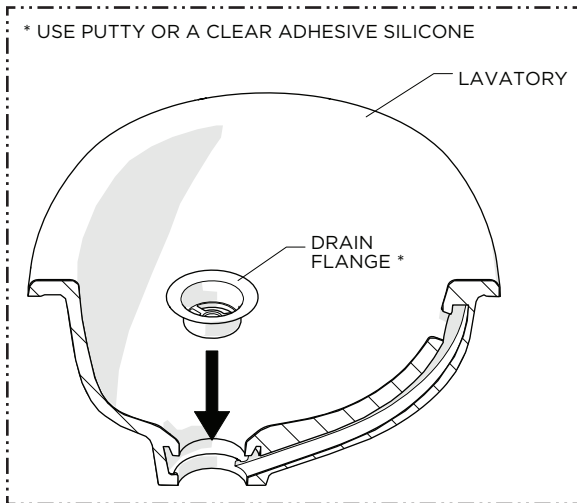


12. Unthread and remove the NUT, TAILPIECE, and RUBBER WASHER from the LOWER DRAIN BODY.

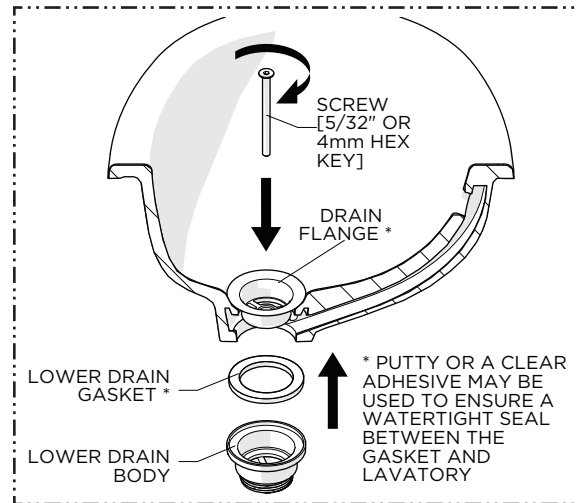


13. Unthread and remove the DRAIN STOPPER and LOWER DRAIN BODY from the DRAIN FLANGE.

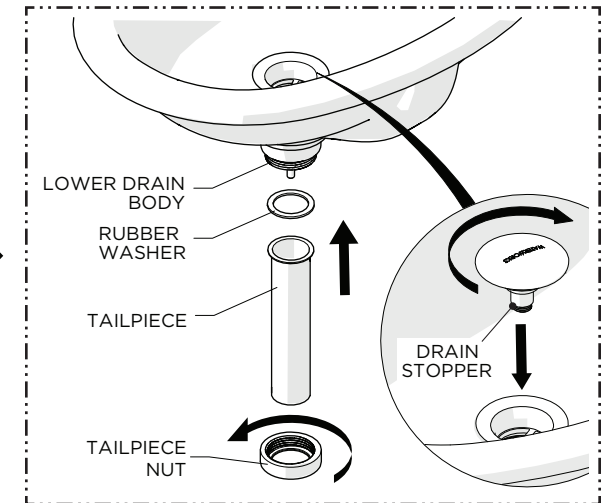
**NOTE:** Do NOT remove or discard the LOWER DRAIN GASKET.



14. Set the DRAIN FLANGE into the LAVATORY (sold separately) using putty or a clear adhesive silicone.



15. Using the LOWER DRAIN GASKET and SCREW provided, re-attach the LOWER DRAIN BODY to the FLANGE. Ensure the GASKET makes a full seal on the underside of the LAVATORY then securely tighten the SCREW.



16. Re-install the DRAIN STOPPER and TAILPIECE using the WASHER and NUT provided.

# WATERWORKS

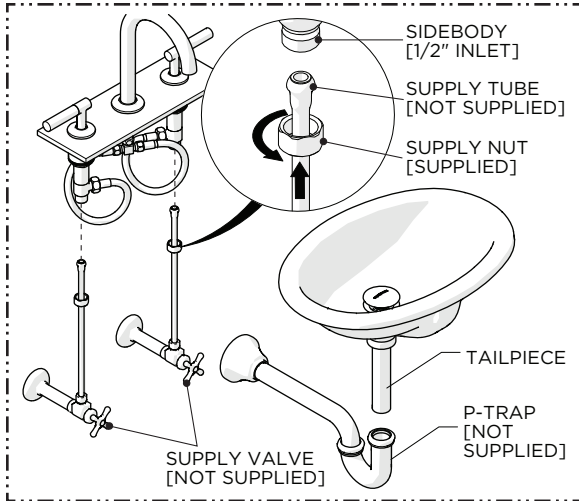
## INSTALLATION GUIDELINES

STYLE No. BLS210, BLS22A, BLS22B, BLS22C, BLS22D, BLS22E

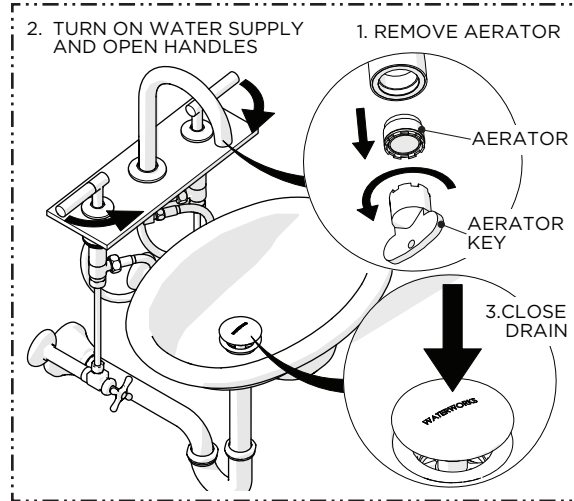
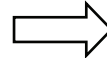
Bond Gooseneck Lavatory Faucet with Lever Handles

STYLE No. BLS230, BLS24A, BLS24B, BLS24D, BLS25C

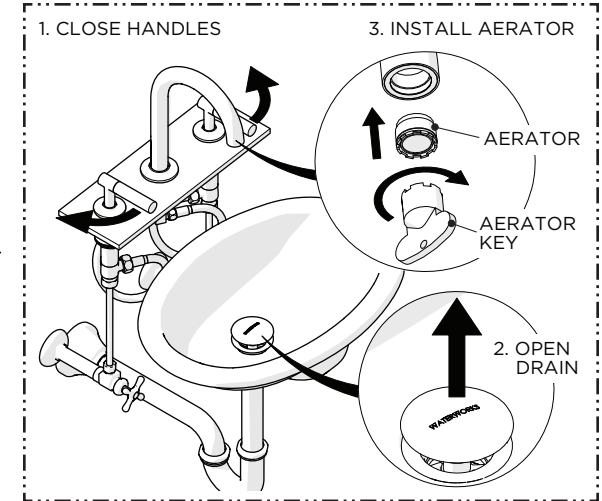
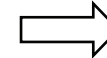
Bond Gooseneck Lavatory Faucet with Knob Handles



17. Make final P-TRAP (sold separately) and SUPPLY VALVE (sold separately) connections.



18. Remove the AERATOR, turn on the water supply and open the HANDLES to flush out the supply lines, and inspect all connections for leaks then close the DRAIN to ensure it functions properly.



19. Close the HANDLES, open the DRAIN to drain the water, and re-install the AERATOR.