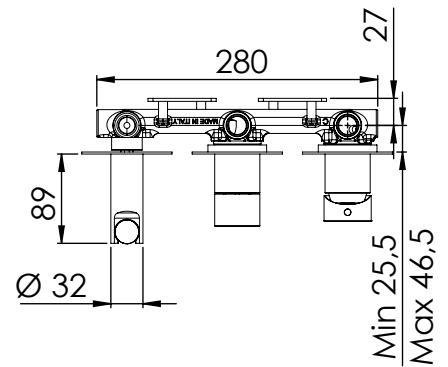
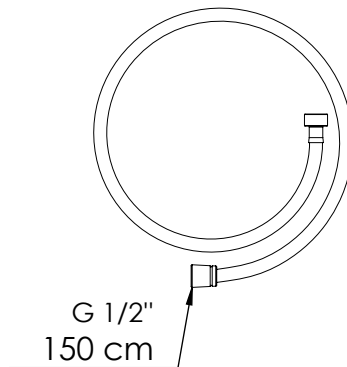
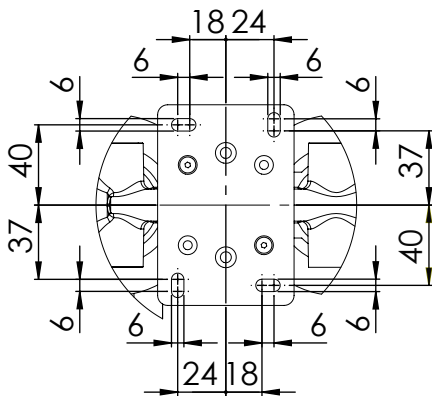
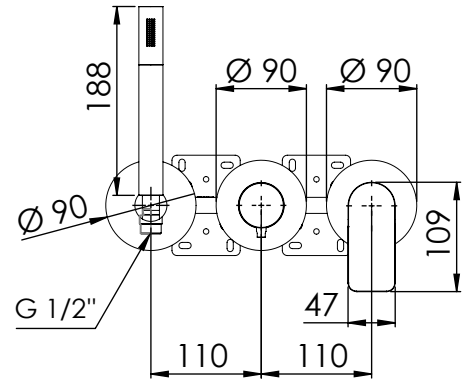
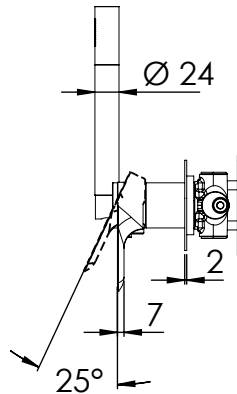
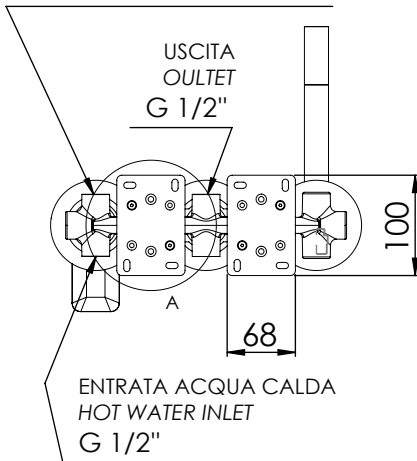


ENTRATA ACQUA FREDDA  
COLD WATER INLET  
G 1/2"



**MATERIALI / MATERIALS**

OTTONE CROMATO / CHROME PLATED BRASS

**CROMATURA / CHROME PLATING**

UNI EN 248