

E72358



**Collection:** ALEO+

**Finish\*:**



CP - Chrome

**Main features:**



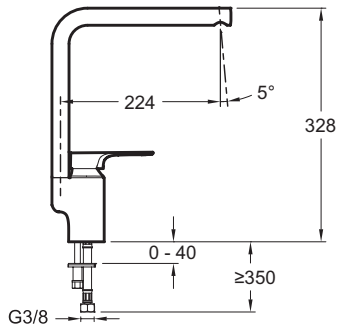
## Features

- WEIGHT: 1.3 kg
- INSTALLATION TYPE: 1 hole
- TYPE: Single-lever
- HEIGHT UNDER SPOUT: 328
- CONNECTION: With supply hoses
- WASTE : Without waste
- SPOUT TYPE: PIVOT SPOUT
- INSTALLATION TYPE: 1 hole
- DRILLING: Drilling  $\varnothing$  35 mm
- MATERIAL: Metal
- NORMS AND REGULATION: ACS : 11 ACC LY 540
- FLOW RATE: 10 l/mn
- SPOUT PROJECTION: 224
- WATER/ENERGY-SAVING: WATER-SAVING
- TYPE OF KITCHEN TAP: MECHANICAL
- SINGLE-LEVER TAP: SINGLE-LEVER MIXER
- MECHANISM GUARANTEE: 5 years

## Consumer benefits

- ANTI-SCALE: Aerator included

## Technical drawing



Product Specification: Single-lever kitchen sink mixer. E72358. Collection: ALEO+. WEIGHT: 1.3 kg. MATERIAL: Metal. INSTALLATION TYPE: 1 hole. NORMS AND REGULATION: ACS : 11 ACC LY 540. TYPE: Single-lever. FLOW RATE: 10 l/mn. HEIGHT UNDER SPOUT: 328. SPOUT PROJECTION: 224. CONNECTION: With supply hoses. WATER/ENERGY-SAVING: WATER-SAVING. WASTE : Without waste. TYPE OF KITCHEN TAP: MECHANICAL. SPOUT TYPE: PIVOT SPOUT. SINGLE-LEVER TAP: SINGLE-LEVER MIXER. INSTALLATION TYPE: 1 hole. MECHANISM GUARANTEE: 5 years. DRILLING: Drilling  $\varnothing$  35 mm.