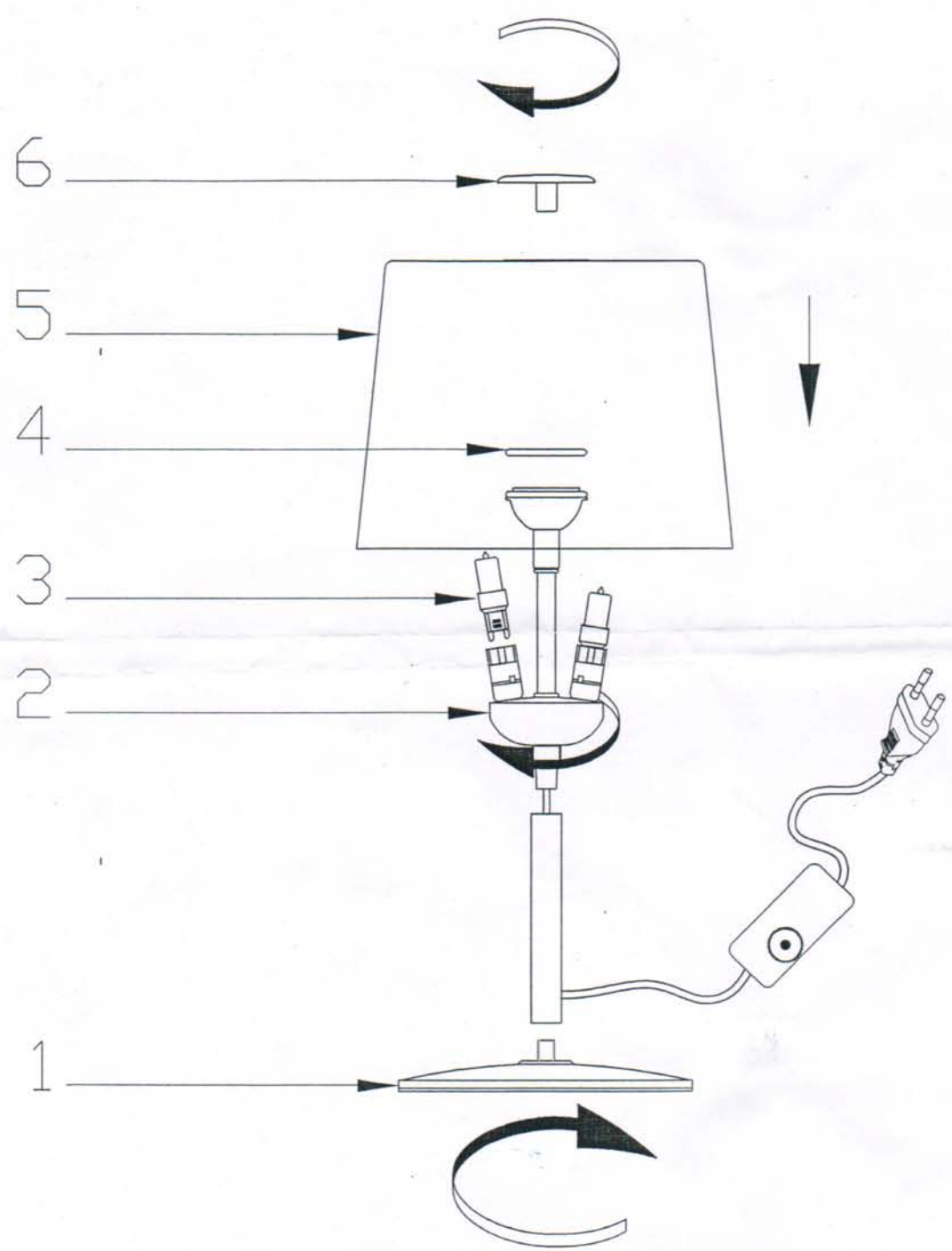


INSTALLATION INSTRUCTION

Item No. : 2328/016



FEATURE

● Lamp Type: G9 2 x Max. 40W 220-240V~