

E98325



Collection: JULY

Finish*:



CP - Chrome

Main features:



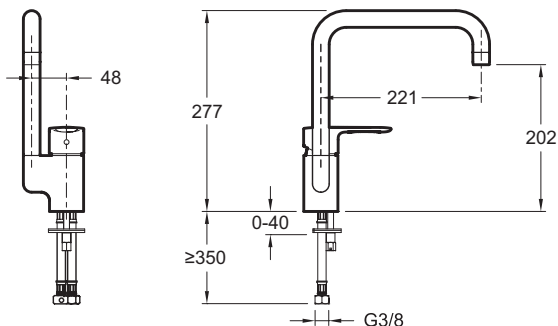
Features

- WEIGHT: 1.4 kg
- INSTALLATION TYPE: 1 hole
- TYPE: Single-lever
- CONNECTION: With supply hoses
- WATER/ENERGY-SAVING: WATER & ENERGY-SAVING
- TYPE OF KITCHEN TAP: MECHANICAL
- INSTALLATION TYPE: 1 hole
- DRILLING: Drilling Ø 35 mm
- MATERIAL: Metal
- NORMS AND REGULATION: NF : I - ECAU : E0 C3 A2 U3 - Ge5
- FLOW RATE: 9 l/min under 3 bar
- MECHANISM: C3 ceramic disc water- and energy-efficient cartridge (cold water delivery at onset with lever in center position)
- WASTE : Without waste
- SPOUT TYPE: Pivot spout
- MECHANISM GUARANTEE: 5 years
- Swivel tube spout

Consumer benefits

- ANTI-SCALE: Aerator included
- Sensitive flow control

Technical drawing



Product Specification: Single-lever kitchen sink mixer, tube spout - C3 cartridge. E98325. Collection: JULY. WEIGHT: 1.4 kg. MATERIAL: Metal. INSTALLATION TYPE: 1 hole. NORMS AND REGULATION: NF : I - ECAU : E0 C3 A2 U3 - Ge5. TYPE: Single-lever. FLOW RATE: 9 l/min under 3 bar. CONNECTION: With supply hoses. MECHANISM: C3 ceramic disc water- and energy-efficient cartridge (cold water delivery at onset with lever in center position). WATER/ENERGY-SAVING: WATER & ENERGY-SAVING. WASTE : Without waste. TYPE OF KITCHEN TAP: MECHANICAL. SPOUT TYPE: Pivot spout. INSTALLATION TYPE: 1 hole. MECHANISM GUARANTEE: 5 years. DRILLING: Drilling Ø 35 mm. Swivel tube spout.

**Due to possible variations in computer and printer calibrations, technical factors and certain finish characteristics, the colors you see may not accurately portray the actual colors and are provided as a guide only.*