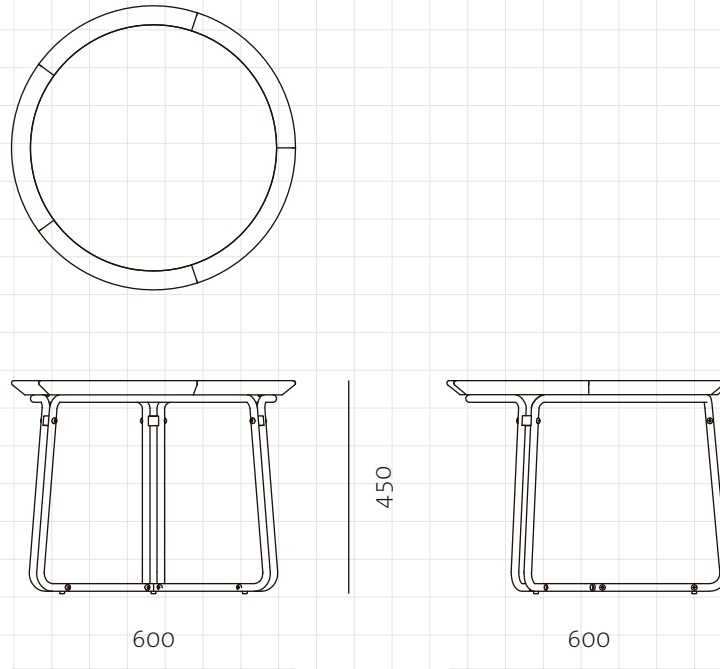


QT Coffee Table C600



CODE

QT-T210-600

DIMENSIONS

W600 x D600 x H450mm

NET WEIGHT

7.0 kg

ENVIRONMENT

Indoor

MATERIALS

Veneer laminate top, Powder coated steel base, Brass plated stainless steel connectors

*Please refer to website or contact your local representative for complete material swatches.

SHIPPING

Package	Assembled		
Package Qty	1 pcs/box		
Packaging	Measurement (mm)	Volume (cbm)	Gross Weight (kg)
FCL	W665 x D665 x H535	0.24	11.0
LCL/AIR	W685 x D685 x H630	0.30	17.0