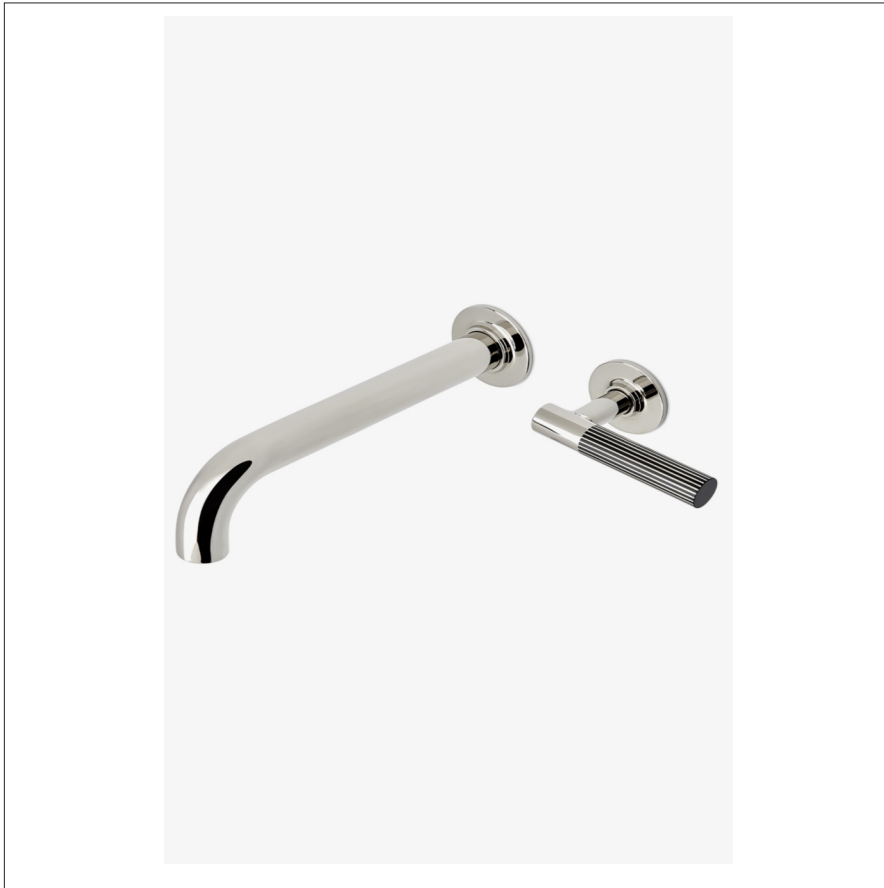


BOND

BLS32E

Bond Union Series Wall Mounted Lavatory Faucet with Guilloche Pinstripe Single Lever Handle



TECHNICAL DETAILS

ADA Compliance: Yes
Control Valve Rough-in Depth Maximum: 5 1/4"
Control Valve Rough-in Depth Minimum: 2 3/4"
Drain Depth Maximum: 2 5/8"
Drain Hole Diameter: 1 3/4"
Drain Style: Push Touch
Drain Style: Push Touch
Fittings Hole Diameter: 1 3/8"
Handle Turn Angle: Quarter Turn
Drain Depth Minimum: 3/8"
Inlet Connection Size: 1/2"
Inlet Connection Type: Female NPT
Number of Holes: Two Hole
Primary Material: Brass
Restricted Maximum Flow Rate: 1.2 gpm
Spout Swivel: N
Valve Material: Ceramic
Water Pressure Maximum: 85.0 psi
Water Pressure Minimum: 20.0 psi
Water Pressure Recommended: 45.0 psi

INSPIRATION

Modern bath designs infused with rare soul and artistry. Explore a range of statement-making elements: fittings, washstands, mirrors and more.

PRODUCT FEATURES

Lever Handle

Includes European size push touch drain

Features Guilloche Lines combined with Pinstripe Handle

Stocked in Nickel and Brass

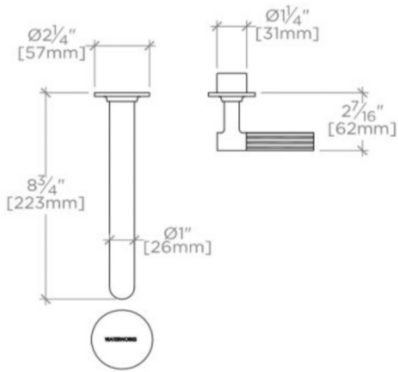
Available in 1.2gpm (4.5L/min) flow rate; Requires rough valve, sold separately: GULV29

WATERWORKS

BOND

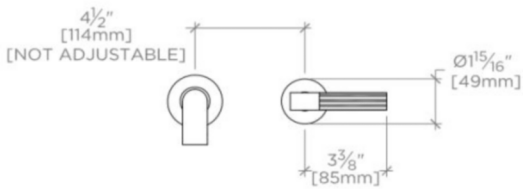
BLS32E

Bond Union Series Wall Mounted Lavatory Faucet with Guilloche Pinstripe Single Lever Handle



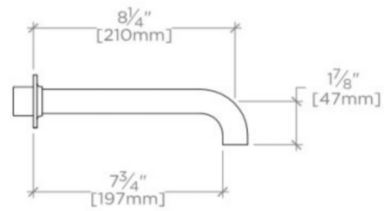
TOP VIEW

SCALE: $1\frac{1}{2}"=1'-0"$



FRONT VIEW

SCALE: $1\frac{1}{2}"=1'-0"$



SIDE VIEW

SCALE: $1\frac{1}{2}"=1'-0"$

