

PAN

ZP6800

Termostatico incasso doccia con rubinetto d'arresto. / Built-in thermostatic shower mixer, stop valve.



Termostatico incasso doccia da 1/2" con rubinetto d'arresto, per corpo incasso universale Zetasystem R97800.


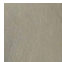


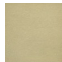

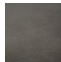



1/2" built-in thermostatic shower mixer, with stop valve. For Zetasystem (R97800) universal built-in body.

R97800

Zetasystem - Corpo incasso universale /
Zetasystem - universal built-in body



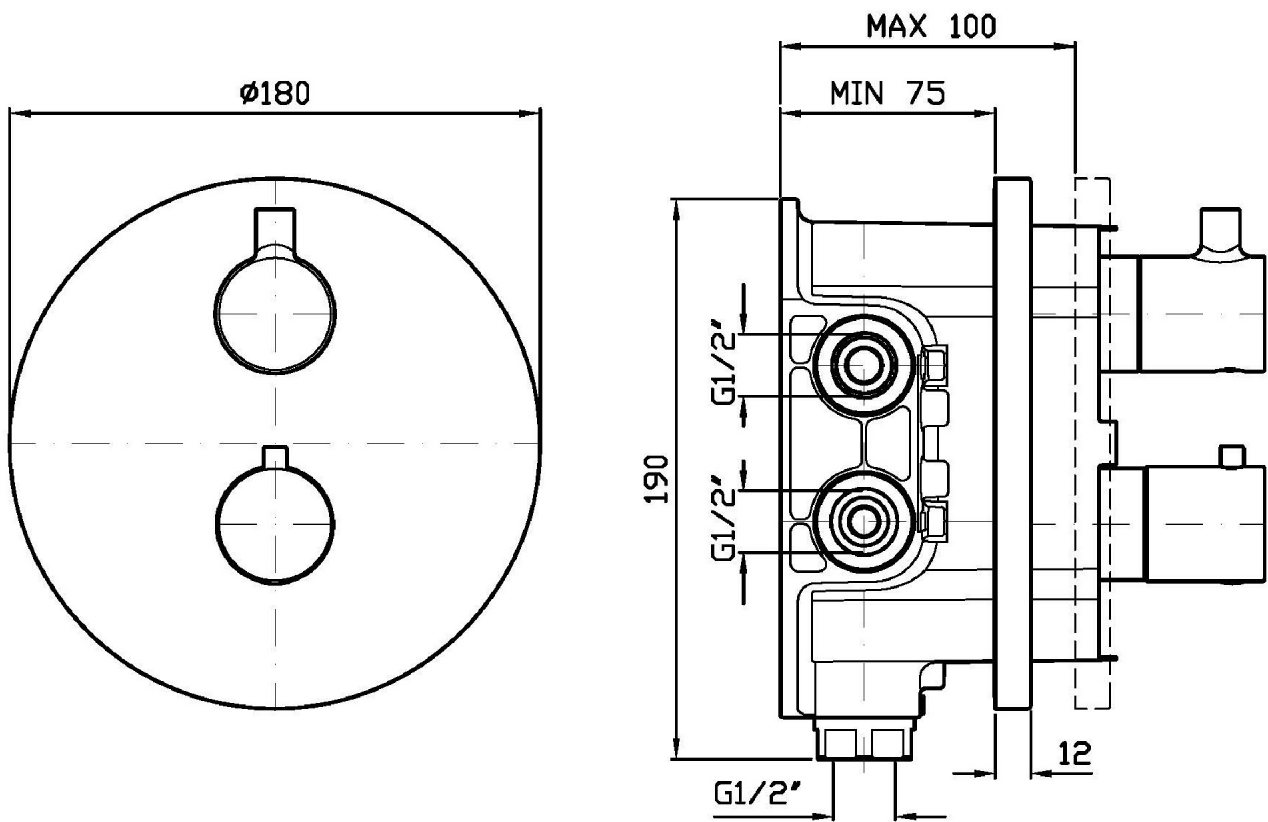
Finiture / Finishes

						
Cromo / Chrome	Nickel Spazzolato / Brushed Nickel	Nickel Lucido / Polished Nickel	Oro / Gold	Oro spazzolato / Brushed Gold	Metal Black / Metal Black	Metal Black spazzolato / Brushed Metal Black
						
Bianco Opaco Goffrato / Embossed Matt White	Nero Opaco Goffrato / Embossed Matt Black	Nero Soft Touch / Soft Touch Black				

PAN

ZP6800

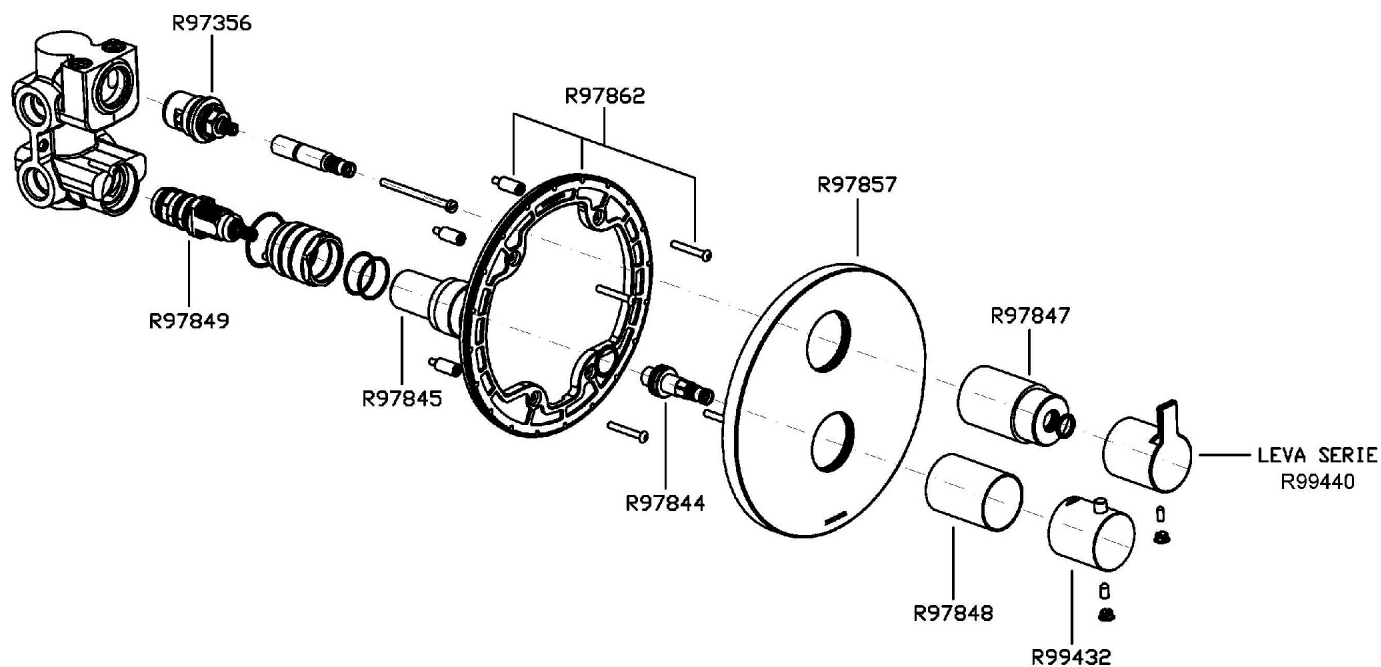
Disegno Complessivo / Overall Drawing



PAN

ZP6800

Esplosi / Exploded

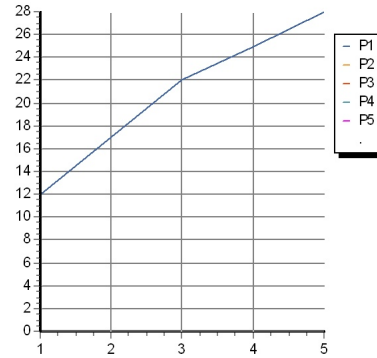


PAN

ZP6800

Portate / Flowrates (lt/min)

PRESSIONE PRESSURE	1 BAR	2 BAR	3 BAR	4 BAR	5 BAR
USCITA PRIMARIA PRIMARY OUTLET <i>P1</i>	12	17	22	25	28
<i>P2</i>					
<i>P3</i>					
<i>P4</i>					
<i>P5</i>					



PAN

ZP6800

Pesi e Misure / Weights and Sizes

Peso (Kg) Weight (lb)	3,85 (Kg)	8,49 (lb)
Volume test (dc3) - (in3)	7,50 (dc3)	457,68 (in3)
h (mm) - (in)	90,00 (mm)	3,54 (in)
L1 (mm) - (in)	250,00 (mm)	9,84 (in)
L2 (mm) - (in)	333,00 (mm)	13,11 (in)

