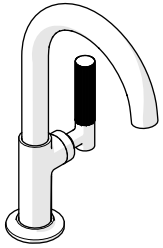


WATERWORKS

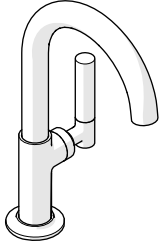
INSTALLATION GUIDELINES

STYLE No. BLS47A, BLS47B, BLS47C, BLS47D, BLS47E
Bond One Hole Lavatory Faucet with Lever Handle



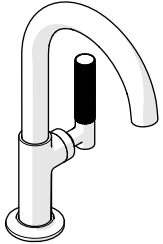
STYLE No. BLS47A
Bond Tandem Series One Hole Lavatory Faucet with Guilloche Lines Lever Handle

- **STYLE No. BLS400**
Bond One-Hole Gooseneck Lavatory Faucet (Less Handle)
- **STYLE No. BLH07A**
Bond Tandem Series Guilloche Lines Lever Handle with Gland Cover



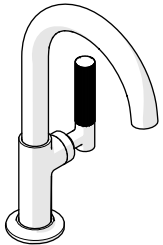
STYLE No. BLS47B
Bond Tandem Series One Hole Lavatory Faucet with Two-Tone Lever Handle

- **STYLE No. BLS400**
Bond One-Hole Gooseneck Lavatory Faucet (Less Handle)
- **STYLE No. BLH07B**
Bond Tandem Series Two-Tone Lever Handle with Gland Cover



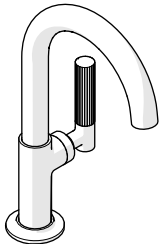
STYLE No. BLS47C
Bond Union Series One Hole Lavatory Faucet with Guilloche Link Lever Handle

- **STYLE No. BLS400**
Bond One-Hole Gooseneck Lavatory Faucet (Less Handle)
- **STYLE No. BLH07C**
Bond Union Series Guilloche Link Lever Handle with Gland Cover



STYLE No. BLS47D
Bond Union Series One Hole Lavatory Faucet with Enamel Guilloche Lines Lever Handle

- **STYLE No. BLS400**
Bond One-Hole Gooseneck Lavatory Faucet (Less Handle)
- **STYLE No. BLH07D**
Bond Union Series Enamel Guilloche Lines Lever Handle with Gland Cover



STYLE No. BLS47E
Bond Union Series One Hole Lavatory Faucet with Guilloche Pinstripe Lever Handle

- **STYLE No. BLS400**
Bond One-Hole Gooseneck Lavatory Faucet (Less Handle)
- **STYLE No. BLH07E**
Bond Union Series Guilloche Pinstripe Lever Handle with Gland Cover

IMPORTANT:

- To ensure this product is installed properly, you must read and follow these guidelines.
- The owner/user of this product must keep this information for future reference.
- This product must be installed by a professional licensed contractor.
- Be sure your installation conforms to all federal, state, and local codes. In the State of Massachusetts, all installations must comply with the rules and regulations set forth within 248 CMR.
- Inspect this product to ensure you have all the parts required for proper installation.
- This product is sold partially assembled but shown fully disassembled for illustrative and service purposes only.
- **CAUTION:**
 - This product is supplied with a DRAIN that is not compatible with SINKS that have a 1-1/2" [38mm] drain hole. A 1-3/4" [44mm] drain hole is required.
 - Flushing the SUPPLY VALVES (sold separately) prior to installing the LAVATORY FAUCET is recommended. Flushing can prevent damage to the CARTRIDGE and other internal components.
- Use only a strap wrench or protected/smooth-jaw wrench on any finished surface.
- The use of certain plumber's putty may stain stone or tile surfaces.
- If further assistance is required, please contact Product Support at 1-800-927-2120 Monday through Friday, 8am - 6pm EST.
- Refer to the separate Service Parts Documents for available replacement parts.

WATERWORKS

INSTALLATION GUIDELINES

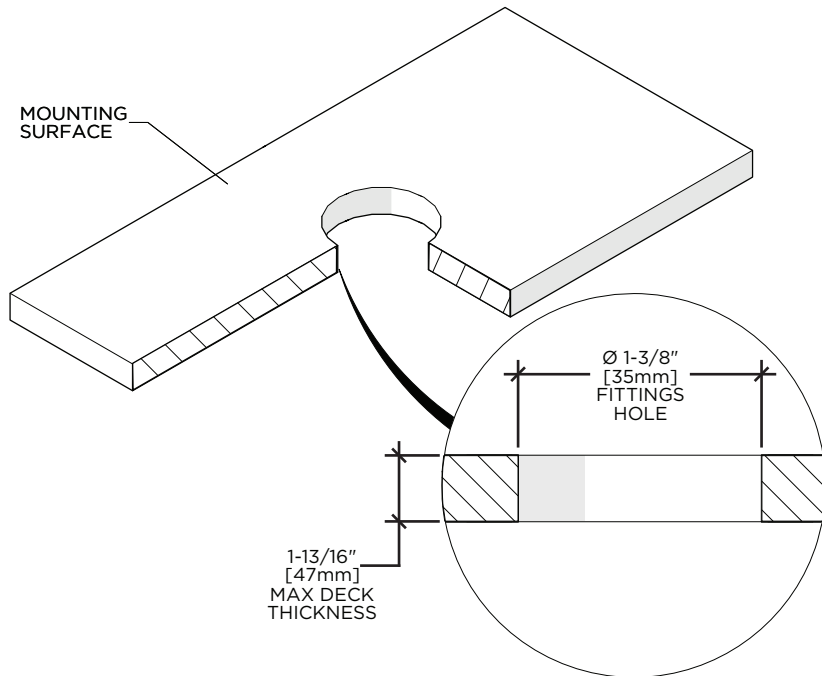
STYLE No. BLS47A, BLS47B, BLS47C, BLS47D, BLS47C

Bond One Hole Lavatory Faucet with Lever Handle

TECHNICAL DETAILS:

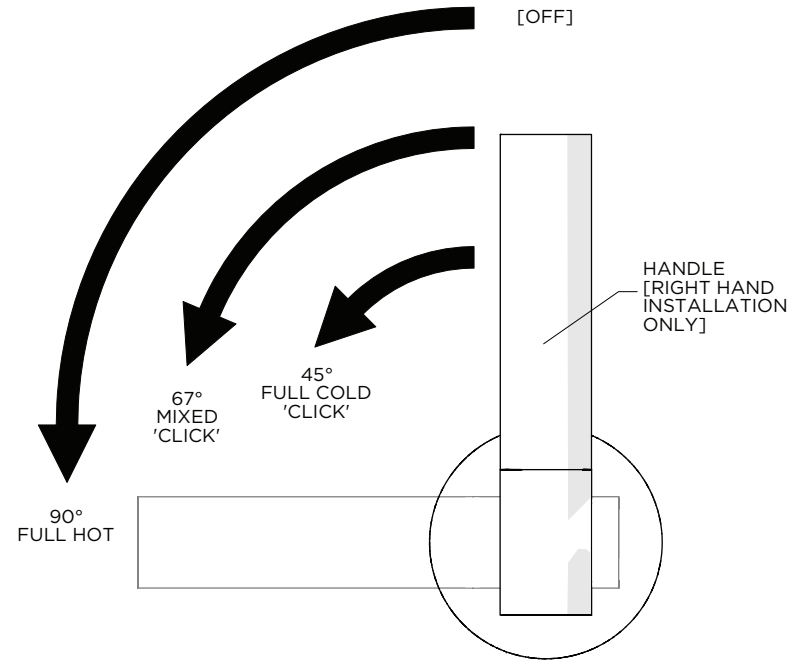
DETAIL	SPECIFICATION
DRAIN DEPTH	2-5/8" [67mm] MAXIMUM 3/8" [10mm] MINIMUM
DRAIN HOLE DIAMETER	Ø1-3/4" [44mm]
DRAIN STYLE	PUSH-TOUCH
INLET CONNECTION	3/8" COMPRESSION CONNECTOR HOSES †
SPOUT REACH	5-15/16" [151mm]
SPOUT SWIVEL	YES
WATER PRESSURE MAXIMUM	85psi [6.0 bar]
WATER PRESSURE MINIMUM	20psi [1.5 bar]
WATER PRESSURE RECOMMENDED	45psi [3.0 bar]

† For **INTERNATIONAL USE ONLY**, two 9/16"-24 UNEF MALE x 3/8" FEMALE BSPP ADAPTERS and RUBBER WASHERS are provided.



HANDLE OPERATION:

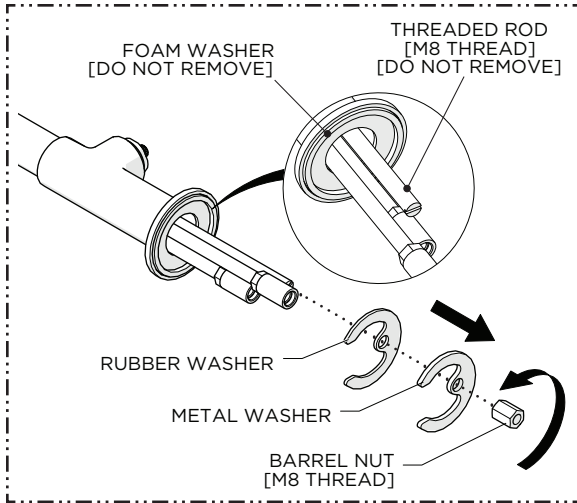
- This product is equipped with a PROGRESSIVE MIXING CARTRIDGE which incorporates tactile feedback.
 - The user will feel slight haptic bumps as they operate the HANDLE.
 - These bumps indicate when the CARTRIDGE is at full cold and warm water temperatures.
- The HANDLE rotates a 1/4 turn counterclockwise through cold, warm, and hot water temperatures as shown below.



WATERWORKS INSTALLATION GUIDELINES

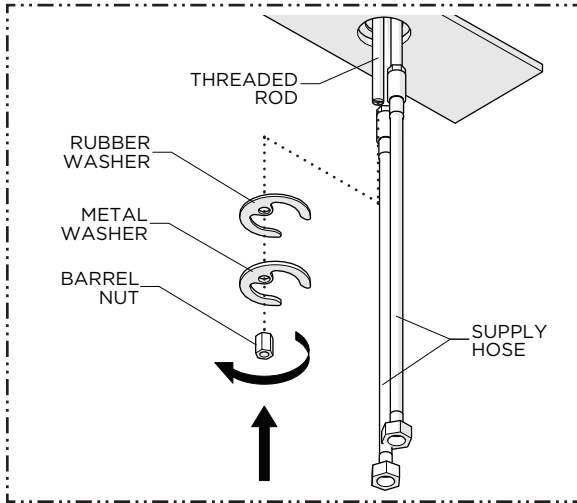
STYLE No. BLS47A, BLS47B, BLS47C, BLS47D, BLS47E

Bond One Hole Lavatory Faucet with Lever Handle



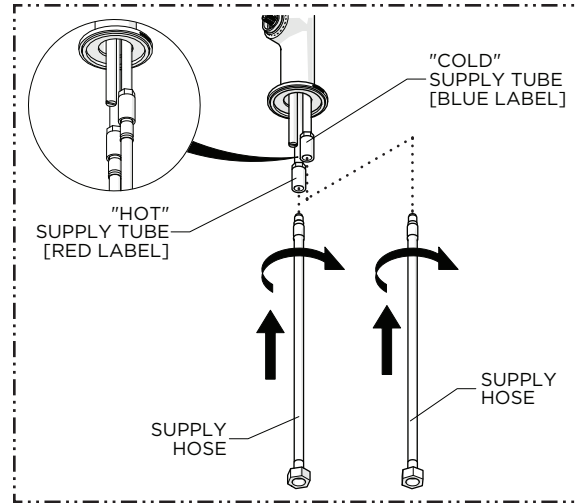
1. Remove the BARREL NUT, METAL WASHER, and RUBBER WASHER from the THREADED ROD.

NOTE: Do **NOT** remove the THREADED ROD or FOAM WASHER beneath the ESCUTCHEON.



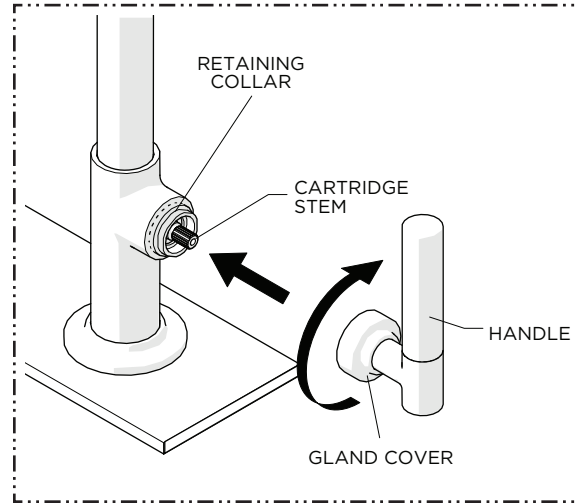
4. Slide the RUBBER and METAL WASHERS back onto the THREADED ROD then thread and securely tighten the BARREL NUT onto the ROD.

NOTE: Ensure the WASHERS fit properly around the TUBES and HOSES.

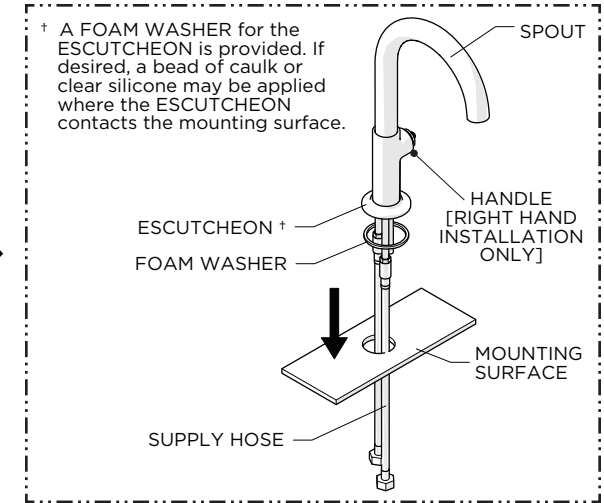


2. Thread and securely tighten the SUPPLY HOSES onto the SUPPLY TUBES on the SPOUT.

NOTE: The HOSES are M8 x 3/8" COMPRESSION CONNECTOR HOSES and the TUBES are marked BLUE for cold and RED for hot.

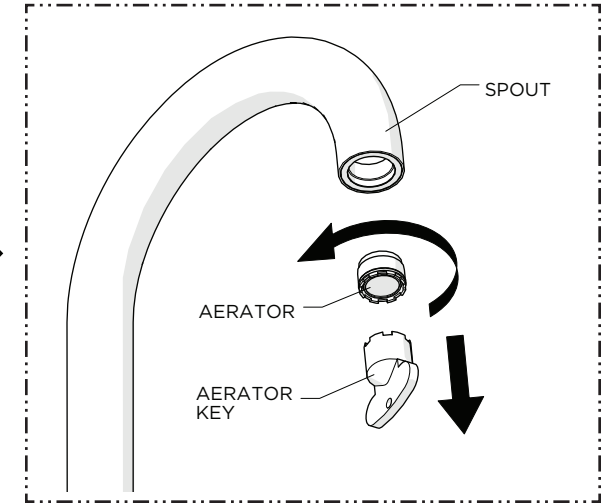


5. With the HANDLE held vertically, thread the GLAND COVER onto the RETAINING COLLAR until it stops.



3. Insert the SUPPLY HOSES through the hole on the mounting surface making sure the FOAM WASHER provided is beneath the ESCUTCHEON.

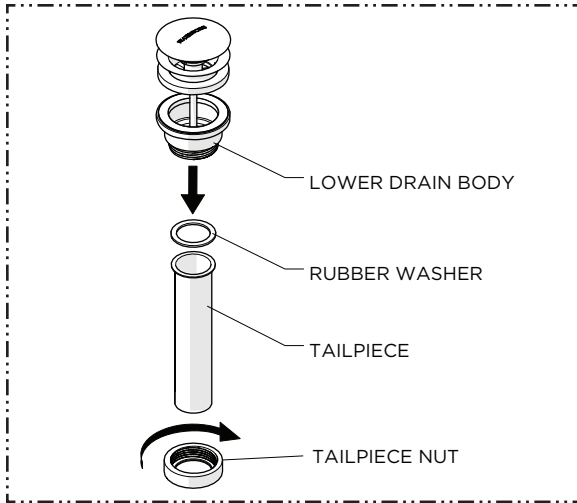
† A FOAM WASHER for the ESCUTCHEON is provided. If desired, a bead of caulk or clear silicone may be applied where the ESCUTCHEON contacts the mounting surface.



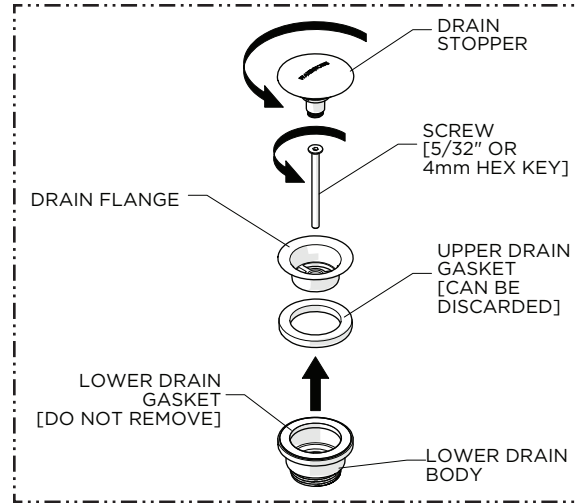
6. Remove the AERATOR from the SPOUT using the AERATORY KEY provided.

WATERWORKS INSTALLATION GUIDELINES

STYLE No. BLS47A, BLS47B, BLS47C, BLS47D, BLS47C
Bond One Hole Lavatory Faucet with Lever Handle

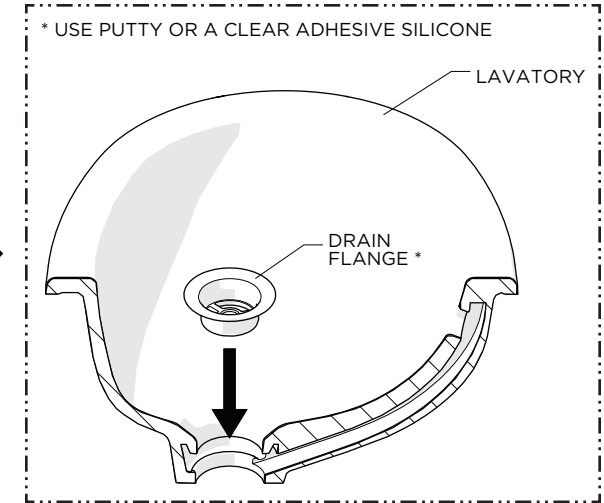


7. Unthread and remove the NUT, TAILPIECE, and RUBBER WASHER from the LOWER DRAIN BODY.

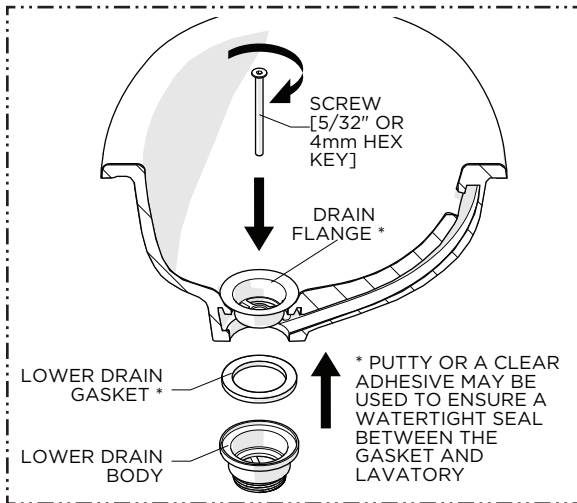


8. Unthread and remove the DRAIN STOPPER and LOWER DRAIN BODY from the DRAIN FLANGE.

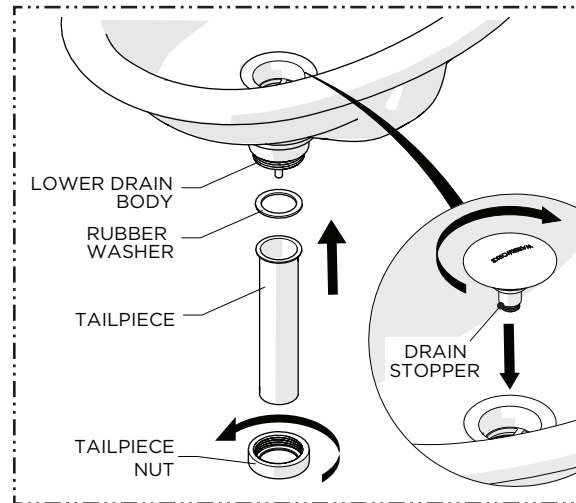
NOTE: Do **NOT** remove or discard the LOWER DRAIN GASKET.



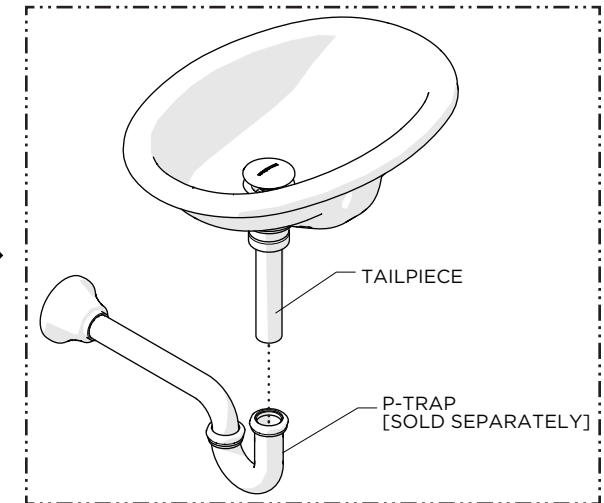
9. Set the DRAIN FLANGE into the LAVATORY (sold separately) using putty or a clear adhesive silicone.



10. Using the LOWER DRAIN GASKET and SCREW provided, re-attach the LOWER DRAIN BODY to the FLANGE. Ensure the GASKET makes a full seal on the underside of the LAVATORY then securely tighten the SCREW.



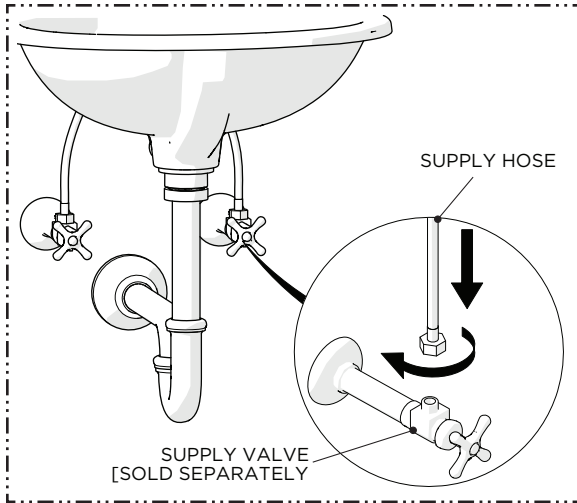
11. Re-install the DRAIN STOPPER and TAILPIECE using the WASHER and NUT provided.



12. Make final P-TRAP (sold separately) connections.

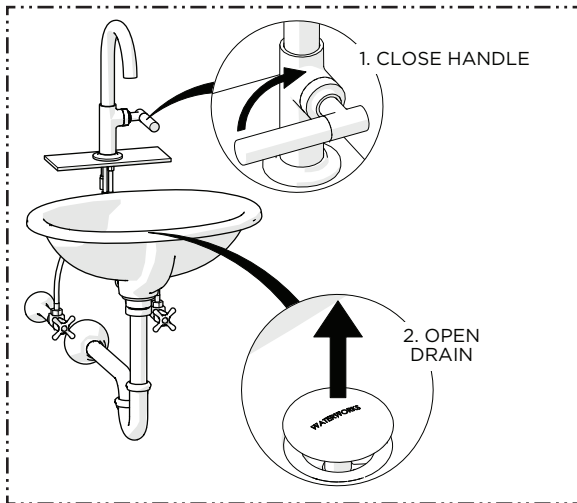
WATERWORKS INSTALLATION GUIDELINES

STYLE No. BLS47A, BLS47B, BLS47C, BLS47D, BLS47C
Bond One Hole Lavatory Faucet with Lever Handle

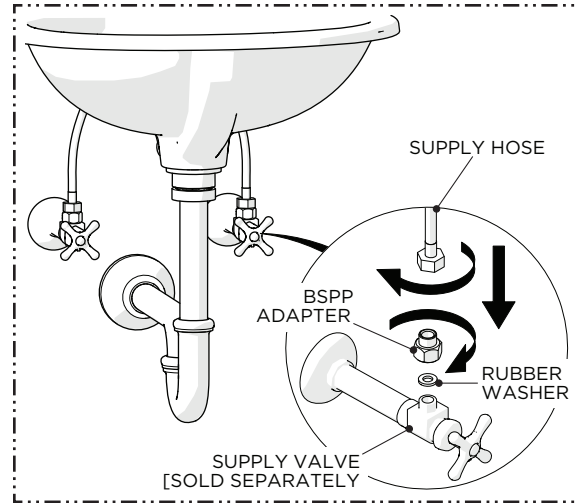


13. Connect the SUPPLY HOSES to the SUPPLY VALVES (sold separately).

NOTE: The HOSES are connected to SUPPLY TUBES that are marked BLUE for cold and RED for HOT.

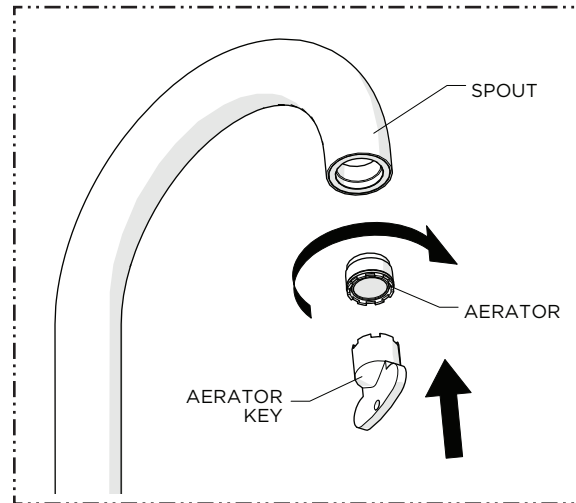


16. Close the HANDLE then open the DRAIN to drain the water.

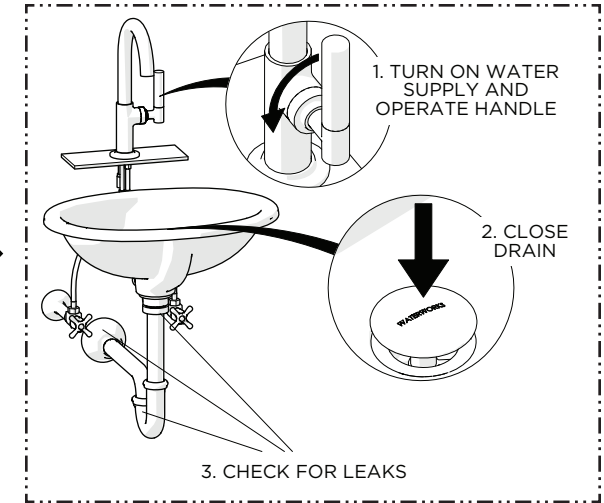


FOR INTERNATIONAL INSTALLATIONS ONLY

14. Using the RUBBER WASHERS provided, thread and securely tighten the BSPP ADAPTERS onto the SUPPLY VALVES then thread and securely tighten the SUPPLY HOSES onto the ADAPTERS.



17. Re-install the AERATOR using the tool provided.



15. Turn on the water supply and operate the HANDLE to flush out the supply lines. Inspect all connections for leaks then close the DRAIN to ensure it functions properly.

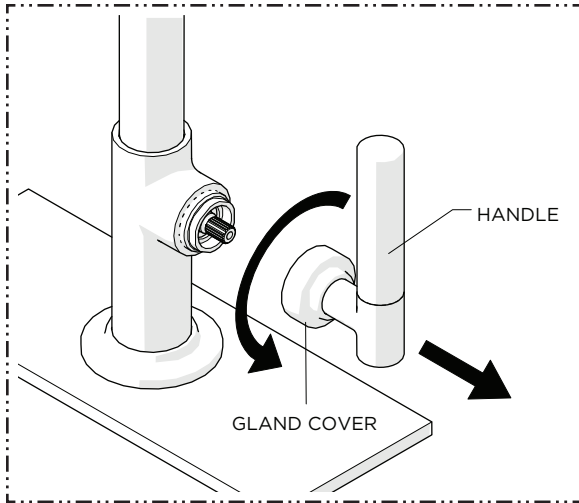
NOTE: The HANDLE will rotate counterclockwise a 1/4 turn through cold, warm, and hot water temperatures.

WATERWORKS

SERVICE GUIDELINES

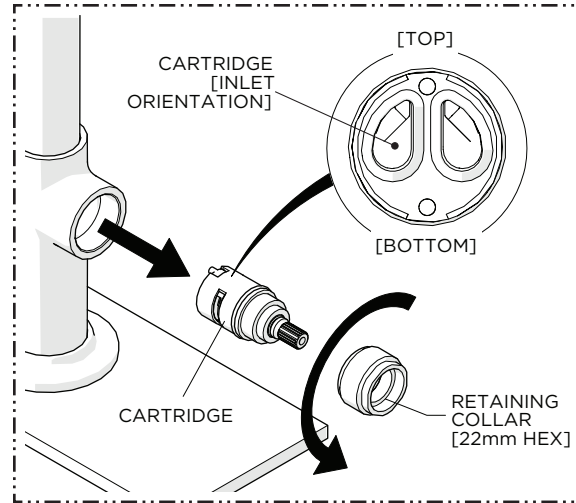
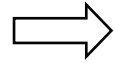
STYLE No. BLS47A, BLS47B, BLS47C, BLS47D, BLS47C

Bond One Hole Lavatory Faucet with Lever Handle



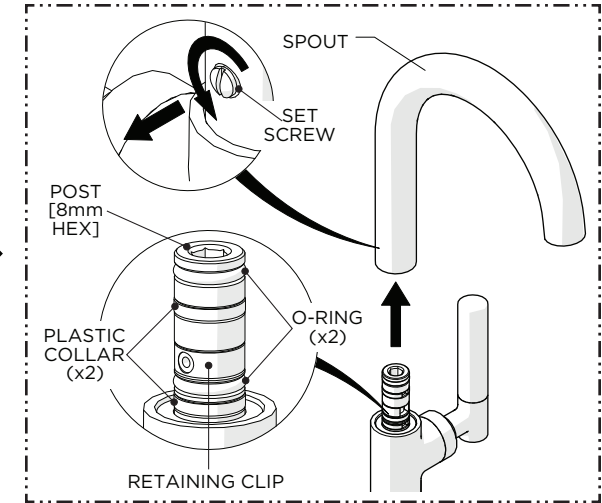
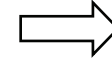
SERVICING THE CARTRIDGE

1. Unthread the GLAND COVER then pull the HANDLE off.



2. Unthread and remove the RETAINING COLLAR then pull the CARTRIDGE out.

NOTE: Replacing the RETAINING COLLAR requires a torque of 11 ft-lb [15N•m]. Exceeding this torque will damage the CARTRIDGE.



SERVICING THE SPOUT

1. Unthread the SET SCREW at the base of the SPOUT then pull the SPOUT up to expose the POST.