



IB RUBINETTI

Collection

TWITTER

Article

TW313

Description

Exposed parts for manual wall mixer with two ways

Built-in body to be purchased separately INC313XXXN_19

Box Dimensions

370 x 270 x 80 mm

Weight

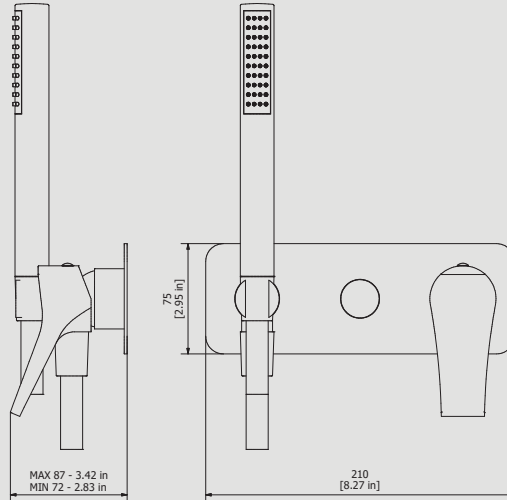
2.1 kg



Finishes

- **CC**
CHROME
- **CF**
BLACK CHROME
- **OO**
GOLD
- **BB**
ANTIQUE BRONZE
- **SS**
BRUSHED NICKEL
- **CS**
BRUSHED BLACK CHROME
- **BO**
MATT WHITE
- **NP**
MATT BLACK
- **IS**
BRUSHED PALE GOLD
- **OS**
BRUSHED GOLD
- **II**
PALE GOLD
- **RR**
ANTIQUE COPPER
- **RS**
ROSE GOLD
- **ON**
NATURAL BRASS
- **SR**
BRUSHED ROSE GOLD
- **PL**
PLATINUM

Dimensions



Cartridge

Ø35 ceramic cartridge

Threaded fitting

Aerator

Flow Rate (+/-10%)

1 BAR
10 l/min

2 BAR
14.1 l/min

3 BAR
17.2 l/min

Production

Main body is a machined from a solid pieces

Material

BRASS
According to CuZn39Pb3 (CW614N)
Max Lead content: 2.5%

IB RUBINETTERIE s.p.a
via dei Pianotti 3/5
25068 Sarezzo (BS) - Italy -

T. +39 030 802101
F. +39 030 803097
info@ibrubinetterie.it

P.IVA 01785230986
capitale sociale
€420.000,00 i.v.

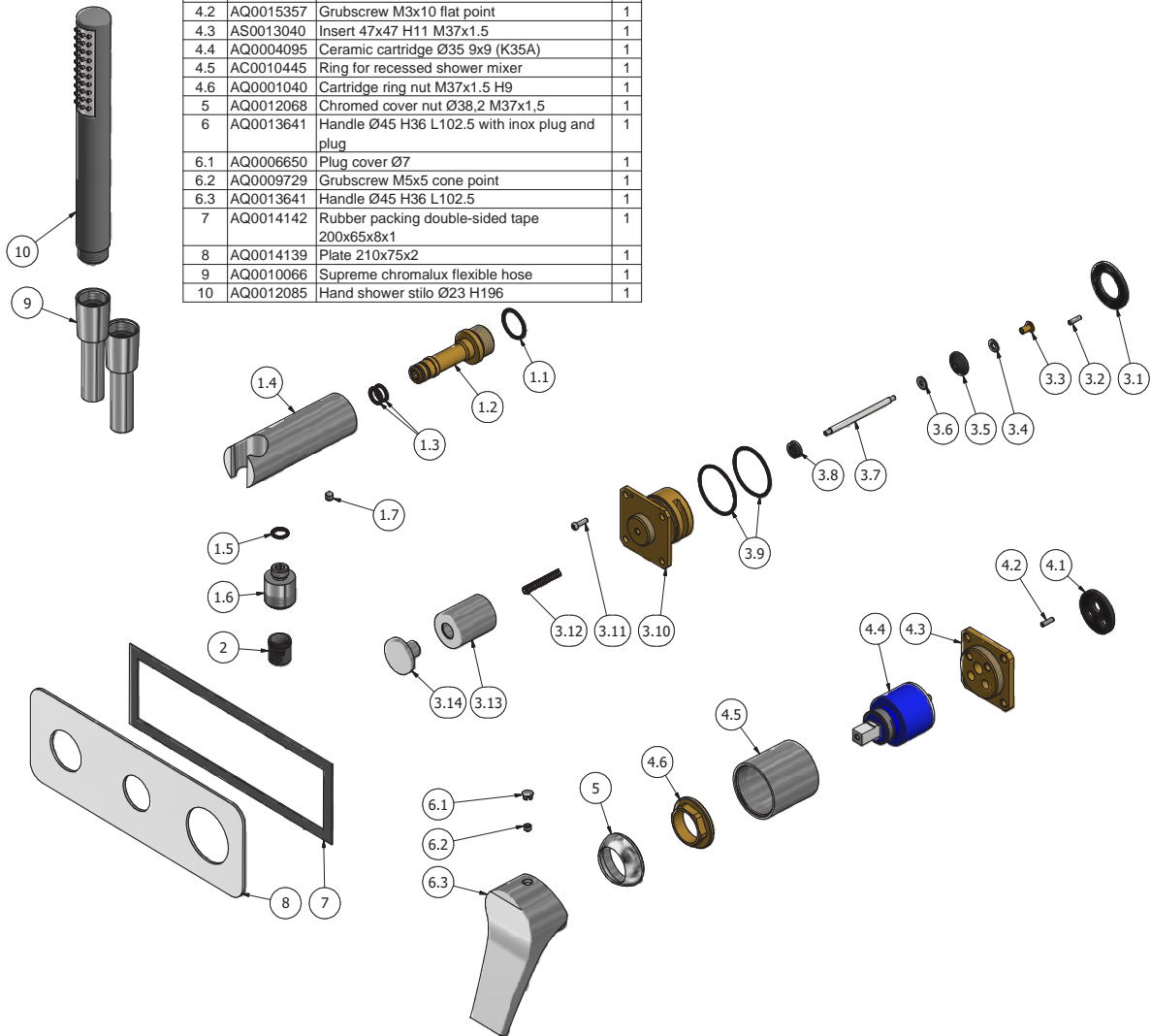
WWW.IBRUBINETTI.IT





IB RUBINETTI

Parts list			
ELEM	CODE	DESCRIPTION	QT
1	CPSUPCCX N_1	Handshower support Ø30 L95	1
1.1	AQ0004640	OR Ø18.77 x Ø1.78 NBR 70 SH	1
1.2	AS0013051	Bayonet coupling G1/2" M H64.9	1
1.3	AQ0004180	OR 9.25x1.78 NBR 70 SH	2
1.4	AC0013053	Hand shower's support Ø30 L94.8	1
1.5	AQ0001340	OR 8.73x1.78 NBR 70 SH	1
1.6	AC0013052	Reduction G1/2" M M12x1 M H20.5	1
1.7	AQ0014670	Grubscrew M5x6 cone point	1
2	AQ0013247	Flow reduction+CV Ø15 4L	1
3	CPDEV24C CXN_1	Diverter	1
3.1	AQ0015685	Rubber Ø33.8 Ø21 H2.5	1
3.2	AQ0015357	Grubscrew M3x10 flat point	1
3.3	AS0011816	Screw M3 L9	1
3.4	AQ0010229	Inox washer Ø4	1
3.5	AQ0013871	Biconic rubber Ø17x3.75x8	1
3.6	AS0011839	Washer UNI 9593 M3	1
3.7	AL0011819	Diverter's rod Ø4 M3 L64.5	1
3.8	AQ0013872	Gaco 11,8 X 3,5 NBR 70 SH	1
3.9	AQ0008026	OR 33.05x1.78 NBR 70 SH	2
3.10	AS0013043	Diverter body 47x47 H34.8	1
3.11	AQ0012206	Inox screw M3x10	1
3.12	AQ0013884	Spring De5, Di4.2, Df0.4, St15, Lo38	1
3.13	AC0013054	Ring Ø26 M22x1 F H33	1
3.14	AC0013041	Knob Ø26 H17 M3 F	1
4	CPIN206CC -19	Mixer 47x47 x recessed	1
4.1	AQ0015684	Gasket Ø31 H3.5 Ø7 Ø7.5	1
4.2	AQ0015357	Grubscrew M3x10 flat point	1
4.3	AS0013040	Insert 47x47 H11 M37x1.5	1
4.4	AQ0004095	Ceramic cartridge Ø35 9x9 (K35A)	1
4.5	AC0010445	Ring for recessed shower mixer	1
4.6	AQ0001040	Cartridge ring nut M37x1.5 H9	1
5	AQ0012068	Chromed cover nut Ø38,2 M37x1,5	1
6	AQ0013641	Handle Ø45 H36 L102.5 with inox plug and plug	1
6.1	AQ0006650	Plug cover Ø7	1
6.2	AQ0009729	Grubscrew M5x5 cone point	1
6.3	AQ0013641	Handle Ø45 H36 L102.5	1
7	AQ0014142	Rubber packing double-sided tape 200x65x8x1	1
8	AQ0014139	Plate 210x75x2	1
9	AQ0010066	Supreme chromalux flexible hose	1
10	AQ0012085	Hand shower stilo Ø23 H196	1



WARRANTY

All IB Rubinetterie SpA products are warranted for 10 years from the date of purchase, for the following cases:

- Defects of casting, porosity and chrome plating.
- Operating defects caused by incorrect fabrication.

The warranty provides for repair or replacement of products with fabrication defects recognized by our technical office. There is no other type of compensation anche the merchandise must be returned FOB our warehouse. The warranty only cover surface defects (scatches, dings, etc.) on fitting that have not been installed and used, returned in its original packaging with all components. O-ring, gasket seals and components subject to wear proportional to use are warranted for 2 years.

The warranty is void in the following cases:

Error installing and putting the product into service.

Deterioration of finisched surfaces due to use of cleaning products containing acids or abrasive substances. Deterioration of surface with finishes other than chrome plating. Their durability is, in fact, dependent on the user's care and gentleness of use.

Deterioration of the fitting due incorrect installation.

Improper repairs and maintenance performed without the company's prior authorization.

The warranty from IB Rubinetterie SpA is not renewable.

Cleaning

We recommended cleaning the finish surfaces with water and soap, using a soft cloth.

Do not use detergents that cointain hydrochloric acid or abrasive substances.

