





D			1
C	∅6		4
B	M6x20		6
A	4mm		1
NO.	SIZE	DIAGRAM	QTY

FIG.
1

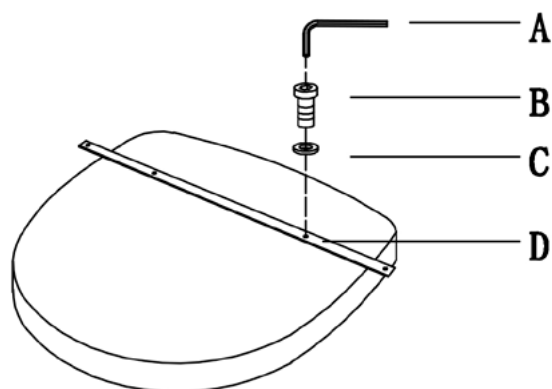


FIG.
2

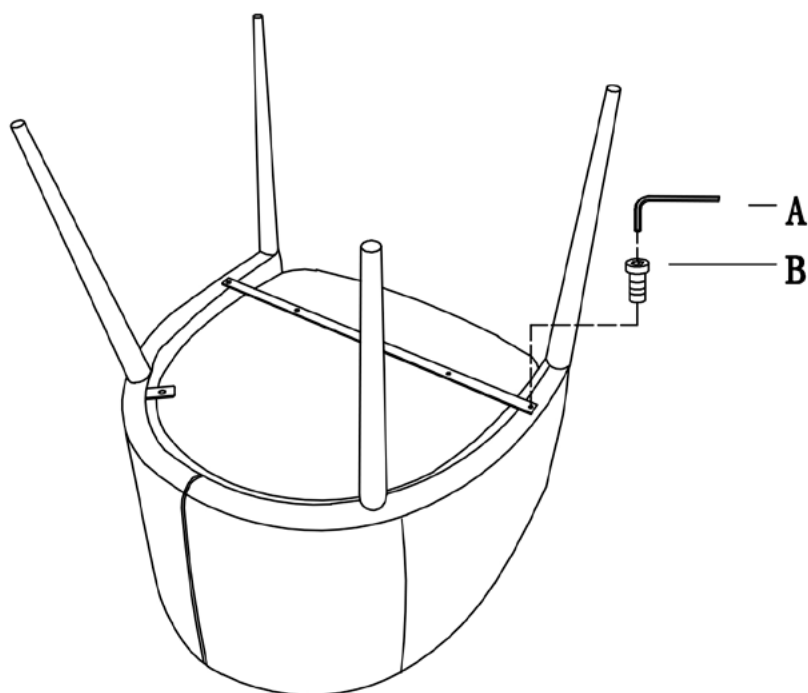


FIG.
3

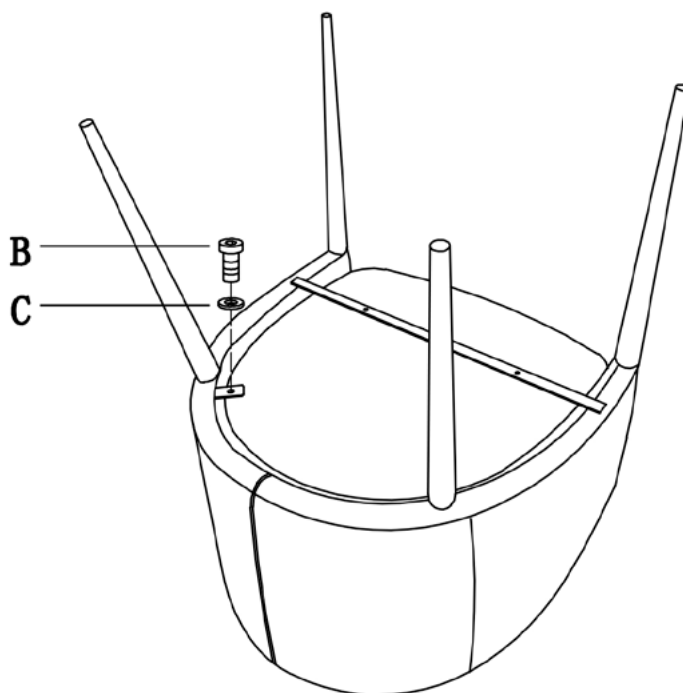


FIG.
4

