



IB RUBINETTI

Collection

WOW

Article

W0700

Description

Free-standing bath filler



Box Dimensions

360 x 220 x 150 mm
200 x 200 x 150 mm

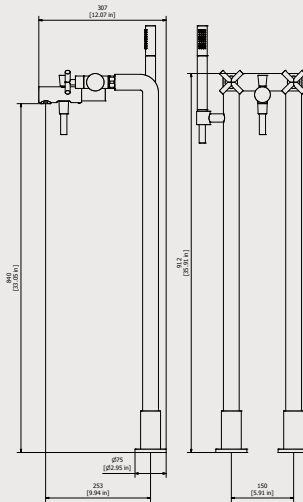
Weight

7.9 kg

Finishes

- **CC** CHROME
- **CF** BLACK CHROME
- **BG** GLOSSY WHITE
- **NG** GLOSSY BLACK
- **SS** BRUSHED NICKEL
- **CS** BRUSHED BLACK CHROME
- **BO** MATT WHITE
- **NP** MATT BLACK
- **OO** GOLD
- **BB** ANTIQUE BRONZE
- **II** PALE GOLD
- **RR** ANTIQUE COPPER
- **ORS** ROSE GOLD
- **ON** NATURAL BRASS
- **IS** BRUSHED PALE GOLD
- **OS** BRUSHED GOLD
- **SR** BRUSHED ROSE GOLD
- **PL** PLATINUM

Dimensions



Cartridge

G1/2" ceramic cartridge

Treaded fitting

G1/2" female

Aerator

M24x1

Flow Rate (+/-10%)

1 BAR
20 l/min

2 BAR
26 l/min

3 BAR
32 l/min

Production

Main body is a single casted pieces

Material

BRASS
According to CuZn35Pb2Al-B (CB752S)
Max Lead content: 1.36%

IB RUBINETTERIE s.p.a
via dei Pianotti 3/5
25068 Sarezzo (BS) - Italy -

T. +39 030 802101
F. +39 030 803097
info@ibrubinetterie.it

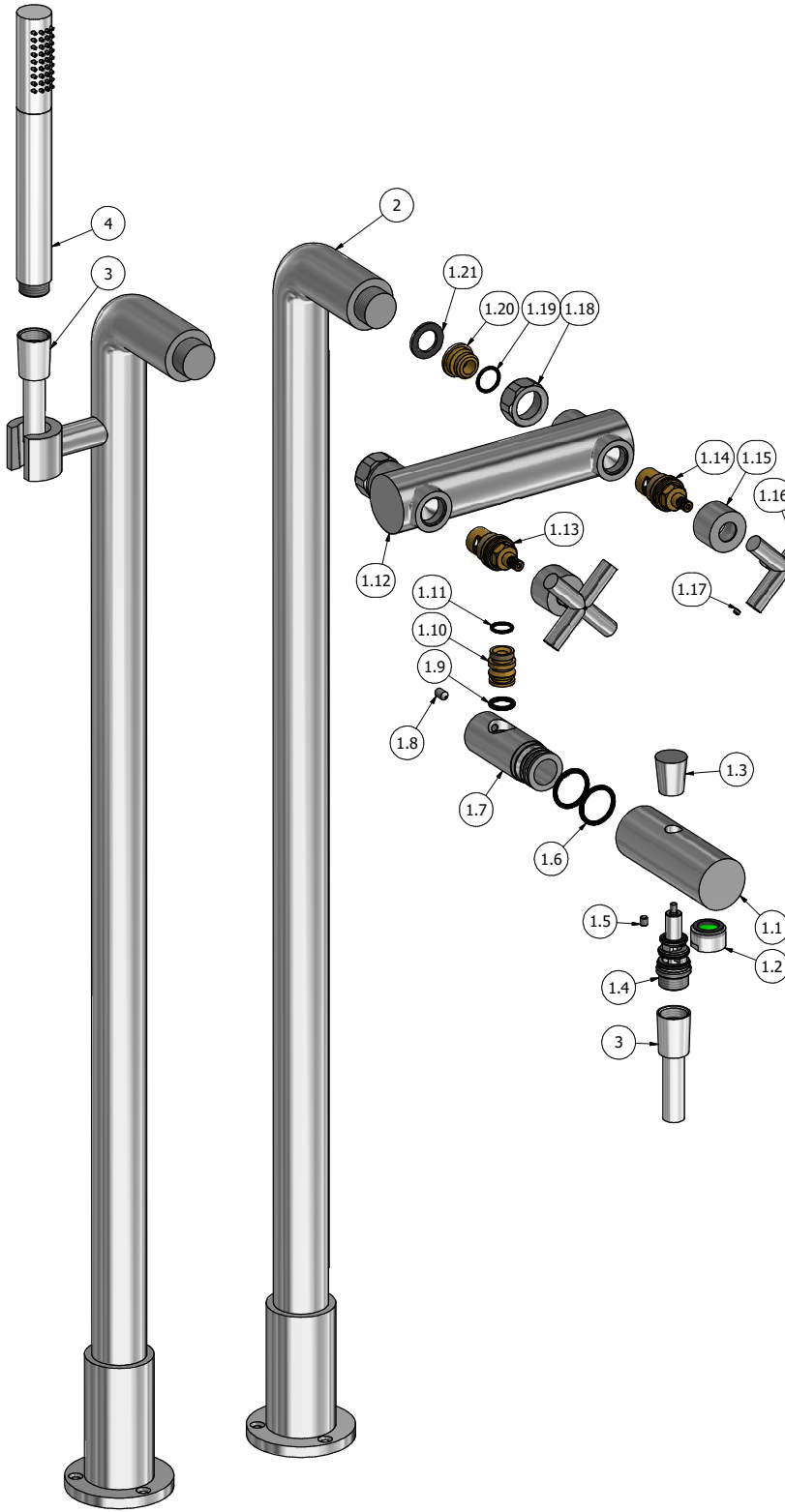
P.IVA 01785230986
capitale sociale
€420.000,00 i.v.

WWW.IBRUBINETTI.IT





IB RUBINETTI



Parts list				
ELEM	CODE	DESCRIPTION	QT	
1	AQ0014492	Complete bath mixer	1	
1.1		Spout	1	
1.2		Aerator M24X1	1	
1.3		Knob for diverter	1	
1.4		Diverter	1	
1.5		Grubscrew	1	
1.6		OR 23.81x2.62 NBR 70 SH	2	
1.7		Insert for spout	1	
1.8		Grubscrew	1	
1.9		OR 13.1x2.62 NBR 70 SH	1	
1.10		Connecting piece	1	
1.11		OR 12.42x1.78 NBR 70 SH	1	
1.12		Casted body	1	
1.13		Ceramic headwork 3/4" R	1	
1.14		Ceramic headwork 3/4" R	1	
1.15		Cover nut	2	
1.16		Handle	1	
1.17		Grubscrew	2	
1.18		Fixing nut G3/4" H14 CH30	2	
1.19		OR 15.6x1.78 NBR 70 SH	2	
1.20		Threaded connection piece M18x1.5 L H15.8	2	
1.21		Gasket 24x16x2 G3/4"	2	
2	AQ0013435	Pipe	1	
3	AQ0010066	Supreme chromalux flexible hose	2	
4	AQ0013557	Onair hand shower	1	

WARRANTY

All IB Rubinetterie SpA products are warranted for 10 years from the date of purchase, for the following cases:

- Defects of casting, porosity and chrome plating.
- Operating defects caused by incorrect fabrication.

The warranty provides for repair or replacement of products with fabrication defects recognized by our technical office. There is no other type of compensation anche the merchandise must be returned FOB our warehouse. The warranty only cover surface defects (scatches, dings, etc.) on fitting that have not been installed and used, returned in its original packaging with all components. O-ring, gasket seals and components subject to wear proportional to use are warranted for 2 years.

The warranty is void in the following cases:

Error installing and putting the product into service.

Deterioration of finished surfaces due to use of cleaning products containing acids or abrasive substances. Deterioration of surface with finishes other than chrome plating. Their durability is, in fact, dependent on the user's care and gentleness of use.

Deterioration of the fitting due incorrect installation.

Improper repairs and maintenance performed without the company's prior authorization.

The warranty from IB Rubinetterie SpA is not renewable.

Cleaning

We recommended cleaning the finish surfaces with water and soap, using a soft cloth.

Do not use detergents that contain hydrochloric acid or abrasive substances.

