

WATERWORKS

INSTALLATION GUIDELINES

IMPORTANT:

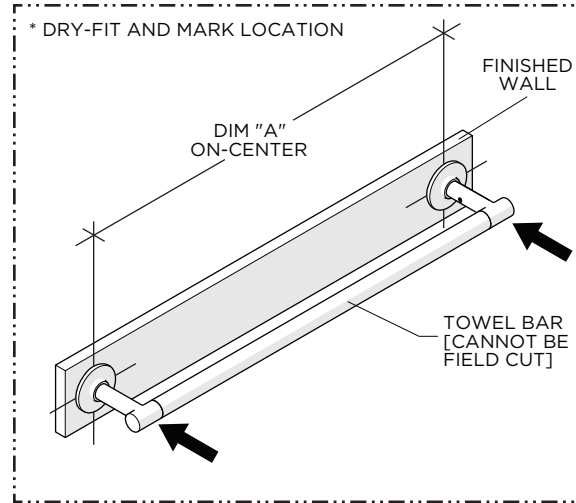
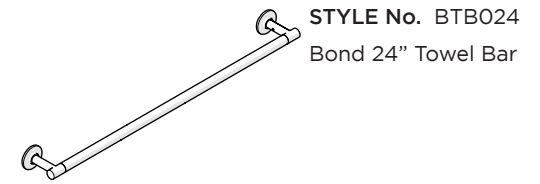
- To ensure this product is installed properly, you must read and follow these guidelines.
- The owner/user of this product must keep this information for future reference.
- This product must be installed by a professional licensed contractor. Inspect this product to ensure you have all the parts required for proper installation.
- DRYWALL ANCHORS for a typical drywall installation are provided. Do **NOT** use the ANCHORS if mounting directly onto wood blocking or a stud.
- If further assistance is required, please contact Product Support at 1-800-927-2120 Monday through Friday, 8am - 6pm EST.
- Refer to the separate Service Parts Documents for available replacement parts.

TECHNICAL DETAILS:

DETAIL	SPECIFICATION
PRIMARY MATERIAL	BRASS
TUBE DIAMETER	3/4" [19mm]

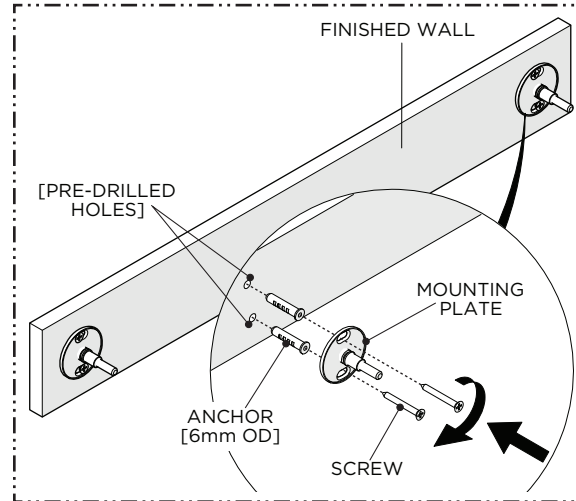
ON-CENTER SPREAD:

STYLE	DIM "A"
BTB018	18" [457mm]
BTB024	24" [610mm]



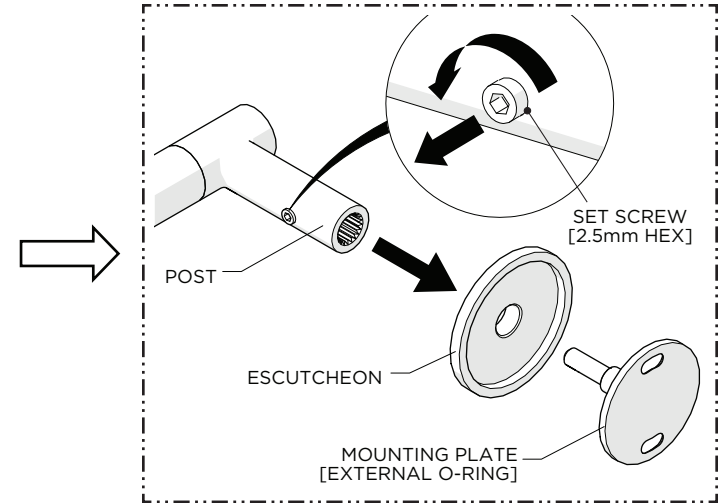
1. Dry-fit the TOWEL BAR to the finished wall and mark the ideal location making sure to hold the BAR level.

NOTE: Verify the on-center spread, DIM "A".



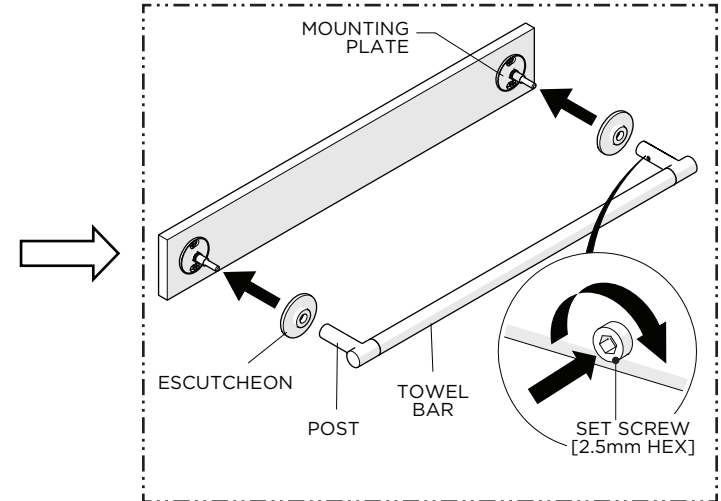
3. Using the previous marks as a reference, install the MOUNTING PLATES using the ANCHORS, if necessary, and SCREWS provided.

NOTE: Ensure the MOUNTING PLATES are level and at the correct on-center spread, DIM "A".



2. Loosen, but do **NOT** remove, the SET SCREW on the POST and remove the MOUNTING PLATE and ESCUTCHEON.

NOTE: Do **NOT** remove the O-RING on the MOUNTING PLATE.



4. Slide the ESCUTCHEONS and POSTS onto the MOUNTING PLATES then thread and securely tighten the SET SCREWS.