

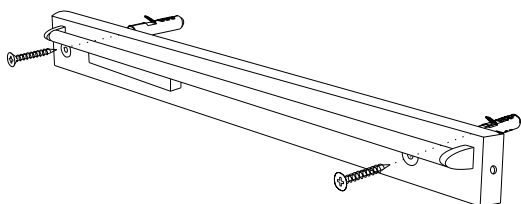
Box contains | Contenido de la caja:

- | | |
|---|----------------------------------|
| A - Whole set piece Pieza de conexión [1] | E - Tie rod Tensor [3] |
| B - Canopy Florón [1] | F - Wire connectors Fichas [1] |
| C - Wall plugs Tacos [5] | G - Lampshade Tulipa [3] |
| D - Screws Tornillo [5] | |

ref. **N006**

Suitable for indoor use, at 25°C

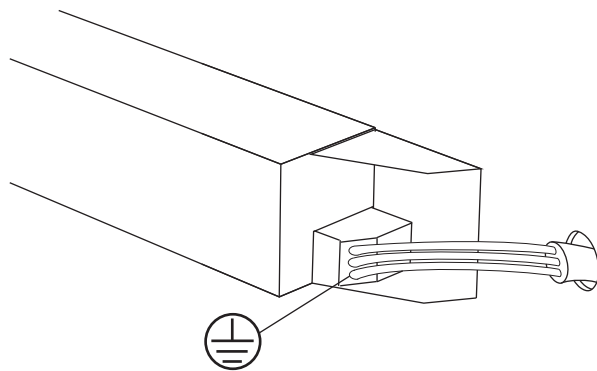
Apta para uso interior a temperatura ambiente de 25°C



1

Drill the holes and fit the wall plugs into them. Introduce the electrical wire through the hole of the frame and screw it.

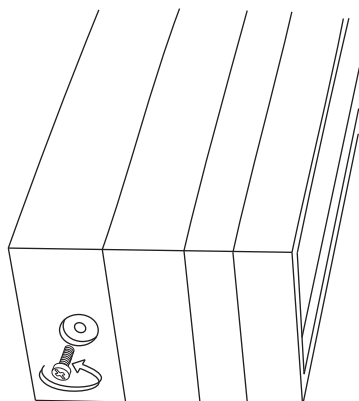
Realizar los agujeros, colocar los tacos, pasar los cables eléctricos al interior y atornillar el soporte.



2

Connect the wires in the reactance and connect the earth.

Conectar los cables en la reactancia y la toma de tierra.



3

Fit the shade into the frame and fix it by tightening the screws.

Colocar la tulipa en el soporte y fijarla ajustando los tornillos.