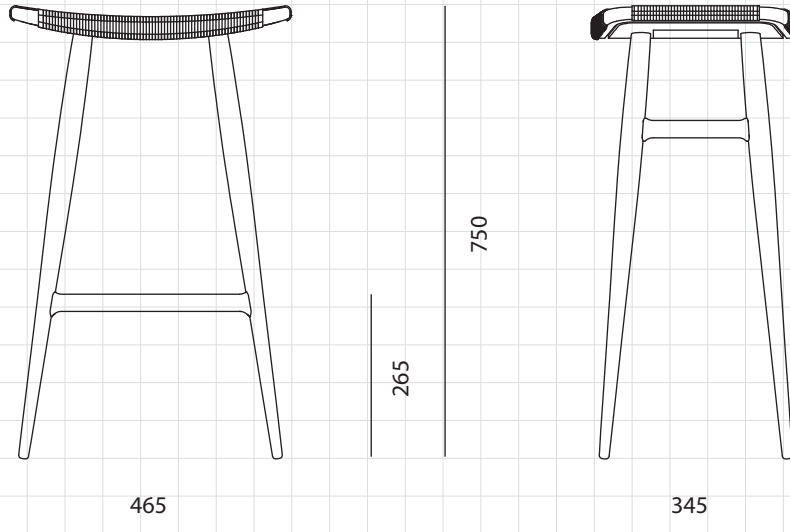


### Freja Bar Stool SH750 Paper Cord Seat



**CODE**

FE-S320-PC

**DIMENSIONS**

W465 x D345 x H750mm

**NET WEIGHT**

3.6 kg

**ENVIRONMENT**

Indoor

**MATERIALS**

Solid wood frame, Paper cord seat

\*Please refer to website or contact your local representative for complete material swatches.

**SHIPPING**

<b>Package</b>	Assembled		
<b>Package Qty</b>	1 pcs/box		
<b>Packaging</b>	<b>Measurement (mm)</b>	<b>Volume (cbm)</b>	<b>Gross Weight (kg)</b>
<b>FCL</b>	W530 x D410 x H835	0.18	7.85
<b>LCL/AIR</b>	W570 x D450 x H925	0.24	10.83