

# Così

**85616X-CR**

## TECHNICAL INFORMATION

Sliding rail kit composed of: sliding rail with double adjustment on both wall holders Ø20 mm h 90 cm. Max. fixation distance 79 cm. Min. fixation distance 42 cm. Non-liming 3 jets shower in ABS, Ø100. Smooth double anti-torsion PVC flexible hose, 150 cm. CHROME

## FEATURES



rain jet



central jet



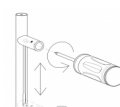
side jet



Non-liming



double anti-torsion



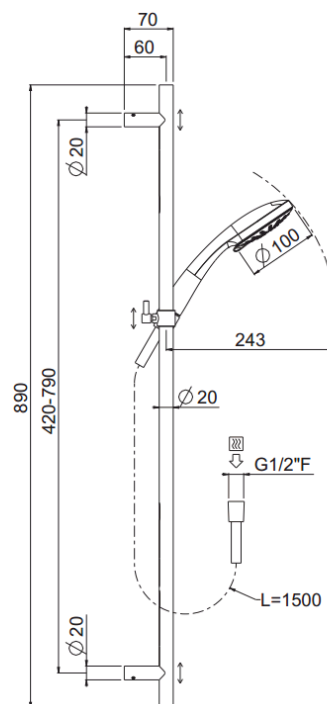
shaft adjusting in both supports

## PICTURE



## SPARE PARTS

## TECHNICAL DRAWING



## FINISHINGS

