

Collection

BARK

Article

EBK207

Description

Wall mounted washbasin mixer with long spout complete with drain. Built-in body to be purchased separately INC206.

Box Dimensions

265x260x70 mm

Weight

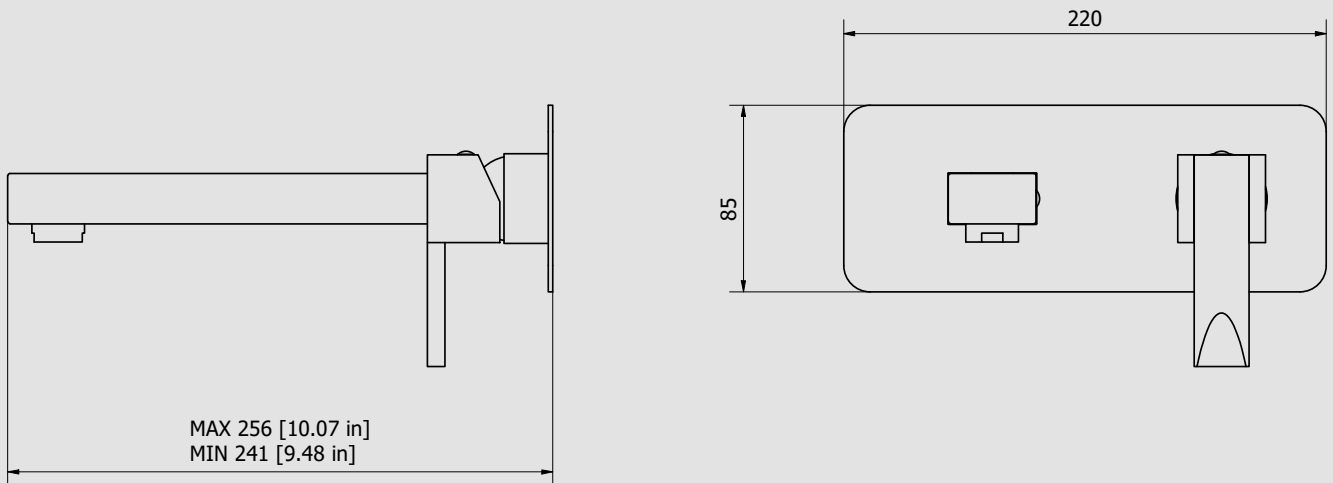
1.7 kg

Finishes

- **CC**
CHROME
- **PL**
PLATINUM
- **SS**
BRUSHED
NICKEL
- **ON**
NATURAL
BRASS
- **BO**
MATT
WHITE
- **NP**
MATT
BLACK
- **CF**
BLACK
CHROME
- **CS**
BRUSHED
BLACK
CHROME
- **II**
PALE
GOLD
- **IS**
BRUSHED
PALE GOLD
- **RS**
ROSE
GOLD
- **SR**
BRUSHED
ROSE GOLD
- **OO**
GOLD
- **OS**
BRUSHED
GOLD
- **RR**
ANTIQUÉ
COPPER
- **BB**
ANTIQUÉ
BRONZE



Dimensions



Cartridge

IB 35 mms Ceramics Discs Cartridge

Threaded fitting

Treaded fitting G1/2" female

Aerator

M24x1

Flow Rate (+/-10%)

1 BAR	2 BAR	3 BAR
8.8 l/m	12.3 l/m	15.2 l/m

Production

Main body is a single casted pieces

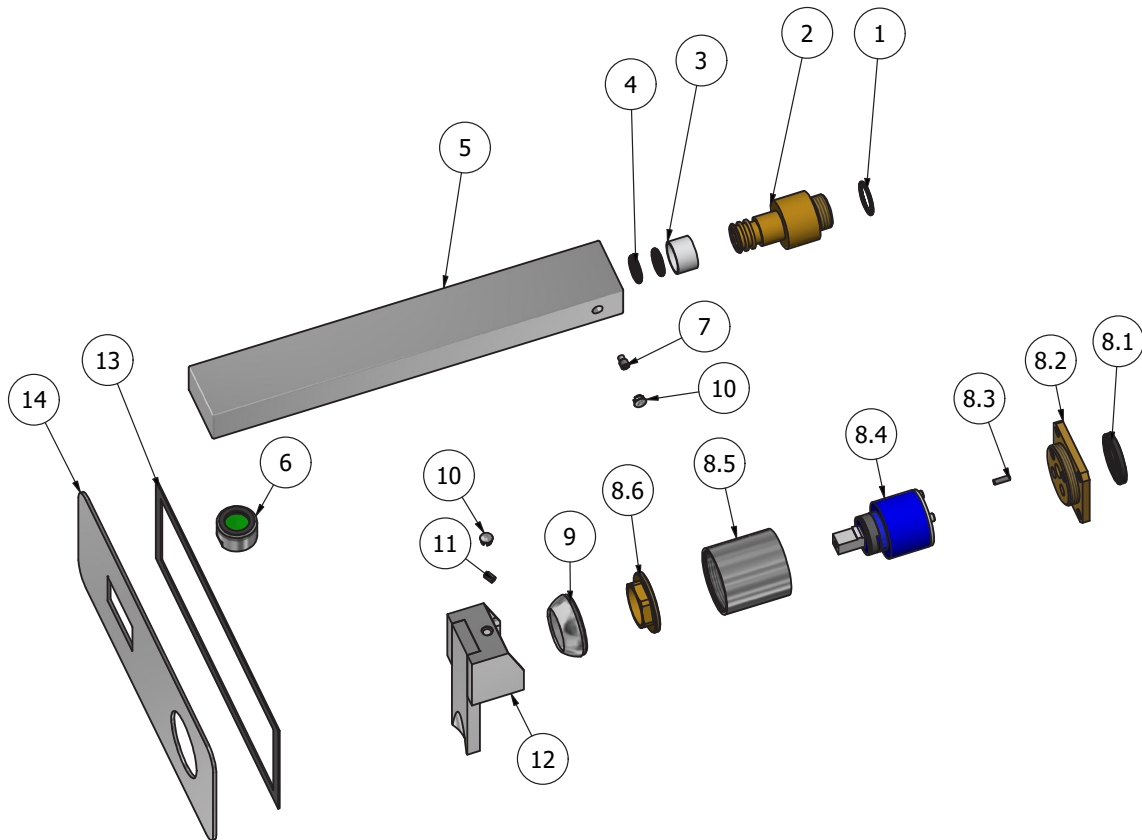
Material

BRASS
According to CuZn35Pb2Al-B (CB752S)
Max Lead content: 1.36%



WE ARE IB

ELENCO PARTI			
ELEMENTO	CODICE	DESCRIZIONE	QTÀ
1	AQ0004630	OR 17.16x1.78 NBR 70 SH	1
2	AS0011746	Inserto portabocca G1/2" H59	1
3	AQ0010143	Anello in teflon Ø20 H12.5	1
4	AQ0001360	OR 11.91x2.62 NBR 70 SH	2
5	AQ0014441	Bocca 40x23 L260	1
6	AQ0000020	Aeratore M24x1 perlator honeycomb (40.2005.03301)	1
7	AQ0007178	Grano inox p. cil. M5x8	1
8	CPIN206CC-19	Miscelatore 47x47 x incassi	1
8.1	AQ0015684	Guarnizione Ø31 H3.5 Ø7 Ø7.5	1
8.2	AS0013040	Inserto 47x47 h11 M37x1.5	1
8.3	AQ0015357	Grano inox M3x10 p.p.	1
8.4	AQ0004095	Cartuccia ceramica Ø35 9x9 (K35A)	1
8.5	AC0010445	Anello per incasso Ø41 M37x1.5 H40.7	1
8.6	AQ0001040	Ghiera premicartuccia M37x1.5 H9	1
9	AQ0012068	Copri ghiera Ø38.2 M37x1.5 H13	1
10	AQ0006650	Placchetta cromata Ø7	2
11	AQ0001081	Grano inox M4x6 p.p.	1
12	AQ0013558	Maniglia completa quadra 40x40x33 L105	1
13	AQ0014142	Guarnizione biadesiva 200x75x8x1	1
14	AC0013128	Piastra 220x85x2 206	1





WARRANTY

All IB Rubinetterie SpA products are warranted for 10 years from the date of purchase, for the following cases:

- Defects of casting, porosity and chrome plating.
- Operating defects caused by incorrect fabrication.

The warranty provides for repair or replacement of products with fabrication defects recognized by our technical office. There is no other type of compensation anche the merchandise must be returned FOB our warehouse. The warranty only cover surface defects (scatches, dings, etc.) on fitting that have not been installed and used, returned in its original packaging with all components. O-ring, gasket seals and components subject to wear proportional to use are warranted for 2 years.

The warranty is void in the following cases:

Error installing and putting the product into service.

Deterioration of finished surfaces due to use of cleaning products containing acids or abrasive substances. Deterioration of surface with finishes other than chrome plating. Their durability is, in fact, dependent on the user's care and gentleness of use.

Deterioration of the fitting due incorrect installation.

Improper repairs and maintenance performed without the company's prior authorization.

The warranty from IB Rubinetterie SpA is not renewable.

Cleaning

We recommended cleaning the finish surfaces with water and soap, using a soft cloth.

Do not use detergents that contain hydrochloric acid or abrasive substances.

