



SERIES VTC500



NO.1 IN HYDRONIC SYSTEM CONTROL

Mtr.nr: 9814 02 98 • Ritn.nr: 9144 utg.C • Rev. 1609

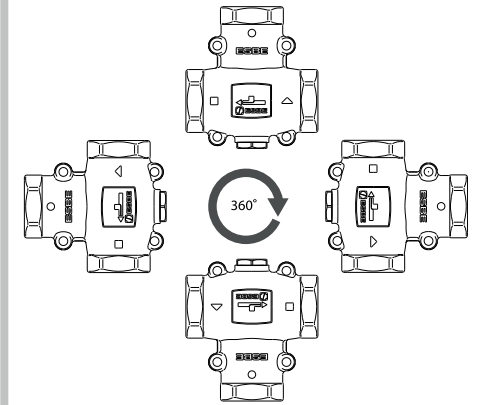
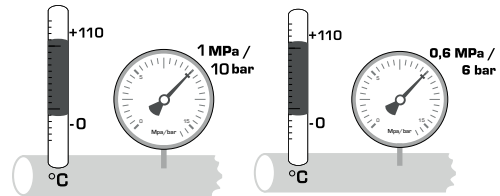


Series VTC511
Series VTC512
Series VTC531

CE
PED 2014/68/EU, article 4.3

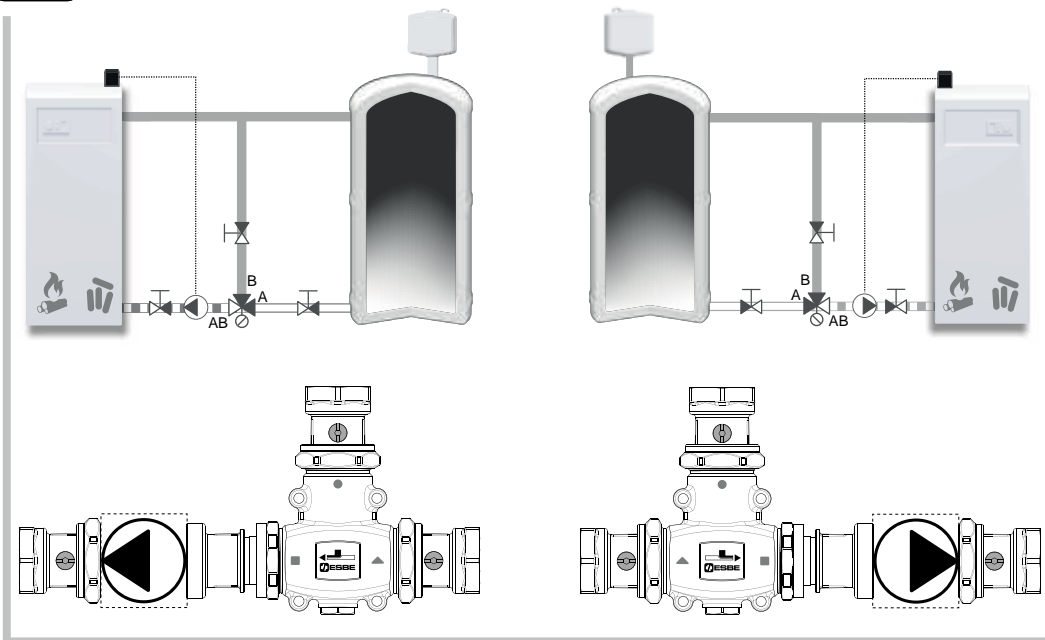
Series VTC511
Series VTC512

Series VTC531



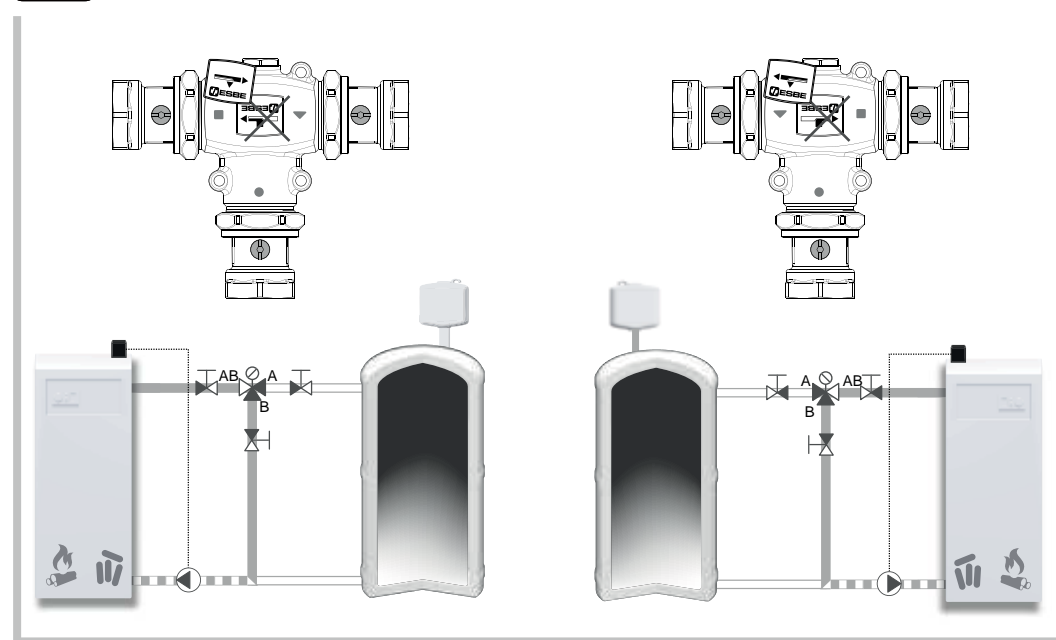
1

50/55/60/65/70/75 °C

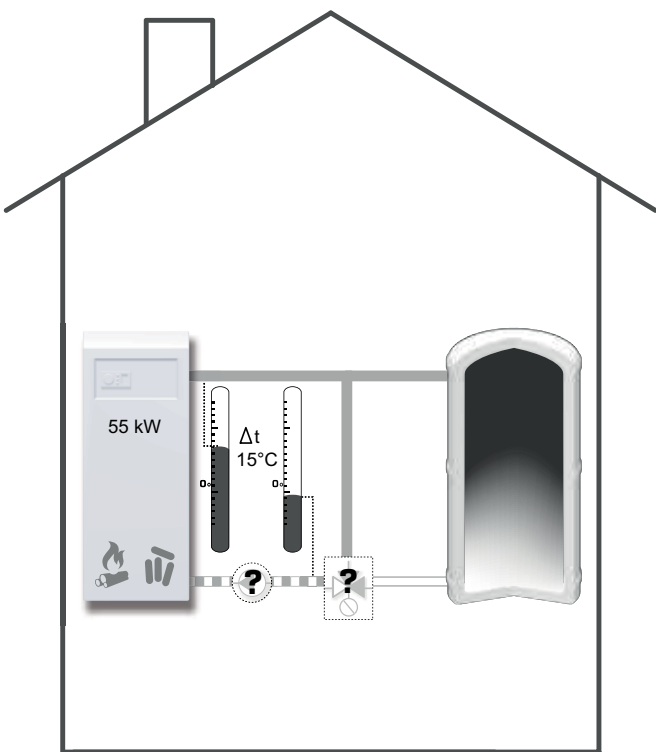


2

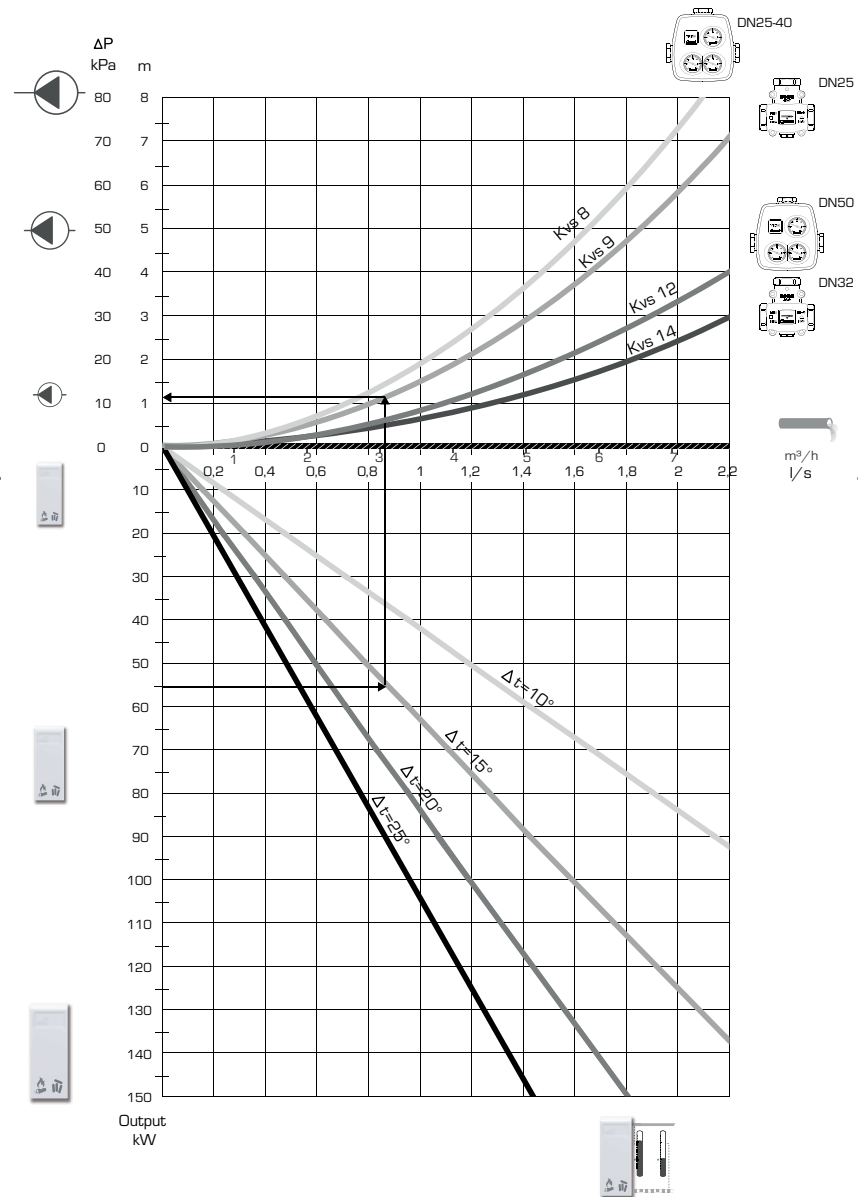
70/75 °C



1



2



3

