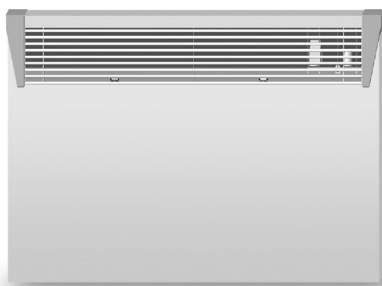


TESY


It's impressive

- EN** ELECTRIC PANEL HEATER 2-9
Operation and Storage Manual of Panel Heater
- BG** ЕЛЕКТРИЧЕСКИ КОНВЕКТОР 10-18
Инструкция за експлоатация и съхранение на панелен конектор
- RO** CONVECTOR ELECTRIC 19-26
Instrucțiuni de utilizare și depozitare a convectorului de panou
- RU** ЭЛЕКТРИЧЕСКИЙ КОНВЕКТОР 27-34
Инструкция по эксплуатации и сохранению панельного конвектора
- ES** CONVECTOR ELÉCTRICO 35-43
Instrucciones para el uso y mantenimiento de panel convector
- PT** AQUECEDOR ELÉTRICO DE PAREDE 44-52
Instruções de utilização e armazenamento do painel aquecedor de parede
- DE** ELEKTRISCHER KONVEKTOR 53-61
Bedienungs und Aufbewahrungsanleitung des Panelkonvektors
- IT** CONVECTORE ELETTRICO 62-70
Istruzione per l'uso e la conservazione di pannello convettore
- FR** CONVECTEUR ELECTRIQUE 71-79
Mode d'emploi et instructions de rangement de convecteur
- DK** ELEKTRISK KONVEKTOR RADIATOR 80-87
Brugermanual til panel-konvektor
- GR** ΗΛΕΚΤΡΙΚΟΣ ΘΕΡΜΟΠΟΜΠΟΣ/CONVECTOR 88-96
Οδηγίες χρήσης και αποθήκευσης Πάνελ - Θερμοπομπού
- MK** ЕЛЕКТРИЧНИ КОНВЕКТОР 97-104
Упатство за употреба и чување на панелниот конектор
- HU** ELEKTROMOS KONVEKTOR 105-113
Használati utasítás a fali konvektor üzembentartására és védelmére
- PL** KONWEKTOR ELEKTRYCZNY 114-122
Instrukcja użytkowania i przechowywania konwektora płytowego
- CZ** ELEKTRICKÝ KONVEKTOR 123-130
Návod k použití a uskladnění panelového konvektoru
- SK** ELEKTRIČNÍ KONVEKTOR 131-138
Navodila za uporabo in shranjevanje konvektorja
- RS** ELEKTRIČNI KONVEKTOR 139-146
Упутства за употребу и складиштење панелног конвектора
- HR** ELEKTRIČNI KONVEKTOR 147-154
Upute za uporabu i pohranu panelnog konvektora
- SI** ELEKTRICKÝ KONVEKTOR 155-162
Návod na použitie a údržbu panelového konvektora
- LT** ELEKTRINIS KONVEKTORIUS 163-170
Panelinio konvektoriaus su MICA šildytuvu eksploatavimo ir saugojimo instrukcija
- LV** ELEKTRISKAIS KONVEKTORS 171-178
Paneļa tipa konvektora lietošanas un uzglabāšanas instrukcija
- UA** ЕЛЕКТРИЧНИЙ КОНВЕКТОР 179-186
Інструкція про порядок застосування і зберігання панельного конвектора
- EE** ELEKTRILINE KONVEKTOR 187-194
Paneelkonvektori kasutus- ja hoidmise juhend
- NL** ELEKTRISCHE CONVECTOR 195-203
Gebruikers - en opslaghandleiding van paneelconvector




CN03 EIS W

230V~ 50Hz 500/1000/1500/2000/2500/3000W

 Please read this manual before operating the appliance and keep it at a safe place for future reference. In case the appliance is obtained by a new owner, it should be transferred together with its manual.

Thank you for choosing CN03 panel heater. This is a product providing heating in winter depending on the consumers' needs for comfortable room temperature. If operated and taken care of properly in accordance with these instructions, the appliance will provide you with many years of useful operation.


IMPORTANT SAFETY MEASURES AND INSTRUCTIONS:

 **Children under 3 years of age should be kept away from the appliance unless they are under constant supervision.**

Children from 3 to 8 years of age are allowed to operate the on/off button ONLY, provided that the appliance is installed and ready for operation and such children have been supervised and instructed in safe operation of the appliance and they understand all related risks.

Children from 3 to 8 years of age MUST NOT: connect the plug to power sockets, make adjustments, clean it or carry out user maintenance operations.

This appliance can be used by children older than 8 years of age and by people with reduced physical, sensor and mental capabilities, as well as by people with insufficient experience and knowledge provided they are supervised or instructed in safe operation of the appliance and understand the related risks. Children should not be allowed to play with the appliance. Cleaning and user maintenance operations must not be carried out by children without supervision.

 **Some of the appliance parts may get very hot during operation and thus cause burns to users. In case there are children and vulnerable people in the room, special attention should be paid.**

- Before connecting the appliance to the mains, check if the voltage indicated on its technical plate corresponds to the voltage of the electricity, supplied to your house.
- This appliance shall be used only for the purpose it has been designed and intended for, i.e. heating of domestic premises. The appliance is not intended for commercial/industrial application. Every other use is to be considered improper, and therefore dangerous. The manufacturer doesn't bear responsibility for damages arising from improper and irrational use. Non-adherence to these instructions would render the warranty invalid!
- Do not leave your home while the heater is operating: make sure that the power switch is in OFF position (panel heaters with mechanical control).
- Keep inflammable objects, such as furniture, pillows, bedding, paper, clothes, curtains etc. at a safe distance of at least 100 cm away from the panel heater.
- Do not operate the appliance in areas of use or storage of combustible substances. Do not operate the appliance in areas of combustible media (for example in close proximity to inflammable gases or aerosols) – there is great risk of explosion and fire!
- Do not insert and do not allow foreign objects to enter the ventilation openings (inlet and outlet) because this will cause electric shock, fire or will damage the appliance.
- The appliance is not suitable for animal breeding. The panel heater is intended for domestic/indoor operation only.
- When positioning the appliance, do not cover the safety grilles; do not hamper the incoming and outgoing air flow. All objects must be at a safe distance of at least 1 meter away from the appliance front and sides.
- The most common reason for overheating is dust and fluff deposits in the appliance. Clean the ventilation openings on a regular basis with a

vacuum cleaner, but before that it is very important to disconnect the heater from the mains.


- Never touch the appliance with wet or moist hands – there is risk for your life!
- The power socket should be accessible all the time in order to disconnect the power plug when needed as fast as possible! Never pull the power cord or the appliance itself in order to disconnect it from the mains.
- PAY ATTENTION! Outgoing air gets heated during appliance operation (up to more than 100°C).
- If the power cord of the appliance gets damaged, stop the heater and call its supplier/retailer for further instructions.
- If you decide to stop using an appliance of this kind, it is recommended to make it unusable by cutting its power cord after you have disconnected it from the mains. It is advisable all possible risks related to the appliance to be secured, especially in relation to children that may play with out-of-use appliances.
- The appliance must not be placed right under a socket box!
- Warning: Do not use this appliance with a programmer, counter or any other mechanism which could automatically turn on the heater – if the appliance is covered or positioned incorrectly there is a risk of fire.
- Position the power cord in such a way that it does not obstruct the free movement of people and cannot be stepped on! Use only approved extension cords, which are suitable for this appliance, i.e. they have a compliance sign!
- Never move the appliance by pulling its power cord; do not use the power cord for carrying other objects!
- Do not bend the power cord and do not pull it against sharp edges; do not place the power cord on hot surfaces or open fire!

PACKING

- After unpacking the appliance, check if its contents are intact and if it has not been damaged during transportation! In case a damage or incomplete delivery is found, contact your authorized retailer!
- Do not dispose of the original packing box! It could be used for storage and transportation purposes in order to avoid damages during transportation!
- Disposal of packing material should be done in the appropriate way! Children must be prevented from playing with polyethylene bags!

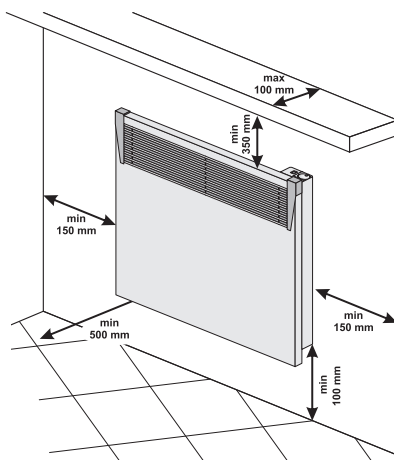
INSTALLATION INSTRUCTIONS

- This panel heater is designed to be used indoors, mounted on a wall.

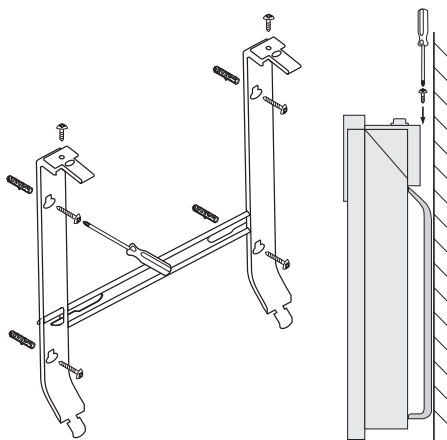
 **Important:** In premises bigger than 45 m³, it is recommended to use a combination of 2 or more panel heaters.

- Do not position the panel heater under a power socket or electricity connection box.

- DO NOT install/operate the panel heater:
 1. in places where a draught is present, which could influence the control settings;
 2. right under a power socket;
 3. in “Volume 1” for bathrooms;
 4. in “Volume 2” if the control board can be reached by a person who is in a shower or in a bathtub;
- for the wall-mounting of the panel heater, only the wall braces must be used which are delivered together with the appliance. When installing the panel heater, minimum safe distances must be observed



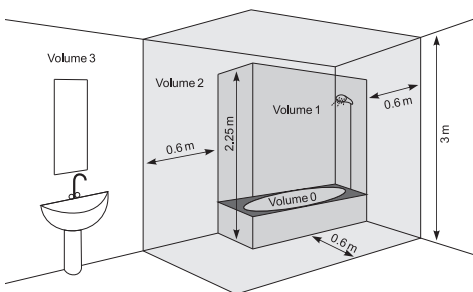
- First of all, remove the wall braces from the back of the appliance body. Unscrew the two screws which are positioned at the upper part of the two vertical bars of the wall braces. Then pull the upper part of the bar by pressing strongly the two upper parts which are inserted in the back of the body.



- Slide down the wall brace in order to detach it from the back of the body.
- Attach firmly the wall brace onto a wall through the four screw holes.
- Lift the panel heater up to almost vertical position and insert the two lower protruding parts of the braces into the two lower openings of the back cover of the panel heater. Then lift the panel heater and insert the two upper protruding parts of the wall braces into the two upper openings of the back cover of the heater. Finally, put the two screws back to their places and tighten them in order to install the panel heater firmly to the wall.

BATHROOM OPERATION

- The panel heater must be installed in accordance with the normal trade practices and in compliance with the national legislation (EU electricity directives and regulations concerning special installations and places of operation including bathrooms, shower cabins HD60364-7-701(IEC 60364-7-701:2006)).



- In case this panel heater is to be used in a bathroom or other similar room, the following installation requirements must be observed: the panel heater is with IP24 protection (water drops protection). Hence it can be installed in "Volume 2" (see the diagram below) in order to avoid the risk of the control board (power switch and thermo regulator) being reached by a person who is in a shower or a bathtub. The minimum distance between the appliance and a water source should be not less than 1 meter and it is compulsory the appliance to be wall-mounted! If you do not feel sure about the installation of this panel heater in a bathroom, we recommend you to consult a professional electrician.

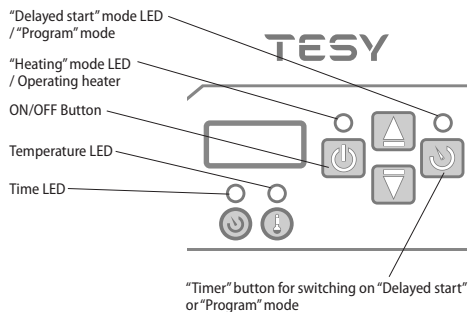
Note: If the above-mentioned instructions cannot be implemented, it is recommended to install the appliance in "VOLUME 3".

- In wet premises the power source must be installed at a height of at least 25 cm above the floor (bathrooms and kitchens).
- The installation must be equipped with a safety fuse, and the distance between the fuse contacts in disconnected condition should be at least 3 mm.

OPERATION INSTRUCTIONS

ELECTRONIC CONTROL

Operation Modes



Turn on the convector, press the switch in position "I" (On) $\frac{\text{I}}{\text{II}}$.

Time setting

The time setting is possible only in Off mode – the current day of the week, hour and minutes can be set.

To enter the time settings you need to keep simultaneously pressed the "ON/OFF" and "Timer" buttons. The parameter which is being set blinks on the display. To select a parameter to set, you need to press briefly the "Timer" button. To exit the settings, you need to press briefly for a third time the "Timer" button (after you have set the minutes).

You begin the settings with selecting a day of the week from 1 to 7 depending on which in order the current day of the week is, and the setting is done by entering the respective number. The hour and the minutes are displayed simultaneously and the parameter which is being set is blinking. You can change the value of the parameter by using the ▲ and ▼ buttons.

If no button is pressed for 10 seconds, you will exit the settings.

Switching on "Heating" mode

When the panel convector is switched off, the digital display shows the room temperature and only the Temperature LED is lit. If you press the "On/Off" button once, you will enable "Heating" mode. A red LED is lit indicating this mode. The digital display shows the set temperature for about 2 seconds, and during this time the Temperature LED is not lit. If the room temperature is lower than the set temperature, the heater will be automatically switched on.

When the heater is on the red LED is permanently lit!

Temperature setting

By pressing either of the buttons ▲ and ▼ you will enter the "Change the set temperature" mode. The display starts flashing and it shows the temperature which has been set so far. By pressing the buttons you can change

the temperature setting either up or down. If you don't press any button for 5 seconds, the new setting will be stored and the appliance will automatically go into "Heating" mode. If you keep pressed any of the buttons ▲ or ▼ for more than 0.7 seconds, the value of the set temperature will start increasing or decreasing by 4 units per second. The temperature setting ranges from 10 to 30 degrees Celsius.

"Delayed start" of the panel convector

When the convector is in Off mode, by pressing the "Timer" button you can enter a specific time after which the appliance will automatically go in "Heating" mode. This mode is indicated by a blinking yellow LED and inactive red LED. The digital display will show the room temperature when the Temperature LED is lit, and it will show the remaining time in hours until "Heating" mode will be activated and this will be indicated with a lit Timer LED. Upon activating this mode the yellow LED becomes lit, and the display starts flashing and showing the entered time in hours until the convector will be automatically switched on. Initially the display will show 12 hours, and by using the ▲ or ▼ buttons you can adjust the desired time. If you keep pressed any of the buttons ▲ or ▼ for more than 0.7 seconds, the value of the set time will start increasing or decreasing by 4 units per second. If you don't press any button for 5 seconds, or if you press the Timer button, the regulator will automatically go into "Delayed start" mode. If you enter time 00, this mode will not be activated. When the "Delayed start" mode is already active, if you press the "Timer" button again, you can correct the remaining time in both possible directions. After setting the time, the appliance goes into "Delayed start" mode with the display showing the temperature and the hours remaining until the appliance will switch to "Heating" mode. You can exit this mode by pressing the "On/Off" button. Then the convector will go into "Heating" mode. The "Delayed start" mode can be set within a range from 01 to 96 hours.

Switching off "Heating" mode

You can exit "Heating" mode by pressing the "On/Off" button. Then the heater will be switched off, and if it has been on by then, the red LED will go out. The display will continue showing the room temperature.

"Anti-frost function"

If the room temperature falls below 5 degrees Celsius and the convector is off (the red LED is not lit, but the mechanical switch is in position "I" (On) $\frac{I}{O}$), the heater will be automatically switched on in order to prevent from freezing.



Entering a temperature correction for the temperature sensor does not apply to this function.

Enabling and disabling the anti-frost function:

- this function is enabled by default
- to disable this function, the convector must be in "Off" mode, when you press the ▲ and "On/Off" button for three seconds the display will show a blinking "ON", and by pressing the ▼ button you will reach the "OFF" position, then you need to wait for 3 seconds and the function will automatically go in "OFF" mode.
- to enable this function again, the convector must be in "Off" mode, when you press the ▲ and "On/Off" button for three seconds the display will show a blinking "OFF", and by pressing the ▼ button you will reach the "ON" position, then you need to wait for 3 seconds and the function will automatically go in "ON" mode.

"Temperature correction for the sensor" function

Due to the specifics of the temperature profile in some premises there may be difference from the temperature shown on the display and the actually measured temperature in the various locations of the heating appliance in the room.

- See the temperature shown on the display of the appliance
- Measure the temperature at a place where the temperature is "comfortable" enough for you (usually at a height of 60 cm from the floor, in sitting position). If you find a difference within a range of $\pm 4^{\circ}\text{C}$, you can set the necessary correction in the convector's menu (It is important to note that this function can be set only after the temperature has become the same all around the room, and depending on the room type, the minimum required time is 7 hours) by entering the temperature difference resulting between the value on the display and the actually measured temperature.




Note: This function is used with the purpose of providing better temperature comfort and energy saving for the user of the electric convector in the room which it is in. A temperature difference greater than $\pm 4^{\circ}\text{C}$ from the measured temperature in a specific location in the room indicates that the room where you use the convector is not well insulated or the temperature is not the same all around the room.

Example: a convector in a room on a stone floor – the convector displays 18°C (the set temperature is 22°C), the actually measured temperature (feeling of reached comfort temperature) is 22°C at a height of 60 cm from the floor - > in this case the convector continues to overheat the room (this is a direct energy loss, but the convector cannot reach the set temperature because it measures the temperature at a low height close to the floor) and it will never switch off. In this case a temperature correction of $+4^{\circ}\text{C}$ needs to be applied to the sensor, thus the convector will display 22°C and it will start switching off, and eventually it will maintain the set temperature of 22°C .

The normal status of the function is 0°C by default

- to change this value, the convector must be in "Off" mode, when you press the ▼ and "On/Off" buttons for three seconds the display will show a blinking "0oc". You can press either the ▼ or ▲ button to reach the „-4°C" to „4°C" range, then you need to wait for 3 seconds and the function will be automatically stored.
- to check what correction has been set, the convector must be in "Off" mode, when you press the ▼ and "On/Off" buttons for three seconds you will see the set temperature blinking on the display. By pressing the ▼ or ▲ buttons you can set a new value within a range from „-4°C" to „4°C".

 **Note:** After activating the Return to Factory Settings function a new temperature correction has to be entered, the value by default is 0°C)

Adaptive start


- Adaptive start control is a function which predicts and initiates the optimal start of heating up in order to reach the set temperature in the desired time.
- this function is enabled by default
- to change the value, the convector must be in "Off" mode, when you press the „▲" and "Timer" buttons for three seconds the display will show a blinking "A_On". You need to press the „▼" button to reach „AOff"; then you need to wait for 3 seconds and the function will be automatically stored.
- To return to „ON" status – the convector must be in "Off" mode; when you press the ▲ and "Timer" buttons for three seconds the display will show a blinking "AOff"; you need to press the ▼ button to reach „A_On"; then you need to wait for 3 seconds and the function will be automatically stored.

This function can be set according to your needs.

The appliance operates for 17 hours following the set "comfort" temperature until it reaches a stable status – this is the reference comfort temperature. Also, a temperature lower than the comfort one, with a difference from 4°C ± 1°C, has to be set for a period of minimum 7 hours. When the adaptive operation is enabled, leave the electronic thermoregulator of the appliance to operate for 4 cycles (4 x 24 hours) of comfort cycles (17 hours) and lowered temperature (7 hours). Upon completion of the last period of low temperature, the comfort temperature should be reached within ± 30 minutes deviation from the set time, with a maximum difference of ± 1°C from the reference comfort temperature.

"Protection from children"

You can lock the buttons by continuously pressing the arrows ▼ and "Timer" buttons simultaneously, in order to prevent any changes to the settings. Repeat the same action to unlock the buttons.

 **Note:** If you press any of the buttons when the keypad is locked, the display will show „LOC_"

Settings in „Weekly programmer 24/7"



Entering settings mode of "Weekly programmer" is possible only after the time and the day of the week have already been set in the appliance..

To enter and exit the settings mode you need to continuously press the "Timer" button.

There are three parameters to be set – day of the week, time and temperature; switching among the three parameters is done by shortly pressing the "Timer" button in the following sequence: day, time, temperature. To store the settings, press shortly the "Timer" button after you finish the temperature setting.

You can change the value of each parameter by using the ▲ and ▼ buttons.

Conditions for settings storing

- After a point has been stored, it cannot be changed any more until you exit the current setting.
- Upon storing the first set point of a specific day in the current setting, all previously set points of the day are cleared.
- Storing further points of a specific day is possible only for the hours remaining until the end of the day, after the last stored point.
- When you have stored a point in the last hour of the day – 23.5h, you cannot store any more points for this day in the current setting, and the display will show "FUL" and the number of the day.
- If nothing is stored in the current setting for a specific day, it will keep the existing stored points up to the current setting.

The purpose of the settings is to store the three parameters in the so called "SET POINTS", where the temperature set for each set point is implemented until the next one is reached.

Example: If you have stored the temperature to be 22°C at 7 h and you wish the temperature to remain the same until 19 h (you plan the temperature to increase to 23°C then), you do not need store every single hour until 19 h, and you only need to store the temperature to be 23°C at 19 h. By default the temperature will be 22°C during this period of time (7 – 19 h).

The procedure for storing each point is as follows:

Upon entering settings mode the display will show dAY1, with the numeral blinking to indicate that this is the parameter to be set (in this case it is the day of the week).

- to select the desired day, use the ▲ and ▼ buttons
- to go to time setting, shortly press the "Timer" button
- use the ▲ and ▼ buttons to select the desired time (with a 0.5h interval) per point
- to go to temperature setting, shortly press the "Timer" button
- to select the desired temperature, use the ▲ and ▼ buttons. The possible temperature range is from 10 to

30°C, and OFF status is possible as well.

- f. To store the point, shortly press the "Timer" button; then you are automatically transferred to the setting of the next point (the display again shows dAYX) and you can proceed with paragraph a) for the next point.
- g. When you have stored a point in the last hour of the day – 23.5h, you cannot store any more points for this day in the current setting, and the display will show "FUL_" and the number of the day.



ATTENTION: Points of a particular day may be stored only in ascending order of their times.



Note: Before implementing paragraph f) the user can go back to paragraph a) to correct the three parameters of a point by shortly pressing the ON/OFF button, without storing the settings in the memory.

Adding more points in a particular day may be done at random, after you have stored points for other days, however you need to observe the rule for ascending order of their times in a day.

To exit the settings mode, press continuously the "Timer" button and wait for 30 seconds.

Upon leaving the settings you can review the stored points by using the ▲ and ▼ buttons, provided that the appliance is in programming mode.



Note: When you turn on the appliance, it will start operating in the (heating or programming) mode which it has last operated.



Note: You can switch between the modes of operation (heating or programming) by shortly pressing the "Timer" button when the appliance is switched on.

"Return to factory settings" function

When the convector is in "Off" mode, press the ▲ and ▼ buttons simultaneously for six seconds; then the display will show „_ _ _ _“ and rotating symbols. When it is "reset", the display will show the measured value of the room temperature.

After using the reset function, you need to re-enter the settings of the following functions:

- time setting
- enter a value of the temperature correction (if needed)
- disable the "Anti-frost" function (if needed)
- disable the "Adaptive start" (if needed)
- weekly programme - 24/7

If the electric convector is disconnected from the mains, this will not affect the set temperature and the mode of operation which has been active prior to its disconnection. If for example the convector has been in "Heating" mode, after it has been disconnected and reconnected to the mains, it will continue operating in the same mode with the same set temperature.



The principle of operation of the electric convector with energy-independent memory is to store the settings for 90 minutes guaranteed, and up to 150 minutes not guaranteed.

When the room temperature is lower than the temperature set by the electronic thermoregulator, the convector will start operating and will continue operating until the room temperature reaches the set value. When the room temperature is higher than the temperature set by the electronic thermoregulator, the convector will automatically go into "Standby" mode.

Information presented on panel heater display

Indications when you are not in settings mode:

- a. In Off mode – consecutively showing:
 - time (hour and minutes)
 - measured room temperature
- b. In Heating mode – it shows the measured room temperature
- c. In Programming mode – consecutively showing:
 - Day of the week, low line and the measured temperature. 6_22
 - Day of the week, low line and the temperature set in the programme blinking (set for the current hour), which may be also the OFF symbol. 6_23
- d. Upon connecting the convector to power supply the display shows:
 - Hyphens "----", if the appliance has been in Off mode before disconnecting it from the power supply.
 - Hyphens "----", which in 2 seconds will be replaced by the value of the current temperature, if the appliance has been in On mode before disconnecting it from the power supply.
- e. Two numerals (01÷96) and a blinking yellow LED indicate the remaining time in hours until the delayed start, if the appliance has been in "Delayed start" mode before disconnecting it from the power supply.
- f. With the purpose of further energy saving, the electronic thermoregulator reduces the brightness of illumination of all LEDs. Upon pressing any of the buttons the brightness increases for 8 seconds and it is then reduced again.
- g. If the display shows "t0" or "t1", this means that the self-diagnostic system has found a problem with the temperature sensor. "t0" indicates a disconnected cable at the sensor, while "t1" indicates short circuit at the sensor. In this case the electric convector will be automatically switched off and it can be switched on again only after the problem has been fixed. The problem has to be handled by a qualified specialist.
- h. Upon switching on the power supply the display will show hyphens "----" for 2 seconds instead of temperature of time.

- i. When the digital display shows the temperature the "Temperature" LED is lit, and when it shows the time, the "Timer" LED is lit.

PROTECTION

- The appliance is equipped with a safety thermo turn-off device, which automatically turns the heater off in cases of extreme temperature of the panel heater /i.e. overheating of the appliance/.
- The safety thermo turn-off device will automatically restore the heater operation when the temperature of the appliance falls below the permissible ultimate values.

CLEANING

- It is compulsory first to turn off the appliance through its power switch and to disconnect it from the power socket. Before starting the cleaning session you should wait until the panel heater cools down in a disconnected state.
- The panel heater can be cleaned with little efforts at the appliance rear part – just press the "P"-shaped braces /figure 2/ at the back of the appliance so that you can dismantle it and consequently you can clean the rear part of the appliance.
- Clean the heater body with damp cloth, vacuum cleaner or a brush.
- Never immerse the appliance into water – there is danger for your life from electric shock!
- Never use gasoline, thinner or hard abrasive products to clean the appliance, because they will damage the appliance coating.

STORAGE

- Before putting the panel heater away let it cool down after you have disconnected it from the power socket
- Use the appliance original packing to store it, if the panel heater will not be in use for a long period of time. By storing the product in its original packing you protect it from excessive dirt and dust accumulation.
- Never put a hot panel heater in its packing!
- It is necessary the product to be stored at a dry and dark place, protected from direct sun light.
- It is explicitly forbidden to store the panel heater in damp and wet premises.

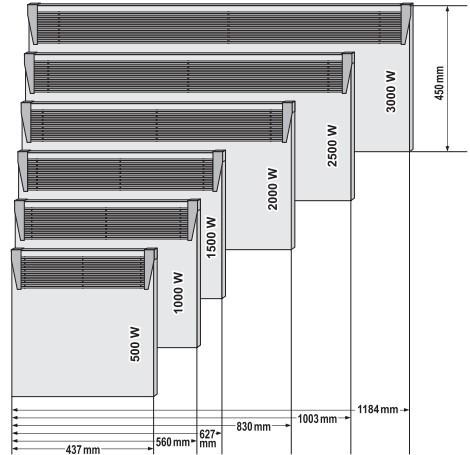
MAINTENANCE OPERATIONS OF THE APPLIANCE

- In case of appliance malfunction, please contact the authorized service center closest to your location. / service centers are indicated in appliance warranty documents/.
- **Important:** In case of a claim and/or violation of your consumer rights, please contact the supplier of this appliance at the indicated locations or via the Internet page of the company: www.tesy.com

DIMENSIONS OF HEATED VOLUME AND HEATED AREA OF A ROOM / APPLIANCE MODELS

Model	Heated volume	Heated area
CN 03 050 EIS W - 500W	10* - 15 m ³	4* - 6 m ²
CN 03 100 EIS W - 1000W	20* - 30 m ³	8* - 12 m ²
CN 03 150 EIS W - 1500W	30* - 45 m ³	12* - 18 m ²
CN 03 200 EIS W - 2000W	40* - 60 m ³	16* - 24 m ²
CN 03 250 EIS W - 2500W	50* - 70 m ³	20* - 28 m ²
CN 03 300 EIS W - 3000W	60* - 80 m ³	24* - 32 m ²

* Minimum guaranteed heated volume (area) for heating at an average capacity of heat transmission factor $\lambda=0.5 \text{ W}/(\text{m}^2\text{K})$ for a heated room. Higher values of heated volume (area) can be achieved at an average value of $\lambda=0.35 \text{ W}/(\text{m}^2\text{K})$. Standard height of heated rooms – 2.5 meters.



Warning: Do not cover the appliance in order to prevent overheating!



Environment protection instructions


Obsolete electric appliances contain valuable materials and consequently they should not be treated as domestic waste! We ask for your cooperation and your active contribution to protect the resources and the environment. Please submit your out-of-use appliances to the organized buy-back stations (if there are such).

TABLE 2: INFORMATION REQUIREMENTS FOR ELECTRIC LOCAL SPACE HEATERS

Model identifier(s): 1.CN03 050 EIS W; 2.CN03 100 EIS W; 3.CN03 150 EIS W; 4.CN03 200 EIS W; 5.CN03 250 EIS W; 6.CN03 300 EIS W 230V~ 50Hz


Item	Symbol	Value 1	Value 2	Value 3	Value 4	Value 5	Value 6	Unit	Item	Unit
Heat output									Type of heat input for electric storage local space heaters only (select one)	
Nominal heat output	P_{nom}	0.50	1.00	1.50	2.00	2.50	3.00	kW	Manual heat charge control, with integrated thermostat	[no]
Minimum heat output (indicative)	P_{min}	0.00	0.00	0.00	0.00	0.00	0.00	kW	Manual heat charge control, with room and/or outdoor temperature feedback	[no]
Maximum continuous heat output (indicative)	$P_{max,C}$	0.50	1.00	1.50	2.00	2.50	3.00	kW	Electric heat charge control, with room and/or outdoor temperature feedback heat charge control, with integrated thermostat	[no]
Auxiliary electricity consumption									Fan assisted heat output	[no]
At nominal heat output	$e_{l,max}$	0.43	0.93	1.44	1.91	2.45	2.91	kW	Type of heat output/room temperature control (select one)	-
At minimum heat output	$e_{l,min}$	0.00	0.00	0.00	0.00	0.00	0.00	kW	Single stage heat output and no room temperature control	[no]
In standby mode	$e_{l,SB}$			0.00033				kW	Two or more manual stages, no room temperature control	[no]
									With mechanic thermostat room temperature control	[no]
									With electronic room temperature control	[no]
									With electronic room temperature control plus day timer	[no]
									With electronic room temperature control plus week timer	[yes]
									Other control options (multiple selections possible)	
									Room temperature control, with presence detection	[no]
									Room temperature control, with open window detection	[no]
									With distance control option	[no]
									With adaptive start control	[yes]
									With working time limitation	[no]
									With black bulb sensor	[no]

TESY Ltd
48 Madara Blvd,
Shumen, 9700,
Bulgaria

 Прочетете настоящите инструкции преди да използвате този уред и съхранявайте тези указания за бъдещо ползване. При смяна на собственика, инструкцията за експлоатация трябва да се предава заедно с уреда.

Благодарим Ви, че избрахте конвектор CN03. Това е изделие, което предлага отопление през зимата в зависимост от нуждите за постигане на комфортна топлина в отопляемото помещение. При правилна експлоатация и грижа, както е описано в тези инструкции, уредът ще Ви осигури много години полезно функциониране.


ВАЖНИ ПРЕДПАЗНИ МЕРКИ И ИНСТРУКЦИИ ЗА БЕЗОПАСНОСТ:

 Деца на по-малко от 3 години, трябва да се държат на разстояние, освен ако не са под непрекъснато наблюдение.

Деца на възраст от 3 години до 8 години могат само да използват бутона вкл./изкл. на уреда, при условие, че уреда е инсталиран и е готов за нормална работа и са били наблюдавани и инструктирани относно използването му по безопасен начин и разбират, че може да е опасно.

Деца на възраст от 3 години до 8 години не трябва да включват уреда в контакта, да го настройват, да го почистват или да извършват потребителска поддръжка.

Този уред може да се използва от деца на възраст над 8 години и лица с ограничени физически, сетивни или умствени способности, или с недостатъчен опит и познания, ако те са наблюдавани или инструктирани относно безопасното използване на уреда и разбират опасностите. Децата не трябва да си играят с уреда. Почистване и потребителска поддръжка не трябва да се прави от деца без наблюдение.

 Някои части на този продукт може да станат много горещи и да предизвикат изгаряния. Там където, присъстват деца и уязвими хора, трябва да бъде предоставено специално внимание.

- Преди да включите уреда – проверете дали посоченото напрежение върху типовата табелка съответства на напрежението доставяно до дома Ви.
- Този уред трябва да се използва само по предназначението, за което е бил предвиден, т.е. да отоплява битови помещения. Уреда не е предназначен за търговски цели. Всяка различна употреба да се счита за неправилна и следователно опасна. Производителят не може да носи отговорност за повреди, произтичащи от неправилна и неразумна употреба. Неспазване на информацията за безопасност ще направи невалидна поетата гаранция за уреда!
- Не напускате дома си, докато уреда е включен: уверете се, че ключа е в изключено положение (отнася се за конвектор с механично управление).
- Дръжте запалими предмети, като мебели, възглавници, спално бельо, хартия, дрехи, пердетата и т.н. на разстояние от поне 100 см далеч от конвектора.
- Не използвайте уреда, където се използват или съхраняват запалими вещества (например: в близост до запалими газове или аерозоли) - съществува много голяма опасност от експлозия и пожар!
- Не вкарвайте и не допускате чужди тела да попаднат в отворите за вентилация (входящи или изходящи), тъй като това ще причини токов удар, пожар или повреда в конвектора.
- Уреда не е подходящ за отглеждане на животни,

и същия е предвиден само за домашно ползване!


- Не покривайте предпазните решетки, не блокирайте влизането или излизането на въздушни поток ,като поставяте уреда срещу дадена повърхност. Всички предмети трябва да са на разстояние поне 1 метър от уреда отпред и странично.
- Най-често срещаната причина за прегряване е натрупването на мъх и прах в уреда. Редовно почиствайте с прахосмукачка вентилационните отвори, като преди това задължително изключите уреда от електрическата мрежа.
- Никога не пипайте уреда с мокри или влажни ръце- съществува опасност за живота!
- Контактът трябва да бъде достъпен по всяко време, за да може щепсела да бъде освобождаван при нужда възможно най-бързо ! Никога не теглете захранващия шнур или самия уред при изключване от мрежата.
- Обърнете внимание! Изходящия въздух се загрява по време на работа (до повече от 100°C).
- Ако захранващия шнур на този уред е повреден, преустановете употребата му и се свържете с доставчика/ продавача за допълнително инструкции.
- Ако решите да престанете да използвате уред от този тип, препоръчва се да го направите неизползваем, като срежете шнура, след като сте го изключили от мрежата. Препоръчва се още всички опасности, свързани с уреда да бъдат обезопасени, особено за деца, които биха могли да използват амортизираното устройство(уред) за игра.
- Уреда не трябва да се поставя непосредствено под щепселна кутия!
- Внимание: Не използвайте този уред с програматор, брояч или друг уред който автоматично го включва тъй като, ако уреда е покрит или неправилно поставен съществува опасност от пожар.
- Поставете захранващия шнур, така че да не пречи на движението на хората и да не бъде настъпван ! Използвайте само одобрени удължители, които са подходящи за уреда, т.е. имат знак за съответствие!
- Никога не премествайте уреда, като го дърпате за шнура както и не използвайте шнура за пренасяне на предмети!
- Не пречупвайте шнура и не го дърпайте през остри ръбове и не го поставяйте върху горещи плочи или открит огън!

ОПАКОВКА

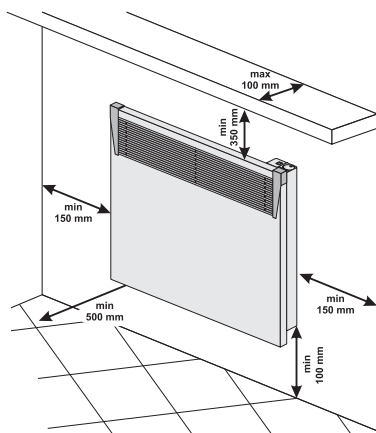
- След разопаковане на уреда, проверете дали при транспортирането не е увреден и дали е напълно окомплектован! В случай че бъде констатирана повреда или непълна доставка, свържете се с Вашия упълномощен продавач!
- Не изхвърляйте оригиналната кутия! Тя би могла да се използва за съхранение и транспортиране, за да се избегнат повреди от превозването!
- Изхвърлянето на опаковъчния материал трябва да става по подходящ начин! Децата трябва да се пазят да не си играят с полиетиленовите торби!

ИНСТРУКЦИЯ ЗА МОНТАЖ

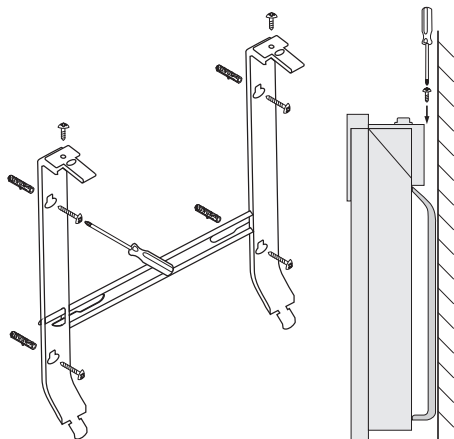
- Този конвектор е проектиран за ползване в закрити помещения, монтиран на стена.

 **Важно:** При помещения с обем над 45 m³ е препоръчително използването на комбинация от 2 и повече конвектора

- Не поставяйте конвектора под електрически контакт или свързваща кутия.
- Не монтирайте/използвайте конвектора
 1. на място, където има тяга, за да не се въздейства на контролните настройки
 2. непосредствено под електрически контакт;
 3. в пространство 1 (volume 1) за бани;
 4. в пространство 2 (volume 2), ако контролното табло може да бъде достигнато от човек, който е под душа или във ваната;
- За монтирането на конвектора на стена трябва да се използват само скобите за стена, доставени заедно с конвектора. При монтажа на конвектора трябва да се спазват минималните отстояния от уреда



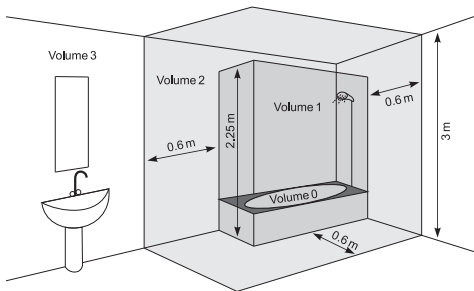
- Първо махнете скобите за стена от задния корпус. Развийте двата винта, разположени в горната част на двете вертикални шини на скобите за стена. След това издърпайте горната част на шината като натиснете силно двете горни части, пъхнати в задния корпус



- Плъзнете надолу скобата за стена, за да я откачите от задния корпус
- Прикрепете здраво към стената скобата за стена, чрез направените четири дупки за винтове
- Повдигнете конвектора почти до вертикално положение и вкарайте двете долни издадени части на скобите за стена в двата долни прореза в задния капак на конвектора. После повдигнете конвектора и вкарайте двете горни издадени части на скобите за стена в двата горни прореза в задния капак на конвектора. Накрая върнете на мястото им и затегнете двата винта, за да закрепите здраво конвектора за стената.

ИЗПОЛЗВАНЕ В БАНЯ

- Конвекторът, трябва да бъде монтирана съобразно с нормалната търговска практика и в съгласие със законодателството на съответната страна(директивите за електричество на ЕО и изискванията за специални монтаж и места включващи бани, или душ кабин и HD60364-7-701 (IEC 60364-7-701:2006)).



- Ако този конвектор бъде използван в баня или друго подобно помещение, трябва да бъдат спазени следното изисквания при инсталиране: Конвекторът е със защита IP24 (защита от пръски вода). Поради този факт трябва да се монтира в пространство 2 (volume 2) (виж схема по-долу), за да се избегне възможността от това контролното табло(ключ и терморегулатор) на конвектора да бъде достигнато от човек ,който е под душа или във ваната. Минималното разстояние от уреда до воден източник трябва да бъде не по малко от 1 метър и уреда да бъде задължително монтиран на стената! Ако не сте сигурни относно инсталирането на този конвектор в помещението за баня, ние препоръчваме да се консултирате с професионален електротехник.

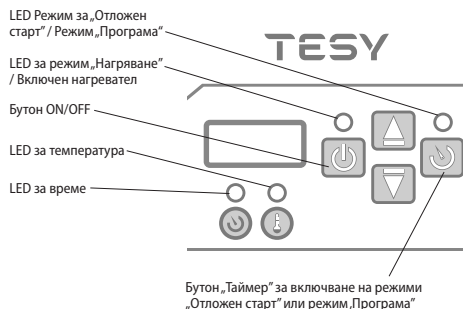
Забелжка: ако не могат да се изпълнят посочените по-горе условия се препоръчва монтажа да се осъществи в пространство 3 (VOLUME 3)

- Във влажни помещения(бани и кухни) източника на захранване трябва да е монтиран на височина минимум 25 см от пода
- Инсталацията трябва да бъде снабдена с автоматичен предпазител, при който разстоянието между контактите когато е изключен трябва да бъде най-малко 3 мм.

ИНСТРУКЦИЯ ЗА ЕКСПЛОАТАЦИЯ

ЕЛЕКТРОННО УПРАВЛЕНИЕ

Режими на работа



Включете конвекторът, натиснете Ключът в положение "I" (Включено)

Настройка на часовника

Настройка на часовника е възможна само в режим изключено – настройва се текущия ден от седмицата, час и минути.

Влизането в настройка на часовника става с едновременно дълго натискане на бутони „ON/OFF” и „Timer”. Параметърът, който се настройва пулсира на дисплея. Изборът на параметъра за настройка става с кратко натискане на бутона „Timer”. Излизането от

настройка става с третото кратко натискане на бутон „Timer“ (след настройката на минутите).

Настройката започва с ден от седмицата от 1 до 7 в зависимост, от това кой по ред е текущия ден е от седмицата и се настройва чрез съответната цифра. Часовете и минутите се показват едновременно на дисплея, като пулсира само параметъра за настройка. Изменението на стойността на параметъра се извършва с бутоните ▲ и ▼.

Ако до 10 сек не се натиска бутон се излиза от настройка.

Включване на режим „Нагриване“

Когато панелният конвектор е изключен на цифровия дисплей трябва да се извежда стайната температура и да свети само „LED за температура“. При еднократно натискане на бутон „On/Off“ се преминава към режим „Нагриване“. Тогава се включва червеният светодиод индикиращ този режим. За около 2 секунди върху цифровият дисплей се извежда настроената температура и за този период „LED за температура“ не свети. Ако стайната температура е по-малка от настроената автоматично се включва нагревателя.

Когато нагревателя е включен червеният светодиод свети постоянно!

Задаване на температурата

С натискане на някой от бутоните ▲ или ▼ се преминава в режим „Промяна на зададената температура“. Дисплеят започва да мига и на него се изписва зададената до момента температура. Със следващите натискания на бутоните се променя зададената в желаната посока. Ако до 5 сек. не се натисне нов бутон, новото задание се запомня и се преминава автоматично в режим „Нагриване“. Ако някой от бутоните ▲ или ▼ се задържи над 0.7 сек., стойността на зададената температура започва автоматично да се увеличава или намалява със скорост 4 единици в секунда. Границите на регулиране на зададената температура са от 10 до 30 градуса.

„Отложен старт“ на включването на панелният конвектор.


Когато конвекторът е в режим „Изключено“, с натискане на бутон „Таймер“ се позволява въвеждане на време, след което автоматично да се премине към режим „Нагриване“. Този режим се индицира с мигащ жълт светодиод и загаснал червен светодиод. На цифровият дисплей ще се редуват показанията за околната температура, когато свети „LED за температура“ и оставащото време в часове до включване на „Нагриване“, когато свети „LED за време“. Непосредствено след включване на този режим жълтият светодиод светва, а дисплеят започва да мига като изписва въвежданото време в часове,

до включване на конвектора. Първоначално се зарежда 12 часа и с натискане на бутоните ▲ или ▼ се променя времето в желаната посока. Ако някой от бутоните ▲ или ▼ се задържи над 0.7 сек., стойността на времето започва автоматично да се увеличава или намалява със скорост 4 единици в секунда. Ако до 5 сек. не се натисне нов бутон или се натисне бутон „Таймер“, регулаторът минава към изпълнение на режим „Отложен старт“. Ако се въведе време 00, режимът не се изпълнява. Ако вече се изпълнява режим „Отложен старт“ и се натисне отново бутон „Таймер“, може да се коригира оставащото време в двете възможни посоки. След настройка на времето се преминава към режим „Отложен старт“, като на дисплеят освен температурата се отброяват останалите часове до преминаване към „Нагриване“. От този режим може да се излезе с натискане на бутон „On/Off“. Тогава конвекторът ще премине към режим „Нагриване“. „Отложен старт“ може да се настройва от 1 до 96 часа.

Изключване на режим „Нагриване“

От режим „Нагриване“ може да се излезе с натискане на бутон „On/Off“. Тогава нагревателя се изключва, ако е бил включен преди това, загасва червеният светодиод. На дисплея продължава да се извежда стайната температура.

Функция „Против замръзване“

Ако температурата в помещението падне под 5 градуса и конвекторът е изключен (не свети червеният светодиод, но включен Механичния ключ е положение „I“ (Включено) ) , нагревателя ще се включи автоматично с цел предпазване от замръзване.



Задаването на температурна корекция на температурния датчик не важи за тази функция.

Активирани и деактивирани на функцията:

- функция е включена по фабрични настройки
- ако желаете да изключите функцията - конвекторът е в режим „Изключен“, натискайки бутон ▲ и бутон „On/Off“ за три секунди - на дисплея започва да мига „ON“, като натиснете бутон ▼ ще достигнете позиция „OFF“, изчаквате 3 секунди и функцията автоматично ще премине в режим „OFF“.
- ако желаете отново да включите функцията - конвекторът е в режим „Изключен“, натискайки бутон ▲ и бутон „On/Off“ за три секунди - на дисплея започва да мига „OFF“, като натиснете бутон ▼ ще достигнете позиция „ON“, изчаквате 3 секунди и функцията автоматично ще премине в режим „ON“.

Поради спецификата на температурния профил в различните помещения може да има разлика от показаната на дисплея температура и реално измерената в различните местоположения на отоплителния уред в стаята.

- Погледнете температурата, която показва дисплея на уреда
- Измерете температурата на място където температурата е достатъчно „комфортна“ за Вас (обикновено на височина около 60см от пода, в седнало положение). При констатирана разлика в диапазона $\pm 4^{\circ}\text{C}$ можете да зададете нужната корекция в менюто на конвектора (Важно условие – функцията може да се настройва само след temperиране на отопляемото помещение – според вида помещене минималното нужно време е 7 часа) с получената разлика между показанието на конвектора и измерената температура.

Забележка: тази функция се използва с цел по-добър температурен комфорт и енергоспестяване за потребителя на електрическия конвектор, в помещението, където се намира. По-голяма разлика от $\pm 4^{\circ}\text{C}$ на измерената температура в желаното местоположение в стаята, означава, че стаята, където използвате конвектора не е добре изолирана или не е добре temperирана.

Пример: конвектор поставен в помещение, над каменен под – показания на конвектора 18oc(при зададена 22°C), измерена реална температура(чувство за достигната комфортна температура) 22°C на височина от пода 60см - > в този случай, конвектора продължава да претоплява помещението(това е директна енергозагуба, но конвектора не може да достигне зададената температура след като измерва температура ниско долу до пода) и никога няма да се изключи. Нужно е да се зададе температурна корекция +4°C на датчика – в този случай конвектора ще показва 22°C и ще започне да се изключва – като ще поддържа зададената температура 22°C)

Нормалното състояние на функцията е 0°C по фабрични настройки

- ако желаете да промените стойността - конвекторът е в режим „Изключен“, натискайки бутон **▼** и бутон **“On/Off”** за три секунди - на дисплея започва да мига, „0°C“ Може да натисне бутон **▼** или бутон **▲** за да достигне диапазон „-4°C“ до „4°C“, изчаквате 3 секунди и функцията ще се запази автоматично.
- Когато искате да проверите, каква корекция е настроена - конвекторът е в режим „Изключен“, натискайки бутон **▼** и бутон **“On/Off”** за три

секунди - на дисплея започва да мига зададената температура. Можете да натискате бутон **▼** или бутон **▲** за да дадете нова стойност в диапазона „-4°C“ до „4°C“.

Забележка: След функцията за фабрично нулиране - следва да се зададе отново корекция на температурата, фабричната стойност е 0°C.

Адаптивен старт

- адаптивен стартов контрол означава функция, която предсказва и инициира оптималното начало на загаряване, за да се достигне зададената температура в желаното време
- функция е включена по фабрични настройки
- ако желаете да промените стойността - конвекторът е в режим „Изключен“, натискайки бутон **▲** и бутон **“Timer”** за три секунди - на дисплея започва да мига „A_On“, трябва да натиснете **▼** за да достигнете „AOff“, изчаквате 3 секунди и функцията ще се запази автоматично.
- За да се върнете отново в състояние „ON“ - конвекторът е в режим „Изключен“, натискайки бутон **▲** и бутон **“Timer”** за три секунди - на дисплея започва да мига „AOff“, трябва да натиснете **▼** за да достигне „A_On“, изчаквате 3 секунди и функцията ще се запази автоматично.


Тази функция се настройва според Вашите нужди. Уредът работи по настроена температура на „комфорт“ до достигане на стабилно състояние 17 часа – тази температура е референтна комфортна температура. Трябва да се настрои и период с пониска температура за минимум 7 часа, от тази която е зададена за комфортна с разлика от $4^{\circ}\text{C} \pm 1^{\circ}\text{C}$. При активираното адаптивно управление - оставете електронния терморегулатор на уреда да работи в продължение на 4 цикъла (4 x 24 часа) на цикли на комфорт (17 часа) и понижена температура (7 часа). След завършване на последния период на понижение, температурата на комфорт трябва да бъде достигната в рамките на ± 30 минути отклонение към зададеното време - с максимална разлика от $\pm 1^{\circ}\text{C}$ от референтната комфортна температура.

“Защита от деца”

Може да заключите бутоните, чрез продължително едновременно натискане на стрелките **▼** и „Таймер“, за да предотвратите промяна на настройките. Повторете същото действие, за отключване на бутоните.

Забележка: Когато клавиатурата е заключена и натиснете някои бутони, дисплея трябва да покажете надпис „LOC_“

Настройки в „Седмичен програматор 24/7”

 **Влизане в режим настройки на „Седмичен програматор“ е възможно, само ако на уредът са настроени час и ден от седмицата.**

Влизането в режим настройки и излизането от него, става чрез дълго натискане на бутон „Timer“.

Параметрите за настройка са три – ден от седмицата, час и задание температура, като превключването на трите параметъра става с кратко натискане на бутон „Timer“ в последователност ден, час, температура. Записът се извършва с кратко натискане на бутон „Timer“, след настройката на последния параметър – температурата.

Изменението на стойността на всеки параметър става с бутоните ▲ и ▼.

Условия при запис

- След запис в точка повече не може да се променя до излизането от текущата настройка.
- При записа на първата реперна точка от даден ден в текущата настройка, всички точки от деня предварително се изчистват.
- Запис на следващи точки в даден ден е възможно само в часовете до края на деня, след последно записаната точка
- При запис в последния час от деня – 23.5h, в този ден повече записи не могат да се правят в текущата настройка и на екрана се изписва надписа *FUL* и номера на деня.
- Ако в даден ден не се извършват никакви записи в текущата настройка, то в него се запазват съществуващите до текущата настройка записи.

Целта на настройките е да се запишат трите параметъра в така наречените реперни точки (SET POINTS), като зададената температура във всяка реперна точка се изпълнява до следващата такава.

Пример: Ако в даден ден сте направили запис в 7 часа с температура 22°C, и искате тя да остане същата до 19 часа (тогава планирате да стане 23°C), не е нужно да запаметявате един по един до 19 часа за всеки един час, а трябва единствено да запаметите температура 22°C в 7 часа и температура 23°C в 19 часа. По подразбиране в този период (7-19 часа) от време температурата ще е 22°C.

Механизмът на запис на всяка точка е следният:

След влизане в настройки на екрана се изписва *dAY1*, като цифрата пулсира, което означава, че това е параметъра за настройка (в случая ден от седмицата).

- С бутоните ▲ и ▼ се избира желаната ден
- С кратко натискане на бутон „Timer“ се преминава към настройка на час
- С бутоните ▲ и ▼ се избира желаната час (със

стъпка 0,5h) на точка

- С кратко натискане на бутон „Timer“ се преминава към настройка на задание на температура
- С бутоните ▲ и ▼ се избира желаната температура. Възможните температури са от 10 до 30°C и изключено състояние OFF.
- С кратко натискане на бутон „Timer“ се извършва запис на точка и се преминава към настройка на следващата точка (на екрана отново е изписано *dAYX*) и се преминава към параграф а/ за следващата точка.
- При запис в последния час от деня – 23.5h, в този ден повече записи не могат да се правят в текущата настройка и на екрана се изписва надписа *FUL* и номера на деня.



ВНИМАНИЕ: Точките в определен ден могат да се записват само във възходящ ред на часовете.



Инфо: Преди изпълнение на параграф f) операторът може да се връща назад до параграф а) за корекция на трите параметъра на точката с кратко натискане на бутон **ON/OFF**, без да се извършва запис в паметта.

Дописването на точки в даден ден може да става произволно, след записи на точки в други дни, но само със спазване на правилото за възходящия ред на часовете в деня.

Излизането от настройките е чрез дълго натискане на бутон „Timer“ или изчакване на 30 сек.

След излизане от настройките е възможно разглеждане на записаните точки, чрез бутоните ▲ и ▼ ако устройството е в програмен режим.



Забележка: След включване уредът преминава в режим (нагряване или програмен), в който последно е работило.



Забележка: Превключване на режима на работа (нагряване или програмен), чрез кратко натискане на бутон **Timer** при включено състояние.

Функция „Нулиране“ до фабричните настройки

Когато конвекторът е в режим „Изключен“, се натиска едновременно бутон ▲ и ▼ за шест секунди - след това на дисплея започва да мига „_ _ _“ и да се въртят символите. Когато се „Нулира“ ще видите на дисплея измерената стойност на околната температура.

След като използвате функцията за нулиране, трябва да зададете отново функциите по-долу:

- задаване на часовник

- задайте стойност за корекция на температурата (ако имате нужда)
- деактивиране на функцията Режим против замръзване (ако имате нужда)
- деактивирайте адаптивния старт (ако имате нужда)
- седмична програма - 24/7

Ако електрическият конвектор се изключи от захранващата мрежа това няма да промени зададената температура и режима на работа, останал преди изключването му. Ако например е бил в режим **„Нагриване“**, при изключването на уреда и след включването му, отново ще е в този режим със същата зададена температура.



Принципа който е заложен в електрическия конвектор с енергонезависимата памет е да съхранява настройките гарантирано до 90 минути и без гаранция до 150 минути.

Когато температурата в помещението е по-ниска, от тази която сте настроили с помощта на електронния терморегулатор, конвекторът стартира работа си и ще работи до момента когато температурата в помещението достигне зададената стойност. Когато температурата в помещението е по-висока от зададената с терморегулатора стойност, конвекторът автоматично ще се превключи в режим на „Готовност за включване“.

Извеждана информация на дисплея

Показания на индикацията, ако не сме в настройка:

- В режим изключено – последователно показване на:*
 - часовник (час и минути)
 - измерената стайна температура
- В режим нагриване – показва измерената стайна температура*
- В режим програмен - последователно показване на:*
 - ден от седмицата долна черта и измерената температура. 6_22
 - ден от седмицата долна черта и пулсиращо зададената в програмата температура (задание за текущия час), която може да бъде и символа OFF. 6_23
- При включване на захранването на конвектора, на дисплея се изобразяват:*
 - чертички „----“, ако при изключване на захранването той е бил в състояние изключен.
 - чертички „----“, които след 2 сек се заменят с показание за моментната температура, ако при изключване на захранването той е бил в състояние включено.

- Две цифри (01÷96) в комбинация с мигане на жълтия светодиод, които показват останалото време в часове до отложения старт, ако при изключване на напрежението конвектора е бил в режим „Отложен старт“.*
- С цел допълнителна икономия на електроенергия, електронния терморегулатор намалява яркостта на светене на всички индикатори. При натискане на произволен бутон, яркостта се увеличава за 8 секунди, след което отново се намалява.*
- Ако на дисплея се изведе „t0“ или „t1“ означава, че системата за само-диагностиката е открила проблем в термосензорът. „t0“ е при прекъснат кабел на сензорът а „t1“ при сензор на късо. В този случай електрическият конвектор се изключва и повторното му включване ще е възможно след отстраняване на дефекта. Повредата трябва да се отстрани от квалифициран специалист.*
- При включване на захранването до 2 секунди на дисплея ще се изведат чертички „----“ вместо температура или време.*
- Когато на цифровият дисплей се извежда температура свети „LED за температура“, когато се извежда времето до отложен старт, свети „LED за време“.*

ЗАЩИТА

- Уредът е снабден с предпазен термоизключвател, който автоматично изключва нагревателя в случаите на повишението на температурата в конвектора над допустимите стойности /т.нар прегряване на уреда/.
- Предпазният термоизключвател автоматично възстановява работата на конвектора, едва когато температурата на уреда падне под допустимите предели стойности.

ПОЧИСТВАНЕ

- Задължително първо изключете уреда от ключа и извадете щепсела от контакта в стената. Преди да започнете да почиствате конвектора, оставете го да изстине като го изключите от контакта
- Конвекторът може да бъде почистен с минимални усилия в задната си част – просто натиснете „P“-образните скоби на гърба на уреда, като по този начин може да го освободите и съответно да почиствате задната му страна.
- Почиствайте корпуса с влажна кърпа, прахосмукачка или четка.
- Никога не потапяйте уреда във вода - съществува опасност за живота от токов удар!
- Никога не използвайте бензин, разреждател или груби абразивни продукти за почистване, тъй като те ще повредят покритието на уреда

СЪХРАНЕНИЕ

- Преди да приберете конвектора, оставете го да изстине като го изключите от контакта
- Използвайте оригиналната опаковка за съхранение на конвектора ако същия няма да се използва за известно време. Продукта се предпазва от прекомерно запрашаване и замърсяване като се прибира в оригиналната си опаковка.
- Никога не прибирайте топъл уред в опаковка му!
- Продукта е необходимо да се съхранява в сухо и защитено от пряка слънчева светлина местоположение.
- Изрично се забранява неговото съхраняване във влажни или мокри помещения.

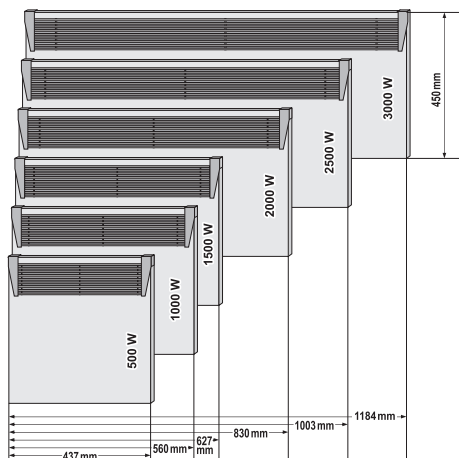
СЕРВИЗНА ПОДДРЪЖКА НА УРЕДА

- В случай на неизправност на уреда, моля свържете се с най-близкият до Вас оторизиран сервиз. / посочени са в гаранционната карта на изделието./
- **Важно:** В случай на рекламация и/или нарушаване на Вашите права като потребител, моля свържете се с доставчика на този уред на посочените адреси или чрез интернет страницата на компанията: www.tesy.com

РАЗМЕРИ НА УРЕДА, ОТОПЛЯЕМ ОБЕМ И ПЛОЩ В ПОМЕЩЕНИЕ

Модел	Отопляем обем	Отопляема площ
CN 03 050 EIS W - 500W	10* - 15 m ³	4* - 6 m ²
CN 03 100 EIS W - 1000W	20* - 30 m ³	8* - 12 m ²
CN 03 150 EIS W - 1500W	30* - 45 m ³	12* - 18 m ²
CN 03 200 EIS W - 2000W	40* - 60 m ³	16* - 24 m ²
CN 03 250 EIS W - 2500W	50* - 70 m ³	20* - 28 m ²
CN 03 300 EIS W - 3000W	60* - 80 m ³	24* - 32 m ²

* Минимален гарантиран отопляем обем(площ) за отопление при среден коефициент на топлопроводимост $\lambda=0.5 \text{ W}/(\text{m}^2\text{K})$ за отопляемото помещение. По високите стойности за отопляемия обем(площ) се постигат при средна стойност на $\lambda=0.35 \text{ W}/(\text{m}^2\text{K})$. Стандартна височина на помещенията – 2.5 метра.



Внимание: за да се избегне прегряване, не покривайте уреда!



Указания за опазване на околната среда

Старите електроуреди съдържат ценни материали и поради това не трябва да се изхвърлят заедно с битовата смет! Молим Ви да съдействате с активния си принос за опазване на ресурсите и околната среда и да предоставите уреда в организиранието изкупвателни пунктове(ако има такива).


ТАБЛИЦА 2: ИЗИСКВАНИЯ КЪМ ИНФОРМАЦИЯТА ЗА ЕЛЕКТРИЧЕСКИ ЛОКАЛНИ ОТОПЛИТЕЛНИ ТОПЛОИЗТОЧНИЦИ

Идентификатори на модела: 1.CN03 050 EIS W; 2.CN03 100 EIS W; 3.CN03 150 EIS W; 4.CN03 200 EIS W; 5.CN03 250 EIS W; 6.CN03 300 EIS W 230V~ 50Hz

Позиция	Символ	Стойност 1	Стойност 2	Стойност 3	Стойност 4	Стойност 5	Стойност 6	Мерна единица	Позиция	Мерна единица
Топлинна мощност									Вид топлинно зареждане, само за електрически акумулиращи локални отоплителни топлоизточници (изберете един)	
Номинална топлинна мощност	P_{nom}	0.50	1.00	1.50	2.00	2.50	3.00	kW	ръчен регулатор на топлинното зареждане с [не] вграден термостат	
Минимална топлинна мощност	P_{min}	0.00	0.00	0.00	0.00	0.00	0.00	kW	ръчен регулатор на топлинното зареждане с обратна връзка за температурата в помещението и/или навън	[не]
Максимална непрекъснатата топлинна мощност	$P_{max,C}$	0.50	1.00	1.50	2.00	2.50	3.00	kW	електронен регулатор на топлинното зареждане с обратна връзка за температурата в помещението и/или навън	[не]
Спомагателно потребление на електроенергия									отдавана чрез обдухване топлинна енергия	[не]
При номинална топлинна мощност	e_{lmax}	0.43	0.93	1.44	1.91	2.45	2.91	kW	Вид топлинна мощност/регулиране на температурата в помещението (изберете един)	
При минимална топлинна мощност	e_{lmin}	0.00	0.00	0.00	0.00	0.00	0.00	kW	една степен на топлинна мощност и без регулиране на температурата в помещението	[не]
В режим готовност	$eI SB$				0.00033			kW	Две или повече ръчни степени, без регулиране на температурата на помещението	[не]
									с механичен термостат за регулиране на температурата в помещението	[не]
									с електронен регулатор на температурата в помещението	[не]
									електронен регулатор на температурата в помещението и денонощен таймер	[не]
									електронен регулатор на температурата в помещението и седмичен таймер	[да]
									Други варианти за регулиране (възможен е повече от един избор)	
									регулиране на температурата в помещението с откриване на човешко присъствие	[не]
									регулиране на температурата в помещението с откриване на отворен прозорец	[не]
									с възможност за дистанционно управление	[не]
									с адаптивно управление на пускането в действие	[да]
									с ограничение на времето за работа	[не]
									с датчик във вид на черна полусфера	[не]


ТЕСИ ООД

бул.Мадара 48,
Шумен, 9700,
България

 **Citiți instrucțiunile de utilizare înainte de utilizarea produsului. Păstrați instrucțiunile de utilizare pe toată durata de viață a produsului, pentru eventuale consultări ulterioare. La schimbarea proprietarului, instrucțiunile trebuie să fie transmise, împreună cu aparatul!**

Vă mulțumim pentru alegerea convectorului CN03. Acest produs oferă căldura confortabilă în timpul iernii în funcție de nevoile de încălzire a încăperii încălzite. Cu utilizare și îngrijire adecvată, așa cum este descris în aceste instrucțiuni, unitatea vă va oferi mulți ani de funcționare utilă.


PRECAUȚII IMPORTANTE ȘI INSTRUCȚIUNI DE SIGURANȚĂ:

 **Copiii mai mici de 3 ani, trebui să fie ținute departe, cu excepția cazului în care acestea sunt sub supraveghere constantă.**

Copiii în vârstă între 3 și 8 ani pot folosi doar butonul porn./opr. a aparatului cu condiția ca aparatul este instalat și este gata pentru funcționarea normală și au fost monitorizate și instruite cu privire la utilizarea acestuia în condiții de siguranță și înțeleg că ar putea fi periculos.

Copiii în vârstă între 3 și 8 ani nu trebui să sa pună cablul aparatului în priză, să-l seteze sau să efectueze întreținerea.

Acest aparat nu este destinat utilizării de către persoane (inclusiv copii mici), cu capacități fizice, senzoriale sau mentale reduse, precum și lipsa de experiență și cunoștințe cu excepția cazului în care au văzut sau au fost dat instrucțiuni cu privire la utilizarea aparatului de către o persoană responsabilă pentru siguranța lor! Nu lăsați copiii mici să se joace cu aparatul! Curățarea și întreținerea nu trebui să fie făcută de către copii nesupravegheați.

 **Unele părți acestui aparat pot deveni foarte fierbinți și pot cauza arsuri. Acolo unde sunt copii și persoanele vulnerabile trebuie să se acorde o atenție deosebită.**

- Înainte de a porni aparatul - verificați dacă tensiunea de pe plăcuța de tip corespunde tensiunii furnizate la casă dumneavoastră.
- Acest aparat trebuie folosit numai în scopul pentru care au fost achiziționat, și anume a încălzi camere de utilitate. Aparatul nu este destinat pentru scopuri comerciale. Orice altă utilizare poate fi considerată improprie și, prin urmare, periculoasă. Producătorul nu poate fi tras la răspundere pentru pagubele rezultate din utilizarea incorectă și nerezonabilă. Nerespectarea informațiilor de siguranță va face garanția aparatului la care sunt montate picioarele, nevalabilă !
- Nu plecați de acasă în timp ce aparatul este pornit: asigurați-vă că comutatorul este în poziția oprit (se referă la convectorul cu operare automată).
- Păstrați o distanță între convectorul și obiectele inflamabile, cum ar fi mobila, perne, lenjerie de pat, hârtie, îmbrăcăminte, perdele, de cel puțin 100 de cm de la convector.
- Nu utilizați aparatul în zonele în care sunt utilizate sau depozitate substanțe inflamabile. În apropierea gazelor inflamabile sau aerosolilor) - există un pericol extrem de explozie și incendiu!
- Nu introduceți sau nu permite obiecte străine să cadă în orificiile de ventilație (de intrare sau de ieșire), deoarece acest lucru va provoca un șoc electric, incendiu sau deteriorare a ventilatorului.
- Aparatul nu este potrivit pentru utilizare în creșterea animalelor, acesta este destinat numai pentru uz casnic!
- Nu acoperiți grilele de siguranță, nu lăsați intrarea fluxului de aer prin așezarea aparatului vizavi de orice suprafață. Toate elementele trebuie să fie de cel puțin 1 metru distanță față de unitatea și lateral.
- Cea mai frecventă cauză de supraîncălzire este acumularea de scame și praf în unitate. Curățați regulat cu aspirator orificiile de ventilație, dar

înainte de aceasta scoateți aparatul de la rețeaua de alimentare.

- Nu atingeți aparatul cu mâini ude - există pericol pentru viață!
- Priză trebuie să fie ușor accesibilă pentru a scoate ștecherul când este nevoie cât mai repede posibil! Nu trageți niciodată de cablul de alimentare sau de aparatul pentru a-l deconecta de la priză.
- ATENȚIE! Aerul de evacuare este încălzit în timpul funcționării (mai mult de 100°C).
- Dacă cablul acestui aparat este deteriorat, opriți utilizarea și luați legătura cu furnizorul / vânzător pentru instrucțiuni suplimentare.
- Dacă decideți să nu mai utilizați un dispozitiv de acest tip, se recomandă să - faceți inutilizabil, să tăiați cablul, după ce l-ați deconectat de la sursa de alimentare. Se recomandă toate pericolele as°Ciate cu aparatul să fie protejate, în special pentru copiii care ar putea folosi dispozitivul amortizat(dispozitiv) pentru a se juca cu el.
- Aparatul nu trebuie să fie așezat direct sub cutia prizei!
- Atenție: Nu conectați aparatul la un cronometru, programator sau orice alt dispozitiv care conectează aparatul automat, pentru că există riscul de a lua f dacă aeraerterma este acoperită sau poziționată incorect.
- Conectați cablul de alimentare astfel încât să nu împiedice circulația persoanelor și să nu fie călcat! Utilizați numai prelungitoare aprobate, care sunt adecvate pentru acest instrument, adică au semn de conformitate!
- Niciodată nu mutați aparatul trăgând de cablu și nu utilizați cablul pentru a transporta obiecte!
- Nu striviți cablul și nu-l trageți peste muchii ascuțite. Nu-l amplasați deasupra unor plite încinse sau deasupra flăcărilor!

AMBALAJ

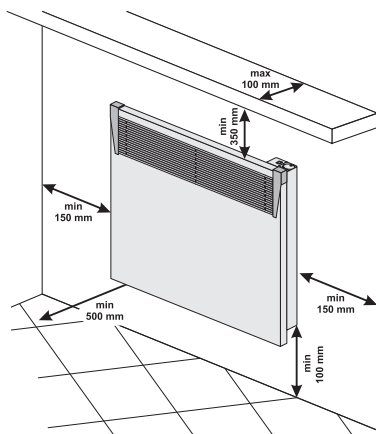
- După despachetarea aparatului, verii cați integralitatea acestuia și existența unor eventuale deteriorări apărute la transport În cazul constatării unei deteriorări sau al unei livrări incomplete, contactați distribuitorul autorizat!
- Nu aruncați cutia originală! Aceasta poate fi utilizată la depozitare și mutare pentru evitarea deteriorărilor la transport!
- Evacuați materialul ambalajului la deșeuri într-un mod corespunzător! Nu lăsați pungile de plastic în îndemâna copiilor!

INSTRUCȚIUNI DE MONTARE

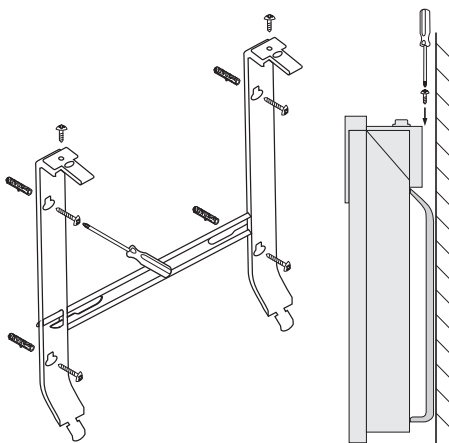
- Acest aparat de încălzire este conceput pentru a fi folosit în interior, montat pe perete.

Important: În încăperi cu un volum de peste 45 m3 este recomandat să utilizați o combinație de 2 sau mai multe convectoroare.

- Nu așezați aparatul sub priză electrică sau cutie de conexiuni.
- Nu montați/folosiți convectorul
 1. în locuri unde există tracțiune, care ar putea influența setările de control
 2. imediat sub priză electrică;
 3. în zona 1 (volum 1) pentru băi;
 4. în zona 2 (volum 2), dacă panoul de control poate fi accesat de persoana, care este în duș sau baie;
- Pentru montarea aparatului de încălzire pe perete, trebuie să fie folosite numai suporturi de perete furnizate cu convectorul. La montarea aparatului trebuie respectate distanțele minime de la aparat



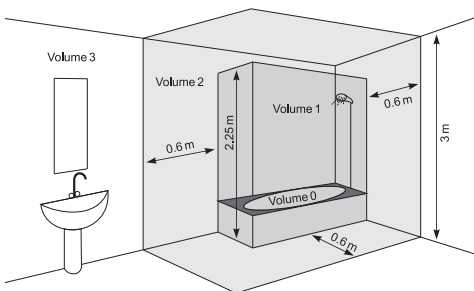
- În primul rând eliminați scoabele pentru perete de la carcasa din spate. Deșurubați cele două șuruburi situate în partea de sus a celor două benzi verticale de suporturi pentru montare. Apoi trageți partea de sus a barei apăsând tare ambele părți inferioare, ascunse în carcasa din spate.



- Glsați în jos suportul de perete pentru a detașa de carcasa din spate.
- Fixați suportul la perete prin cele patru găuri făcute pentru șuruburi.
- Ridicați aparatul de încălzire în poziție verticală în apropiere și introduceți cele două suporturi proeminente părți ale peretelui atât în canelura inferioară în capacul din spate al convectorului. Apoi ridicați aparatul și introduceți cele două suporturi de perete în cele două fante superioare în capacul din spate al convectorului. După aceasta puneți la 1°C și strângeți cele două șuruburi, pentru a fixa ferm convectorul de perete.

FOLOSIRE ÎN BAIE

- Convectorul trebuie să fie montat în conformitate cu practica comercială normală și în conformitate cu legile țării (directive pentru energie electrică și cerințele CE pentru instalații speciale sau l°Catii, inclusiv bai sau cabine de dușuri HD60364-7-701 (IEC 60364-7-701:2006)).



- Dacă acest convector va fi folosit în băi sau alte încăperi similare, la montare trebuie să fie îndeplinite următoarele cerințe: Convectorul este cu protecție IP24 (protecție împotriva stropirii cu apă). Datorită acestui fapt trebuie să fie montat într-o încăpere (volume 2) (vezi schema de mai jos) pentru a evita posibilitatea panoul de control (comutator și termostat) a convectorului să fie ajuns de persoana care se află în duș sau cadă. Distanța minimă de la unitatea la o sursă de apă ar trebui să fie de cel puțin 1 m și unitatea trebuie să fie montată pe perete! Dacă nu sunteți sigur cu privire la modul de instalare a acestui convector în baie, vă recomandăm să consultați un electrician profesionist.

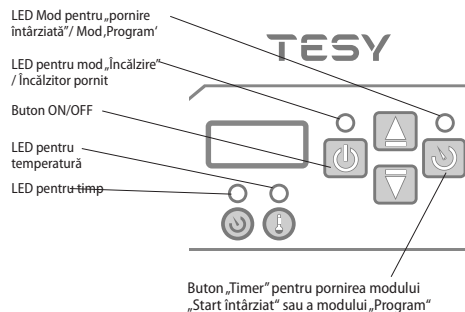
Nota: în cazul în care condițiile menționate mai-sus nu pot fi îndeplinite se recomandă montarea aparatului să fie realizată în spațiul 3 (VOLUME 3).

- În camerele umede (bai și bucătării), sursa de alimentare trebuie să fie instalate la o înălțime de cel puțin 25 cm de la podea.
- Instalația electrică la care se conectează aparatul trebuie să fie dotată cu o siguranță automată, la care distanța între contactele, atunci când este oprit, trebuie să fie cel puțin 3 mm.

INSTRUCȚIUNI DE EXPLOATARE

COMANDĂ ELECTRONICĂ

Mod de lucru



Porniți convectorul, apăsați comutatorul în poziția „I” (Activat) $\frac{I}{O}$.

Setarea ceasului

Setarea ceasului este posibilă numai în modul dezactivat - se setează ziua curentă din săptămână, ora și minuta.

Setarea orei se face prin apăsarea lungă a butoanelor „ON/OFF” și „Timer”. Parametrul care se setează fecează pe afișajul. Selecția parametrului de setare se face prin apăsare scurtă a butonului „Timer”. Ieșirea din setării se face cu a treia apăsare scurtă a butonului „Timer” (după setarea minutelor).

Setarea începe cu ziua săptămânii de la 1 la 7, în funcție de care este ordinea zilei curente este din săptămână și se setează prin cifra corespunzătoare. Ceasurile și minutele se afișează simultan pe afișaj, pulsând numai parametrul pentru setare. Modificarea valorii parametrului se face cu butoanele ▲ și ▼.

Dacă până la 10 sec nu este apăsat butonul se iese din setare.

Pornirea modului „Încălzire”

Atunci când convectorul este oprit pe afișajul digital se afișează temperatura camerei și să lumineze numai „LED pentru temperatură”. Când apăsați odată butonul „On/Off” se trece la modul „Încălzire”. Atunci pornește ledul roșu care indică acest mod. Pentru timp de 2 secunde pe displayul digital apare temperatura pentru această perioadă „LED pentru temperatură” nu iluminează. Dacă temperatura camerei este mai mică decât temperatura setată, încălzitorul este pornit automat.

Atunci când încălzitorul este pornit, LED-ul roșu este aprins continuu!

Setarea temperaturii

Apăsarea unuia dintre butoanele ▲ sau ▼ se trece la modul „Modificarea temperaturii setate”. Afișajul începe să clipească și pe acesta se afișează temperatura

setată curentă. Următoarea apăsare a tastelor schimbă temperatura în direcția dorită. Dacă timp de 5 sec. nu este apăsat niciun buton nou, noua setare este memorată și trece automat la modul „Încălzire”. Dacă oricare dintre butoanele ▲ sau ▼ este menținută mai mult de 0,7 s, valoarea setată a temperaturii începe să crească sau să scadă automat la 4 unități pe secundă. Limitele temperaturii punctului de setare variază de la 10 la 30 de grade.


“Start întârziat” a pornirii convectorului de panou.

Atunci când convectorul este în modul „Oprit”, apăsarea butonului „Timer” vă permite să introduceți timp, după care trece automat la modul „Încălzire”. Acest mod este indicat de un LED galben intermitent și de un LED roșu dezactivat. Pe afișajul digital vor apărea indicatorii temperaturii ambiante, atunci când este aprins “LED pentru temperatura” și timpul rămas în ore până la pornirea “Încălzirii” atunci când este aprins “LED pentru timp”. Imediat după pornirea acestui mod, se aprinde ledul galben, iar displayul începe să clipească, afișând timpul introdus în ore, până la pornirea convectorului. Inițial este presetat 12 ore și prin apăsarea butoanelor ▲ sau ▼ se modifică timpul în direcția dorită. Dacă oricare dintre butoanele ▲ sau ▼ este menținută mai mult de 0,7 s, valoarea timpului începe să crească sau să scadă automat la 4 unități pe secundă. Dacă timp de 5 sec. nu apăsați un nou buton sau apăsați butonul “Timer”, regulatorul trece la modul “Pornire întârziată”. Dacă se introduce timp 00, modul nu se execută. Dacă modul de “Pornire întârziată” funcționează deja și butonul “Timer” este apăsat din nou, timpul rămas poate fi ajustat în ambele direcții posibile. După setarea timpului, se comută la modul „Începerea întârzierii”, iar pe displayul pe lângă temperatura apar și orele până la trecerea la „Încălzire”. Din acest mod se poate ieși prin apăsarea butonului “On/Off”. Atunci convectorul va trece în mod “Încălzire”. “Pornire întârziată” se poate seta de la 01 până la 96 ore.

Oprirea modului “Încălzire”

De la modul “Încălzire” se poate ieși prin apăsarea butonului “On/Off”. Atunci încălzitorul oprește, dacă a fost pornit înainte de această, se stinge LED-ul roșu. Displayul continuă să afișeze temperatura camerei.

Funcția împotriva înghețării

Dacă temperatura camerei care sub 5 grade și convectorul este oprit (nu este aprins ledul roșu), dar este rotit Comutatorul mecanic în poziția “I” (Pornit) , încălzitorul se va porni automat pentru a preveni înghețarea.



Setarea corecției a senzorului de temperatura nu se aplică acestei funcții.

Activarea și dezactivarea funcției:

- funcția este activată implicit
- dacă doriți să dezactivați funcția - convectorul este în mod “Oprit”, apăsând butonul ▲ și butonul “On/Off” pentru trei secunde - pe display-ul începe să clipească „ON”, după ce apăsați butonul ▼, veți obține poziția „OFF”, așteptați 3 secunde și funcția automat va trece la modul „OFF”.
- dacă doriți din nou să activați funcția - convectorul este în mod “Oprit”, apăsând butonul ▲ și butonul “On/Off” pentru trei secunde - pe display-ul începe să clipească „OFF”, după ce apăsați butonul ▼ veți obține poziția „ON”, așteptați 3 secunde și funcția automat va trece la modul „ON”.

Funcția corecția de temperatură a senzorului

Datorită specificului profilului de temperatură în diferite spații, poate exista o diferență între temperatura pe ecran și cea real măsurată în diferite l°Cații ale aparatului de încălzire în cameră.

- Verificați temperatura, care este afișată pe dispozitiv
- Măsurați temperatura într-un l°C unde temperatura este suficient de “confortabilă” pentru dvs. (de obicei la o distanță de 60 de cm de la podea, în poziția așezată). În caz de constatare a unei diferențe în diapazonul $\pm 4^{\circ}\text{C}$ puteți seta ajustarea necesară din meniul convectorului (O condiție importantă - funcția nu se poate seta numai după pornirea încăperii care va fi încălzită - în funcție de tipul încăperii timpul minim necesar este 7 ore) cu diferența obținută între datele convectorului și temperatura setată.



Nota: Această funcție este folosită cu scopul de a oferi un confort de temperatură și economisire de energie electrică mai mare pentru utilizatorul convectorului electric în camera, în care este poziționat. În cazul în care diferența de temperatură este mai mare de $\pm 4^{\circ}\text{C}$ sau dacă temperatura în l°Cația dorită în cameră este mai mică, această înseamnă că încăperea în care convectorul este poziționat nu este bine izolată sau nu este bine temperată.


Exemplu: un convector amplasat într-o încăpere deasupra unei pardoseli din piatră - indicația convectorului 18°C (la setată 22°C), temperatura reală măsurată (senzație de confort) 22°C la o înălțime de la podea de 60 cm -> în acest caz, convectorul continuă să reîncălzească încăperea (este o pierdere directă de energie, dar convectorul nu poate atinge temperatura setată pentru că face măsurarea temperaturii jos la podea) și nu se va opri niciodată. Este necesar să setați o corecție a temperaturii de $+ 4^{\circ}\text{C}$ pe senzor - în acest caz convectorul va afișa 22°C și va începe să se oprească - păstrând temperatura setată la 22°C .

Starea normală a funcției este 0°C după setările implicite

- dacă doriți să modificați valoarea - convectorul este în mod “Oprit”, apăsând butonul ▼ și butonul “On/Off” pentru trei secunde - pe display-ul începe

să clipească „0°C” Puteți să apăsați butonul ▼ sau butonul ▲ pentru a atinge diapazonul „-4°C” la „4°C”, așteptați 3 secunde și funcția se va memora automat.

- Atunci când doriți să verificați ce corecție este setată - convectorul este în mod “Oprit”, apăsând butonul ▼ și butonul „On/Off” pentru trei secunde - pe display-ul începe să clipească temperatura setată. Puteți apăsa butonul ▼ sau butonul ▲ pentru a seta o nouă valoare în diapazonul „-4°C” la “4°C”.

 **Nota:** După funcție de resetare de fabrică - urmează să setați din nou corecția temperaturii, valoarea implicită este 0°C.


Start adaptiv

- controlul de pornire adaptivă înseamnă o funcție care precizie și declanșează pornirea optimă a încălzirii pentru a atinge temperatura setată la timpul dorit
- caracteristica este activată în mod prestabilit
- dacă doriți să modificați valoarea - convectorul este în modul “OFF”, apăsând butonul „▲” și butonul “Timer” pentru trei secunde - pe display-ul începe să clipească „A_On” trebuie să apăsați butonul „▼” pentru a atinge d „AOFF” așteptați 3 secunde și funcția se va memora automat.
- Pentru a se întoarce din nou în starea „ON” - convectorul este în modul “Oprit”, apăsând butonul ▲ și butonul “Timer” pentru trei secunde - pe display-ul începe să clipească „AOFF” trebuie să apăsați butonul ▼ pentru a atinge „A_On”, așteptați 3 secunde și funcția se va memora automat.

Această funcție se reglează în funcție de nevoie dumneavoastră. Aparatul funcționează la o temperatură de confort stabilită până când ajunge la starea de echilibru de 17 ore - această temperatură este o temperatură de confort de referință. Trebuie setată și perioadă cu o temperatură mai joasă pentru minim 7 ore, de la cea, care este setată pentru temperatura de confort cu o diferență de $4\text{°C} \pm 1\text{°C}$. La comanda adaptivă activată - lăsați termostatul electronic al aparatului să funcționeze timp de 4 cicluri (4 x 24 ore) a ciclului de confort (17 ore) și temperatura scăzută (7 ore). După terminarea ultimei perioade de scădere, temperatura de confort trebuie să fie atinsă în decurs de ± 30 de minute de declanșare până la timpul setat, cu o diferență maximă de $\pm 1\text{°C}$ față de temperatura de referință de referință.

“Protecție împotriva accesului copiilor”

Puteți bloca butoanele apăsând simultan săgețile ▼ și „Timer” pentru a preveni modificarea setărilor. Repetați aceeași acțiune pentru a debloca butoanele.

 **Nota:** Când tastatura este blocată și apăsați unele butoane, afișajul trebuie să afișeze „LOC_”

Setări în “Programator săptămânal 24/7”



Intrarea în modul setări a “Programatorului săptămânal” este posibilă numai dacă pe aparat sunt setate ora și ziua săptămânii.

Intrarea în modul setări și ieșirea din acesta se face prin apăsarea lungă a butonului „Timer”.

Parametrii de configurare sunt trei - ziua săptămânii, ora și temperatura, comutarea celor trei parametri se face prin apăsarea scurtă a butonului „Timer” în ordinea - zi, ora și temperatura. Memorarea se face prin apăsarea scurtă a butonului „Timer”, după ce ați setat ultimul parametru - temperatura.

Modificarea valorii fiecărui parametru se face cu butoanele ▲ și ▼.

Condiții la memorare

- După memorarea în punct nu poate fi modificată până la ieșirea din setarea curentă.
- Când înregistrați primul punct de referință dintr-o anumită zi în setarea curentă, toate punctele de zi sunt șterse în prealabil.
- Înregistrarea punctelor ulterioare într-o anumită zi este posibilă numai în orele până la sfârșitul zilei după ultimul punct înregistrat
- În ultima oră a zilei - 23.5h, în această zi, nu mai pot fi introduse mai multe intrări în setarea curentă, iar numerele FULL și zilele sunt afișate pe ecran.
- Dacă nu se fac înregistrări în setarea curentă într-o anumită zi, acestea st°Chează intrările existente la setarea curentă..

Scopul setărilor este de a înregistra cei trei parametri în așa-numitele puncte de referință (SET POINTS) și de a seta temperatura la fiecare punct de referință la următoarea.

Exemplu: Dacă în ziua respectivă ați făcut înregistrarea la ora 7 cu temperatura 22°C, și doriți aceasta să rămână neschimbată până la ora 19 (atunci planificați să fie 23°C), nu trebuie să memorați unul câte unul până la ora 19, pentru fiecare oră, ci trebuie doar să memorați temperatura 22°C la ora 7 și temperatura 23°C la ora 19. În mod implicit, în această perioadă (orele 7-19) temperatura va fi de 22°C.

Mecanismul de înregistrare al fiecărui punct este după cum urmează:

După ce ați intrat în setările pe ecran se afișează day1 și cifra pulsează, ceea ce înseamnă că este parametrul de setare (în acest caz, ziua săptămânii).

- Cu butoanele ▲ și ▼ se selectează ziua dorită
- Prin apăsarea scurtă a butonului „Timer” se trece la setarea orei
- Cu butoanele ▲ și ▼ se selectează ora dorită (cu pas 0,5h) per punct

- d. Prin apăsarea scurtă a butonului „**Timer**” se trece la setarea temperaturii
- e. Cu butoanele ▲ și ▼ se selectează temperatura dorită. Temperaturile posibile sunt de la 10 la 30°C și poziția dezactivată OFF.
- f. Prin apăsarea scurtă a butonului „**Timer**”, se face o înregistrare de punct și se stabilește următorul punct (DAYX-ul este afișat din nou pe ecran) și trece la paragraful a/ pentru următorul punct.
- g. În ultima oră a zilei - 23.5h, în această zi, nu mai pot fi introduse mai multe intrări în setarea curentă, iar numerele FULL_ și zilele sunt afișate pe ecran.



ATENȚIE: Punctele pentru o anumită zi pot fi înregistrate numai în ordine crescătoare a orelor.



Info: Înainte de executarea paragrafului f) operatorul poate reveni la paragraful a) pentru a regla cei trei parametri ai punctului prin apăsarea scurtă a butonului **ON/OFF**, fără a înregistra în memorie.

Completarea punctelor într-o anumită zi se poate face arbitrar, după înregistrarea punctelor în alte zile, dar numai respectând ordinea ascendentă a orelor din zi.

Dacă doriți să ieșiți din setări, apăsați lung butonul „**Timer**” sau așteptați 30 sec.

După ieșirea din setări este posibilă vizualizarea punctelor înregistrate, prin butoanele ▲ și ▼, dacă dispozitivul este în mod de programare.



Notă: După pornire, aparatul trece la modul (încălzire sau programare) în care a funcționat ultima dată.



Nota: Treccarea la modul de funcționare (încălzire sau programare) prin apăsarea scurtă a butonului **Timer** când alimentarea este activată.

Funcția „Reset” la setările din fabrică

Atunci când convectorul este în mod „Oprit”, se apasă simultan butonul ▲ și butonul ▼ timp de șase secunde - după care displayul începe să clipească „_ _ _ _” și simbolurile se rotesc. Când „Resetare” veți vedea valoarea temperaturii ambiante măsurate pe afișaj.

După ce utilizați funcția de resetare, trebuie să resetați caracteristicile de mai jos:

- setarea orei
- setați valoarea corecției de temperatură (dacă aveți nevoie)
- dezactivarea funcției Anti-îngheț (dacă aveți nevoie)
- dezactivați pornirea adaptivă (dacă aveți nevoie)
- program săptămânal - 24/7

Dacă convectorul electric este deconectat de la rețeaua electrică, acesta nu va schimba temperatura setată și modul de operare rămas înainte de oprire. Dacă, de exemplu, a fost în modul „**Încălzire**”, când aparatul este oprit și pornit, acesta va fi din nou în acest mod cu aceeași temperatură setată.



Principiul care este setat în convectorul electric cu memorie nevolatilă constă în păstrarea setărilor garantat pentru până la 90 de minute și negarantat de până la 150 de minute.

Atunci când temperatura camerei este mai mică decât cea stabilită de termostatul electronic, convectorul pornește funcționarea și va funcționa până când temperatura din încăperea va atinge valoarea setată. Când temperatura camerei este mai mare decât valoarea stabilită de termosta, convectorul va trece automat la modul „Standby”.

Afișarea informațiilor pe display

Valorile parametrilor, dacă nu suntem în setarea:

- a. În modul oprit - afișare succesivă a:
 - ceasului (ora și minute)
 - temperatura camerei măsurată
- b. În modul încălzire - arată temperatura măsurată a camerei
- c. În modul programare - afișare succesivă a:
 - ziua a săptămânii, linia inferioară și temperatura măsurată. 6_22
 - zi a săptămânii și pulsând temperatura setată în program (valoarea curentă a orarului), care poate fi și simbolul OFF. 6_23
- d. La pornirea convectorului, pe ecran se afișează:
 - „----” dacă la deconectarea de la alimentare acesta a fost oprit.
 - „----” care după 2 secunde sunt în!°Cuite cu o indicație intermitentă dacă a fost pornită când alimentarea a fost oprită.
- e. Două cifre (01÷96) în combinație cu clipirea LED-ului galben, care arată timpul rămas în ore până la pornirea întârziată, dacă convectorul a fost în modul „pornirea întârziată” atunci când alimentarea a fost oprită”.
- f. Pentru a economisi energie suplimentară, termoregulatorul electronic reduce luminozitatea tuturor indicatorilor. Când apăsați oricărui buton, luminozitatea crește pentru 8 secunde, apoi scade din nou.
- g. Dacă pe afișaj apare „t0” sau „t1”, sistemul de autodiagnosticare a detectat o problemă în

termosenzor „t0” este cazul unui cablu de senzor defect și „t1” la un senzor de scurtcircuit. În acest caz, convectorul electric este oprit și re-punerea în funcțiune va fi posibilă după ce defecțiunea a fost îndepărtată. Defecțiunea trebuie eliminată de un specialist calificat.

- h. Când alimentarea este pornită timp de până la 2 secunde, pe afișaj va apărea „----” în $^{\circ}\text{C}$ de temperatură sau timp.
- i. Când de displayul digital se afișează temperatura, este aprins “LED-ul de temperatură”; când este afișat timpul până la pornirea întârziată, este aprins „LED-ul de timp”.

PROTECȚIE

- Aparatul este echipat cu un termostat de siguranță care oprește automat încălzitorul în cazul de creștere a temperaturii convectorului peste valorile admisibile /supraîncălzirea aparatului/.
- Termostatul de siguranță resetează automat convectorul numai atunci când temperatura aparatului scade sub limitele admise.

CURĂȚARE

- În primul rând opriți aparatul de la comutator și deconectați cablul de alimentare de la priză. Înainte de a curăța convectorul, lăsați-l să se răcească, după ce l-ați deconectat de priză.
- Partea din spate a convectorului poate fi curățată cu eforturi minime - trebuie doar să apăsați scoabele în forma de „P” / fig.2 / din partea de spate a aparatului, astfel îl puteți elibera și curăța partea din spate.
- Curățați carcasa cu o cârpă umedă, praful acumulat cu aspirator sau o perie.
- Nu scufundați niciodată aparatul în apă - există pericol pentru viața de $\text{ș}^{\circ}\text{C}$ electric!
- Nu utilizați niciodată benzină, diluant sau produse abrazive de curățare, deoarece acestea vor deteriora finisajul aparatului.

DEPOZITARE

- Înainte de a curăța convectorul, lăsați-l să se răcească, după ce l-ați deconectat de priză
- Folosiți ambalajul original de depozitare a convectorului, dacă acesta nu va fi utilizat o perioadă lungă de timp Produsul este protejat de praf și murdăria când este depozitat în ambalajul original.
- Nu depozitați aparatul cald în ambalajul său!
- Produsul trebuie să fie depozitat în $^{\circ}\text{C}$ uri uscate și protejate de lumina directă a soarelui.
- Se interzice în mod expres depozitarea aparatului în zone umede sau ude.

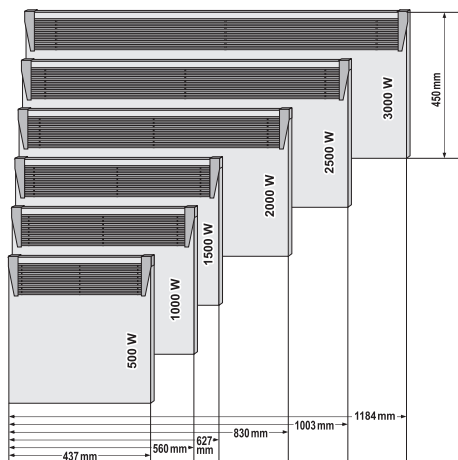
ÎNȚREȚINERE DE SERVICIU A APARATULUI

- În caz de defecțiune a aparatului, vă rugăm să contactați cel mai apropiat centru de service autorizat. / Specificat în certificatul de garanție al produsului/.
- **Important:** În cazuri de reclamații și/sau încălcare a drepturilor Dumneavoastră de consumator, vă rugăm să contactați furnizorul acestui aparat la adresele menționate sau prin intermediul site-ului companiei www.tesy.com

DIMENSIUNILE APARATULUI, VOLUMUL ȘI SUPRAFAȚA ÎNCĂLZITĂ A ÎNCĂPERII

Model	Volum încălzit	Suprafața încălzită
CN 03 050 EIS W - 500W	10* - 15 m ³	4* - 6 m ²
CN 03 100 EIS W - 1000W	20* - 30 m ³	8* - 12 m ²
CN 03 150 EIS W - 1500W	30* - 45 m ³	12* - 18 m ²
CN 03 200 EIS W - 2000W	40* - 60 m ³	16* - 24 m ²
CN 03 250 EIS W - 2500W	50* - 70 m ³	20* - 28 m ²
CN 03 300 EIS W - 3000W	60* - 80 m ³	24* - 32 m ²

* Volumul (suprafața) încălzit minim garantat de încălzire la un coeficient mediu de conductivitate termică $\lambda = 0,5 \text{ W}/(\text{m}^2\text{K})$ pentru încălzirea încălzită. La valori ridicate pentru volumul (suprafața) încălzită se realizează la o valoare medie de $\lambda = 0,35 \text{ W}/(\text{m}^2\text{K})$. Înălțimea standard a încăperilor - 2,5 metri.



Atenție: Pentru a evita supraîncălzirea, nu acoperiți aparatul!



Indicații pentru protecția mediului înconjurător

Aparatele electrice uzate sunt materiale valoroase, motiv pentru care $^{\circ}\text{C}$ ul lor nu este la gunoii menajer! Din această cauză, vă rugăm să ne sprijiniți și să participați la protejarea resurselor naturale și a mediului înconjurător, prin predarea acestui aparat la centrele de preluare a acestora.

TABELUL 2 CERINȚE PRIVIND INFORMAȚIILE REFERITOARE LA APARATELE ELECTRICE PENTRU ÎNCĂLZIRE LOCALĂ
Identificatorul de model(e): 1.CN03 050 EIS W; 2.CN03 100 EIS W; 3.CN03 150 EIS W; 4.CN03 200 EIS W; 5.CN03 250 EIS W; 6.CN03 300 EIS W 230V~ 50Hz

Parametru	Simbol	Valoare 1	Valoare 2	Valoare 3	Valoare 4	Valoare 5	Valoare 6	Unitate	Parametru	Unitate
Puterea termică									Modul de acumulare a căldurii, numai în cazul aparatelor electrice pentru încălzire locală cu acumulator de căldură (alegeți o variantă)	
Puterea termică nominală	P_{nom}	0.50	1.00	1.50	2.00	2.50	3.00	kW	control manual al sarcinii termice, cu termostat integrat	[nu]
Puterea termică minimă (cu titlu indicativ)	P_{min}	0.00	0.00	0.00	0.00	0.00	0.00	kW	control manual al sarcinii termice, ca răspuns la temperatura camerei și/sau exterioară	[nu]
Puterea termică maximă continuă	$P_{max,C}$	0.50	1.00	1.50	2.00	2.50	3.00	kW	control electronic al sarcinii termice, ca răspuns la temperatura camerei și/sau exterioară	[nu]
Consumul auxiliar de energie electrică									putere termică comandată de ventilator	[nu]
La putere termică nominală	$e_{l,max}$	0.43	0.93	1.44	1.91	2.45	2.91	kW	Tip de putere termică/controlul temperaturii camerei (selecți o variantă)	-
La putere termică minimă	$e_{l,min}$	0.00	0.00	0.00	0.00	0.00	0.00	kW	cu o singură treaptă de putere termică și fără controlul temperaturii camerei	[nu]
În modul standby	$e_{l,SB}$			0.00033				kW	două sau mai multe trepte de putere manuale, fără controlul temperaturii camerei	[nu]
									cu controlul temperaturii camerei prin intermediul unui termostat mecanic	[nu]
									cu control electronic al temperaturii camerei	[nu]
									cu control electronic al temperaturii camerei și cu temporizator cu programare zilnică	[nu]
									cu control electronic al temperaturii camerei și cu temporizator cu programare săptămânală	[da]
									Alte opțiuni de control (se pot selecta mai multe variante)	
									controlul temperaturii camerei, cu detectarea prezenței	[nu]
									controlul temperaturii camerei, cu detectarea unei ferestre deschise	[nu]
									cu opțiune de control la distanță	[nu]
									cu demaraj adaptabil	[da]
									cu limitarea timpului de funcționare	[nu]
									cu senzor cu bulb negru	[nu]

TESY Ltd
48 Madara Blvd,
Shumen, 9700,
Bulgaria



Прочитайте внимательно настоящие инструкции прежде чем использовать этот отопительный прибор и сохраняйте эти указания для будущего пользования. При изменении владельца, эту инструкцию надо передать вместе с прибором!

Благодарим Вас, что выбрали конвектор CN03. Это устройство, которое предлагает отопление зимой в зависимости необходимости достижения комфортабельного тепла отапливаемом помещении. При правильной эксплуатации и уходе, как указано в этой инструкции, прибор обеспечит Вам много лет полезного функционирования.

ВАЖНЫЕ ПРЕДОХРАНИТЕЛЬНЫЕ МЕРЫ И ИНСТРУКЦИИ БЕЗОПАСНОСТИ:



Детей меньше 3-х лет надо держать на расстоянии, если они не находятся под непрерывным наблюдением.

Дети с 3-х до 8-ми лет могут пользоваться только кнопкой вкл./выкл. прибора, при условии, что прибор установлен и готов к нормальной работе и их наблюдали и инструктировали относительно его использования безопасным способом и они понимают, что это может быть опасным.

Детям с 3-х до 8-ми лет нельзя подключать прибор в розетку, настраивать, чистить или выполнять потребительскую поддержку.

Этот прибор можно пользоваться детьми старше 8 лет и лицами ограниченными физическими, сенсорными и умственными способностями, или у которых нет достаточного опыта и познания, если их не наблюдают или не инструктировали относительно безопасного использования прибора и они понимают опасность. Детям нельзя играть с прибором. Очистка и абонентское обслуживание нельзя быть сделано детьми без наблюдения.



Некоторые части этого прибора могут стать очень горячими и могут привести к ожогам. Там, где присутствуют дети и уязвимые люди, должно быть удалено особое внимание.

- Прежде чем подключите прибор – проверьте указанное на табличке напряжение соответствует или нет на напряжение электрической сети в доме
- Этот прибор должен использоваться только по своему назначению, т.е. отапливать бытовые помещения. Прибор не предназначен для торговых целей. Любое другое употребление надо считать неправильным и следовательно опасным. Производитель не несет ответственность за ущербы, причиненные в результате неправильного и необоснованного использования. Несоблюдение информации безопасности приведет к потере гарантии прибора!
- Не уходите из дома, пока прибор включен: убедитесь, что прибор находится в выключенном положении. Всегда вынимайте вилку из розетки, когда не собираетесь использовать прибор в течение некоторого времени.
- Держите легковоспламеняющиеся предметы, как мебели, подушки, спальное белье, бумага, одежды, занавески и т.д. на расстоянии не меньше 100 см от конвекторной печи.
- Не используйте прибор в зонах, где используются или сохраняются легковоспламеняющиеся вещества. Не используйте прибор в зонах легковоспламеняющихся атмосфер (например: вблизи воспламеняющихся газов и аэрозолей) – существует очень большая опасность от взрыва и пожара!
- Не вставляйте и не допускайте посторонних предметов в отверстия для вентиляции (входящие или выходящие), так как это приведет к поражению электрическим током или создает опасность от пожара в конвекторе.


- Прибор не подходит для выращивания животных, и тот же предназначен только для домашнего использования!
- Не накрывайте предохранительные решетки, нельзя останавливать вход или выход воздушного потока, устанавливая прибор против данной поверхности. Все предметы должны быть на расстоянии не меньше 1 метра от прибора спереди и по бокам.
- Наиболее распространенной причиной перегрева - накопление пуха и пыли в машине. Редовно очищайте пылесосом вентиляционные отверстия, а перед этим обязательно отключите прибор от электрической сети.
- Никогда не трогайте прибор мокрыми руками – существует опасность для жизни!
- Контакт должен быть доступен в любое время, так что вилку возможно бы освободить, если это необходимо, как можно быстрее! Никогда не тяните за сетевой шнур или сам прибор при выключении из сети.
- Обратите внимание! Выходящий воздух нагревается во время работы (больше 100°C).
- Если шнур питания поврежден, прекратите его использование и свяжитесь с поставщиком / продавцом для дополнительных инструкций для устранения проблемы в сервисном центре.
- Если решите переустановить использование прибора этого типа, рекомендуется сделать его неиспользуемым, прерывая шнур, после того, как выключили его из сети. Рекомендуется еще обезопасить, все, связанное с прибором, особенно для детей, которые могли бы использовать амортизированное устройство (прибор) для игры.
- Прибор нельзя ставить непосредственно под розеткой!
- Внимание: Не используйте этот прибор с программатором, счетчиком или другим устройством, которое автоматически включает его, так как, если прибор накрыт или неправильно поставлен существует опасность от пожара.
- Поставьте шнур питания, так что не мешал бы на движение людей и чтобы не наступали на него! Используйте только утвержденные удлинители, которые подходят для устройства, т. е. имеют знак соответствия!
- Никогда не перемещайте прибор, дергая за шнур и не используйте шнур для переноски предметов!
- Не перегибайте кабель и не тяните его через острые края, не надо ставить его на горячей плите или на открытом огне!

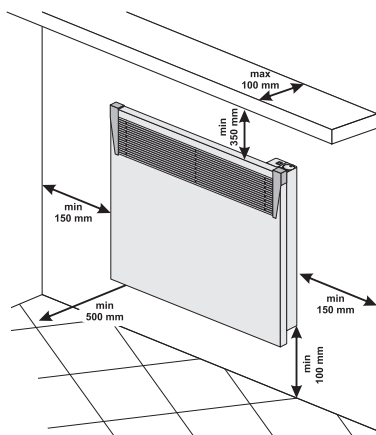
УПАКОВКА

- После распаковки прибора, проверьте не поврежден ли он при транспорте и полностью ли он окомплектован! В случае констатирования повреждения или неполной поставки, свяжитесь с Вашим уполномоченным продавцом!

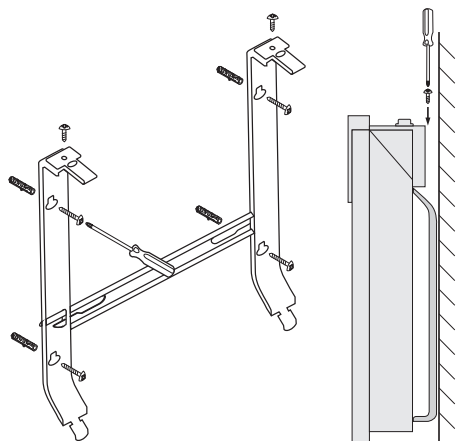
- Не выбрасывайте оригинальную коробку! Ее можно использовать для сохранения и транспортирования, чтобы избежать транспортные увреждения!
- Утилизация упаковочного материала должна быть сделана правильно. Детям нельзя позволять играть с пластиковыми пакетами

ИНСТРУКЦИЯ ДЛЯ УСТАНОВКИ

- Этот конвектор проектирован для использования в закрытых помещениях, установлен на стене.
-  **Важно:** При помещениях с объемом больше 45 м³ рекомендуем использование комбинации 2 и больше конвекторов
- Нельзя устанавливать конвектор под электрической розеткой или коробку связи.
 - Не устанавливайте/используйте конвектор
 1. на месте, где есть тяга, чтобы не воздействоваться на контрольные настройки
 2. непосредственно под электрической розеткой;
 3. в пространстве 1 (volume 1) для ванн;
 4. в пространстве 2 (volume 2), если до контрольной панели может достигнуть человек, находящийся под душем или в ванной;
 - Для установки конвектора на стене вы должны пользоваться только кронштейнов для стены, поставленных вместе с конвектором. При установке конвектора должно соблюдать минимальные отстояния от прибора



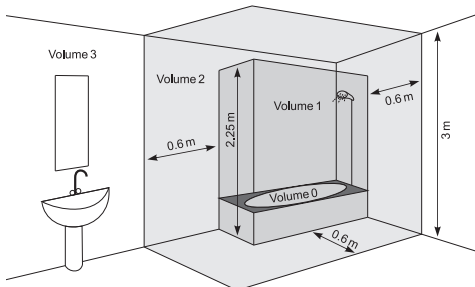
- Сначала снимите кронштейны с задней стенке корпуса. Открутите два винта, расположенные в верхней части двух вертикальных шин настенных кронштейнов. После этого потяните верхнюю часть шины, нажимая сильно обе верхние части, вставленные в заднем корпусе.



- Сдвиньте вниз настенный кронштейн, чтобы удалить его из заднего корпуса.
- Прикрепите крепко к стене настенный кронштейн, через четырех сделанных дырок для винтов.
- Поднимите конвектор почти до вертикального положения и всуньте обе нижние выпуклые части настенных кронштейнов в оба нижние прорезы в задней крышке конвектора. Потом поднимите конвектор и всуньте обе верхние выпуклые части настенных кронштейнов в оба верхние прорезы в задней крышке конвектора. Наконец возвратите на их место и затяните оба винта, чтобы закрепить крепко конвектор к стене.

ИСПОЛЬЗОВАНИЕ В ВАННОЙ

- Конвектор должно установить сообразно нормальной торговой практики и в согласии с законодательством соответной страны (директивы для электричества ЕО и требования для специальных монтажей или мест, включающих ванны, или душе-кабинки HD60364-7-701 (IEC 60364-7-701:2006)).



- Если будете использовать этот конвектор в ванной или в другом подобном помещении, надо соблюдать следующее требование перед установкой: У конвектора защита IP24 (защита от брызг воды). Ради этого факта нужно установить его в пространстве 2 (volume2) (посмотри схему ниже), чтобы избежать возможность человек, находящийся под душем или в ванной, достигнуть до контрольной панели (ключ и терморегулятор) конвектора. Минимальное расстояние от прибора до водяного источника должно быть не меньше 1 метра и прибор обязательно должен быть установлен на стене! Если вы неуверены относительно установки этого конвектора в ванной, мы рекомендуем консультироваться с профессиональным электриком.

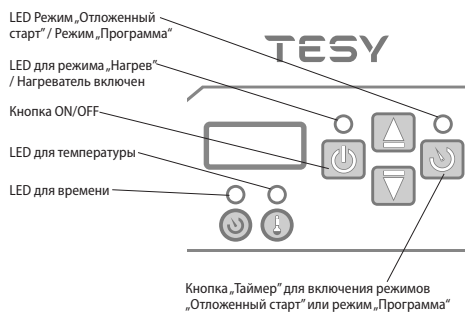
Примечание: если невозможно выполнить указанные выше условия, рекомендуется осуществить установку в пространстве 3 (VOLUME 3).

- Во влажных помещениях (ванные и кухни) источник питания надо установить на высоте не меньше 25 см от пола.
- Инсталляция должна быть оснащена автоматическим предохранителем, при котором расстояние между контактами в выключенном состоянии должно быть не менее 3 мм.

ИНСТРУКЦИЯ ДЛЯ ЭКСПЛУАТАЦИИ

ЭЛЕКТРОННОЕ УПРАВЛЕНИЕ

Режимы работы



Включите конвектор, нажмите Ключ в положение "I" (Включено)

Настройка часов

Настройка часов возможна только в режиме выключено – устанавливается текущий день недели, час и минуты.

Вход в настройку часов происходит с одновременным длинным нажатием кнопок „ON/OFF“ и „Timer“. Параметр, который должен

быть установлен, пульсирует на дисплее. Выбор параметра для настройки происходит с коротким нажатием кнопки „Timer“. Выход из настройки происходит с третьим коротким нажатием кнопки „Timer“ (после настройки минуты).

Настройка начинается с дня недели с 1 до 7 в зависимости, от того какой по очереди текущий день недели и устанавливается через соответствующую цифру. Часы и минуты показываются одновременно на дисплее, пульсирует только параметр для настройки. Изменение величины параметра выполняется при помощи кнопок ▲ и ▼.

Если до 10 сек не нажимается кнопка, выходит из настройки.

Переключение в режим «Нагрев»

Когда панельный конвектор выключен, на цифровом дисплее отображается комнатная температура и должно светить только „LED для температуры“. Одним нажатием кнопки „On/Off“ переходит к режиму „Нагрев“. Тогда включается красный светодиод, обозначающий этот режим. После приблизительно 2 секунд на цифровом дисплее отображается настроенная температура и в этот период „LED для температуры“ не светится. Если комнатная температура меньше установленной, нагреватель автоматически включается.

Когда нагреватель включен, красный светодиод светится постоянно!

Настройка температуры

При нажатии на одну из кнопок ▲ или ▼ переходит в режим „переходит в режим „Изменение заданной температуры“. Дисплей начинает мигать и на нем отображается заданная до сих пор температура. При следующем нажатием кнопки изменяется задание в желаемое направление. Если до 5 сек. не нажмется новая кнопка, новое задание запоминается и переходит автоматически в режим „Нагрев“. Если какая-либо из кнопок „Дисплей начинает мигать и на нем отображается заданная до сих пор температура. При следующем нажатием кнопки изменяется задание в желаемое направление. Если до 5 сек. не нажмется новая кнопка, новое задание запоминается и переходит автоматически в режим „Нагрев“. Если какая-либо из кнопок ▲ или ▼ удерживается более 0,7 с, заданное значение температуры начинает автоматически увеличиваться или уменьшаться со скоростью 4 единицы в секунду. Пределы регулирования заданной температуры с 10 до 30 градусов.

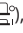
«Отложенное начало» включения панели конвектора.

Когда конвектор находится в режиме «Выкл.», нажатие кнопки «Таймер» позволяет ввести время, затем автоматически перейдете в режим „Нагрев“. Этот режим обозначается мигающим желтым светодиодом, а красный светодиод выключен. На цифровом дисплее будут чередоваться показания окружающей среды, когда светится „LED для температуры“ и оставшееся время в часах до включения „Нагрева“, когда светится „LED для времени“. Сразу после включения этого режима загорается желтый светодиод, а дисплей начинает мигать, показывая время, введенное в часах, до включения конвектора. Первоначально он заряжается 12 часов и Нажатием кнопок ▲ или ▼ изменяется время в нужном направлении. Если какая-либо из кнопок ▲ или ▼ удерживается более 0,7 секунды, стоимость времени автоматически начинает увеличиваться или уменьшаться со скоростью 4 единицы в секунду. Если в течение 5 секунд. не нажимается новая кнопка или не нажимается кнопка «Таймер», регулятор переходит к выполнению режима „Отложенный старт“. Если введено время 00, режим не выполняется. Если уже выполняется режим „Отложенный старт“ и снова нажмете кнопку „Таймер“, оставшееся время можно отрегулировать в обоих возможных направлениях. После установки времени переходит к режиму „Отложенный старт“, при том на дисплее кроме температура подсчитываются оставшиеся часы до перехода к „Нагреву“. Из этого режима можете выйти нажатием кнопки „On/Off“. Тогда конвектор перейдет к режиму „Нагрев“. «Отложенный старт» может быть установлен с 01 до 96 часов.

Выключение режима „Нагрева“

Из режима „Нагрев“ можете выйти нажатием кнопки „On/Off“. Тогда нагреватель выключается, если до этого он был включен, красный светодиод гаснет. На дисплее продолжает отображаться температура в помещении.

Функция „Против замерзания“

Если температура в помещении падает ниже 5 градусов и конвектор выключен (не горит красный светодиод, но включен Механический ключ в положение “I” (Включено) ) , нагреватель включится автоматически с целью предохранения от замерзания.



Установка температурной коррекции датчика температуры не применяется к этой функции.


Включение и выключение функции:

- функция включена по заводским настройкам
- если хотите выключить функцию - конвектор в режиме „Выключен“, нажимая кнопку ▲ и кнопку “On/Off” за три секунды - на дисплее начинает мигать „ON“, нажимая кнопку ▼ вы достигнете позиции „OFF“, подождите 3 секунды и функция автоматически перейдет в режим „OFF“.
- если хотите снова включить функцию - конвектор в режиме „Выключен“, нажимая кнопку ▲ и кнопку “On/Off” за три секунды - на дисплее начинает мигать „OFF“, нажимая кнопку ▼, вы достигнете позиции „ON“, подождите 3 секунды и функция автоматически перейдет в режим „ON“.

Функция температурная коррекция датчика

Из-за специфики профиля температуры в разных помещениях может быть разница в температуре, отображаемой на дисплее и реально измеренная в разных местоположениях отопительного прибора в комнате.


- Посмотрите на температуру, отображаемую на дисплее прибора.
- Измерьте температуру на месте где температура достаточно „комфортная“ для Вас (обычно на высоте около 60 см от пола, в сидячем положении). При установлении разницы в диапазоне $\pm 4^{\circ}\text{C}$ можете задать нужную коррекцию в меню конвектора (Важное условие – функция может быть отрегулирована только после темперирования отапливаемого помещения – в зависимости от типа комнаты минимальное необходимое время – 7 часов) с полученной разницы между показаниями конвектора и измеренной температуры.

 **Замечание:** эта функция используется для лучшего температурного комфорта и энергосбережение для потребителя электрического конвектора, в комнате, где он находится. Разница больше $\pm 4^{\circ}\text{C}$ измеренной температуры желаемого местоположения в комнате, означает, что комната, где вы используете конвектор не очень хорошо изолирована или плохо темперирована.

Пример: конвектор, расположенный в комнате над каменным полом – показания конвектора 18°C (при заданной 22°C), измеренная реальная температура (ощущение достигнутой комфортной температуры) 22°C на высоте 60см от пола -> в этом случае конвектор продолжает нагревать комнату (это прямая потеря энергии, но конвектор не может достигнуть заданной температуры после измерения температуры внизу до пола) и никогда не выключится. Нужно задать температурную коррекцию $+4^{\circ}\text{C}$ датчика – в этом случае конвектор будет показывать 22°C и начнет выключаться – так будет поддерживать заданную температуру 22°C

Нормальное состояние функции – 0°C по заводским настройкам

- если хотите изменить стоимости - конвектор в режиме „Выключен“, нажимая кнопку ▼ и кнопку “On/Off” за три секунды - на дисплее начинает мигать „0°C“. Можете нажимать кнопку ▼ или кнопку ▲ для достижения диапазона „ -4°C “ до „ 4°C “, подождите 3 секунды и функция сохранится автоматически.
- Когда вы хотите проверить, какая коррекция установлена - конвектор в режиме „Выключен“, нажимая кнопку ▼ и кнопку “On/Off” за три секунды - на дисплее начинает мигать заданная температура. Можете нажимать кнопку ▼ или кнопку ▲ чтобы задать новую стоимость в диапазоне „ -4°C “ до „ 4°C “.

 **Замечание:** После функции заводского сброса – следует задать снова коррекцию температуры, заводская стоимость – 0°C .


Адаптивный старт

- адаптивный стартовый контроль означает функция, которая предсказывает и иницирует оптимальный старт нагрева для достижения заданной температуры в желаемое время
- функция включена по заводским настройкам
- если хотите изменить стоимость - конвектор в режиме „Выключен“, нажимая кнопку „▲“ и кнопку “Timer” за три секунды - на дисплее начинает мигать „A On“, нужно нажать „▼“, чтобы достигнуть „AOFF“, подождите 3 секунды и функция будет автоматически сохранена.
- Чтобы вернуться снова в состояние „ON“ - конвектор в режиме „Выключен“, нажимая кнопку ▲ и кнопку “Timer” за три секунды - на дисплее начинает мигать „AOFF“, надо нажать ▼ чтобы достигнуть „A On“, подождите 3 секунды и функция будет автоматически сохранена.


Эта функция устанавливается с учетом ваших потребностей. Прибор работает при заданной температуре «комфорт», до достижения стабильного состояния 17 часов – эта температура является референтной комфортной температурой. Нужно установить и период, чья температура за минимум 7 часов, ниже заданной как комфортной - разница $4^{\circ}\text{C} \pm 1^{\circ}\text{C}$. При активированном адаптивном управлении оставьте электронный терморегулятор прибора работать в продолжении 4 циклов (4 x 24 часа) на циклы комфорта (17 часов) и пониженная температура (7 часов). После завершения последнего периода снижения, до температуры комфорта должно достигнуть в рамках ± 30 минут отклонения к заданному времени - при максимальной разницы $\pm 1^{\circ}\text{C}$ от референтной комфортной температуры.

“Защита от детей”

Вы можете заблокировать кнопки, нажимая продолжительно одновременно стрелки ▼ и „Timer“, чтобы предотвратить изменение настроек. Повторите то же действие, чтобы разблокировать кнопки.

 **Замечание:** Когда клавиатура заблокирована и нажмёте несколько кнопок, на дисплее должна появиться надпись „LOC_“

Настройки в „Недельный программатор 24/7”

 Вход в режим настроек „Недельного программатора” возможен, только если на устройство установлено час и день недели.

Вход в режим настроек и выход из него, происходит через длинное нажатие кнопки „Timer”.

Параметры для настройки – три – день недели, час и задание температуры, переключение трех параметров осуществляется коротким нажатием кнопки „Timer” в последовательность день, час, температура. Запись выполняется через короткое нажатие кнопки „Timer”, после настройки последнего параметра – температура.

Изменение стоимости каждого параметра происходит через кнопки ▲ и ▼.

Условия записи

- e. После записи в точке больше ничего невозможно изменить до выхода из текущей настройки.
- f. При записи первой реперной точки данного дня в текущей настройке, все точки дня заранее очищаются.
- g. Запись последующих точек в определенный день возможна только в течение часов до конца дня, после последней записанной точки
- h. При записи в последний час дня – 23.5h, в этот день больше записей не может быть сделано в текущей настройке и на экране показывается надпись FUL и номер дня.
- i. Если в данный день нет каких-либо записей в текущей настройке, то в нем сохраняются существующие до текущей настройки записи.


Цель настроек записать трех параметров в так называемых реперных точках (SET POINTS), при котором заданная температура в каждой реперной точке выполняется до следующей такой.


Пример: Если в данный день вы сделали запись в 7 часов при температуре 22°C, и хотите, чтоб она осталась такой же до 19 часов (тогда вы планируете чтоб она стала 23°C), вам не нужно запоминать один за другим до 19 часов каждый час, вам нужно только сохранить температуру 22°C в 7 часов и температура 23°C в 19 часов. По умолчанию в этот период (7-19 часов) времени температура будет 22°C.

Механизм записи каждой точки следующий:

При входе в настройки на экране отображается dAY1, а цифра пульсирует, это означает, что это параметр настройки (в этом случае день недели).

- a. С помощью кнопок ▲ и ▼ выбираете желаемый день
- b. Коротким нажатием кнопки „Timer” переходите к установке времени
- c. С помощью кнопок ▲ и ▼ выбираете желаемый час (шаг 0,5h) для точки
- d. Коротким нажатием кнопки „Timer” переходите к установке температуры
- e. С помощью кнопок ▲ и ▼ выбираете желаемую температуру. Возможные температуры с 10 до 30°C и состояние выключено – OFF.
- f. Коротким нажатием кнопки „Timer” делаете запись точки и переходите к установке следующей точки (на экране снова написано dAYX) и переходите к пункту a/ для следующей точки.
- g. При записи в последний час дня – 23.5h, в этот день больше записей не может быть сделано в текущей настройке и на экране показывается надпись FUL_ и номер дня.


 **ВНИМАНИЕ:** Точки в определенный день могут записываться только в порядке возрастания часов.


 **Информация:** Перед выполнением пункта f) оператор может вернуться к пункту a) для коррекции трех параметров точки через короткое нажатие кнопки ON/OFF, без записи в память.

Дописать точки в данный день может происходить произвольно, после записи точек в другие дни, но только соблюдая восходящий порядок часов дня.

Выход из настроек происходит через длительное нажатие кнопки „Timer” или подождя 30 сек.

После выхода из настроек можно просмотреть записанные точки с помощью кнопок ▲ и ▼ если устройство находится в программном режиме.

 **Замечание:** После включения прибор переходит в режим (нагрев или программный), в котором он работал в последний раз.

 **Замечание:** Переключение режима работы (нагрев или программный), с помощью коротким нажатием кнопки Timer при включённом состоянии.

Функция „Сброс“ до заводских настроек

Когда конвектор находится в режиме „Выключен“, нажимаются одновременно кнопку ▲ и кнопку ▼ за шесть секунд – после этого на дисплее начинает мигать „_ _ _ _“ и символы начинают крутиться. После „Сброса“ вы увидите на дисплее измеренная температура окружающей среды.

После использования функции сброса, вы должны задать снова функции ниже:

- установить часы
- задайте стоимость для коррекции температуры (если нужно)
- деактивировать функцию Режим против замораживания (если нужно)
- деактивировать адаптивный старт (если нужно)
- недельная программа - 24/7

Если вы отключите электрического конвектора от сети питания это не изменит заданную температуру и режим работы, оставшийся до его выключения. Если например он был в режиме **„Нагрева“**, при выключение прибора и после его включения, он снова будет в этом режиме с той же установленной температурой.



Принцип, установленный в электрическом конвекторе с энергонезависимой памятью, заключается в сохранении настроек гарантированно до 90 минут и без гарантии до 150 минут.

Когда температура в помещении ниже, чем установленная электронным термостатом, конвектор запускается и работает до тех пор, пока температура в помещении не достигнет заданной стоимости. Когда температура в помещении выше чем заданная терморегулятором стоимость, конвектор автоматически переключится в режим „Готов к включению“.

Отображение информации на дисплее

Показания индикации, если мы не находимся в настройке:

- a. В режиме выключено – последовательно показываются
 - часы (час и минуты)
 - измеренная температура в комнате
- b. В режиме нагрева – показывает измеренная температура в комнате
- c. В программном режиме - последовательно показываются:

- день недели нижняя строка и измеренная температура. 6_22
 - день недели нижняя строка и пульсирует заданная в программе температура (задание текущего времени), которая также может быть символом OFF. 6_23
- d. При включение питания конвектора, на дисплее показываются:
 - черточки „----“, если при отключения питания он был в состоянии выключено.
 - черточки „----“, которые заменяются через 2 секунды с указанием мгновенной температуры, если при отключения питания он был в состоянии включено.
 - e. Две цифры (01÷96) в сочетании с миганием желтого светодиода, которые показывают оставшееся время в часах до отложенного старта, если при отключения питания он был в режим „Отложенный старт“.
 - f. В целях дополнительной экономии электроэнергии, электронный терморегулятор уменьшает яркость света всех индикаторов. При нажатии любой кнопки, яркость увеличивается на 8 секунд, затем снова уменьшается.
 - g. Если на дисплее появляется „t0“ или „t1“, это означает, что система самодиагностики обнаружила проблему в терм сенсоре. „t0“ е при порванном кабеле сенсора, а „t1“ при сенсоре короткого замыкания. В этом случае электрический конвектор отключается и его повторное включение будет возможно после устранения дефекта. Неисправность должна быть устранена квалифицированным специалистом.
 - h. При включении питания до 2 секунды, на дисплее вместо температуры или времени появляются черточки «----».
 - i. Когда на цифровом дисплее се отображается температура, горит „LED для температуры“, когда отображается время до отложенного старта, горит „LED для времени“

ЗАЩИТА

- Прибор оснащен предохранительным термостатом, который автоматически выключает нагреватель в случаях повышения температуры в конвекторе больше допустимых стоимостей /т.назв. перегрев прибора/.
- Защитный термостат автоматически восстанавливает работу конвектора только тогда, когда температура прибора упадет ниже допустимых предельных стоимостей.

ОЧИСТКА

- Обязательно надо отключить выключатель прибора и вынуть вилку из розетки в стене. Прежде чем начать чистить конвектор, оставьте его охладиться, отключая от розетки
- Конвектор может быть очищен с минимальными усилиями в задней части – просто нажмите „Р”-образные кронштейны /fig.2/ на спинке прибора, этим способом можете освободит конвектор соответственно очистить его заднюю сторону.
- Протирайте корпус влажной тряпкой, пылесосом или щеткой.
- Никогда не погружайте прибор в воду – это опасно для жизни из-за поражения электрическим током!
- Никогда не используйте бензин, растворитель или жесткие абразивные чистящие средства, так как они могут повредить покрытие устройства.

ХРАНИЕНИЕ

- Перед хранением конвектора, оставьте его охладиться, отключая от розетки
- Используйте оригинальную упаковку для сохранения вентилятора если не будете пользоваться его известное время. Данный продукт защищен от пыли и грязи при сохранении его в оригинальной упаковке.
- Никогда не храните теплый прибор в его упаковке!
- Продукт нужно хранить в сухом и защищенном от прямых солнечных лучей месте.
- Категорически запрещается его хранение во влажных или мокрых помещениях.

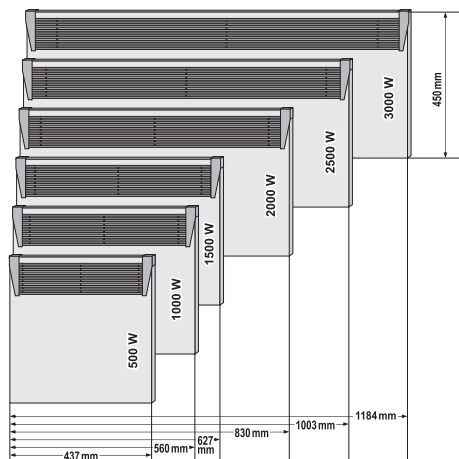
СЕРВИСНАЯ ПОДДЕРЖКА ПРИБОРА

- В случае неисправности прибора, просим вас связаться с ближайшем к вам авторизованным сервисом. /они указаны в карте гарантии прибора./
- **Важно:** В случае рекламации и/или нарушения ваших прав потребителя, пожалуйста, свяжитесь с поставщиком этого прибора на указанных адресах или через интернет страницу компании: www.tesy.com

ГАБАРИТЫ УСТРОЙСТВА, ОТАПЛИВАЕМЫЙ ОБЪЕМ И ПЛОЩАДЬ В ПОМЕЩЕНИИ

Модель	Отапливаемый объем	Отапливаемая площадь
CN 03 050 EIS W - 500W	10* - 15 m ³	4* - 6 m ²
CN 03 100 EIS W - 1000W	20* - 30 m ³	8* - 12 m ²
CN 03 150 EIS W - 1500W	30* - 45 m ³	12* - 18 m ²
CN 03 200 EIS W - 2000W	40* - 60 m ³	16* - 24 m ²
CN 03 250 EIS W - 2500W	50* - 70 m ³	20* - 28 m ²
CN 03 300 EIS W - 3000W	60* - 80 m ³	24* - 32 m ²

* Минимально гарантированный обогреваемый объем (площадь) нагрева при среднем коэффициенте теплопроводности $\lambda=0.5$ W/(m²K) для отапливаемого помещения. Более высокие стоимости для обогреваемого объема (площади) достигаются при средней стоимости $\lambda=0.35$ W/(m²K). Стандартная высота помещения – 2.5 метра.




Внимание: во избежание перегрева не накрывайте прибор!




Инструкции по защите окружающей среде

Старые электроприборы содержат ценные материалы и поэтому нельзя выбрасывать их вместе с бытовыми отходами! Мы просим вас содействовать своим активным вкладом для сохранения окружающей среды и нужно передать его в организованных пунктах (если есть такие)

 Antes del uso inicial de este aparato, lea atentamente estas instrucciones y guárdelas para consultas futuras. En caso de entregar este aparato a un nuevo usuario, entregue también estas instrucciones.

Felicitaciones por escoger el convector CN03. Este producto propone calefacción en el invierno y permite obtener una temperatura agradable de la habitación según las necesidades individuales. La explotación y el mantenimiento adecuados, según las instrucciones, garantizan un funcionamiento largo y eficaz de este aparato.


PRECAUCIONES IMPORTANTES E INSTRUCCIONES DE SEGURIDAD:

 **Niños de menos de 3 años de edad no deben estar cerca del aparato sin supervisión permanente.**

Niños de entre 3 y 8 años de edad pueden utilizar solamente el interruptor de encendido/apagado, a condición que el aparato esté instalado correctamente y esté listo para un funcionamiento normal, si tengan instrucciones para un uso seguro del aparato y entiendan el riesgo.

Niños de entre 3 y 8 años de edad no deben conectar el aparato a la red eléctrica, no deben ajustarlo, limpiarlo o ejercer un mantenimiento.

Niños mayores de 8 años y personas con minusvalías físicas o mentales, tal como personas sin conocimientos y experiencia necesarios no deben usar el aparato sin supervisión o sin instrucciones de un uso seguro del aparato y si no entiendan el riesgo. Los niños no deben jugar con el aparato. Los niños no deben limpiar el aparato sin supervisión.

 **Cuando el convector está encendido, las superficies externas están calientes y podrían causar quemaduras. Donde están niños o personas con discapacidad, ponga atención especial.**

- ntes de conectar el aparato, compruebe que el voltaje del suministro corresponde al indicado en la placa de características.
- Este aparato está diseñado solamente para calentar viviendas, no con fines comerciales. Cada uso diferente se considera como inadecuado y por lo tanto peligroso. El fabricante declina cualquier responsabilidad por los daños derivados de un uso incorrecto e imprudente del aparato. La garantía no tendrá validez en caso de incumplimiento de estas instrucciones de seguridad.
- Desconecte el radiador al salir de la casa. Asegúrese de que el interruptor esté en la posición de apagado (se refiere a los modelos con control mecánico).
- Coloque el convector a distancia mínima de 100cm de objetos inflamables, como muebles, almohadas, sábanas, ropa, cortinas, etc.
- No use el aparato cerca de materiales inflamables (por ejemplo: cerca de gases inflamables o aerosoles) – existe un riesgo enorme de explosión e incendio!
- No introduzca objetos extraños en las aberturas de ventilación (entrada o salida de aire) por haber un riesgo de descarga eléctrica, incendio o avería en el convector.
- Este aparato está diseñado solamente para uso doméstico y no para criar animales!
- No obstruya las rejillas de protección, no bloquee la entrada y la salida de aire col°Cando el aparato frente alguna superficie. Todos los objetos deben estar a distancia mínima de 1m del aparato por parte delantera y por parte lateral.
- La causa más frecuente de sobrecalentamiento es la acumulación de polvo y pelusa en el aparato. Limpie regularmente las aberturas de salida y entrada de aire utilizando una aspiradora. Antes de limpiar el convector, desconéctelo obligatoriamente de la red eléctrica.

- Nunca toque el aparato con manos mojadas o húmedas – existe un riesgo enorme para la vida!
- Para desconectar rápidamente el aparato de la red eléctrica, en caso de necesidad, el enchufe debe estar al alcance fácil del usuario. Para desconectar el convector de la red eléctrica nunca lo haga estirando del cable de alimentación o tirando del mismo aparato.
- ¡ATENCIÓN! Cuando el convector está encendido, el aire que sale, se calienta a más de 100°C.
- En caso de que el cable de alimentación esté dañado, no lo use más, póngase en contacto con el servicio oficial para más instrucciones.
- En caso de no desear usar más un aparato de este tipo, le recomendamos que lo desconecte de la red eléctrica y corte el cable de alimentación para hacer el convector inútil. Tome medidas para preservar de daños a los niños que podrían utilizar el aparato amortizado para juegos.
- El aparato no debe ser instalado justo debajo de un enchufe.
- ¡ATENCIÓN! No use el convector en combinación con programador, contador o con otro dispositivo que puede encender el aparato automáticamente, porque existe un riesgo de incendio, en caso de que el aparato esté cubierto o col°Cado incorrectamente.
- Col°Car el cable de alimentación de manera que no obstaculiza el movimiento de personas en la habitación y ellos no pisan sobre él! Utilizar solamente prolongadores autorizados, es decir que tienen un símbolo de homologación.
- Para desplazar el convector nunca lo haga estirando del cable de alimentación y no utilizar el aparato para transportar objetos!
- No doble el cable de alimentación, ni lo introduzca en aberturas con bordes cortantes. No deje el cable de alimentación en contacto con superficies calientes o con un fuego!

EMBALAJE

- Después de desembalar el convector, verifique que el aparato no esté dañado o si esté equipado por completo. En caso de algún daño o suministro incompleto, póngase en contacto con la tienda, donde ha comprado el radiador.
- Guarde la caja original! Se puede utilizar para almacenamiento y transporte del aparato para protegerlo contra daños de transporte!
- Tire todos los materiales de embalaje, respetando las normas para conservación del medio ambiente. No permita que los niños jueguen con las bolsas de plástico!

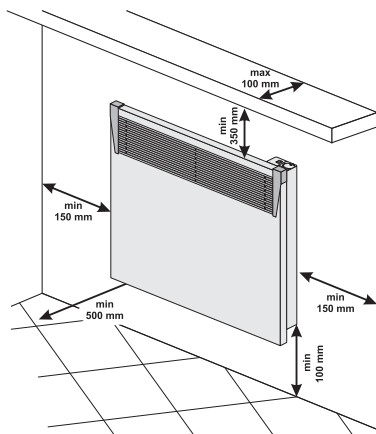
INSTRUCCIONES DE INSTALACIÓN

- Este aparato está diseñado para calentar solamente estancias cerradas y para montarse en la pared.

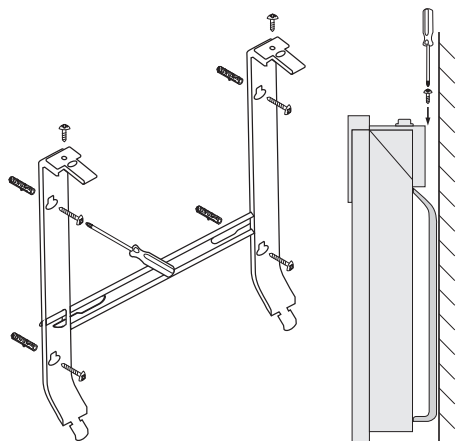


Importante: En viviendas con volumen superior a 45m³ se recomienda el uso de dos o más convectores.

- No ubique el convector directamente debajo de un enchufe.
- No instale/no use el convector:
 1. En un lugar, donde existe tracción para que no se influya en los ajustes de control;
 2. Directamente debajo de un enchufe;
 3. En espacio 1 (volumen 1) en curators de baño;
 4. En espacio 2 (volumen 2), de forma que los mandos estén al alcance de una persona que se esté bañando o duchando;
- Para fijar el convector en la pared debe utilizar los soportes murales originales que se incluyen. Es imprescindible respetar las distancias libres mínimas indicadas



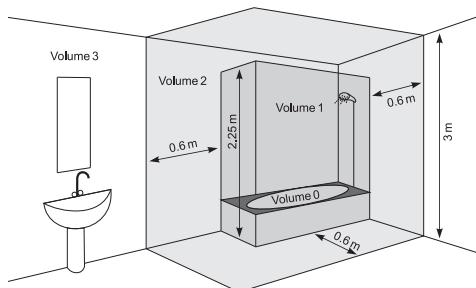
- Primero quite los soportes murales de la parte trasera del aparato. Destornillar los dos tornillos, que están en la parte superior de las dos sujeciones verticales de los soportes murales. Después traiga la parte superior de la sujeción, apretando fuertemente las dos partes superiores, introducidos en la parte trasera del convector.



- Descuelgue el soporte mural del cuerpo trasero del aparato, deslizándolo hacia abajo.
- Fijar el soporte mural a la pared usando los cuatro tornillos.
- Levante el convector hasta la posición vertical y inserte las dos partes inferiores salientes de los soportes murales en las dos ranuras ubicadas en la parte trasera del convector. Después levante el convector y inserte las dos partes superiores salientes de los soportes murales en las dos ranuras superiores en la parte trasera del convector. Por último devuelva en su lugar los dos tornillos y atornillelos para fijar firmemente el convector a la pared.

INSTALACIÓN EN EL CUARTO DE BAÑO

- La instalación debe ser efectuada de acuerdo con la práctica y con la legislación eléctrica vigente en su país (Directiva de electricidad de la Comunidad Europea y exigencias de las instalaciones especiales o instalaciones en lugares como cuartos de baño o cabina de ducha HD60364-7-701(IEC60364-7-701:2006)).



- En caso de instalar el convector en cuarto de baño o en otra estancia semejante, respetar las exigencias siguientes: El convector tiene protección IP24 (protección contra proyecciones de agua). Por eso debe ser montado en el espacio 2 (volume2) (ver la esquema más abajo), para que se mantenga el módulo de manejo del convector (interruptor y termostato) fuera del alcance de la persona que se ducha o está en la bañera. La distancia mínima entre el aparato y una fuente de agua debe ser de al menos 1m y el aparato debe ser montado obligatoriamente en la pared! En caso de dudas sobre la instalación de este convector en el cuarto de baño, consulte a un electricista cualificado.

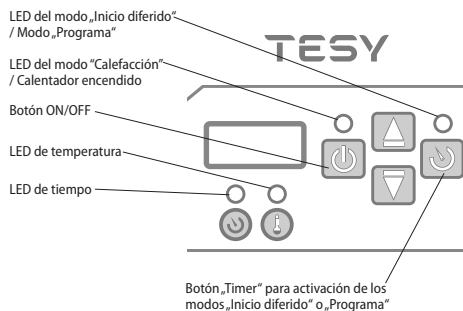
Advertencia: en caso de que estas instrucciones sean irrealizables, se recomienda un montaje en el espacio 3 (VOLUME 3).

- En estancias húmedas (como baños y c°Cinas) la fuente de alimentación eléctrica debe ser instalada a altura de al menos 25cm del suelo.
- La instalación debe ser equipada con un dispositivo automático de seguridad, en que la distancia entre los contactos en posición de encendido debe ser de al menos 3mm.

INSTRUCCIÓN DE EXPLOTACIÓN

CONTROL ELECTRÓNICO

Modos de funcionamiento



Encienda el convector, presione el interruptor en posición „I“ (Encendido) $\frac{\text{I}}{\text{O}}$.

Ajuste del reloj

El ajuste del reloj sólo es posible en el modo de apagado – se ajusta el día actual de la semana, la hora y los minutos.

Se puede entrar en el ajuste del reloj pulsando los botones „ON/OFF“ y „Timer“ simultáneamente. El parámetro a ajustar está pulsando en la pantalla. La selección del parámetro de ajuste se realiza presionando

brevemente el botón „Timer“. Se puede salir del ajuste presionando por tercera vez el botón „Timer“ brevemente (después de ajustar los minutos).

El ajuste comienza con un día de la semana de 1 a 7 dependiendo de cuál es el día actual de la semana y se establece con el dígito correspondiente. Las horas y los minutos se visualizan simultáneamente en la pantalla, mientras sólo está pulsando el parámetro de ajuste. El valor del parámetro se cambia a través de los botones ▲ y ▼.

Si ningún botón se presiona durante 10 segundos, se sale del ajuste.

Activación del modo de „Calefacción“

Cuando el convector del panel está apagado, la temperatura ambiente debe ser visualizada en la pantalla digital y sólo el „LED de temperatura“ debe ser iluminado. Al pulsar el botón „On/Off“ una vez, se cambia al modo „Calefacción“. A continuación se enciende el LED rojo que indica este modo. Durante unos 2 segundos, la temperatura ajustada se visualiza en la pantalla digital, y durante este período el „LED de temperatura“ no está encendido. Si la temperatura ambiente es inferior a la temperatura ajustada, el calentador se encenderá automáticamente.

Cuando el calentador está encendido, el LED rojo está continuamente iluminado!

Ajuste de la temperatura

Presionando uno de los botones ▲ o ▼ se cambia al modo „Cambio de la temperatura ajustada“. La pantalla parpadeará y mostrará la temperatura ajustada actual. Pulsando los botones otra vez se cambia el valor ajustado en la dirección deseada. Si dentro de 5 segundos no se pulsa ningún botón nuevo, el nuevo valor ajustado se guardará y se cambiará automáticamente al modo „Calefacción“. Si uno de los botones ▲ o ▼ se mantiene pulsado durante más de 0.7 segundos, el valor de la temperatura ajustada comienza automáticamente a aumentar o disminuir por 4 unidades por segundo. Los límites de corrección del valor de la temperatura ajustada oscilan entre 10 y 30 grados.

„Inicio diferido“ del encendido del convector de panel.

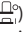
Cuando el convector está en el modo „Apagado“, presionando el botón „Timer“ le permite ingresar un tiempo después del que se cambiará automáticamente al modo „Calefacción“. Este modo se indica mediante un LED intermitente amarillo y un LED rojo apagado. La pantalla digital alternará la indicación de la temperatura ambiente cuando el „LED de temperatura“ está iluminado y el tiempo restante en horas hasta que se active „Calefacción“ cuando el „LED de tiempo“ está

iluminado. Inmediatamente después de encender este modo, el LED amarillo se ilumina y la pantalla parpadeará mostrando el tiempo introducido en horas hasta el encendido del convector. Se carga inicialmente durante 12 horas, y al presionar los botones ▲ o ▼ cambia el tiempo en la dirección deseada. Si uno de los botones ▲ o ▼ se mantiene pulsado durante más de 0.7 segundos, el valor del tiempo comienza automáticamente a aumentar o disminuir por 4 unidades por segundo. Si dentro de 5 segundos no se presiona ningún botón nuevo o se presiona el botón „Timer“, el controlador va a ejecutar el modo de „Inicio diferido“. Si se introduce un tiempo 00, el modo no se ejecutará. Si el modo de inicio diferido ya está en marcha y presiona el botón „Timer“ otra vez, podrá corregir el tiempo restante en ambas direcciones posibles. Después del ajuste de la hora, se cambiará al modo „Inicio diferido“, y en la pantalla junto con la temperatura, se cuentan las horas restantes hasta que se cambie al modo de „Calefacción“. Se puede salir de este modo pulsando el botón „On/Off“. El convector cambiará entonces al modo de „Calefacción“. El „Inicio diferido“ se puede ajustar de 01 a 96 horas.

Desactivación del modo de „Calefacción“

Puede salir del modo de „Calefacción“ pulsando el botón „On/Off“. El calentador se apagará, si ha sido encendido, el LED rojo se apagará. La pantalla continuará indicando la temperatura ambiente.

Función „Antihielo“

Si la temperatura ambiente cae por debajo de 5 grados y el convector está apagado (el LED rojo no está iluminado, pero el Interruptor está girado en la posición „I“ (Encendido )), el calentador se encenderá automáticamente para evitar las heladas.



El ajuste de corrección de la temperatura del sensor de temperatura no se aplica a esta función.


Activación y desactivación de la función:

- la función está activada por defecto
- si desea desactivar la función – el convector está en el modo “Apagado”, al presionar los botones ▲ y “On/Off” durante tres segundos – „ON“ parpadeará en la pantalla, pulsando el botón ▼ llegará a la posición „OFF“, espere durante 3 segundos y la función cambiará automáticamente al modo „OFF“.
- si desea volver a activar la función – el convector está en el modo “Apagado”, al presionar los botones ▲ y “On/Off” durante tres segundos – „OFF“ parpadeará en la pantalla, pulsando el botón ▼ llegará a la posición „ON“, espere durante 3 segundos y la función cambiará automáticamente al modo „ON“.

Función de corrección de la temperatura del sensor de temperatura

Debido a la especificidad del perfil de temperatura en las distintas estancias puede haber una diferencia entre la temperatura que se muestra en la pantalla y la que está medida realmente en las diversas ubicaciones del calentador en la habitación.

- Mire la temperatura que aparece en la pantalla del dispositivo
- Mida la temperatura en un lugar donde la temperatura sea lo suficientemente "cómoda" para usted (generalmente a una altura de unos 60 cm del suelo, en posición sentado). Si hay una diferencia en el rango de $\pm 4^{\circ}\text{C}$, puede establecer la corrección que sea necesaria en el menú del convector (una condición importante - la función sólo se puede ajustar después del calentamiento de la habitación que está calentada - según el tipo de habitación el tiempo mínimo es de 7 horas) con la diferencia entre la indicación del convector y la temperatura medida.


 **Nota:** Esta función se utiliza para mejorar el confort de temperatura y el ahorro de energía para el usuario del convector eléctrico en la habitación donde éste se encuentra. Una diferencia mayor que $\pm 4^{\circ}\text{C}$ de la temperatura medida en el lugar deseado en la habitación significa que la habitación donde se utiliza el convector no está bien aislada o no está bien templada.

Ejemplo: un convector colgado en una habitación sobre un suelo de piedra - indicaciones del convector de 18°C (con una temperatura establecida de 22°C), la temperatura real medida (sensación de una temperatura cómoda) de 22°C a una altura de 60 cm del suelo -> en este caso, el convector continuará recalentando la habitación (esto es una pérdida directa de potencia, pero el convector no puede alcanzar la temperatura ajustada ya que mide la temperatura cerca del suelo) y así nunca se apagará. Es necesario ajustar una corrección de la temperatura de $+4^{\circ}\text{C}$ del sensor - en este caso el convector mostrará 22°C y comenzará a apagarse - manteniendo la temperatura ajustada de 22°C

El estado normal de la función es de 0°C por defecto

- si desea cambiar el valor - el convector está en el modo "Apagado", al presionar los botones \blacktriangledown y "On/Off" durante tres segundos - „ 0°C " parpadeará en la pantalla. Puede presionar el botón \blacktriangledown o el botón \blacktriangle para llegar al rango „ -4°C " a „ 4°C ", espere durante 3 segundos y la función se guardará automáticamente.
- Cuando desea comprobar qué corrección está ajustada - el convector está en el modo "Apagado", al presionar los botones \blacktriangledown y "On/Off" durante tres

segundos - la temperatura ajustada parpadeará en la pantalla. Puede presionar el botón \blacktriangledown o el botón para establecer un valor nuevo en el rango de „ -4°C " a „ 4°C ".

 **Nota:** Después de la función de restablecimiento de los valores de fábrica, debe establecer de nuevo la corrección de temperatura, el valor predeterminado es de 0°C .


Arranque adaptativo

- el control de arranque adaptativo significa una función que predice e inicia el inicio óptimo del calentamiento para que se alcance la temperatura establecida en el momento deseado
- la función está activada por defecto
- si desea cambiar el valor - el convector está en el modo "Apagado", al presionar los botones „ \blacktriangle " y "Timer" durante tres segundos - „A_On" parpadeará en la pantalla, debe presionar „ \blacktriangledown " para llegar a „A_OFF", espere durante 3 segundos y la función se guardará automáticamente.
- Para volver al estado „ON" - el convector está en el modo "Apagado", al presionar los botones \blacktriangle y "Timer" dentro de tres segundos - „A_OFF" parpadeará en la pantalla, debe presionar \blacktriangledown para llegar a „A_On", espere durante 3 segundos y la función se guardará automáticamente.

Esta función se ajusta según sus necesidades. El aparato funciona a una temperatura de "confort" establecida hasta que se alcance un estado estacionario de 17 horas - esta temperatura es la temperatura de confort de referencia. Se debe ajustar un período de 7 horas como mínimo de una temperatura inferior que la que está establecida como una temperatura de confort, con una diferencia de $4^{\circ}\text{C} \pm 1^{\circ}\text{C}$. Con el control adaptativo activado, deje que el termostato electrónico del aparato funcione durante 4 ciclos (4 x 24 horas) en ciclos de confort (17 horas) y una temperatura reducida (7 horas). Al finalizar el último período de disminución, la temperatura de confort se alcanzará dentro de ± 30 minutos de desviación del tiempo ajustado - con una diferencia máxima de $\pm 1^{\circ}\text{C}$ respecto a la temperatura de referencia de confort.

"Protección de niños"

Puede bloquear los botones presionando simultáneamente las flechas \blacktriangledown y „Timer" para evitar el cambio de los ajustes. Repita la misma acción para desbloquear los botones.

 **Nota:** Cuando el teclado está bloqueado y al presionar algunas teclas, la pantalla debe mostrar „LOC_"

Ajustes en „Programador semanal 24/7“



Entrar en el ajuste „Programador semanal“ sólo es posible si el dispositivo está ajustado a la hora y el día de la semana.

La entrada y la salida de los ajustes se realiza presionando el botón „Timer“ por un largo tiempo.

Los parámetros de ajuste son tres - día de la semana, hora y temperatura, la conmutación de los tres parámetros realizándose pulsando brevemente el botón „Timer“ en la secuencia: día, hora, temperatura. La memorización se realiza presionando brevemente el botón „Timer“ después de ajustar el último parámetro - la temperatura.

El cambio del valor de cada parámetro se realiza a través de los botones ▲ y ▼.

Condiciones de memorización

- Después de la memorización en un punto, no se pueden hacer más cambios hasta salir del ajuste actual.
- Al memorizar el primer punto de referencia de un día dado en el ajuste actual, todos los puntos del día se borran de antemano.
- La memorización de los puntos subsiguientes en un día dado es posible solamente en las horas hasta el final del día después del último punto memorizado.
- Al hacer una memorización en la última hora del día - 23.5h, durante este día no se pueden realizar más memorizaciones en el ajuste actual, y en la pantalla se mostrarán FUL_ y el número del día.
- Si no se realizan memorizaciones en el ajuste actual de un día determinado, se guardarán las memorizaciones existentes hasta el ajuste actual.

El propósito de los ajustes es memorizar los tres parámetros en los llamados puntos de referencia (SET POINTS), ejecutando la temperatura ajustada en cada punto de referencia hasta la siguiente.

Ejemplo: Si ha hecho una memorización en un día determinado a las 7 en punto con una temperatura de 22°C y desea que ésta permanezca igual hasta las 19 horas (entonces planea que la temperatura alcance 23°C), no hay que memorizar uno por uno por cada hora hasta las 19 horas, sólo es necesario memorizar una temperatura de 22°C a las 7 horas y una temperatura de 23°C a las 19 horas. Por defecto, en este periodo (7-19 horas) la temperatura será de 22°C.

El mecanismo de memorización de cada punto es el siguiente:

Después de entrar en los ajustes, dAY1 aparecerá en la pantalla, el número está parpadeando, lo que significa que éste es el parámetro de ajuste (en este caso, el día de la semana).

- Utilice los botones ▲ y ▼ para seleccionar el día deseado
- Al presionar el botón „Timer“ brevemente, se cambia al ajuste de la hora
- Utilice los botones ▲ y ▼ para seleccionar el tiempo deseado (en incrementos de 0.5h) por punto
- Al presionar el botón „Timer“ brevemente, se cambia al ajuste de la temperatura
- Utilice los botones ▲ y ▼ para seleccionar la temperatura deseada. Las temperaturas posibles son de 10 a 30°C y el estado apagado OFF.
- Al presionar brevemente el botón „Timer“ se realiza la memorización de un punto y se cambia al ajuste del siguiente punto (dAYX se vuelve a mostrar en la pantalla) y se pasa al párrafo a / para el punto siguiente.
- Al realizar una memorización en la última hora del día - 23.5h, durante este día no se pueden realizar más memorizaciones en el ajuste actual, y en la pantalla aparecerán FUL_ y el número del día.



CUIDADO: Los puntos en un día determinado sólo se pueden memorizar en orden ascendente de las horas.



Información: Antes de ejecutar el párrafo f), el operador puede volver al párrafo a) para la corrección de los ajustes de los tres parámetros del punto, pulsando brevemente el botón ON/OFF, sin realizarse una memorización.


La memorización adicional de puntos en un día determinado puede realizarse aleatoriamente, después de la memorización de puntos en otros días, pero sólo observando el principio del orden ascendente de las horas del día.

Para salir de los ajustes debe presionar el botón „Timer“ por un tiempo largo o esperar durante 30 segundos.

Después de salir de los ajustes es posible ver los puntos memorizados usando los botones ▲ y ▼ si el dispositivo está en modo de programación.



Nota: Después del encendido, el aparato cambiará al modo (calefacción o programación) en el que ha trabajado por la última vez.

 **Nota:** El cambio del modo de funcionamiento (calefacción o programación) se realiza presionando brevemente el botón **“Timer”** en estado de encendido.

Función „Restablecimiento” de los valores de fábrica

Cuando el convector está en el modo “Apagado”, presione los botones ▲ y ▼ simultáneamente durante seis segundos – a continuación „— — —” parpadeará en la pantalla y los símbolos girarán. Cuando se realiza „Restablecimiento” usted verá en la pantalla el valor medido de la temperatura ambiente.

Después de haber usado la función de restablecimiento, debe establecer las funciones a continuación de nuevo:

- establecimiento de reloj
- establecimiento de valor de corrección de la temperatura (si sea necesario)
- desactivación de la función Modo “Antihielo” (si sea necesario)
- desactivación del Arranque adaptativo (si sea necesario)
- programa semanal- 24/7

Si el convector eléctrico se desconecta de la fuente de alimentación, esto no cambiará la temperatura establecida y el modo de funcionamiento de antes de ser apagado. Por ejemplo, si el aparato estaba en modo de **“Calefacción”** cuando fue apagado, después de ser encendido, el aparato estará en el mismo modo con la misma temperatura ajustada.



El principio del convector eléctrico con la memoria no volátil es almacenar los ajustes con garantía por hasta 90 minutos y con ninguna garantía hasta 150 minutos..

Cuando la temperatura ambiente es inferior a la establecida a través del termostato electrónico, el convector comienza a funcionar y funcionará hasta que la temperatura ambiente alcance el valor ajustado. Cuando la temperatura ambiente es superior al valor ajustado con el termostato, el convector cambiará automáticamente al modo de „Espera”.

Información que se muestra en la pantalla

Indicaciones del indicador si no está en un ajuste:

- a. *En el modo de apagado, se muestra sucesivamente:*
 - el reloj (hora y minutos)
 - la temperatura ambiente medida
- b. *En el modo de calefacción – se muestra la temperatura ambiente medida*
- c. *En el modo de programación – se muestra sucesivamente:*

- el día de la semana, barra baja y la temperatura medida. 6_22
 - el día de la semana, barra baja y la temperatura programada que está pulsando (valor establecido para la hora actual) que también puede ser el símbolo OFF. 6_23
- d. *Cuando se enciende la alimentación del convector, en la pantalla aparece:*
 - Las barras „----”, si cuando la alimentación fue desconectada, él estaba en estado de apagado.
 - Las barras „----”, que después de 2 segundos son reemplazadas por la indicación de la temperatura instantánea, si cuando la alimentación fue desconectada, él fue en estado de encendido.
 - e. *Dos dígitos (01÷96) en combinación con el parpadeo del LED amarillo, mostrando el tiempo restante en horas hasta el inicio diferido, si el convector estaba en modo de “Inicio diferido” cuando la tensión fue apagada.*
 - f. *Con el fin del ahorro adicional de electricidad, el termostato electrónico reduce el brillo de todos los indicadores. Al pulsar cualquier botón, el brillo aumenta durante 8 segundos y, a continuación, disminuye de nuevo.*
 - g. *Si „t0” o „t1” aparecen en la pantalla, esto significa que el sistema de autodiagnóstico ha detectado un problema en el termosensor. „t0” aparece en caso de un cable del sensor roto y „t1” aparece en caso de sensor de cort°Circuito. En este caso, el convector eléctrico se desconectará y será posible volver a ponerlo en servicio una vez que se haya eliminado el fallo. El defecto debe ser eliminado por un especialista calificado.*
 - h. *Cuando se enciende la alimentación por hasta 2 segundos, „----” aparecerá en la pantalla en lugar de la temperatura o el tiempo.*
 - i. *Cuando en la pantalla digital se visualiza la temperatura, el “LED de temperatura” será iluminado, cuando en la pantalla digital se visualiza el tiempo hasta el inicio diferido, el „LED de tiempo” será iluminado*

PROTECCIÓN

- El aparato está protegido por un dispositivo de seguridad, que apagará automáticamente el calentador en caso de sobrecalentamiento del convector.
- El aparato se volverá a poner en funcionamiento una vez enfriado el convector.

LIMPIEZA Y MANTENIMIENTO

- Antes de proceder a limpiar el aparato, asegúrese de que esté desenchufado del suministro de energía y de que se haya enfriado.
- La limpieza del convector es fácil – aprete los soportes en forma de “P” /fig.2/ en la parte trasera del convector para liberar el aparato. De esta manera se puede limpiar la parte trasera del convector.
- Limpie el cuerpo del convector con un paño húmedo, una aspiradora o un cepillo.
- No sumerja el aparato en agua – existe un riesgo enorme para la vida!
- No utilice gasolina, disolventes o productos abrasivos, ya que causen daños en la cobertura del aparato.

CONSERVACIÓN

- Antes de guardar el convector, desconecte la unidad de la red eléctrica y asegúrese de que esté totalmente fría.
- Utilice el embalaje original para guardar la unidad, para proteger el aparato contra el polvo y la suciedad.
- Nunca guarde el convector caliente en su embalaje!
- Mantenga el aparato en un lugar seco y protegido contra la luz del sol.
- No mantenga el convector en lugares húmedos o mojados.

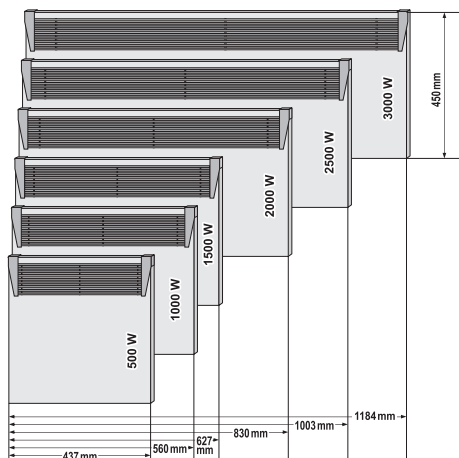
SERVICIO Y REPARACIÓN

- En caso de avería póngase en contacto con el Servicio Técnico Oficial más cercano /ver la lista de los servicios oficiales en la garantía del aparato/.
- **Importante:** En caso de reclamación y/o violación de sus derechos de consumidor, póngase en contacto con el proveedor de este convector, utilizando las direcciones indicadas o la página web: www.tesy.com

TAMAÑO DEL APARATO, ESPACIO Y SUPERFICIE A CALEFACCIONAR

Modelo	Espacio a calefactonar	Superficie a calefactonar
CN 03 050 EIS W - 500W	10* - 15 m ³	4* - 6 m ²
CN 03 100 EIS W - 1000W	20* - 30 m ³	8* - 12 m ²
CN 03 150 EIS W - 1500W	30* - 45 m ³	12* - 18 m ²
CN 03 200 EIS W - 2000W	40* - 60 m ³	16* - 24 m ²
CN 03 250 EIS W - 2500W	50* - 70 m ³	20* - 28 m ²
CN 03 300 EIS W - 3000W	60* - 80 m ³	24* - 32 m ²

* El espacio (superficie) mínimo a calefactonar teniendo un coeficiente medio de conductividad térmica $\lambda=0,5 \text{ W/(m}^2\text{K)}$ de la estancia calentada. Para calentar mayor volumen (superficie) el coeficiente medio de conductividad térmica debe ser $\lambda=0,35 \text{ W/(m}^2\text{K)}$. Altura estandar de la estancia – 2,5m.



Advertencia: para evitar el sobrecalentamiento, no cubra el aparato!



Instrucciones para conservar el medio ambiente

Una vez agotada la vida útil de este producto, no lo tire a la basura doméstica, porque estos electrodomésticos contienen materiales preciosos! Para evitar posibles consecuencias negativas para el entorno y para guardar los recursos, pasa la unidad a un punto de recogida para su posterior reciclado.

CUADRO 2: REQUISITOS DE INFORMACIÓN QUE DEBEN CUMPLIR LOS APARATOS DE CALEFACCIÓN LOCAL ELÉCTRICOS

Identificador(es) del modelo: 1.CN03 050 EIS W; 2.CN03 100 EIS W; 3.CN03 150 EIS W; 4.CN03 200 EIS W; 5.CN03 250 EIS W; 6.CN03 300 EIS W 230V~ 50Hz

Partida	Símbolo	Valor 1	Valor 2	Valor 3	Valor 4	Valor 5	Valor 6	Unidad	Partida	Unidad
Potencia calorífica									Tipo de aportación de calor, únicamente para los aparatos de calefacción local eléctricos de acumulación (seleccione uno)	
Potencia calorífica nominal	P_{nom}	0.50	1.00	1.50	2.00	2.50	3.00	kW	control manual de la carga de calor, con termostato integrado	[no]
Potencia calorífica mínima (indicativa)	P_{min}	0.00	0.00	0.00	0.00	0.00	0.00	kW	control manual de la carga de calor con respuesta a la temperatura interior o exterior	[no]
Potencia calorífica máxima continuada	$P_{max,C}$	0.50	1.00	1.50	2.00	2.50	3.00	kW	control electrónico de la carga de calor con respuesta a la temperatura interior o exterior	[no]
Consumo auxiliar de electricidad									potencia calorífica asistida por ventiladores	[no]
A potencia calorífica nominal	e_{max}	0.43	0.93	1.44	1.91	2.45	2.91	kW	Tipo de control de potencia calorífica/de temperatura interior (seleccione uno)	
A potencia calorífica mínima	e_{min}	0.00	0.00	0.00	0.00	0.00	0.00	kW	potencia calorífica de un solo nivel, sin control de temperatura interior	[no]
En modo de espera	el SB				0.00033			kW	Dos o más niveles manuales, sin control de temperatura interior	[no]
									con control de temperatura interior mediante termostato mecánico	[no]
									con control electrónico de temperatura interior	[no]
									control electrónico de temperatura interior y temporizador diario	[no]
									control electrónico de temperatura interior y temporizador semanal	[sí]
									Otras opciones de control (pueden seleccionarse varias)	
									control de temperatura interior con detección de presencia	[no]
									control de temperatura interior con detección de ventanas abiertas	[no]
									con opción de control a distancia	[no]
									con control de puesta en marcha adaptable	[sí]
									con limitación de tiempo de funcionamiento	[no]
									con sensor de lámpara negra	[no]

TESY Ltd
48 Madara Blvd,
Shumen, 9700,
Bulgaria



Antes de começar a utilizar este aparelho, leia com atenção as instruções e guarde-as para consulta futura. No caso de alteração do proprietário, as instruções de utilização são entregues junto do aparelho.

Obrigado por ter escolhido o aquecedor de parede CN03. É o aparelho ideal que lhe garantirá no inverno um calor confortável no compartimento aquecido de acordo com as suas necessidades. Para assegurar uma vida útil mais longa é preciso cumprir as instruções de utilização e manutenção do aparelho.

MEDIDAS DE PREVENÇÃO E INSTRUÇÕES DE SEGURANÇA:

Crianças menores de 3 anos devem estar longe do aparelho, caso não sejam vigiadas por um adulto.

Crianças de idade entre os 3 anos até aos 8 anos podem só utilizar a tecla Ligar/Desligar do aparelho no caso de aparelho já instalado e pronto para funcionar normalmente e caso sejam vigiadas por um adulto, saibam as instruções de segurança e compreendam os riscos.

Crianças de idade entre os 3 anos até aos 8 anos não devem ligar o aparelho à tomada de corrente, configurar o aparelho, limpá-lo ou executar qualquer manutenção.

Este aparelho pode ser usado por determinados grupos de pessoas, incluindo crianças maiores de 8 anos e pessoas com capacidades físicas, sensoriais e mentais reduzidas, pessoas pouco experimentadas ou com poucos conhecimentos, exceto quando supervisionadas ou tenham recebido instruções quanto à utilização do aparelho em segurança e compreendem os perigos. As crianças não devem brincar com o aparelho. A limpeza e a manutenção não devem ser efetuadas por pessoas não vigiadas



Algumas partes da unidade podem ficar muito quentes e causar queimaduras. Nunca deixe crianças e pessoas vulneráveis sem vigilância.

- Antes de ligar o aparelho – verifique se a voltagem indicada na placa geral corresponde à voltagem na sua casa.
- Este aparelho destina-se apenas ao fim para o qual foi concebido, i.e. aquecer compartimentos de habitação. O aparelho não se destina a ser utilizado em estabelecimentos comerciais. É considerada indevida e, por conseguinte perigosa, qualquer utilização para fins para os quais o aparelho não foi concebido. O fabricante não assume qualquer responsabilidade por danos devidos a uso incorreto ou insensato. O incumprimento das informações de segurança invalida a garantia do aparelho!
- Não saia da casa deixando o aparelho ligado: certifique-se de que a chave está em posição desligada (no caso de painel aquecedor com comando mecânico).
- Mantenha a uma distância pelo menos de 100 cm do painel aquecedor todos os objetos inflamáveis, tais como móveis, almofadas, roupa de cama, papel, roupa, cortinados, etc.
- Não utilize o aparelho em sítios onde são utilizadas ou conservadas substâncias inflamáveis (por exemplo: próximo a gases ou aerossóis inflamáveis) – existe muito grande perigo de explosão ou incêndio!
- Tenha cuidado a não deixar objetos pequenos entrarem pelas grelhas de entrada e saída de ar, porque isto pode causar um choque elétrico, incêndio ou dano do painel aquecedor.
- O aparelho destina-se apenas a uso doméstico e não é adequado para 1°Cais onde se criam animais!
- Não cubra as grades de proteção, não bloqueie a entrada ou saída de ar colando o aparelho contra uma

superfície. Todos os objetos devem estar a uma distância pelo menos de 1 metro, frente e lateral, do aparelho.

- O surgimento de bolor e pó no aparelho causa com frequência o sobreaquecimento deste. Limpe regularmente com aspirador as entradas de ar, só depois de ter desligado o aparelho da rede elétrica.
- Nunca toque no aparelho com as mãos molhadas ou húmidas – existe perigo de morte!
- O acesso à tomada deve ser fácil para permitir desligar a ficha a qualquer momento, quando necessário, e o mais rápido possível! Nunca puxe o cabo de alimentação ou o próprio aparelho para o desligar da rede elétrica.
- Preste atenção! O ar de saída fica aquecido durante o funcionamento do aparelho (a mais de 100°C).
- Se o cabo de alimentação deste aparelho estiver danificado, interrompa a utilização e contate o agente autorizado/vendedor para mais instruções.
- Se decidir não utilizar mais um aparelho deste tipo, recomendamos que o torne inutilizável cortando o cabo, só depois de ter desligado o aparelho da rede. Mais recomendamos que tome todas as medidas de prevenção para garantir a segurança, especialmente das crianças que possam brincar com a unidade (aparelho) inutilizável.
- O aparelho não deve ser colado diretamente debaixo de uma tomada de corrente!
- Atenção: Não utilize este aparelho com dispositivo programador, contador ou qualquer outro dispositivo que o desliga automaticamente, porque se o aparelho estiver coberto ou colado de forma não correta, existe um perigo de incêndio.
- Coloque o cabo de alimentação de forma a não impedir a circulação de pessoas e não ser pisado! Utilize somente extensões aprovadas e apropriadas para o aparelho, i.e. com marcação de conformidade!
- Nunca desloque o aparelho puxando-o pelo cabo bem como não utilize o cabo para movimentar objetos!
- Não dobre o cabo, não o puxe por bordas agudas e não o coloque sobre placas quentes ou fogo aberto!

EMBALAGEM

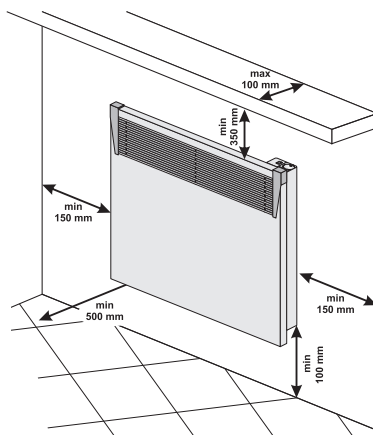
- Depois de desembalar o aparelho verifique se há danos causados durante o transporte e a integridade da embalagem! Caso constate uma avaria ou entrega incompleta, entre em contato com o respetivo vendedor autorizado!
- Não deite ao lixo a caixa original! Pode utilizar a embalagem original para armazenamento e transporte a fim de evitar danos durante o transporte!
- Deite ao lixo o material de embalagem em conformidade com as normas ecológicas! As crianças devem ser vigiadas a não brincarem com os sacos de polietileno!

INSTRUÇÕES DE INSTALAÇÃO

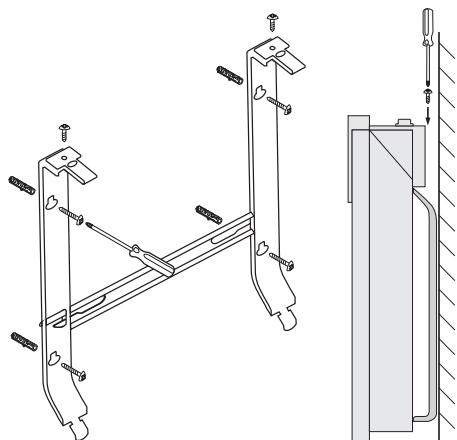
- Este painel aquecedor é projetado para ser utilizado em compartimentos fechados, instalado à parede.

Importante: Em compartimentos com volume acima de 45 m³ é recomendável o uso combinado de 2 ou mais painéis aquecedores.

- Não coloque o painel aquecedor abaixo da tomada de corrente ou caixa de ligação.
- Não instale o painel aquecedor
 1. em sítios onde existe tração para não influenciar às configurações de controlo;
 2. diretamente debaixo de uma tomada de corrente;
 3. em espaço 1 (volume 1) para casas de banho;
 4. em espaço 2 (volume 2), se o painel de controlo pode ser atingido pela pessoa enquanto estiver no duche ou na banheira;
- Para instalar à parede o painel aquecedor devem ser utilizados somente as braçadeiras de parede fornecidas junto com o painel aquecedor. Ao instalar o painel aquecedor devem ser cumpridas as distâncias mínimas do aparelho



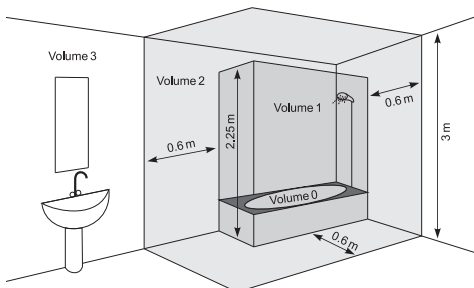
- Primeiro, tire as braçadeiras de parede da parte traseira do aparelho. Desaperte os dois parafusos situados na parte superior dos dois aros verticais das braçadeiras de parede. Depois puxe a parte superior do suporte de parede carregando com força nas duas placas superiores enfiadas na parte traseira.



- Deslize para baixo a braçadeira de parede para a desprender da parte traseira.
- Fixe firmemente a braçadeira à parede através dos quatro buracos existentes para parafusos.
- Levante o painel aquecedor até quase para a posição vertical e enfe as duas partes salientes inferiores das braçadeiras de parede nos dois orifícios inferiores da tampa traseira do painel aquecedor. Depois levante o painel aquecedor e enfe as duas partes salientes superiores das braçadeiras de parede nos dois orifícios superiores da tampa traseira do painel aquecedor. Por fim, coloque novamente os dois parafusos e aperte-os para fixar firmemente o painel aquecedor à parede.

INSTALAÇÃO EM CASA DE BANHO

- O painel aquecedor deve ser instalado de acordo com a prática comercial corrente em conformidade com a legislação vigente do respetivo país (as Diretivas de electricidade da CE e as exigências de instalações especiais ou em I°Cais incluindo casas de banho ou cabines de duche HD60364-7-701 (IEC 60364-7-701:2006)).



- Se o painel aquecedor for utilizado em casa de banho, ou noutro compartimento similar, devem ser cumpridas as seguintes exigências de instalação: o painel aquecedor tem uma proteção IP24 (proteção contra salpicos de água). Tendo em conta tal nível de proteção o aparelho deve ser instalado no espaço 2 (volume 2) (ver o esquema abaixo) para eliminar a possibilidade que o painel de controlo (chave e termorregulador) do painel aquecedor sejam atingido por uma pessoa que esteja no duche ou banheira. A distância mínima do aparelho a uma fonte de água não deve ser inferior a 1 metro e o aparelho deve obrigatoriamente ser instalado na parede! Se não tiver suficientemente preparado para instalar o painel aquecedor na casa de banho, recomendamos que consulte um técnico electricista profissional.

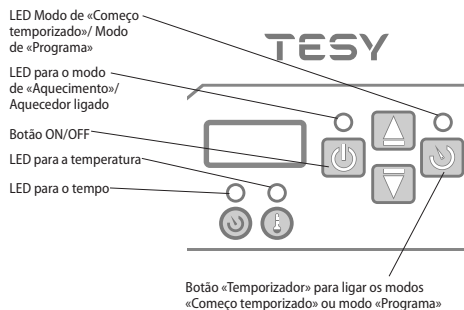
Observação: se as condições acima mencionadas não podem ser cumpridas, recomendamos que efetue a instalação no espaço 3 (VOLUME 3).


- Em compartimentos húmidos (casas de banho e cozinhas) a fonte de alimentação deve ser montada a altura mínima de 25 cm do chão.
- A instalação deve ser munida de um fusível automático em que a distância entre as tomadas deve ser pelo menos de 3 mm, quando este estiver desligado.

INSTRUÇÕES DE UTILIZAÇÃO

COMANDO ELECTRÓNICO

Modos de funcionamento



Ligue o convetor, coloque a chave em posição «I» (Ligado) .

Configurar o relógio

Configurar o relógio é possível somente em modo «desligado» – configura-se o dia corrente da semana, a hora e os minutos.

Para entrar nas configurações do relógio é preciso de carregar simultaneamente por algum momento os botões „ON/OFF” e „Timer”. O parâmetro selecionado a

ser configurado começa a piscar no ecrã. Para selecionar o parâmetro a ser configurado, toque no botão „Timer“. Para sair das configurações toque pela terceira vez no botão „Timer“ (após a configuração dos minutos).

A configuração começa pelo dia da semana de 1 a 7 dependendo do dia corrente da semana e configura-se pelo dígito correspondente. As horas e os minutos aparecem simultaneamente no ecrã piscando somente o parâmetro de configurações. Para alterar o valor do parâmetro é preciso t^oCar nos botões ▲ e ▼.

Se dentro de 10 seg. não carregar num botão sai-se do menu das configurações.

Ligação do modo «Aquecimento»

Quando o convetor de painel estiver desligado no ecrã digital deve aparecer a temperatura ambiental e fica aceso somente o „LED par temperatura“. Ao t^oCar uma vez no botão „On/Off“ passa-se para o modo de „Aquecimento“. Então liga-se o diodo emissor de luz vermelha indicador deste modo. Por alguns 2 segundos no ecrã digital aparece a temperatura configurada e durante este período, „LED para temperatura“ não acende. Se a temperatura ambiental for inferior à temperatura automaticamente configurada, o aquecedor fica aceso.

Quando o aquecedor estiver aceso, o diodo emissor de luz vermelha fica constantemente aceso!

Configurar a temperatura

Ao carregar em algum dos botões ▲ ou ▼ passa-se em modo „Alteração da temperatura configurada“. O ecrã começa a piscar e aparece nele a temperatura atualmente configurada. Com os toques posteriores dos botões fica alterada para a posição desejada. Se dentro de 5 seg. não for carregado um novo botão, a nova configuração col^oCada fica memorizada e passa-se automaticamente em modo „Aquecimento“. Se algum dos botões ▲ ou ▼ ficar pressionado por mais de 0.7 seg., o valor da temperatura configurada começa automaticamente a aumentar ou diminuir com uma vel^oCidade de 4 unidades por segundo. A faixa para regular a temperatura configurada é entre os 10 até 30 graus.

„Começo temporizado“ para a ligação do convetor painel.


Quando o convetor estiver em modo „Desligado“, carregando no botão „Temporizador“ é permitido introduzir o tempo, e a seguir passa-se automaticamente em modo „Aquecimento“. Este modo indica-se com um diodo emissor de luz amarela piscante e um diodo emissor de luz vermelha apagado. No ecrã digital aparecem alternadamente as indicações da temperatura ambiental, quando fica acesa „LED para temperatura“ e o tempo restante em horas até a ligação de „Aquecimento“, quando fica aceso „LED para tempo“. Imediatamente após a ligação deste modo, fica aceso o diodo emissor

de luz amarela, o ecrã começa a piscar mostrando as indicações do tempo introduzido em horas até à ligação do convetor. Inicialmente começa a carregar por 12 horas e carregando nos botões ▲ ou ▼ altera-se o tempo na posição desejada. Se um dos botões ▲ ou ▼ ficar pressionado por mais de 0.7 seg., o valor do tempo começa automaticamente a aumentar ou diminuir com um valor de 4 unidades por segundo. Se dentro de 5 seg. não for carregado um novo botão ou estiver carregado no botão „Temporizador“, o regulador passa a executar o modo de „Começo temporizado“. Se for inserido o tempo 00, o modo não fica executado. Se já estiver executado o modo „Começo temporizado“ e se carregar novamente no botão „Temporizador“, pode ser corrigido o tempo restante nos dois sentidos possíveis. Após a configuração do tempo passa em modo „Começo temporizado“, sendo que no ecrã aparecem além da temperatura as horas restantes até à passagem em modo „Aquecimento“. Deste modo pode sair carregando no botão „On/Off“. Então o convetor passará em modo de „Aquecimento“, „Começo temporizado“ pode ser configurado de 01 a 96 horas.

Desligar o modo „Aquecimento“

Do modo „Aquecimento“ pode sair carregando no botão „On/Off“. Assim o aquecedor fica desligado, se estiver ligado antes, o diodo emissor de luz vermelha fica desligado. No ecrã começa a aparecer a temperatura ambiental.

Função „Anti-congelamento“

Se a temperatura no compartimento ficar inferior a 5 graus e o convetor estiver desligado (não fica acesso o diodo emissor de luz vermelha, mas ligada a chave Mecânica em posição „I“ (Ligado) ) , o aquecedor ficará automaticamente ligado com objetivo de proteção anti-congelamento.




A configuração da correção de temperatura do sensor de temperatura não se refere à esta função.

Ativar e desativar a função:

- a função está ligada por padrão
- se quiser desligar a função – o convetor está em modo „Desligado“, carregando no botão ▲ e no botão „On/Off“ por três segundos – no ecrã começa a piscar „ON“, carregando no botão ▼ chegará à posição „OFF“, aguarde 3 segundos e a função passará automaticamente em modo „OFF“.
- se quiser ativar a função novamente – o convetor está em modo „Desligado“, carregando no botão ▲ e no botão „On/Off“ por três segundos – no ecrã começa a piscar „OFF“, carregando no botão ▼ chegará à posição „ON“, aguarde 3 segundos e a função automaticamente passará em modo „ON“.

Devido à especificidade da temperatura selecionada nos diferentes compartimentos pode haver uma diferença da temperatura indicada no ecrã e da que foi realmente detetada nas diferentes posições do aparelho aquecedor no compartimento.

- Veja a temperatura indicada no ecrã do aparelho
- A temperatura medida no lugar onde a temperatura é suficientemente „confortável“ para si (geralmente a uma altura aproximadamente de 60 cm do chão, de posição sentada). Em caso de diferença constatada na faixa de $\pm 4^{\circ}\text{C}$ pode configurar a correção necessária no menu do convetor (Solução importante – a função pode ser configurada somente após ter chegado à temperatura desejada no compartimento aquecido – conforme o tipo de compartimento o tempo minimamente necessário é de 7 horas) com a diferença obtida entre a indicação do convetor e a temperatura medida.


 **Observação:** esta função usa-se com o objetivo de melhor conforto da temperatura e poupança de energia para o consumidor do convetor elétrico, no compartimento onde se encontra. Uma diferença superior a $\pm 4^{\circ}\text{C}$ da temperatura medida na posição desejada no compartimento, significa que o quarto onde v^oCê usa o convetor não está bem isolado ou quando a temperatura desejada no compartimento ainda não tenha sido atingida.

Exemplo: um convetor col^oCado no compartimento, acima de uma chão de pedra – as indicações do convetor 18oC(em caso de temperatura configurada de 22°C), a temperatura realmente medida (o sensação de que a temperatura confortável foi atingida) 22°C a uma altura do chão de 60cm - > neste caso o convetor continua a sobreaquecer o compartimento (isto significa uma perda direta de energia, mas o convetor não pode atingir a temperatura configurada tendo em conta que está a medir a temperatura de muito baixo no chão) e nunca será desligado. É preciso configurar a correção da temperatura +4°C d sensor– neste caso o convetor indicará 22°C e começará a desligar – mantendo a temperatura configurada 22°C)

A situação normal da função é de 0°C por padrão

- se quiser alterar o valor – o convetor está em modo „Desligado“, carregando no botão ▼ e no botão “On/Off” por três segundos – no ecrã começa a piscar „0°C“ Pode carregar no botão ▼ ou botão ▲ para atingir a faixa „-4°C“ até „4°C“, aguarde 3 segundos e a função ficará salva automaticamente.
- Se quiser verificar qual tipo de correção foi feita – o convetor está em modo „Desligado“, carregando no botão ▼ e botão „On/Off” por três segundos – no ecrã começa a piscar a temperatura configurada.

Pode t^oCar no botão ▼ ou botão ▲ para configurar um novo valor na faixa de „-4°C“ até „4°C“.

 **Observação:** Após a função de restaurar as configurações de fábrica padrão – deve ser configurada uma nova correção da temperatura, o valor de padrão é de 0°C.


Começo adaptado

- *controlo de começo adaptado significa uma função que indica e inicia o começo melhor de aquecimento para ser atingida a temperatura configurada no tempo desejado*
- *função está ligada por padrão*
- *se quiser alterar o valor – o convetor está em modo „Desligado“, carregando no botão „▲“ e botão “Timer” por três segundos – no ecrã começa a piscar „A_On“, deve carregar em „▼“ para atingir o „AOFF“, aguarde 3 segundos e a função ficará salva automaticamente.*
- Para voltar de novo na opção „ON“ – o convetor está em modo „Desligado“, carregando no botão ▲ e botão „Timer” por três segundos – no ecrã começa a piscar „AOFF“, deve carregar em ▼, para atingir „A_On“, aguarde 3 segundos e a função ficará salva automaticamente.


Esta função deve ser configurada conforme as suas necessidades. O aparelho deve funcionar de acordo com a temperatura configurada de „conforto” até atingir um estado estável 17 horas – esta temperatura é temperatura confortável de referência. Deve ser configurado ao mesmo tempo um período de temperatura mais baixa por um mínimo de 7 horas, da que foi configurada como confortável com uma diferença de $4^{\circ}\text{C} \pm 1^{\circ}\text{C}$. No caso de gestão adaptada ativada - deixe o termorregulador elétrico do aparelho a trabalhar durante 4 ciclos (4 x 24 horas) de ciclos de conforto (17 horas) e temperatura baixa (7 horas). Após o término do último período de redução, a temperatura de conforto deve ser atingida dentro dos ± 30 minutos de desvio para com o tempo configurado – com uma diferença máxima de $\pm 1^{\circ}\text{C}$ da temperatura confortável de referência.

“Proteção para crianças”

Pode bloquear os botões toque simultaneamente mantendo as setas ▼ e „Temporizador”, para evitar uma alteração indesejada das configurações. Repita exatamente as mesmas ações para desbloquear os botões.

 **Observação:** Quando o teclado estiver bloqueado e carregar em algum dos botões, no ecrã deve aparecer a mensagem „LOC_”

Configurações no „Programador semanal 24/7”

 **Entrada em modo configurações do „Programador semanal” é possível só se o aparelho tiver hora e dia da semana configuradas.**

Entrar em modo «configurações» e sair dele se faz carregando mantendo o botão „Timer”.

Os parâmetros de configuração são três – dia da semana, hora e temperatura configurada, alternando os três parâmetros mediante um breve toque no botão „Timer” na sequência dia, hora, temperatura. O registo faz-se por um breve toque no botão „Timer”, logo após ter configurado o último parâmetro - temperatura.

Para alterar o valor de cada parâmetro use os botões ▲ e ▼.

Condições para o registo

- Após o registo de um ponto não é possível alterar até ao aparecimento da configuração corrente.
- Ao registar o primeiro ponto de controlo de um determinado dia da configuração corrente, todos os pontos do dia são previamente limpos.
- O registo dos pontos seguintes em dado momento é possível somente nas horas até ao fim do dia após o último ponto registado.
- Ao registar na última hora do dia – 23.5h, nesse dia não podem ser feitos mais registos na configuração corrente e no ecrã aparece a mensagem FUL e o número do dia.
- Se num dia não foram feitos registos na configuração corrente, então nele ficam guardados os registos existentes até à configuração corrente.


O objetivo das configurações é inscrever os três parâmetros nos assim chamados pontos de controlo (SET POINTS), sendo a temperatura configurada em cada ponto de controlo é mantida até ao próximo ponto.

Por exemplo: Se num dia a $v^{\circ}\text{C}$ fizer um registo para as 7 horas com temperatura de 22°C , e quiser que ela fique a mesma até às 19 horas (então está planejando de ficar 23°C), não é necessário memorizar uma por uma até às 19 horas por cada hora, e será preciso memorizar a temperatura de 22°C às 7 horas e a temperatura de 23°C às 19 horas. Por padrão neste período (7-19 horas) de tempo a temperatura ficará 22°C .

O mecanismo de registo de cada ponto é o seguinte:

Após a entrada nas configurações no ecrã aparecerá dAY1, começando o dígito a pulsar, o que significa que este é o parâmetro (neste caso um dia da semana).

- Com os botões ▲ e ▼ selecionar o dia preferido
- Com um breve toque no botão „Timer” passa-se à configuração da hora
- Com os botões ▲ e ▼ selecionar a hora preferida (com distância de 0,5h) de ponto
- Com um breve toque do botão „Timer” passa-se à configuração da temperatura
- Com os botões ▲ e ▼ selecionar a temperatura preferida. As temperaturas possíveis são de 10 a 30°C e posição desligada OFF.
- Com um breve toque do botão „Timer” faz-se a inscrição do ponto e passa-se para à configuração do ponto seguinte (no ecrã aparece novamente dAYX) e volta-se ao parágrafo a/ para que seja configurado o ponto seguinte.
- No caso de registo na última hora do dia – 23.5h, neste dia mais inscrições não podem ser feitas na configuração corrente e no ecrã aparece FUL_ e o número do dia.

 **IMPORTANTE:** Os pontos de um determinado dia podem ser inscritos somente em ordem acrescente das horas.



Informação: Antes de executar os passos do parágrafo f) o operador pode voltar para trás até ao parágrafo a) a fim de corrigir os três parâmetros do ponto com um breve toque no botão ON/OFF, sem executar um registo na memória.

A inclusão de pontos num determinado dia pode ser feita de forma aleatória, após o registo de pontos em outros dias, mas somente observando a regra da ordem ascendente das horas do dia.

O aparecimento das configurações é feito por um toque prolongado do botão „Timer” ou aguardar 30 segundos.

Após o aparecimento das configurações é possível consultar os pontos registados, através os botões ▲ e ▼, se o dispositivo estiver em modo de programa.



Observação: Ao ser ligado, o aparelho passa em modo (aquecimento ou programação), em que estava pela última vez.



Observação: A passagem entre os modos de funcionamento (aquecimento ou programação), por um breve toque no botão Timer em situação ligada.

Função „Zerar” para as configurações de fábrica

Quando o convetor estiver em modo „Desligado”, carrega-se simultaneamente no botão ▲ e no botão ▼ por seis segundos – depois no ecrã começa a piscar „_ _ _” e os símbolos passar a rodar. Quando ficar „Zerado” no ecrã aparecerá o valor medido da temperatura ambiental.

PT Após ter usado a função «zerar», deve configurar novamente as funções abaixo:

- configurar o relógio
- configurar o valor de correção da temperatura (se precisar)
- desativar a função Modo anti-congelamento (se precisar)
- desativar o começo adaptado (se precisar)
- programa semanal - 24/7

Se o convetor elétrico for desligado da rede de alimentação isto não alterará a temperatura configurada e o modo de funcionamento que ficou gravado antes do desligamento. Se por exemplo o aparelho tiver sido em modo „**Aquecimento**“, ao desligar o aparelho e logo após ter sido desligado, entrará de novo no modo com a mesma temperatura configurada.



O princípio que se encontra integrado no convetor elétrico com a memória não dependente de energia é de conservar as configurações garantido até aos 90 minutos e sem garantia até 150 minutos.

Quando a temperatura no compartimento for inferior daquela que foi configurada mediante o termorregulador eletrónico, o convetor começa o seu trabalho e funcionará até ao momento em que a temperatura no compartimento atingirá o valor configurado. Quando a temperatura no compartimento ficar superior ao valor configurado com o termorregulador, o convetor automaticamente passará em modo de prontidão „Stand-by“.

Informação que aparece no ecrã

Indicadores da indicação fora de configuração:

- Em modo desligado – indicação sucessiva de:*
 - relógio (hora e minutos)
 - temperatura ambiental medida
- Em modo de aquecimento – indica a temperatura ambiental medida*
- Em regime de programação – indicação sucessiva de:*
 - Dia da semana traço inferior e temperatura medida. 6_22
 - Dia da semana traço inferior e pulsante a temperatura configurada no programa (configuração da hora corrente), que pode ser o símbolo OFF. 6_23
- Ao ligar a alimentação do convetor, no ecrã aparecem:*
 - tracinhos „----“, se no momento em que a alimentação foi desligada, ele estivesse em posição desligada.

- tracinhos „----“, que passados 2 segundos ficam alterados com a indicação da temperatura atual se ao desligar a alimentação ele estivesse ligado.
- e. *Dois dígitos (01÷96) em combinação com piscar do diodo emissor de luz amarela, que indicam o tempo restante em horas até ao começo temporizado, se no momento em que a alimentação foi desligada o convetor estivesse em modo de „Começo temporizado“.*
- f. *A fim de economia complementar de energia elétrica, termorregulador eletrónico reduz o brilho da luz de todos os indicadores. Ao t“Car num botão aleatório, o brilho aumenta em 8 segundos, e logo depois reduz novamente.*
- g. *Se no ecrã aparecer „t0“ ou „t1“ isto significa que o sistema de autodiagnóstico detetou um problema no sensor da temperatura. „t0“ é no caso de cabo interrompido do sensor, no entanto o „t1“ indica um sensor com curto-circuito. Neste caso o convetor elétrico desligará e a religação dele, será possível eliminar o defeito. A avaria deve ser reparada por um técnico habilitado.*
- h. *Ao ligar a alimentação dentro de 2 segundos no ecrã aparecerão os tracinhos „----“ em vez de temperatura ou tempo.*
- i. *Quando no ecrã digital aparecer a temperatura, fica aceso „LED para temperatura“, quando aparece o tempo de começo temporizado, fica aceso „LED para tempo“.*

PROTEÇÃO

- O aparelho é munido com um termóstato de segurança que automaticamente desliga o aquecedor nos casos de aumento da temperatura no painel aquecedor acima dos valores admissíveis /o chamado sobreaquecimento do aparelho/.
- O termóstato de segurança automático restabelece o funcionamento do painel aquecedor, só quando a temperatura do aparelho ficar abaixo dos valores limites admissíveis.

LIMPEZA

- É obrigatório desligar o aparelho da chave e puxar a ficha da tomada na parede. Antes de começar a limpar o painel aquecedor deixe-o arrefecer, desligando-o da tomada
- O painel aquecedor pode ser limpo com esforços mínimos na parte traseira – simplesmente carregue nas braçadeiras em forma de «P» /fig. 2/ na parte traseira do aparelho, o que lhe permite libertá-lo e respetivamente limpar a sua parte traseira.
- Limpe o corpo com toalha molhada, aspirador ou escova.

- Nunca coloque o aparelho em água – existe perigo de morte devido a choque elétrico!
- Nunca utilize gasolina, dissolvente ou produtos abrasivos de limpeza porque estes podem danificar a cobertura do aparelho.

ARMAZENAMENTO

- Antes de armazenar o painel aquecedor, deixe-o arrefecer desligando-o da tomada
- Utilize a embalagem original para armazenamento do painel aquecedor se o mesmo não será utilizado por determinado período longo. Guarde o produto na embalagem original para o proteger de pó e sujidade.
- Nunca guarde o aparelho quente na embalagem!
- É necessário conservar o produto em lugar seco e protegido contra os raios solares diretos.
- É expressamente vedado conserva-lo em compartimentos húmidos ou molhados.

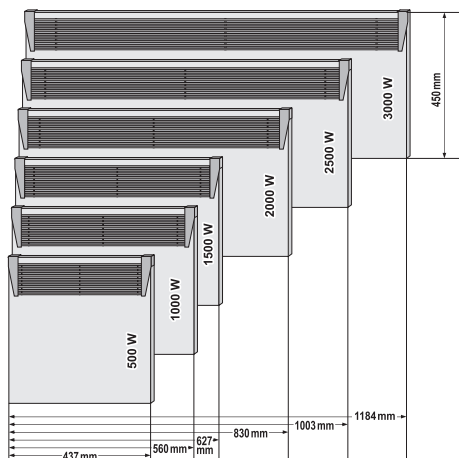
ASSISTÊNCIA TÉCNICA

- Em caso de mau funcionamento ou falha do aparelho, por favor entre em contato com a oficina autorizada mais próxima. /No certificado de garantia do produto figura a lista das oficinas autorizadas/.
- Importante: Em caso de reclamação e/ou violação dos seus direitos como consumidor, por favor entre em contato com o seu fornecedor do presente aparelho comunicando aos endereços indicados ou através da página de Internet da empresa: www.tesy.com

DIMENSÕES DO APARELHO, VOLUME AQUECIDO E ÁREA AQUECIDA POR COMPARTIMENTO

Modelo	Volume aquecido	Área aquecida
CN 03 050 EIS W - 500W	10* - 15 m ³	4* - 6 m ²
CN 03 100 EIS W - 1000W	20* - 30 m ³	8* - 12 m ²
CN 03 150 EIS W - 1500W	30* - 45 m ³	12* - 18 m ²
CN 03 200 EIS W - 2000W	40* - 60 m ³	16* - 24 m ²
CN 03 250 EIS W - 2500W	50* - 70 m ³	20* - 28 m ²
CN 03 300 EIS W - 3000W	60* - 80 m ³	24* - 32 m ²

* Volume/área aquecido mínimo garantido para aquecimento em coeficiente médio de condutividade térmica $\lambda=0.5 \text{ W/(m}^2\text{K)}$ para o compartimento aquecido. Os valores mais altos para o volume/área aquecido atingem-se em valor médio de $\lambda=0.35 \text{ W/(m}^2\text{K)}$. Altura padrão dos compartimentos – 2.5 metros.



Atenção: não cubra o aparelho para evitar sobreaquecimento!



Indicações para a proteção do meio ambiente

Os velhos eletrodomésticos contêm materiais valiosos e por isso não devem ser despejados junto ao lixo urbano! Solicitamos a sua colaboração para contribuir na preservação dos recursos e do meio ambiente entregando o aparelho nos postos de entrega e recolha organizados (se houver).

QUADRO 2: REQUISITOS DE INFORMAÇÃO PARA AQUECEDORES DE AMBIENTE LOCAL ELÉTRICOS

Modelio žymuo (-enys): 1.CN03 050 EIS W; 2.CN03 100 EIS W; 3.CN03 150 EIS W; 4.CN03 200 EIS W; 5.CN03 250 EIS W; 6.CN03 300 EIS W 230V~ 50Hz

Elemento	Símbolo	Valor 1	Valor 2	Valor 3	Valor 4	Valor 5	Valor 6	Unidade	Elemento	Unidade
Potência calorífica									Tipo de potência calorífica, apenas para os aquecedores de ambiente local elétricos de acumulação (selecionar uma opção)	
Potência calorífica nominal	P_{nom}	0.50	1.00	1.50	2.00	2.50	3.00	kW	Comando manual da carga térmica, com termostato integrado	[não]
Potência calorífica mínima (indicativa)	P_{min}	0.00	0.00	0.00	0.00	0.00	0.00	kW	Comando manual da carga térmica, com retroação da temperatura interior e/ou exterior	[não]
Potência calorífica contínua máxima	$P_{max,C}$	0.50	1.00	1.50	2.00	2.50	3.00	kW	Comando eletrónico da carga térmica, com retroação da temperatura interior e/ou exterior	[não]
Consumo de eletricidade auxiliar									Potência calorífica com ventilador	[não]
À potência calorífica nominal	$e_{l,max}$	0.43	0.93	1.44	1.91	2.45	2.91	kW	Tipo de potência calorífica/comando da temperatura interior (selecionar uma opção)	
À potência calorífica mínima	$e_{l,min}$	0.00	0.00	0.00	0.00	0.00	0.00	kW	Potência calorífica numa fase única, sem comando da temperatura interior	[não]
Em estado de vigília	$e_{l,SB}$				0.00033			kW	Em duas ou mais fases manuais, sem comando da temperatura interior	[não]
									Com comando da temperatura interior por termostato mecânico	[não]
									Com comando eletrónico da temperatura interior	[não]
									Com comando eletrónico da temperatura interior e temporizador diário	[não]
									Com comando eletrónico da temperatura interior e temporizador semanal	[sim]
									Outras opções de comando (seleção múltipla possível)	
									Comando da temperatura interior, com deteção de presença	[não]
									Comando da temperatura interior, com deteção de janelas abertas	[não]
									Com opção de comando à distância	[não]
									Com comando de arranque adaptativo	[sim]
									Com limitação do tempo de funcionamento	[não]
									Com sensor de corpo negro	[não]

TESY Ltd
48 Madara Blvd,
Shumen, 9700,
Bulgaria



Lesen Sie die vorliegenden Bedienungsanleitungen, bevor Sie das Gerät verwenden und bewahren Sie diese für einen zukünftigen Gebrauch auf. Beim Wechsel des Inhabers ist die Bedienungsanleitung zusammen mit dem Gerät zu übergeben.

Vielen Dank, dass Sie den Konvektor CN03 ausgewählt haben. Das ist ein Produkt, das Heizung im Winter in Abhängigkeit von den Bedürfnissen des Verbrauchers nach Erzielen komfortabler Wärme im beheizten Raum anbietet. Bei sachgemäßen Betrieb und Pflege, wie in dieser Bedienungsanleitung beschrieben ist, wird das Gerät Ihnen ein langjähriges Funktionieren sichern.

WICHTIGE SICHERHEITSMASSNAHMEN UND SICHERHEITSANWEISUNGEN:



Kinder unter 3 Jahren müssen mit Abstand vom Gerät gehalten werden, außer wenn dieselben ständig beaufsichtigt sind.

Kinder im Alter von 3 bis 8 Jahren dürfen nur den Druckknopf Einschalten/Ausschalten des Gerätes unter der Bedingung benutzen, dass das Gerät montiert ist und bereit für normalen Betrieb ist und die Kinder unter ständiger Kontrolle stehen und ihnen Hinweise auf seinen Gebrauch auf geschützte Weise gegeben sind und sie völlig die damit verbundenen Gefahren verstanden haben.

Kinder im Alter von 3 bis 8 Jahren dürfen das Gerät an die Steckdose nicht anschließen, es einstellen, reinigen oder eine Wartung durchführen.

Dieses Gerät darf von Kindern im Alter über 8 Jahren und Personen mit eingeschränkten physischen, sensorischen oder geistigen Fähigkeiten oder mangels Erfahrung und Wissens benutzt werden, wenn man sie beaufsichtigt oder ihnen Anweisungen auf die gefahrlose Verwendung des Gerätes gegeben hat und sie damit verbundenen Gefahren verstehen! Die Kinder müssen mit dem Gerät nicht spielen. Die Reinigung und die Wartung soll von Kindern ohne Kontrolle nicht erfolgen.



Einige Teile dieses Produktes können sehr heiß werden und Verbrennungen verursachen. An diesen Orten, wo es Kinder und gefährdete Personen gibt, soll spezielle Aufmerksamkeit geweckt werden.

- Bevor Sie das Gerät an das Stromnetz anschließen, überprüfen Sie bitte, ob die auf dem Typenschild angegebene Spannung der in Ihrer Wohnung angetriebenen Stromspannung entspricht.
- Das Gerät ist nur für den Zweck zu verwenden, für den es vorgesehen ist, d.h. Wohnräume zu beheizen. Das Gerät ist nicht für den gewerblichen Gebrauch geeignet. Jede andere Verwendung wird für unsachgemäß und daher gefährlich gehalten. Der Hersteller trägt die Verantwortung für Schäden nicht, die durch eine unsachgemäße und unvernünftige Verwendung entstanden sind. Die Nichtbeachtung der sicherheitsrelevanten Information wird für das Gerät übernommene Garantie ungültig machen!
- Verlassen Sie Ihr Haus nicht, wenn das Gerät eingeschaltet ist: überzeugen Sie sich, dass der Druckknopf in der Stellung „Ausgeschaltet“ ist (dies bezieht sich auf den Konvektor mit mechanischem Betrieb).
- Halten Sie entzündliche Gegenstände wie Möbeln, Kissen, Bettwäsche, Papier, Kleidung, Gardinen usw. mit Abstand von 100cm vom Konvektor entfernt.
- Verwenden Sie das Gerät nicht, wo entzündliche Stoffe gebraucht oder aufbewahrt sind (z.B.: in der Nähe von entzündlichen Gasen oder Aerosolen) – es entsteht eine sehr hohe Gefahr von Explosion und Feuer!
- Stecken Sie Fremdkörper nicht und erlauben Sie Fremdkörper in die Lüftungsöffnungen (eingehende oder ausgehende) nicht zu geraten, weil dies Stromausfall, Feuer oder Schäden im Konvektor verursachen kann.

- Das Gerät ist nicht für den gewerblichen Gebrauch geeignet, sondern nur für den privaten Gebrauch!
- Decken Sie die Schutzgitter und beschränken Sie den Luftstrom zum und vom ausgehenden und ankommenden Schutzgitter nicht ab. Montieren Sie das Gerät gegen irgendwelche Oberfläche nicht. Alle Gegenstände müssen mit Abstand von 1 Meter vom Gerät vorne und seitlich sein.
- Am häufigsten liegt die Ursache für das Überhitzen des Gerätes im Ansammeln von Flaum und Staub im Gerät. Reinigen Sie die Lüftungsöffnungen mit dem Staubsauger regelmäßig, indem Sie verbindlich das Gerät aus dem Stromnetz trennen-.
- Berühren Sie niemals das Gerät mit nassen oder feuchten Händen – es entsteht eine Lebensgefahr!
- Die Steckdose muss jederzeit leicht zugänglich sein, damit der Stecker notfalls schnellst wie möglich gezogen wird! Ziehen Sie den Stromkabel niemals oder das Gerät beim Ausschalten vom Stromnetz!
- Richten Sie Ihre Aufmerksamkeit darauf, dass die ausgehende Luft während des Betriebes (bis mehr als 100°C) erhitzt wird!
- Wenn das Netzkabel dieses Gerätes beschädigt ist, brechen Sie seinen Betrieb ab und treten Sie in Kontakt mit dem Lieferanten/ Verkäufer für zusätzliche Anweisungen.
- Wenn Sie sich dafür entscheiden, ein Gerät von diesem Typ nicht mehr zu verwenden, ist es empfehlenswert, das Gerät durch das Schneiden des Netzkabels unverwendbar zu machen, nachdem Sie es aus dem Stromnetz ausgeschaltet haben. Es wird stark empfohlen, dass jede weitere Risiken, die durch das Gerät entstehen können, abgesichert werden, insbesondere wenn Kinder die amortisierte Anlage (das Gerät) als Spielzeug verwenden können.
- Das Gerät ist nicht unter der Steckerschachtel unmittelbar zu stellen!
- Vorsicht: Gebrauchen Sie dieses Gerät mit Programmer, Zähler oder einem anderen Gerät, das es automatisch einschaltet, denn wenn das Gerät abgedeckt ist oder falsch montiert ist, eine Brandgefahr entsteht.
- Legen Sie das Netzkabel, sodass es die Bewegung der Menschen nicht stört und es nicht darauf getreten wird. Verwenden Sie nur geeignete Verlängerungskabel, die für das Gerät geeignet sind, d.h. sie verfügen über ein Genehmigungszeichen!
- Stellen Sie das Gerät nicht um, indem Sie es für das Netzkabel ziehen und gebrauchten Sie das Netzkabel für Umstellung von Geräten nicht!
- Brechen Sie das Netzkabel nicht ab und ziehen Sie es durch scharfe Ränder nicht! Stellen Sie es auf heiße Platten oder offenes Feuer nicht!

VERPACKUNG

- Nach dem Auspacken des Gerätes überprüfen Sie, ob es während des Transportierens nicht beschädigt und ob es komplett verpackt worden ist. Im Falle, dass ein Schaden oder unkomplette Anlieferung festgestellt wird, treten Sie in Kontakt mit Ihrem bevollmächtigten Verkäufer!
- Schmeißen Sie den originellen Karton nicht weg! Er könnte für Aufbewahrung und Transportieren gebraucht werden, um Schäden beim Transportieren vermieden zu werden!
- Das Aufräumen des Verpackungsmaterials muss auf geeignete Weise erfolgen! Die Kinder müssen davor geschützt werden, um mit den Polybeuteln nicht zu spielen!

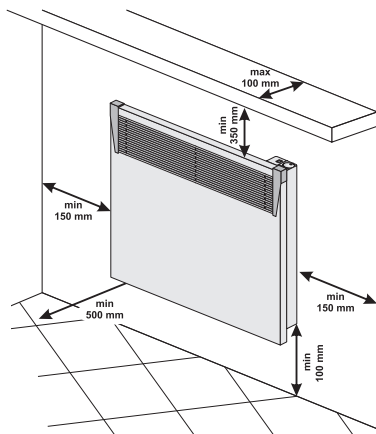
MONTAGANANWEISUNGEN

- Dieser Konvektor ist für den Gebrauch in Wohnräumen und Montage an der Wand entworfen.



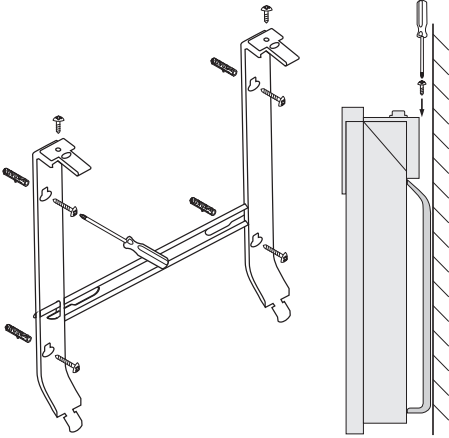
Wichtig: Bei Wohnräumen mit Volumen über 45 m³ ist der Gebrauch in Kombination mit 2 und mehreren Konvektoren gestattet.

- Stellen Sie den Konvektor nicht unter Steckdose oder bindender Schachtel.
- Montieren Sie/ Gebrauchen Sie den Konvektor nicht
 1. an Stellen, wo es Zugkraft gibt, damit eine Bewirkung auf die Kontrolleinstellungen vermieden wird
 2. unmittelbar unter einer Steckdose;
 3. im Raum 1 (volume 1) für Badezimmer;
 4. im Raum 2 (volume 2), wenn die Kontrolltafel von Menschen nicht erreicht werden kann, der unter der Dusche oder in der Badewanne ist;
- Beim Montieren des Konvektors an der Wand sollen nur die Wandhalterungen benutzt werden, die zusammen mit dem Konvektor angeliefert sind. Bei der Montage des Konvektors sind die minimalen Abstände vom Gerät einzuhalten



- Zuerst nehmen Sie die Wandhalterungen vom hinteren Gehäuse ab. Schrauben Sie die beiden Schrauben ab, die sich im oberen Teil der beiden vertikalen Schienen

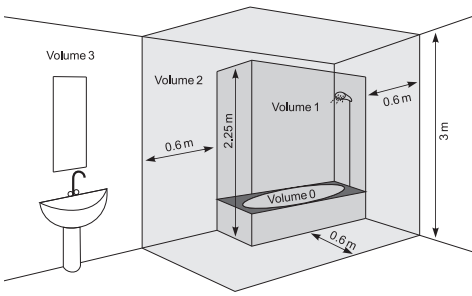
der Wandhalterungen befinden. Danach ziehen Sie den oberen Teil der Schiene, indem Sie die beiden oberen Teile kräftig drücken, die im hinteren Gehäuse gesteckt sind.



- Gleiten Sie nach unten die Wandhalterung, um sie vom hinteren Gehäuse zu trennen.
- Schrauben Sie die Wandhalterung kräftig an die Wand durch die gemachten vier Schraubenlöcher.
- Heben Sie den Konvektor fast bis vertikaler Lage auf und stecken Sie die beiden vorgezogenen Teile der Wandhalterungen in die beiden unteren Schnitte im hinteren Deckel des Konvektors ein. Dann heben Sie den Konvektor auf und stecken Sie die beiden oberen vorgezogenen Teile der Wandhalterungen in die beiden oberen Schnitte im hinteren Deckel des Konvektors ein. Am Ende stellen Sie die beiden Schrauben an ihrem Platz zurück und schrauben Sie diese fest an, um den Konvektor kräftig an die Wand anzuheften.

GEBRAUCH IM BADEZIMMER

- Der Konvektor ist gemäß der normalen Handelspraxis und in Übereinstimmung mit der Gesetzgebung des entsprechenden Landes (den Richtlinien für Elektrizität der Europäischen Union und den Anforderungen für spezielle Montagen oder Stellen, die Badewannen oder Duschkabinen einschließen HD60364-7-701 (IEC 60364-7-701:2006)) zu montieren.



- Wenn dieser Konvektor im Badezimmer oder in einem anderen ähnlichen Raum gebraucht wird, sind die folgenden Anforderungen bei der Montage einzuhalten: Der Konvektor hat eine Schutz IP24 (Schutz vor Wassertropfen). Deswegen ist er im Raum 2 (volume 2) (siehe das Schema unten) zu montieren, damit die Möglichkeit dafür vermieden wird, die Kontrolltafel (Schalter und Thermoregler) des Konvektors von einem Menschen erreicht wird, der unter der Dusche oder in der Badewanne ist! Der minimale Abstand vom Gerät bis der Wasserquelle muss nicht weniger als 1 Meter sein und das Gerät muss verbindlich an der Wand montiert werden. Wenn Sie sich in Bezug auf die Montage dieses Konvektors im Badezimmer nicht sicher sind, empfehlen wir eine Beratung mit qualifiziertem Elektrotechniker.

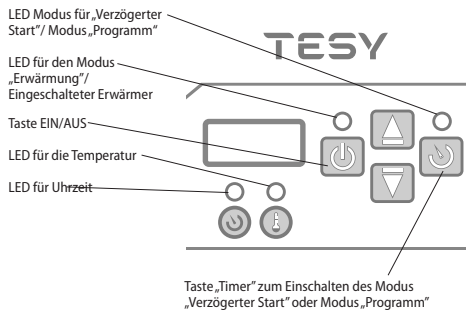
Bemerkung: wenn die oben angegebenen Bedingungen nicht erfüllt sein können, ist die Montage im Raum 3 (VOLUME 3) gestattet.

- In nassen Räumen (Badezimmern und Küchen) muss die Stromversorgungsquelle auf die Höhe min. 25cm vom Boden montiert werden.
- Die Elektroinstallation soll mit automatischer Sicherung versorgt sein, wobei der Abstand zwischen den Steckdosen, wenn es ausgeschaltet ist, min. 3mm sein muss.

BEDIENUNGSANLEITUNG

ELEKTRONISCHE STEUERUNG

Betriebsmodi



Den Konvektor bitte einschalten, die Taste in Position "I" (Eingeschaltet)

Einstellung der Uhrzeit

Die Einstellung der Uhrzeit ist nur in dem Modus „Ausgeschaltet“ möglich – eingestellt werden den aktuellen Tag der W°Che und die Uhrzeit.

Die Einstellung der Uhrzeit erfolgt durch das gleichzeitige Drücken der Tasten „ON/OFF“ und „Timer“. Der Parameter, der eingestellt wird, blinkt auf dem

Display. Die Auswahl des Einstellparameters erfolgt durch kurzes Drücken die Taste „**Timer**“. Das Verlassen der Einstellung erfolgt durch drittes kurzes Drücken die Taste „**Timer**“ (nach Einstellung der Minuten).

Die Einstellung beginnt mit dem Tag der W°Che von 1 bis 7, je nachdem, welcher der aktuelle Tag der W°Che in der Reihe ist und wird durch die entsprechende Ziffer eingestellt. Die Stunden und die Minuten werden gleichzeitig auf dem Display angezeigt, indem nur der Einstellparameter blinkt. Die Änderung des Parameterwertes erfolgt durch die Tasten **▲** und **▼**.

Wenn innerhalb von 10 Sekunden keine Taste gedrückt wird, endet die Einstellung.

Einschalten des Modus „Erwärmung“

Wenn der Panelkonvektor ausgeschaltet ist, muss die Raumtemperatur auf dem digitalen Display angezeigt werden und nur die „LED für die Temperatur“ leuchten. Bei einmaligem Drücken die Taste „**On/Off**“ wechselt sich der Modus auf „**Erwärmung**“. Da schaltet sich die rote LED ein, die diesen Modus kennzeichnet. Für ca. 2 Sekunden wird die eingestellte Temperatur auf dem digitalen Display angezeigt und während dieser Zeitspanne leuchtet die „LED für die Temperatur“ nicht. Falls die Raumtemperatur niedriger als die eingestellte Temperatur ist, schaltet sich der Erwärmer ein.

Wenn der Erwärmer eingeschaltet ist, leuchtet die rote LED ständig!

Einstellung der Temperatur

Durch das Drücken einer der beiden Tasten **▲** oder **▼** wechselt sich der Modus auf „**Änderung der eingestellten Temperatur**“. Die Anzeige beginnt zu blinken und auf dem Display wird die derzeit eingestellte Temperatur angezeigt. Durch das nächste Drücken der Tasten ändert sich die Anzeige in der gewünschten Richtung. Wenn innerhalb von 5 Sekunden eine neue Taste nicht gedrückt wird, wird die neue Anzeige gespeichert und der Modus wechselt sich automatisch auf den Modus „**Erwärmung**“. Wenn eine der Tasten **▲** oder **▼** für mehr als 0,7 Sekunden gehalten wird, beginnt der eingestellte Temperaturwert automatisch um 4 Einheiten pro Sekunde zu erhöhen oder zu senken. Die Einstelltemperaturgrenzen liegen zwischen 10 bis 30 Grad.

„Verzögerter Start“ des Einschaltens des Panelkonvektors.


Wenn sich der Konvektor im Modus „OFF“ befindet, dürfen Sie durch Drücken die Taste „Timer“ eine Zeit eingeben, danach wird automatisch der Modus auf „Erwärmung“ gewechselt. Dieser Modus wird durch blinkende gelbe LED und erloschene rote LED angezeigt. Auf dem digitalen Display wechseln die Anzeigen für die Umgebungstemperatur, wenn die „LED für Temperatur“ leuchtet, und die Restzeit in Stunden bis zum Einschalten des Modus „Erwärmung“,

wenn die „LED für Uhrzeit“ leuchtet. Unmittelbar nach dem Einschalten dieses Modus beginnt die gelbe Lichtdiode zu leuchten und das Display zu blinken, indem die eingegebene Zeit bis zum Einschalten des Konvektors in Stunden anzeigt wird. Zunächst wird die 12. Stunde angezeigt und durch Drücken der Tasten **▲** oder **▼** wird die Uhrzeit in die gewünschte Richtung geändert. Wenn eine der Tasten **▲** oder **▼** für mehr als 0,7 Sekunden gehalten wird, beginnt sich der Zeitwert automatisch mit 4 Einheiten pro Sekunde zu erhöhen oder zu senken. Wenn innerhalb von 5 Sekunden eine neue Taste nicht gedrückt wird oder die Taste „Timer“ gedrückt wird, schaltet der Regler den Modus „Verzögerter Start“ ein. Wenn die Uhrzeit 00 eingegeben wird, wird der Modus nicht ausgeführt. Falls bereits der Modus „Verzögerter Start“ läuft und erneut die Taste „Timer“ gedrückt wird, darf man die Restzeit in den beiden möglichen Richtungen korrigieren. Nach Einstellung der Uhrzeit schaltet sich der Modus „Verzögerter Start“ ein, indem auf dem Display zusammen mit der Temperatur die restlichen Stunden bis zum Einschalten des Modus „Erwärmung“ gezählt werden. Diesen Modus kann man durch Drücken die Taste „**On/Off**“ verlassen. Dann wird der Konvektor in den Modus „Erwärmung“ gewechselt. „Verzögerter Start“ darf man von 01 bis 96 Stunden einstellen.

Ausschalten des Modus „Erwärmung“

Den Modus „Erwärmung“ kann man durch Drücken die Taste „**On/Off**“ verlassen. Dann wird der Erwärmer ausgeschaltet, falls dieser zuvor eingeschaltet ist, und die rote LED erlischt. Auf dem Display wird weiterhin die Raumtemperatur angezeigt.

Funktion „Frostschutz“

Wenn die Raumtemperatur unter 5 Grad sinkt und der Konvektor ausgeschaltet ist (die rote LED leuchtet nicht, aber der mechanische Schalter in Position „I“ (Eigenschaltet)  eingeschaltet ist), schaltet sich der Erwärmer automatisch zwecks Frostschutz ein.



Die Eingabe der Temperaturkorrektur des Temperatursensors gilt nicht für diese Funktion.

Aktivieren und Deaktivieren der Funktion:


- Die Funktion ist standardmäßig aktiviert.
- Wenn Sie die Funktion ausschalten möchten – der Konvektor befindet sich in Modus „Ausgeschaltet“, durch Drücken die Taste **▲** und die Taste „**On/Off**“ drei Sekunden lang – beginnt auf dem Display „ON“ zu blinken, durch Drücken die Taste **▼** werden Sie die Position „OFF“ erreichen, dann bitte 3 Sekunden warten und die Funktion wechselt automatisch in den Modus „OFF“.

- Wenn Sie die Funktion wieder einschalten möchten – der Konvektor befindet sich in dem Modus „Ausgeschaltet“, durch Drücken die Taste ▲ und die Taste „On/Off“ drei Sekunden lang – beginnt auf dem Display „OFF“ zu blinken, durch Drücken die Taste ▼ werden Sie die Position „ON“ erreichen, dann bitte 3 Sekunden warten und die Funktion wechselt automatisch in den Modus „ON“.

Funktion „Temperaturkorrektur des Temperatursensors“

Wegen der Spezifik des Temperaturprofils in den einzelnen Räumen kann Unterscheid von der auf dem Display angezeigten Temperatur und der tatsächlich gemessenen Temperatur in den verschiedenen Stellen des Heizungsgerätes in dem Zimmer vorhanden sein.

- Schauen Sie bitte die Temperatur an, die das Display des Gerätes anzeigt
- Bitte die Temperatur dort messen, wo diese genug „komfortabel“ für Sie ist (in der Regel bei einer Höhe ca. 60 cm vom Boden, in Sitzposition). Bei festgestelltem Unterschied in dem Bereich $\pm 4^{\circ}\text{C}$ können Sie die notwendige Korrektur in dem Menü des Konvektors (wichtige Bedingung – die Funktion kann nur nach dem Erhitzen des beheizten Raumes eingestellt werden – je nach Art des Raumes beträgt die Mindestzeit 7 Stunden) mit der resultierten Differenz zwischen der Konvektoranzeige und der gemessenen Temperatur einstellen.

 **Hinweis:** Diese Funktion wird zwecks besseres Temperaturkomfortes und Energieeinsparung für den Benutzer des elektrischen Konvektors in dem Raum verwendet, wo er sich befindet. Ein größerer Unterschied von $\pm 4^{\circ}\text{C}$ der gemessenen Temperatur in der gewünschten Position in dem Raum bedeutet, dass das Zimmer, wo Sie den Konvektor verwenden, nicht gut isoliert oder nicht gut temperiert ist.


Beispiel: Konvektor in einem Raum über den Steinboden gestellt – Anzeigen des Konvektors 18°C (bei eingestelltem Sollwert 22°C), gemessene tatsächliche Temperatur (Gefühl für erreichte Komforttemperatur) 22°C in einer Höhe von dem Boden 60cm - > in diesem Fall setzt der Konvektor fort, den Raum wieder aufzuwärmen (das ist direkter Energieverlust, aber der Konvektor kann nicht die eingestellte Temperatur erreichen, da er die Temperatur tief neben dem Boden misst) und er wird sich niemals ausschalten. Erforderlich ist die Einstellung der Temperaturkorrektur $+4^{\circ}\text{C}$ auf den Temperatursensor – in diesem Fall wird der Konvektor 22°C anzeigen und fängt an, sich auszuschalten – indem er die eingestellte Temperatur 22°C halten wird.

Der normale Zustand der Funktion ist 0°C standardmäßig

- Wenn Sie den Wert ändern möchten – der Konvektor befindet sich im Modus „Ausgeschaltet“, durch das Drücken die Taste ▼ und die Taste „On/Off“ drei Sekunden lang – beginnt auf dem Display „0°C“ zu

blinken. Sie dürfen die Taste ▼ oder die Taste ▲ drücken, damit den Bereich „ -4°C “ bis „ 4°C “ erreicht wird, dann bitte 3 Sekunden warten und die Funktion wird automatisch beibehalten.

- Wenn Sie überprüfen möchten, welche Korrektur eingestellt ist – der Konvektor befindet sich im Modus „Ausgeschaltet“, durch Drücken die Taste ▼ und die Taste „On/Off“ drei Sekunden lang – beginnt auf dem Display die eingestellte Temperatur zu blinken. Sie dürfen die Taste ▼ oder die Taste ▲ drücken, um einen neuen Wert im Bereich „ -4°C “ bis „ 4°C “ einzugeben.

 **Hinweis:** Nach der Funktion „Werkeinstellung“ muss die Temperaturkorrektur wieder eingestellt werden, der werkseitige Voreinstellung ist 0°C .

Adaptiver Start

- *адаптивен стартов контрол означава функция, Die adaptive Startkontrolle bedeutet Funktion, die den optimalen Beginn der Erwärmung vorhersagt und initiiert, damit die eingestellte Temperatur zur gewünschten Zeit erreicht wird*
- Die Funktion ist standardmäßig aktiviert
- Wenn Sie den Wert ändern möchten – der Konvektor befindet sich im Modus „Ausgeschaltet“, durch das Drücken die Taste „▲“ und die Taste „Timer“ drei Sekunden lang – beginnt auf dem Display „A_On“ zu blinken, Sie müssen dann die Taste „▼“ drücken, um „A_OFF“ zu erreichen, dann bitte 3 Sekunden warten und die Funktion wird automatisch gespeichert.
- Wenn Sie sich wieder in den Zustand „ON“ zurückkehren möchten – der Konvektor befindet sich im Modus „Ausgeschaltet“, durch das Drücken die Taste ▲ und die Taste „Timer“ drei Sekunden lang – beginnt auf dem Display „A_OFF“ zu blinken, Sie müssen die Taste ▼ drücken, um „A_On“ zu erreichen, dann bitte 3 Sekunden warten und die Funktion wird automatisch gespeichert.


Diese Funktion wird Ihren Bedürfnissen nach eingestellt. Das Gerät funktioniert gemäß eingestellter Komforttemperatur bis zum Erreichen eines stabilen Zustandes von 17 Stunden – diese Temperatur ist eine Referenzkomforttemperatur. Man muss auch einen Zeitraum mit niedriger Temperatur für mindestens 7 Stunden einstellen – Temperatur niedriger als diese, die als Komforttemperatur mit Differenz von $4^{\circ}\text{C} \pm 1^{\circ}\text{C}$ eingestellt ist. Bei aktivierter adaptiver Steuerung – lassen Sie bitte den elektronischen Thermostat des Gerätes im Verlauf von 4 Zyklen (4 x 24 Stunden) bei Komfortzyklen (17 Stunden) und reduzierter Temperatur (7 Stunden) funktionieren. Nach Beendigung der letzten Periode der Reduzierung muss die Komforttemperatur innerhalb von ± 30 Minuten Abweichung von der eingestellten Zeit erreicht werden – mit einer maximalen Differenz von $\pm 1^{\circ}\text{C}$ von der Referenzkomforttemperatur.

“Schutz vor Kinder“

Sie können die Tasten durch dauerhaftes gleichzeitiges Drücken der Pfeiltasten ▼ und „Timer“ sperren, um zu verhindern, dass die Einstellungen geändert werden. Bitte dieselbe Handlung wiederholen, um die Tasten zu entsperren.

 **Hinweis:** Wenn das Tastenfeld gesperrt ist und Sie einige Tasten drücken, muss das Display „LOC_“ anzeigen.

Einstellungen in dem „W°Chenprogrammer 24/7“

 Der Einstellmodus „W°Chenprogrammierer“ ist nur dann möglich, wenn bei dem Gerät Uhrzeit und W°Chentag eingestellt sind.

Das Aufrufen des Einstellmodus und sein Beenden erfolgt durch dauerhaftes Drücken die Taste „Timer“.

Die Einstellparameter sind drei – W°Chentag, Uhrzeit und Temperatursollwert, indem das Umschalten der drei Parameter durch kurzes Drücken die Taste „Timer“ in der Reihenfolge W°Chentag, Uhrzeit, Temperatur erfolgt. Die Aufnahme erfolgt durch kurzes Drücken die Taste „Timer“ nach der Einstellung des letzten Parameters – der Temperatur.

Die Änderung des Wertes jedes Parameters erfolgt durch die Tasten ▲ und ▼.

Speicherbedingungen

- Nach Speicherung an einem Punkt kann nichts mehr geändert werden, bis die aktuelle Einstellung beendet wird.
- Beim Speichern des ersten Referenzpunktes eines bestimmten Tages in der aktuellen Einstellung, werden alle Tagespunkte vorher gelöscht.
- Das Speichern der nächsten Punkte an einem bestimmten Tag ist nur in den Stunden bis zum Ende des Tages nach dem letzten gespeicherten Punkt möglich.
- Beim Speichern in der letzten Stunde des Tages – 23.5 Uhr, können an diesem Tag keine Einträge in der aktuellen Einstellung erfolgen und auf dem Display werden „FUL“ und die Tagesnummer angezeigt.
- Falls an einem bestimmten Tag keine Aufnahmen in der aktuellen Einstellung erfolgen, so bleiben die bis zur aktuellen Einstellung vorhandenen Eingaben gespeichert.

Der Zweck der Einstellungen besteht in der Speicherung der drei Parameter in den sogenannten Referenzpunkten (SET POINTS), indem die eingestellte Temperatur an jedem Referenzpunkt bis zum nächsten solchen Punkt ausgeführt wird.


Beispiel: Wenn Sie an einem bestimmten Tag eine Speicherung um 7 Uhr mit Temperatur 22°C gemacht haben, und wünschen, dass dieselbe gleich bis 19 Uhr bleibt (dann planen Sie eine Temperatur 23°C), ist die Speicherung Stunde für Stunde bis 19 Uhr nicht notwendig – Sie müssen nur die Temperatur 22°C um 7 Uhr und die Temperatur 23°C um 19


Uhr speichern. In diesem Zeitraum (7-19 Uhr) beträgt dann die Temperatur 22°C standardmäßig.

Der Mechanismus der Speicherung jedes Punktes ist:

Nach Eingang in den Einstellungen wird auf dem Display dAY1 angezeigt, indem die Ziffer blinkt – dies bedeutet, das der Parameter einstellbar ist (in diesem Fall der W°Chentag).

- Durch die Tasten ▲ und ▼ wird der gewünschte Tag ausgewählt
- Durch kurzes Drücken die Taste „Timer“ wird die Einstellung der Uhrzeit aufgerufen
- Durch die Tasten ▲ und ▼ wird die gewünschte Zeit ausgewählt (mit 0,5h) pro Punkt
- Durch kurzes Drücken die Taste „Timer“ wird die Einstellung zur Eingabe der Temperatur aufgerufen
- Durch die Tasten ▲ und ▼ wird die gewünschte Temperatur ausgewählt. Mögliche Temperaturen von 10 bis 30°C und ausgeschalteter Zustand OFF.
- Durch kurzes Drücken die Taste „Timer“ erfolgt die Speicherung des Punktes und wird die Einstellung des nächsten Punktes aufgerufen (auf dem Display wird wieder dAYX angezeigt) und wird die Einstellung des nächsten Punktes aufgerufen.
- Beim Speichern in der letzten Stunde des Tages – 23.5h, können an diesem Tag keine weitere Eingaben in der aktuellen Einstellung vorgenommen werden und auf dem Display werden die Meldung FUL_ und die Nummer des Tages angezeigt.


 **ACHTUNG:** Die Punkte an einem bestimmten Tag können nur in aufsteigender Reihenfolge der Stunden gespeichert werden.


 **Information:** Vor dem Ausführen des Absatzes f) kann der Bediener zurück bis Absatz a) in Verbindung mit der Korrektur der drei Parameter des Punktes durch kurzes Drücken die Taste ON/OFF gehen, ohne dass eine Speicherung erfolgt.

Die Ergänzung der Punkte an einem bestimmten Tag erfolgt auswahlweise nach Speichern von Punkten an anderen Tagen, aber nur bei Beachtung der Regel für aufsteigende Reihenfolge der Stunden des Tages.

Das Verlassen der Einstellungen erfolgt durch dauerhaftes Drücken die Taste „Timer“ oder 30-Sekunde-Warten.

Nach dem Verlassen der Einstellung ist es möglich, die gespeicherten Punkte durch die Tasten ▲ und ▼ anzuschauen, wenn sich das Gerät im Programmiermodus befindet.

 **Hinweis:** Nach Einschalten wechselt das Gerät in den (Erwärmungs- oder Programmiermodus), in dem man es zuletzt betrieben hat.

 **Hinweis:** Umschalten des Betriebsmodus (Erwärmungs- oder Programmiermodus) erfolgt durch kurzes Drücken die Taste **Timer** bei eingeschaltetem Zustand.


Funktion „Zurücksetzen auf Werkeinstellungen“

Wenn sich der Konvektor im Modus „Ausgeschaltet“ befindet, werden gleichzeitig die Tasten ▲ und ▼ sechs Sekunden lang gedrückt – danach beginnt auf dem Display „_ _ _ _“ zu blinken und die Symbole drehen sich. Wenn das Gerät auf die Werkeinstellungen zurückgesetzt wird, werden Sie auf dem Display den gemessenen Wert der Umgebungstemperatur anschauen.

Nachdem Sie die Funktion für Zurücksetzen der Werteinstellungen genutzt haben, müssen Sie erneut die unterstehenden Funktionen eingeben:

- Einstellung der Uhrzeit
- Einstellung des Wertes zur Korrektur der Temperatur (falls nötig)
- Deaktivieren des Modus „Frostschutz“ (falls nötig)
- Deaktivieren des adaptiven Starts (falls nötig)
- W°Chenprogramm - 24/7

Wenn der elektrische Konvektor vom Stromnetz ausgeschaltet wird, wird dies die eingestellte Temperatur und den Betriebsmodus vor seinem Ausschalten nicht ändern. Zum Beispiel, falls sich der Konvektor im Modus **„Erwärmung“** vor dem Ausschalten des Gerätes befand, wird er sich bei dem Einschalten wieder in diesem Modus mit derselben eingestellten Temperatur befinden.

 Das Prinzip, das in dem elektrischen Konvektor mit stromunabhängigem Speicher zugrunde liegt, besteht in die Speicherung der Einstellungen bis 90 Minuten garantiert und bis 150 Minuten ohne Garantie.

Wenn die Temperatur in dem Raum niedriger als diese Temperatur ist, die Sie durch den elektronischen Thermoregler eingestellt haben, beginnt der Konvektor zu funktionieren und wird bis zum Zeitpunkt in Betrieb sein, wenn die Raumtemperatur den eingestellten Wert erreicht wird. Wenn die Raumtemperatur höher als der durch den Thermoregler eingestellten Wert ist, wird der Konvektor automatisch in den Modus „Bereit zum Einschalten“ umschalten.

Angezeigte Information auf dem Display

Anzeigen der Indikation, wenn wir nicht im Einstellungsmodus sind:

- a. Im Modus „Ausgeschaltet“ – nacheinander werden angezeigt:
 - Uhrzeit (Stunden und Minuten)
 - gemessene Raumtemperatur
- b. Im Erwärmungsmodus – zeigt die gemessene

Raumtemperatur

- c. In dem Programmiermodus – abwechselnde Anzeige:
 - des W°Chentages Unterstrich und die gemessene Temperatur. 6_22
 - des W°Chentages Unterstrich und blinkend die in dem Programm eingestellte Temperatur (Eingabe der aktuellen Stunde), die aber auch das Symbol OFF sein kann. 6_23
- d. Beim Einschalten der Stromversorgung des Konvektors werden auf dem Display angezeigt:
 - Linien „----“, wenn er beim Ausschalten der Stromversorgung ausgeschaltet war.
 - Linien „----“, die nach 2 Sekunden durch eine blinkende Anzeige der momentanen Temperatur ersetzt werden, wenn er beim Ausschalten der Stromversorgung eingeschaltet war.
- e. Zwei Ziffern (01÷96) zusammen mit dem Blinken der gelben LED, die die Restzeit in Stunden bis zum verzögerten Start anzeigen, wenn sich der Konvektor beim Ausschalten der Stromversorgung in dem Modus „Verzögerter Start“ befindet.
- f. Zwecks zusätzlicher Energiesparung reduziert der elektronische Thermoregler die Helligkeit aller Indikatoren. Beim Drücken der beliebigen Taste erhöht sich die Helligkeit für 8 Sekunden und danach wird erneut reduziert.
- g. Wenn auf dem Display „t0“ oder „t1“ angezeigt wird, bedeutet dies, dass das System zur Selbstdiagnostik ein Problem in dem Thermosensor festgestellt hat. „t0“ erscheint beim beschädigten Kabel des Sensors, und „t1“ erscheint bei einem kurzgeschlossenen Sensor. In diesem Fall wird der elektrische Konvektor ausgeschaltet und die Wiederinbetriebnahme ist erst nach Beseitigen des Mangel möglich. Der Mangel ist seitens eines qualifizierten Fachmann zu beseitigen.
- h. Beim Einschalten der Stromversorgung werden bis 2 Sekunden auf dem Display die Linien „----“ anstelle von Temperatur oder Uhrzeit angezeigt.
- i. Wenn auf dem digitalen Display die Temperatur angezeigt wird, leuchtet „LED für Temperatur“. Wenn die Zeit bis zum verzögerten Start angezeigt wird, dann leuchtet die „LED für Uhrzeit“

SCHUTZ

- Das Gerät ist mit Schutzthermoausschalter versorgt, der automatisch den Erhitzer in Fällen der Temperaturerhöhung im Konvektor über die zulässigen Werte /die so genannte Überhitzung des Gerätes/ ausschaltet.
- Der Schutzthermoausschalter wiederherstellt den Betrieb des Konvektors automatisch, erst wenn die Tempartur des Gerätes unter die zulässigen Grenzwerte sinkt.

REINIGUNG

- Verbindlich schalten Sie zuerst das Gerät vom Druckknopf aus und ziehen Sie den Stecker von der Steckdose an der Wand heraus. Bevor Sie mit der Reinigung des Konvektors anfangen, lassen Sie ihn abkühlen, indem Sie ihn aus der Steckdose ausschalten.
- Der Konvektor kann mit minimalen Bemühungen im hinteren Teil gereinigt werden – drücken Sie bitte einfach die „P“-förmigen Wandhalterungen /Abbildung 2/ auf der Rückseite des Gerätes. Auf diese Weise können Sie ihn befreien und dementsprechend seine Rückseite reinigen.
- Reinigen Sie das Gehäuse mit nassem Tuch, Staubsauger oder einer Bürste.
- Tauchen Sie das Gerät in Wasser nie auf – eine Lebensgefahr wegen Stromausfall entsteht!
- Gebrauchen Sie niemals Benzin, Verdünnler oder grobe abrasive Reinigungsmittel, weil sie den Belag des Gerätes beschädigen werden.

AUFBEWAHRUNG

- Bevor Sie den Konvektor aufräumen, lassen Sie ihn kalt werden, indem Sie ihn aus der Steckdose trennen.
- Verwenden Sie bitte die originelle Verpackung zur Aufbewahrung des Konvektors, wenn derselbe einen gewissen Zeitraum nicht gebraucht wird. Auf diese Weise wird das Produkt vor übertriebener Verstaubung und Verunreinigungen geschützt!
- Stecken Sie das heiße Gerät in die Verpackung nie ein!
- Das Produkt ist an einer tr°Ckenen und vor direktem Sonnenlicht geschützten Stelle aufzubewahren.
- Ausdrücklich wird seine Aufbewahrung in feuchten und nassen Räumen verboten!

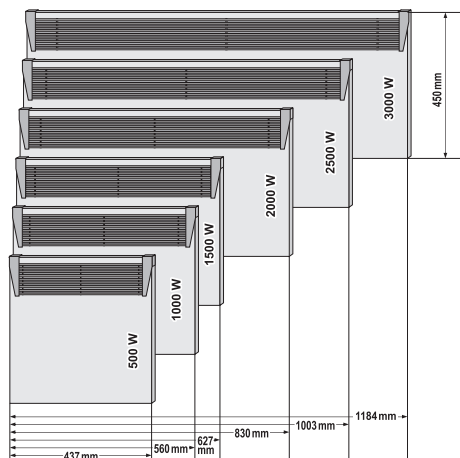
WARTUNG DES GERÄTES DURCH DEN KUNDENDIENST

- Im Falle eines Schadens des Gerätes treten Sie bitte mit dem autorisierten Kundendienst in Ihrer Nähe in Kontakt /die Kundendienste sind in der Garantiekarte des Produktes angegeben/.
- **Wichtig:** Im Falle einer Reklamation und/oder Verletzung Ihrer Rechte als Verbraucher treten Sie bitte mit dem Lieferanten dieses Gerätes in Kontakt an die angegebenen Adressen und auf der Internetseite der Gesellschaft: www.tesy.com

DIMENSIONEN DES GERÄTES, BEHEIZTES RAUMVOLUMEN UND FLÄCHE

Modell	Beheiztes Volumen	Beheizte Fläche
CN 03 050 EIS W - 500W	10* - 15 m ³	4* - 6 m ²
CN 03 100 EIS W - 1000W	20* - 30 m ³	8* - 12 m ²
CN 03 150 EIS W - 1500W	30* - 45 m ³	12* - 18 m ²
CN 03 200 EIS W - 2000W	40* - 60 m ³	16* - 24 m ²
CN 03 250 EIS W - 2500W	50* - 70 m ³	20* - 28 m ²
CN 03 300 EIS W - 3000W	60* - 80 m ³	24* - 32 m ²

* Minimales garantiertes beheiztes Volumen (Fläche) für Heizung bei durchschnittlichem Koeffizient der Wärmeleitfähigkeit $\lambda=0.5 \text{ W/(m}^2\text{K)}$ für den beheizten Raum. Die höheren Werte für beheiztes Volumen (Fläche) werden bei durchschnittlichem Wert der $\lambda=0.35 \text{ W/(m}^2\text{K)}$ erreicht. Standardhöhe der Räume – 2.5 Meter.



Warnung: Decken Sie das Gerät nicht ab, um eine Überhitzung zu vermeiden!



Hinweise für Umweltschutz


Die gebrauchten Elektrogeräte enthalten Wertstoffe, deshalb sind sie nicht mit dem Hausmüll wegzuwerfen! Wir bitten Sie darum, dass Sie Ihren aktiven Beitrag zur Umwelt- und Ressourcenschutz leisten. Stellen Sie den entsprechenden Abfallstellen das gebrauchte Gerät zur Verfügung (wenn solche vorhanden sind).

TABELLE 2: ERFORDERLICHE ANGABEN ZU ELEKTRISCHEN EINZELRAUMHEIZGERÄTEN

Modellkennung(en): 1.CN03 050 EIS W; 2.CN03 100 EIS W; 3.CN03 150 EIS W; 4.CN03 200 EIS W; 5.CN03 250 EIS W; 6.CN03 300 EIS W 230V~ 50Hz


Angabe	Symbol	Wert 1	Wert 2	Wert 3	Wert 4	Wert 5	Wert 6	Einheit	Angabe	Einheit
Wärmeleistung									"Nur bei elektrischen Speicher-Einzelraumheizgeräten: Art der Regelung der Wärmezufuhr (bitte eine Möglichkeit auswählen) "	
Nennwärmeleistung	P_{nom}	0.50	1.00	1.50	2.00	2.50	3.00	kW	manuelle Regelung der Wärmezufuhr mit integriertem Thermostat	[nein]
Mindestwärmeleistung (Richtwert)	P_{min}	0.00	0.00	0.00	0.00	0.00	0.00	kW	manuelle Regelung der Wärmezufuhr mit Rückmeldung der Raum- und/oder Außentemperatur	[nein]
Maximale kontinuierliche Wärmeleistung	$P_{max,C}$	0.50	1.00	1.50	2.00	2.50	0.00	kW	"elektronische Regelung der Wärmezufuhr mit Rückmeldung der Raum- und/oder Außentemperatur "	[nein]
Hilfsstromverbrauch									Wärmeabgabe mit Gebläseunterstützung	[nein]
Bei Nennwärmeleistung	e_{lmax}	0.43	0.93	1.44	1.91	2.45	2.91	kW	"Art der Wärmeleistung/ Raumtemperaturkontrolle (bitte eine Möglichkeit auswählen) "	-
Bei Mindestwärmeleistung	e_{lmin}	0.00	0.00	0.00	0.00	0.00	0.00	kW	einstufige Wärmeleistung, keine Raumtemperaturkontrolle	[nein]
Im Bereitschaftszustand	e_{lSB}				0.00033			kW	zwei oder mehr manuelleinstellbare Stufen, keine Raumtemperaturkontrolle	[nein]
									Raumtemperaturkontrolle mit mechanischem Thermostat	[nein]
									mit elektronischer Raumtemperaturkontrolle	[nein]
									elektronische Raumtemperaturkontrolle und Tageszeitregelung	[nein]
									elektronische Raumtemperaturkontrolle und Wochentagsregelung	[ja]
									Sonstige Regelungsoptionen (Mehrfachnennungen möglich)	[nein]
									Raumtemperaturkontrolle mit Präsenzerkennung	[nein]
									Raumtemperaturkontrolle mit Erkennung offener Fenster	[nein]
									mit Fernbedienungsoption	[nein]
									mit adaptiver Regelung des Heizbeginns	[ja]
									mit Betriebszeitbegrenzung	[nein]
									mit Schwarzkugelsensor	[nein]

TESY Ltd
48 Madara Blvd,
Shumen, 9700,
Bulgaria

 **Leggete le presenti istruzioni prima di usare questo apparecchio e conservate queste indicazioni per ulteriore uso. In caso di cambio del proprietario, l'istruzione per l'uso deve essere consegnata insieme all'apparecchio.**

Vi ringraziamo per aver scelto il convettore CN03. Questo è un prodotto che offre riscaldamento d'inverno in dipendenza alle necessità di ottenere un calore di conforto nel vano riscaldato. Con l'uso e la manutenzione regolare, così come descritti in queste istruzioni, l'apparecchio Vi assicurerà molti anni di funzionamento utile.


PROVVEDIMENTI IMPORTANTI DI PREVENZIONE ED ISTRUZIONI DI SICUREZZA:

 **Bambini sotto i 3 anni devono essere tenuti a distanza, a meno che non siano sotto sorveglianza continua.**

Bambini aventi dai 3 agli 8 anni possono solamente usare l'interruttore acceso/spento dell'apparecchio, a condizione che l'apparecchio sia installato e pronto ad un funzionamento normale e che loro siano osservati ed istruiti riguardo al suo utilizzo in un modo sicuro e che capiscano che questo può essere pericoloso.

Bambini aventi dai 3 agli 8 anni non devono inserire la spina dell'apparecchio nella presa di corrente, impostare l'apparecchio, pulirlo nemmeno fare una manutenzione da consumatori.

Questo apparecchio può essere usato da bambini aventi sopra gli 8 anni e persone con limitate abilità fisiche, sensoriali o mentali, oppure con esperienza e conoscenze scarse, se loro siano sorvegliate o istruite riguardo all'utilizzo sicuro dell'apparecchio e capiscano quali sono i pericoli. I bambini non devono giocare con l'apparecchio. La pulizia e la manutenzione da consumatori non devono essere effettuate da bambini senza sorveglianza.

 **Alcune parti di questo prodotto possono diventare troppo caldi e di prov°Care ustioni. Laddove sono presenti bambini e persone vulnerabili, si deve prestare attenzione particolare.**

- Prima di accendere l'apparecchio – controllate se la tensione indicata sulla targhetta segnaletica corrisponde alla tensione fornita alla Vostra casa.
- Questo apparecchio deve essere usato per lo scopo a cui è previsto, cioè per riscaldare ambienti di vita. L'apparecchio non è destinato a fini commerciali. Qualsiasi altro uso va considerato irregolare e dunque pericoloso. Il produttore non può essere responsabile di guasti provenienti da un utilizzo irregolare ed irragionevole. La mancata osservanza dell'informazione di sicurezza farà invalida la garanzia presa riguardo all'apparecchio!
- Non lasciate la Vostra casa mentre l'apparecchio è acceso: convincetevi che l'interruttore è in posizione "spento" (si tratta di convettore a comando meccanico).
- Tenete gli oggetti infiammabili, come mobili, cuscini, biancheria da letto, carta, vestiti, tende, ecc. a distanza di almeno 100 cm lontano dal convettore.
- Non utilizzate l'apparecchio laddove si usano o conservano materie infiammabili (per esempio: vicino a gas o aerosol infiammabili) – esiste un grandissimo pericolo di esplosione ed incendi!
- Non inserite e non permettete che corpi estranei cadano nelle aperture di ventilazione (sia d'ingresso che d'uscita), perché questo causerà folgorazione, incendio o guasto al convettore.
- L'apparecchio non è adatto all'allevamento di animali ed esso è esclusivamente previsto di essere usato a casa!
- Non coprite le griglie di sicurezza, non bloccate l'entrata neanche l'uscita del flusso d'aria, mettendo

l'apparecchio di fronte ad una certa superficie. Tutti gli oggetti devono essere ad una distanza di almeno 1 metro dall'apparecchio, davanti e di fianco.

- Il motivo più frequente di surriscaldamento è l'accumulo di peli e polvere nell'apparecchio. Pulite regolarmente con aspirapolvere le aperture di ventilazione, staccando obbligatoriamente la spina dell'apparecchio dalla presa di corrente in anticipo.
- Non toccate mai l'apparecchio con mani bagnate o umide – esiste una minaccia per la vita!
- La presa di corrente deve essere accessibile a qualsiasi ora, affinché la spina possa essere staccata in caso di necessità, il più presto possibile! Non tirate mai il cavo di alimentazione neanche l'apparecchio stesso quando lo staccate dalla presa di corrente.
- Fate attenzione! L'aria d'uscita si riscalda durante il funzionamento (fino a più di 100°C).
- In caso che il cavo di alimentazione di questo apparecchio sia danneggiato, sospendete il suo utilizzo e contattate il fornitore/il venditore per istruzioni supplementari.
- Se decidete di smettere di usare un apparecchio di questo tipo, si raccomanda di farlo inutilizzabile, tagliando il cavo dopo averlo staccato dalla presa di corrente. Si raccomanda anche di eliminare tutti i pericoli relativi all'apparecchio, soprattutto per quanto riguarda la sicurezza dei bambini che potrebbero usare il meccanismo ammortizzato (l'apparecchio) per gioco.
- L'apparecchio non deve essere messo direttamente sotto una presa elettrica!
- Attenzione: Non usate questo apparecchio con programmatore, contatore neanche altro dispositivo che lo accende automaticamente perché, se l'apparecchio è coperto oppure è posto irregolarmente esiste un pericolo di incendio.
- Mettete il cavo di alimentazione in modo che non ostacoli il movimento delle persone e che non sia pestato! Usate solamente prolunghe approvate, che sono adatte per l'apparecchio, cioè hanno un segno di conformità!
- Non spostate mai l'apparecchio tirandolo per il cavo, nemmeno usate il cavo per il trasferimento di oggetti!
- Non piegate il cavo e non lo tirate attraverso spigoli acuti, nemmeno lo mettete su lastre calde o a fuoco aperto!

IMBALLAGGIO

- Dopo aver spaccettato l'apparecchio controllate se non sia danneggiato durante il trasporto e se sia completamente attrezzato! In caso che sia constatato un guasto oppure consegna incompleta, contattate il Vostro venditore autorizzato!
- Non buttate via la scatola originale! Essa potrebbe essere utilizzata per conservazione o trasporto,

affinché siano evitati danni causati dal trasporto!

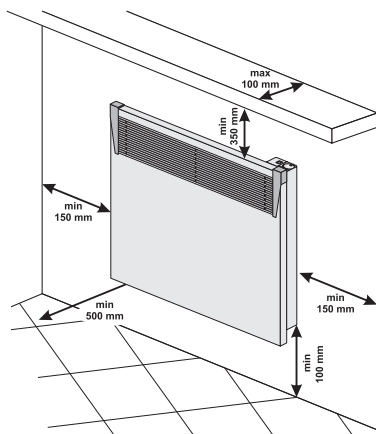
- L'imballaggio deve essere buttato via in modo opportuno! I bambini devono essere sorvegliati per non giocare con le buste in polietilene!

ISTRUZIONE DI MONTAGGIO

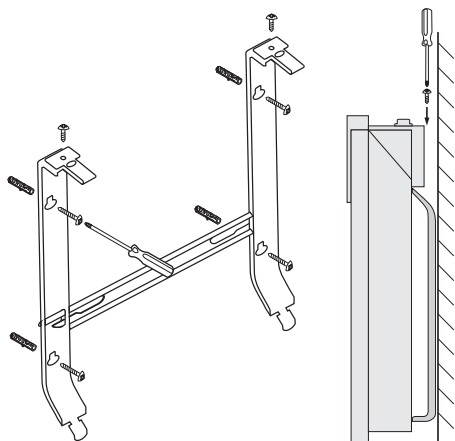
- Questo convettore è destinato all'utilizzo in ambienti chiusi, montato a parete.

Importante: Per gli ambienti con un volume di più di 45 m³ si raccomanda l'utilizzo di una combinazione di 2 o di più convettori.

- Non mettete il convettore sotto una presa elettrica o una scatola di derivazione.
- Non montate/utilizzate il convettore a
 1. in un luogo dove c'è trazione, per non influenzare le impostazioni di controllo;
 2. direttamente sotto una presa elettrica;
 3. in spazio 1 (volume 1) per bagni;
 4. in spazio 2 (volume 2), se il quadro di comando può essere raggiunto da una persona che si trova sotto la doccia oppure nella vasca da bagno;
- Per il montaggio del convettore a parete devono essere utilizzate solamente le staffe da parete fornite insieme al convettore. Durante il montaggio del convettore devono essere osservate le minime distanze dall'apparecchio



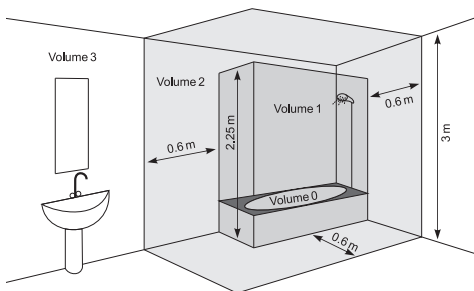
- Prima togliete le staffe da parete dal corpo posteriore. Svitare le due viti che si trovano nella parte superiore delle due cerchie verticali delle staffe da parete. Poi tirate la parte superiore della cerchia premendo fortemente le due parti superiori inserite nel corpo posteriore.



- Spostate in giù la staffa da parete per staccarla dal corpo posteriore.
- Fissate stabilmente alla parete la staffa da parete mediante i quattro buchi fatti per le viti.
- Sollevate il convettore fino ad una posizione quasi verticale ed inserite le due sporgenti parti inferiori delle staffe da parete nelle due fessure inferiori del coperchio posteriore nel convettore. Poi sollevate il convettore ed inserite le due sporgenti pari superiori delle staffe da parete nelle due fessure superiori nel coperchio posteriore del convettore. Alla fine rimettete ai loro posti le due viti e le avvitare, affinché fissate stabilmente il convettore alla parete.

UTILIZZO IN BAGNO

- Il convettore deve essere montato conformemente alla pratica normale commerciale ed in conformità alla legislazione del rispettivo paese (le direttive per l'elettricità della CE ed i requisiti per montaggi o luoghi speciali, compresi bagni, oppure cabine d°Ccia HD60364-7-701 (IEC 60364-7-701:2006)).



- Se questo convettore viene usato in bagno o altro ambiente simile, devono essere osservati i seguenti requisiti per l'installazione: Il convettore ha protezione IP24 (protezione contro spruzzi d'acqua). Per questo

fatto, esso deve essere montato in spazio 2 (volume2) (vedete lo schema di sotto), perché sia evitata la possibilità per il quadro di comando (interruttore e termoregolatore) del convettore di essere raggiunto da una persona che si trova sotto la d°Ccia oppure nella vasca da bagno. La distanza minima dall'apparecchio ad una fonte d'acqua non deve essere di meno di 1 metro e l'apparecchio deve essere obbligatoriamente montato alla parete! Se non siete sicuri riguardo all'installazione di questo apparecchio nell'ambiente del bagno, Vi raccomandiamo di consultarvi con un elettrotecnico professionale.

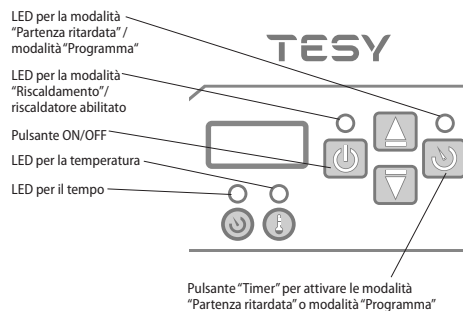
Nota: se le condizioni summenzionate non possono essere osservate, si raccomanda che il montaggio sia eseguito in spazio 3 (VOLUME 3).


- In ambienti umidi (bagni e cucine) la fonte di alimentazione deve essere montata ad un'altezza di almeno 25 cm dal pavimento.
- L'installazione deve essere munita di una sicura automatica, per la quale la distanza fra i contatti quando essa sia spenta deve essere almeno 3mm.

ISTRUZIONE DI UTILIZZO

GESTIONE ELETTRONICA

Regimi di funzionamento



Collegare il term°Convettore, premere l'interruttore nella posizione "I" (ON) .

Impostazione dell'orologio

L'impostazione dell'orologio è possibile soltanto in modalità OFF – viene impostato il giorno corrente della settimana, l'ora e i minuti.

L'accesso all'impostazione dell'orologio avviene premendo a lungo contemporaneamente i pulsanti „ON/OFF” e „Timer”. Il parametro da impostare lampeggia sul display. La selezione del parametro d'impostazione avviene premendo brevemente il pulsante “Timer”. Per uscire dall'impostazione premere brevemente per la terza volta il pulsante “Timer” (dopo aver impostato i minuti).

L'impostazione inizia con il giorno della settimana da uno a sette in base alla sequenza settimanale espressa in numeri, impostando il numero corrispondente al giorno corrente. L'ora e i minuti appaiono contemporaneamente sul display mentre lampeggia solamente il parametro di impostazione. Il valore del parametro va modificato utilizzando i pulsant ▲ e ▼.

Se entro dieci secondi non va premuto un pulsante, si esce dall'impostazione.

Attivazione della modalità "Riscaldamento"

Quando il term°Convettore a pannello è spento, la temperatura ambiente dovrà essere visualizzata sul display digitale e dovrà lampeggiare solamente il „LED per la temperatura“. Premendo una volta il pulsante „On / Off“ si passa alla modalità „Riscaldamento“. Quindi si accende il LED rosso che indica questa modalità. Per circa due secondi, la temperatura impostata appare sul display digitale e durante questo tempo il „LED per la temperatura“ non si illumina. Se la temperatura dell'ambiente è inferiore a quella impostata, il riscaldatore si accende automaticamente.

Quando il riscaldatore è acceso, il Led rosso rimane illuminato continuamente!

Impostazione della temperatura

Schiacciando uno dei pulsanti ▲ e ▼ si passa in modalità „Modifica temperatura impostata“. Il display comincia a lampeggiare e sopra appare la temperatura impostata al momento. Continuando a schiacciare i pulsanti si modifica l'impostazione nella direzione desiderata. Se entro cinque secondi non viene schiacciato un pulsante nuovo, l'impostazione nuova viene memorizzata e si passa automaticamente in modalità „Riscaldamento“. Se uno dei pulsanti ▲ e ▼ rimane premuto oltre 0.7 secondi, il valore della temperatura impostata comincia automaticamente ad aumentare o diminuire con vel°Cita di 4 unità al secondo. Il campo di regolazione della temperatura impostata è compreso tra 10 e 30 gradi.

„Partenza ritardata“ dell'avviamento del term°Convettore a pannello


Quando il convettore è in modalità „Off“, premendo il pulsante „Timer“ è possibile impostare il tempo quindi passare automaticamente alla modalità „Riscaldamento“. Questa modalità è indicata da un LED giallo lampeggiante e un LED rosso spento. Il display digitale alternerà la lettura della temperatura ambiente all'accensione dell'„LED per la temperatura“, e il tempo rimanente in ore fino all'avviamento del „Riscaldamento“ all'accensione dell'„LED per il tempo“. Appena accesa questa modalità, il LED giallo si illumina e il display lampeggia visualizzando il tempo impostato in ore fino all'accensione del convettore.

Inizialmente appaiono 12 ore, quindi schiacciando i pulsanti ▲ e ▼ ce l'ora viene modificata nella direzione desiderata. Se uno dei pulsanti ▲ e ▼ rimane premuto oltre 0.7 secondi, il valore della temperatura impostata comincia automaticamente ad aumentare o diminuire con vel°Cita di 4 unità al secondo. Entro cinque secondi, al mancato schiacciare di un pulsante qualunque oppure al premere del pulsante „Timer“, il regolatore passa in modalità „Partenza ritardata“. Se si inserisce tempo 00, la modalità non viene eseguita. Nel caso in cui la modalità „Partenza ritardata“ è già avviata, premendo nuovamente il pulsante „Timer“ il tempo rimanente può essere regolato in entrambe le direzioni possibile. Una volta impostato il tempo, si passa alla modalità „Partenza ritardata“ quindi sul display oltre la temperatura appare il conto al indietro del tempo rimanente fino all'avviamento del „Riscaldamento“. È possibile uscire da questa modalità premendo il pulsante „On/Off“. Quindi il term°Convettore passa in modalità „Riscaldamento“. La modalità „Partenza ritardata“ può essere impostata da 01 a 96 ore.

Arresto della modalità "Riscaldamento"

È possibile uscire dalla modalità „Riscaldamento“ premendo il pulsante „On/Off“. Allora il riscaldatore si spegne e nel caso era già acceso il LED rosso, si spegne. Il display continua a indicare la temperatura ambiente.

Funzione "Antigelo"

Se la temperatura ambiente scende al di sotto i cinque gradi e il term°Convettore è spento (il LED rosso non s'illumina però l'interruttore meccanico è in posizione „I“ - acceso) , il riscaldatore si accende automaticamente allo scopo di evitare il gelo.



Impostazione della correzione temperatura del sensore per la temperatura non si applica in questa funzione.


Attivazione e disattivazione della funzione:

- la funzione è attiva per impostazione predefinita;
- se si desidera disattivare la funzione - il term°Convettore deve essere in modalità „Acceso“, quindi premere i pulsant ▲ e „On/Off“ per tre secondi - sul display comincerà a lampeggiare „ON“, premere il pulsante ▼ per arrivare nella posizione „OFF“, dunque attendere 3 secondi e la funzione passa automaticamente nella modalità „OFF“;
- se si desidera riattivare la funzione - il term°Convettore deve essere in modalità „Spento“, quindi premere i pulsanti ▲ e „On/Off“ per tre secondi - sul display comincerà a lampeggiare „OFF“, premere il pulsante ▼ per arrivare nella posizione „ON“, dunque attendere 3 secondi e la funzione passa automaticamente nella modalità „ON“.

IT Funzione correzione della temperatura del sensore

A causa della specificità del profilo temperatura nelle varie stanze, può esserci una differenza rispetto alla temperatura visualizzata sul display e quella effettiva misurata nelle varie posizioni dell'apparecchio di riscaldamento nella stanza.

- Controllare la temperatura che appare sul display dell'apparecchio
- Misurare la temperatura nel luogo in cui essa sia "confortevole" a sufficienza per te (di solito a un'altezza di circa 60 cm dal pavimento in posizione seduta). Se c'è una differenza nell'intervallo di $\pm 4^\circ\text{C}$, è possibile impostare la correzione nel menu del term°Convettore (condizioni importanti - la funzione può essere impostata solo dopo la tempera della stanza riscaldata - secondo il tipo di stanza il tempo minimo è di sette ore) con la differenza tra la temperatura sul display del term°Convettore e quella misurata.


 **Nota:** Questa funzione si utilizza allo scopo di migliorare il comfort di temperatura e risparmiare energia elettrica dall'utente del term°Convettore elettrico nella stanza dove è situato l'apparecchio. Una differenza maggiore di $\pm 4^\circ\text{C}$ della temperatura misurata nella posizione desiderata della stanza, significa che l'ambiente in cui si utilizza il term°Convettore non è ben isolato o non è ben temperato.

Esempio: convettore posto in una camera sopra un pavimento di pietra – la lettura del convettore è di 18°C (con impostazione a 22°C), la temperatura effettiva misurata di 22°C ad un'altezza di 60 cm dal pavimento (sensazione di una temperatura confortevole raggiunta) -> in questo caso, il term°Convettore continua a surriscaldare l'ambiente (questo è un eccessivo consumo di energia, ma il term°Convettore non riesce a raggiungere la temperatura impostata per colpa della misurazione della temperatura in posizione bassa accanto al pavimento) e non riuscirà mai a spegnersi. È necessario impostare una correzione della temperatura di $+4^\circ\text{C}$ del sensore - in questo caso il term°Convettore indicherà 22°C e comincerà a spegnersi - mantenendo la temperatura impostata di 22°C .

Per impostazione predefinita, lo stato regolare della funzione è 0°C .

- se si desidera modificare il valore – il term°Convettore deve essere in modalità „Spento“, quindi premere i pulsanti \blacktriangledown e “On/Off” per tre secondi - sul display comincerà a lampeggiare „ 0°C “. È possibile premere il pulsante \blacktriangledown o \blacktriangle per raggiungere il campo da „ -4°C “ a „ 4°C “, dunque attendere 3 secondi e la funzione viene memorizzata automaticamente.
- Quando si desidera controllare le modalità di impostazione – il term°Convettore deve essere in modalità „Spento“, quindi premere i pulsanti \blacktriangledown e

„On / Off“ per tre secondi - sul display comincerà a lampeggiare la temperatura impostata. È possibile premere \blacktriangledown o \blacktriangle per dare nuovo valore del campo da „ -4°C “ a „ 4°C “.

 **Nota:** Dopo aver usato la funzione reset delle impostazioni di fabbrica ripristinando così il valore predefinito di 0°C , bisogna reimpostare la correzione della temperatura.


Avviamento adattivo

- *controllo avviamento adattivo vuol dire: una funzione che prevede e dà inizio a una partenza ottimale del riscaldamento per raggiungere la temperatura impostata nel tempo desiderato;*
- *la funzione è attiva per impostazione predefinita;*
- *se si desidera modificare il valore – il term°Convettore deve essere in modalità „Spento“, quindi premere i pulsanti „ \blacktriangle “ e “Timer” per tre secondi - sul display comincerà a lampeggiare „A_On“, bisogna premere il pulsante „ \blacktriangledown “ per raggiungere „AOFF“, dunque attendere 3 secondi e la funzione viene memorizzata automaticamente.*
- *per tornare indietro in posizione „ON“ – il term°Convettore deve essere in modalità „Spento“, quindi premere i pulsanti \blacktriangle e “Timer” per tre secondi - sul display comincerà a lampeggiare „AOFF“, bisogna premere il pulsante \blacktriangledown per raggiungere „A_On“, dunque attendere 3 secondi e la funzione viene memorizzata automaticamente.*

Questa funzione s'imposta secondo le tue esigenze. L'apparecchio funziona sulla base della temperatura confortevole impostata fino al raggiungimento di uno stato costante in 17 ore - questa temperatura è la temperatura confortevole di riferimento. Deve essere impostato anche un periodo a una temperatura inferiore a quella confortevole impostata, con una differenza di $4^\circ\text{C} \pm 1^\circ\text{C}$, per un minimo di 7 ore. Durante il controllo adattivo attivato - lasciare il termostato elettronico dell'apparecchio a funzionare per il tempo di 4 cicli (4 x 24 ore), di cui cicli di comfort (17 ore) e a temperatura ridotta (7 h). Dopo completamento dell'ultimo periodo di riduzione, la temperatura confortevole deve essere raggiunta con una deviazione di ± 30 minuti dal tempo impostato e una differenza massima di $\pm 1^\circ\text{C}$ rispetto alla temperatura confortevole di riferimento.

“Protezione da bambini”

È possibile b1°Ccare i pulsanti tenendo premuti contemporaneamente le frecce \blacktriangledown e „Timer“ per impedire la modifica delle impostazioni. Ripetere la stessa azione per sb1°Ccare i pulsanti.

 **Nota:** Quando la tastiera è b1°Ccata, al premere di qualunque pulsante, sul display dovrebbe apparire „LOC_“

Impostazioni nel "Programmatore settimanale 24/7"



L'accesso alla modalità "Programmatore settimanale" è possibile solo se sull'apparecchio sono stati impostati il giorno della settimana e l'ora.

L'accesso e l'uscita dalla modalità impostazioni avviene premendo a lungo il pulsante "Timer".

I parametri d'impostazione sono tre - giorno della settimana, ora e temperatura richiesta. La commutazione dei tre parametri avviene con una breve pressione del pulsante „Timer“, nella sequenza - giorno, ora e temperatura. Dopo l'impostazione dell'ultimo parametro - la temperatura, bisogna premere brevemente il pulsante „Timer“ per memorizzare.

La modifica del valore di ogni parametro avviene con i pulsanti ▲ e ▼.

Condizioni per la memorizzazione

- Dopo la memorizzazione del punto, non si può più modificare finché non si esce dall'impostazione corrente.
- Alla memorizzazione del primo punto di riferimento di un determinato giorno nell'attuale impostazione, tutti i punti del giorno devono essere eliminati in precedenza.
- La memorizzazione dei punti successivi, di un determinato giorno, è possibile solo nelle ore dopo l'ultimo punto registrato, fino alla fine della giornata.
- In caso di registrazione nell'ultima ora del giorno - 23,5 h, non è più possibile aggiungere altre registrazioni in questo giorno all'attuale impostazione, e sullo schermo appare la scritta FUL e il numero del giorno.
- Se in un dato giorno non vi sarà alcuna registrazione nell'impostazione corrente, allora rimangono attuali le registrazioni precedenti all'impostazione.

Lo scopo delle impostazioni è di registrare i tre parametri nei cosiddetti punti di riferimento (SET POINTS) e la temperatura impostata in ogni punto di riferimento si esegue fino a quello successivo.

Esempio: Se in un determinato giorno hai fatto una registrazione nelle ore 7 - 22°C e vuoi che rimanga uguale entro le ore 19 (fino a quell'ora pianifichi che diventi 23°C), non è necessario memorizzare uno alla volta le ore fino a le ore 19, ma è sufficiente memorizzare una temperatura di 22°C nelle ore 7 e una temperatura di 23°C nelle ore 19. Per impostazione predefinita, in questo periodo (7-19 ore) di tempo la temperatura sarà di 22°C.

Il meccanismo di registrazione di ciascun punto è il seguente:

Dopo aver inserito le impostazioni, sullo schermo appare dAY1 di cui il numero sfarfalla, il che significa che questo è il parametro di impostazione (in questo caso, il giorno della settimana).

- Con i pulsanti ▲ e ▼ si può selezionare il giorno desiderato;
- Con una breve pressione sul pulsante "Timer" si passa all'impostazione dell'ora;
- Con i pulsanti ▲ e ▼ si può selezionare l'ora desiderata (con passo 0.5 h) per punto;
- Con una breve pressione sul pulsante "Timer" si passa all'impostazione della temperatura di riferimento;
- Con i pulsanti ▲ e ▼ si può selezionare la temperatura desiderata. La scelta possibile da fare è da 10 a 30°C e lo stato OFF;
- Con una breve pressione sul pulsante "Timer" si esegue la memorizzazione del punto e si passa all'impostazione del punto seguente (sullo schermo riappare dAYX) quindi si passa al paragrafo a) per il punto successivo;
- In caso di registrazione nell'ultima ora del giorno - 23,50 h, non è più possibile aggiungere altre registrazioni in questo giorno all'attuale impostazione, e sullo schermo appare la scritta FUL e il numero del giorno.



ATTENZIONE: i punti di un determinato giorno possono essere memorizzati solo nell'ordine crescente delle ore.



Info: Prima dell'esecuzione il paragrafo f), l'operatore può tornare indietro al paragrafo a) per modificare i tre parametri del punto premendo brevemente il pulsante ON/OFF, senza eseguire registrazioni nella memoria.

L'adempimento di punti in un determinato giorno può essere eseguito arbitrariamente dopo le registrazioni di punti negli altri giorni, ma solo osservando l'ordine crescente delle ore del giorno.

Per uscire dalle impostazioni tenere premuto a lungo il pulsante „Timer“ oppure attendere per 30 secondi.

Dopo essere usciti dalle impostazioni, è possibile visualizzare i punti registrati utilizzando i pulsanti ▲ e ▼ se il dispositivo è in modalità di programmazione.



Nota: dopo l'accensione, l'apparecchio passa alla modalità (riscaldamento o programmazione) in cui ha funzionato per ultimo.



Nota: passare alla modalità di funzionamento (riscaldamento o programmazione) premendo brevemente il pulsante **Timer** quando l'alimentazione è accesa.

IT **Funzione „Ripristino“ le impostazioni di fabbrica**

Quando il convettore è in modalità „Off“, premere contemporaneamente i pulsanti ▲ e ▼ per sei secondi, quindi sul display comincerà a lampeggiare „_ _ _ _“ e i simboli ruotare. Quando si fa „Ripristino“, sul display si può visualizzare il valore rilevato della temperatura ambiente.

Dopo aver utilizzato la funzione di ripristino, è necessario reimpostare le seguenti funzioni:

- impostazione dell'orologio
- impostazione del valore di correzione temperatura (se necessario)
- disattivazione della funzione Antigelo (se necessario)
- disattivazione l'avviamento adattativo (se necessario)
- programmatore settimanale - 24/7

Se il term°Convettore elettrico si scollega dalla rete di alimentazione, non cambieranno la temperatura impostata e la modalità di funzionamento esistenti prima di essere scollegato. Ad esempio, se è in modalità „Riscaldamento“, quando l'apparecchio viene spento e acceso, rimarrà in questa modalità con la stessa temperatura impostata.



Il principio impostato nel term°Convettore elettrico con memoria non volatile è quello di garantire la memorizzazione delle impostazioni fino a novanta minuti e senza garanzia fino a 150 minuti.

Quando la temperatura ambiente è inferiore a quella impostata coll'aiuto del termostato elettronico, il convettore inizia a funzionare e lo farà fino a quando la temperatura ambiente raggiunge il suo valore impostato. Quando la temperatura ambiente è superiore al valore impostato dal termostato, il term°Convettore passa automaticamente alla modalità „Standby On“.

Informazione visualizzata sul display

Lettura delle informazioni se non ti trovi nell'impostazione:

- In modalità „OFF“, visualizzazione della sequenza:*
 - Orologio (ore e minuti);
 - Temperatura ambiente rilevata
- In modalità „Riscaldamento“, visualizzazione della temperatura ambiente rilevata;*
- In modalità „Programmatore settimanale“, visualizzazione della sequenza:*
 - Giorno della settimana, trattino basso e temperatura rilevata. 6_22;
 - Giorno della settimana, trattino basso e

intermittente segnale della temperatura impostata nel programma (impostazione dell'ora attuale), che potrebbe essere anche il simbolo OFF. 6_23;

- Al collegamento del term°Convettore all'alimentazione, sul display appaiono:*
 - Trattini „----“, se al momento dell'interruzione dell'alimentazione l'apparecchio si trovava in modalità „OFF“;
 - Trattini „----“, che dopo due secondi sono sostituiti dalla lettura della temperatura attuale, se al momento dell'interruzione dell'alimentazione l'apparecchio si trovava in modalità „ON“;
- Due numeri (01÷96) in combinazione al LED giallo lampeggiante, indicano il tempo rimanente in ore fino all'avviamento differito, se al momento dell'interruzione dell'alimentazione l'apparecchio si trovava in modalità „Partenza ritardata“;*
- Allo scopo di ridurre ulteriormente il consumo dell'elettricità, il termoregolatore elettronico riduce la luminosità di tutti gli indicatori. Quando si preme un pulsante qualunque, la luminosità aumenta per otto secondi, quindi diminuisce nuovamente;*
- Se sul display appare „t0“ oppure „t1“ significa che il sistema di autodiagnostica ha rilevato un problema nel termo sensore. „t0“ nel caso in cui il cavo del sensore è interrotto e „t1“ se il sensore è nel cort°Circuito. In questo caso, il term°Convettore elettrico si disattiva e la sua riattivazione sarà possibile dopo l'eliminazione del problema. Il guasto deve essere rimosso da un esperto;*
- Al collegamento del term°Convettore all'alimentazione, sul display appaiono i trattini „----“, invece della temperatura e l'ora;*
- Quando sul display digitale appare la temperatura, si illumina il „LED di temperatura“ invece quando si visualizza il tempo fino all'avviamento ritardato, si illumina il „LED di tempo“.*
 - Due numeri (01÷96) in combinazione al LED giallo lampeggiante, indicano il tempo rimanente in ore fino all'avviamento differito, se al momento dell'interruzione dell'alimentazione l'apparecchio si trovava in modalità „Partenza ritardata“;
 - Allo scopo di ridurre ulteriormente il consumo dell'elettricità, il termoregolatore elettronico riduce la luminosità di tutti gli indicatori. Quando si preme un pulsante qualunque, la luminosità aumenta per otto secondi, quindi diminuisce nuovamente;
 - Se sul display appare „t0“ oppure „t1“ significa che il sistema di autodiagnostica ha rilevato un problema nel termo sensore. „t0“ nel caso in cui il cavo del sensore è interrotto e „t1“ se il sensore è nel cort°Circuito. In questo caso, il term°Convettore elettrico si disattiva e la sua riattivazione sarà possibile dopo l'eliminazione del problema. Il guasto deve essere rimosso da un esperto;

- Al collegamento del term°Convettore all'alimentazione, sul display appaiono i trattini "----", invece della temperatura e l'ora;
- Quando sul display digitale appare la temperatura, si illumina il "LED di temperatura" invece quando si visualizza il tempo fino all'avviamento ritardato, si illumina il "LED di tempo"

PROTEZIONE

- L'apparecchio è munito di un interruttore termico di sicurezza, il quale spegne automaticamente il riscaldatore nei casi di crescita della temperatura nel convettore sopra i valori ammissibili /il cosiddetto surriscaldamento dell'apparecchio/.
- L'interruttore termico di sicurezza riavvia automaticamente il funzionamento del convettore, solo quando la temperatura dell'apparecchio cade sotto i valori di limite ammissibili.

PROTEZIONE ANTIRIBALTAMENTO

Quest'apparecchio di riscaldamento è protetto da un interruttore di sicurezza che automaticamente arresta l'apparecchio quando esso cade a terra oppure quando l'angolo in cui si trova rispetto all'orizzontale è troppo grande. In questo modo si evitano incidenti e una volta messo in posizione retta l'apparecchio continuerà a funzionare nell'ultimo regime d'impostazione.

PULITA

- Prima spegnete obbligatoriamente l'apparecchio dall'interruttore e staccate la spina dalla presa di corrente della parete. Prima di cominciare a pulire il convettore lasciatelo diventare freddo, staccando la spina dalla presa di corrente.
- Pulite il corpo con uno strofinaccio umido, un aspirapolvere oppure una spazzola.
- Non immergete mai l'apparecchio in acqua - esiste una minaccia per la vita a causa di folgorazione!
- Non usate mai benzina, solvente neanche prodotti abrasivi ruvidi per la pulita, perché essi danneggeranno la copertura dell'apparecchio.

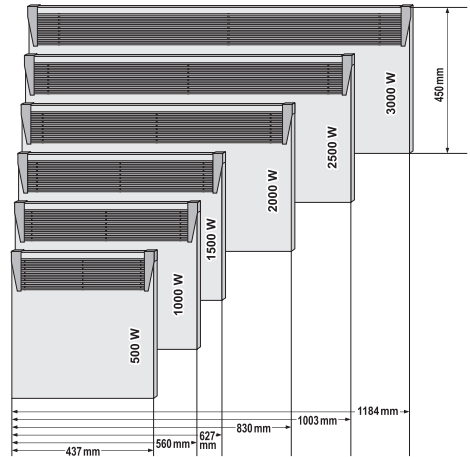
CONSERVAZIONE

- Prima di riporre dentro il convettore, lasciatelo diventare freddo, staccando la spina dalla presa di corrente.
- Usate la scatola originale per la conservazione del convettore se esso non verrà utilizzato per un certo periodo di tempo. Il prodotto viene protetto da troppa polvere e sporizia quando viene riposto dentro la sua scatola originale.
- Non riponete mai un apparecchio caldo dentro la sua scatola!
- Il prodotto deve essere conservato in un luogo secco, protetto dalla diretta luce del sole.
- È espressamente vietata la sua conversazione in ambienti umidi o bagnati.

DIMENSIONI DELL'APPARECCHIO, VOLUME E AREA RISCALDABILE NELL'AMBIENTE

Modello	Volume riscaldabile	Area riscaldabile
CN 03 050 EIS W - 500W	10* - 15 m ³	4* - 6 m ²
CN 03 100 EIS W - 1000W	20* - 30 m ³	8* - 12 m ²
CN 03 150 EIS W - 1500W	30* - 45 m ³	12* - 18 m ²
CN 03 200 EIS W - 2000W	40* - 60 m ³	16* - 24 m ²
CN 03 250 EIS W - 2500W	50* - 70 m ³	20* - 28 m ²
CN 03 300 EIS W - 3000W	60* - 80 m ³	24* - 32 m ²

* Il minimo volume (l'area) riscaldabile garantito per il riscaldamento con un coefficiente medio di conduzione termica $\lambda=0.5 \text{ W/(m}^2\text{K)}$ per l'ambiente riscaldabile. I valori più alti del volume (l'area) riscaldabile vengono ottenuti con un valore medio di $\lambda=0.35 \text{ W/(m}^2\text{K)}$. Altezza standard degli ambienti - 2.5 metri.



Attenzione: per evitare surriscaldamento, non coprite l'apparecchio!




Indicazioni di protezione dell'ambiente

I vecchi elettrodomestici contengono materiali preziosi e per questo motivo non devono essere buttati via insieme al pattume domestico! Vi preghiamo di contribuire attivamente alla protezione delle risorse e dell'ambiente e di presentare l'apparecchio nei punti di raccolta organizzati (se tali sono presenti).

TABELLA 2: INFORMAZIONI OBBLIGATORIE PER GLI APPARECCHI PER IL RISCALDAMENTO D'AMBIENTE LOCALE ELETTRICI
Identificativo del modello: 1.CN03 050 EIS W; 2.CN03 100 EIS W; 3.CN03 150 EIS W; 4.CN03 200 EIS W; 5.CN03 250 EIS W; 6.CN03 300 EIS W 230V~ 50Hz

Dato	Simbolo	Valore 1	Valore 2	Valore 3	Valore 4	Valore 5	Valore 6	Unità	Dato	Unità
Potenza termica									"Tipo di potenza termica, solo per gli apparecchi per il riscaldamento d'ambiente locale elettrici ad accumulo (indicare una sola opzione)"	
Potenza termica nominale	P_{nom}	0.50	1.00	1.50	2.00	2.50	3.00	kW	controllo manuale del carico termico, con termostato integrato	[no]
Potenza termica minima (indicativa)	P_{min}	0.00	0.00	0.00	0.00	0.00	0.00	kW	controllo manuale del carico termico con riscontro della temperatura ambiente e/o esterna	[no]
Massima potenza termica continua	$P_{max,C}$	0.50	1.00	1.50	2.00	2.50	0.00	kW	controllo elettronico del carico termico con riscontro della temperatura ambiente e/o esterna	[no]
Consumo ausiliario di energia elettrica									potenza termica assistita da ventilatore	[no]
Alla potenza termica nominale	$e_{l,max}$	0.43	0.93	1.44	1.91	2.45	2.91	kW	Tipo di potenza termica/controllo della temperatura ambiente (indicare una sola opzione)	-
Alla potenza termica minima	$e_{l,min}$	0.00	0.00	0.00	0.00	0.00	0.00	kW	"potenza termica a fase unica senza controllo della temperatura ambiente"	[no]
In modo stand-by	$e_{l,SB}$				0.00033			kW	due o più fasi manuali senza controllo della temperatura ambiente	[no]
									con controllo della temperatura ambiente tramite termostato meccanico	[no]
									con controllo elettronico della temperatura ambiente	[no]
									con controllo elettronico della temperatura ambiente e temporizzatore giornaliero	[no]
									con controllo elettronico della temperatura ambiente e temporizzatore settimanale	[si]
									Altre opzioni di controllo (è possibile selezionare più opzioni)	
									controllo della temperatura ambiente con rilevamento di presenza	[no]
									controllo della temperatura ambiente con rilevamento di finestre aperte	[no]
									con opzione di controllo a distanza	[no]
									con controllo di avviamento adattabile	[si]
									con limitazione del tempo di funzionamento	[no]
									con termometro a globo nero	[no]


TESY Ltd
 48 Madara Blvd,
 Shumen, 9700,
 Bulgaria

 *Lisez obligatoirement cette instruction avant d'utiliser cet appareil et conservez-la pour pouvoir la consulter ultérieurement. Au cas de changement de propriété, la notice doit être transmise au nouveau propriétaire.*

Nous vous félicitons d'avoir choisi notre convecteur CN03

et nous vous remercions de votre confiance. Cet appareil est élaboré pour vous offrir un chauffage pendant les mois d'hivers correspondant à vos besoins et dans l'objectif de vous apporter plein confort. Veuillez consulter attentivement cette notice, suivez les instructions et soignez proprement l'appareil pour profiter de toutes ses possibilités pendant de longues années.


MENTIONS IMPORTANTES ET CONSIGNES DE SÉCURITÉ:

 *Les enfants agés de moins de 3 ans doivent être tenu à distance, sauf qu'ils sont sous une surveillance constante.*

Les enfants entre 3 et 8 ans ne peuvent que mettre l'appareil en marche ou à l'arrêt, à condition que l'appareil ait placé et soit prêt pour fonctionnement normal et que ces enfants aient été surveillés et aient reçu des instructions préalables concernant son utilisation en toute sécurité et en comprenant bien les dangers potentiels.

Les enfants agés entre 3 et 8 ans ne doivent ni brancher l'appareil dans la prise de courant, ni régler l'appareil, ni le nettoyer ou réaliser son entretien.

Cet appareil peut être utilisé par des enfants agés de plus de 8 ans et des personnes dont les capacités physiques, sensorielles ou mentales sont réduites, ou des personnes dénuées d'expérience ou de connaissance, à condition qu'ils soient sous surveillance ou aient reçu des instructions préalables concernant l'utilisation en toute sécurité de l'appareil et ils comprennent les dangers potentiels. Les enfants ne doivent pas jouer avec l'appareil. Le nettoyage et l'entretien ne doivent pas être réalisé par des enfants sans la surveillance d'un adulte responsable.

 *Certaines parties de cet appareil peuvent devenir très chaudes et de provoquer des brûlures. Il faut prêter une attention particulière en présence d'enfants et de personnes vulnérables.*

- Avant de brancher l'appareil - vérifiez que la tension de votre installation électrique corresponde bien à celle indiquée sur la plaque signalétique de l'appareil.
- Cet appareil doit être destiné uniquement à l'usage pour lequel il a été conçu et notamment – chauffage des logements domestiques. Cet appareil n'est pas destiné à l'usage commercial. Tout autre emploi est considéré impropre et dangereux. Le constructeur ne peut pas être tenu responsable de dommages provoqués par une utilisation impropre ou irrationnelle. Le non-respect des consignes de sécurité entraîne l'annulation de la dite garantie de l'appareil.
- Ne jamais quitter votre logement pendant que l'appareil fonctionne: assurez-vous que le bouton se trouve en position «off» / «arrêt» (s'il s'agit d'un convecteur à réglage mécanique).
- Tenir les objets inflammables - par exemple meubles, oreillers, linge, papier, vêtements, drapeaux etc. - à une distance minimale de 100 cm du convecteur.
- Ne jamais utiliser l'appareil dans des endroits où sont utilisés ou stockés des liquides inflammables (par exemple à proximité des gases inflammables ou des aérosols) - il existe un risque énorme d'explosion ou d'incendie!
- Ne pas introduire ou laisser pénétrer des objets dans les ouvertures d'entrée ou de sortie d'air, car cela entraînerait un ch°C électrique, un incendie ou endommager le convecteur.
- L'utilisation de l'appareil dans le domaine d'élevage des animaux est inadéquate, le dernier est destiné uniquement à l'usage domestique.

- Ne pas couvrir les grilles de protection, ne pas bloquer l'entrée ou la sortie de l'air en plaçant l'appareil contre une surface. Tenir tous les objets à une distance minimale d'un mètre de la façade ou des côtés de l'appareil.
- La cause la plus fréquente de surchauffe est le dépôt de poussières et de fibres textiles dans l'appareil. Nettoyer régulièrement les ouvertures de ventilation après avoir obligatoirement débrancher l'appareil.
- Ne jamais toucher l'appareil avec des mains humides - risque de la vie!
- La prise de courant doit être accessible à tout moment pour pouvoir débrancher l'appareil le plus rapidement en possible cas de besoin. Ne jamais débrancher l'appareil de la prise de courant en tirant le cordon d'alimentation ou l'appareil même.
- Remarquez! L'air qui sort de l'appareil se chauffe au cours de son fonctionnement (jusqu'à plus de 100°C)
- Si le cordon d'alimentation est endommagé, arrêter l'appareil et contactez votre distributeur / vendeur pour recevoir des instructions supplémentaires.
- Si vous décidez de ne plus utiliser l'appareil, on vous conseille de le tourner inutilisable en coupant le cordon d'alimentation après l'avoir débrancher. Assurez-vous qu'il n'existe aucun danger, notamment s'il se trouve à proximité d'enfants mineurs, qui pourraient jouer avec.
- L'appareil ne doit pas être installé juste au-dessous d'une prise de courant
- Attention: Ne pas utiliser cet appareil de chauffage avec un programmateur, une minuterie ou autre dispositif qui met l'appareil de chauffage sous tension automatiquement, car il y a risque de feu si l'appareil de chauffage est recouvert ou placé de façon incorrecte.
- Placer le cordon d'alimentation à l'écart des zones de grand passage! Vous assurer que l'on ne marchera pas sur lui! Utiliser exclusivement des rallonges approuvées qui conviennent au produit, et notamment celles qui portent une marque de conformité.
- Ne jamais déplacer l'appareil en tirant le cordon d'alimentation et ne jamais utiliser le cordon d'alimentation pour déplacer des objets!
- Ne jamais tordre et tirer sur des bords tranchants le cordon d'alimentation. Ne le placer jamais sur une plaque chauffante ou un feu ouvert!


EMBALLAGE

- Après avoir déballé l'appareil, vérifiez la présence de tous les composants et son état après le transport. Si vous constatez des dégâts ou manque de composant, contactez immédiatement Votre distributeur autorisé!

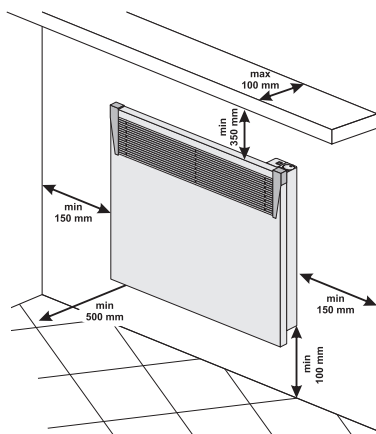
- Ne jetez pas l'emballage d'origine! Il pourrait être utilisé pour le rangement et le transport de l'appareil afin d'éviter les dommages de transport!
- Mettez l'emballage au rebut de manière appropriée! Les sachets en plastique ne sont pas de jouets! Assurez-vous que les enfants ne jouent pas avec!

INSTRUCTION DE MONTAGE

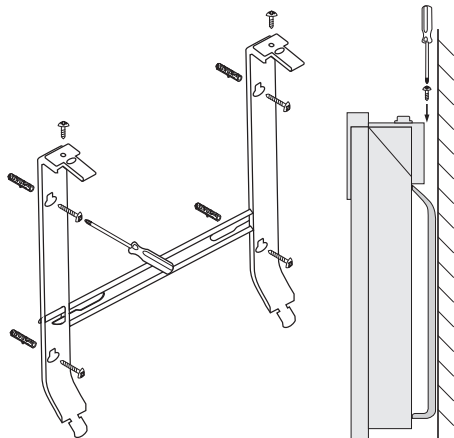
- Ce convecteur est conçu pour un usage en intérieur uniquement, installé au mur.

 **Important:** Si la pièce est d'un volume de plus de 45 m³ il est recommandable d'utiliser 2 ou plusieurs convecteurs.

- Ne pas installer le convecteur au-dessus d'une prise de courant ou une boîte de raccordement.
- Ne pas installer/ne pas utiliser le convecteur:
 1. dans un courant d'air susceptible de perturber sa régulation
 2. juste au-dessous d'une prise de courant
 3. dans le volume 1 (volume 1) des salles de bains
 4. dans le volume 2 (volume 2) des salles de bains, si le panneau de contrôle est accessible pour une personne se trouvant dans la baignoire ou sous la douche
- Pour installer le convecteur au mur n'utilisez que le support mural, fourni avec l'appareil. Respecter les distances minimum d'installation



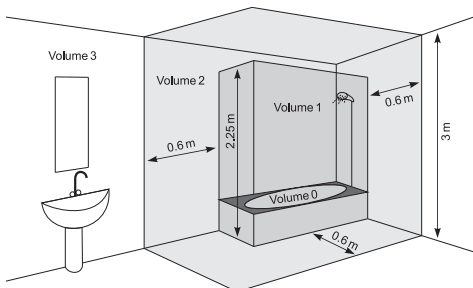
- Dégager d'abord le support mural du panneau arrière de convecteur. Dévisser les deux vis situées sur la partie supérieure des deux pièces verticales du support mural. Tirer après la partie supérieure de la pièce verticale en appuyant fortement sur les deux parties supérieures introduites dans les ouvertures du panneau arrière de l'appareil.



- Faire glisser vers le bas le panneau mural pour le dégager du panneau arrière de convecteur.
- Fixer solidement le support mural au mur par les vis dans les quatre trous préparés.
- Soulever et incliner le convecteur jusqu'à la position presque verticale et faire entrer les deux languettes inférieures de support mural dans les deux ouvertures inférieures du panneau arrière du convecteur. Soulever ensuite le convecteur et faire entrer les deux platines supérieures de support mural dans les deux ouvertures supérieures du panneau arrière du convecteur. Enfin retourner les platines en position originale et serrer les deux vis pour fixer fermement le convecteur au mur.

INSTALLATION DANS LA SALLE DE BAINS

- L'installation de ce convecteur doit s'effectuer conformément aux pratiques commerciales habituelles et en respectant les dispositions de la législation en vigueur du pays dans lequel il est mis en œuvre (les directives concernant les directives concernant l'installation des appareils électriques en EU et les exigences par rapport le montage spécial ou l'installations dans les endroits spécifiques y compris des salles de bains et des cabines de douche HD60364-7-701(IEC 60364-7-701:2006)).



- Dans le cas du montage du convecteur dans une salle de bains ou une pièce humide, l'appareil doit être installé conformément aux exigences suivantes: Le convecteur est muni de protection IP24 (protection contre la chute de gouttes d'eau). Pour cette raison il est impératif qu'il soit installé dans le volume 2 (voir le chéma en bas) de façon à ce que le panneau de commande (les interrupteurs et les autres dispositifs) ne puissent pas être touchés par une personne se trouvant dans la baignoire ou dans la douche. La distance minimum entre le convecteur et une source d'eau doit être d'au moins 1 mètre et l'appareil doit être monté sur le mur! Si vous avez des doutes ou des hésitations par rapport à l'installation de cet appareil dans la salle de bain, nous vous recommandons de consulter un électricien professionnel agréé.

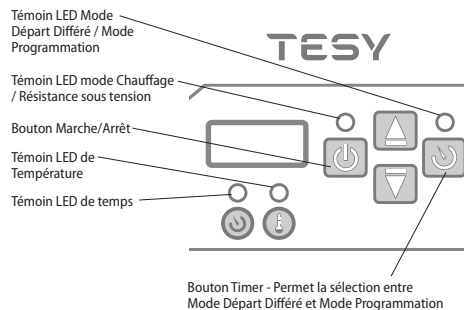
Note: *S'il est impossible de remplir les conditions mentionnées en haut il est recommandable que l'appareil soit installé dans le volume 3 (volume 3).*


- Dans des l°Caux humides comme les salles de bains et les cuisines, vous devez installer le boîtier de raccordement au moins à 25 cm du sol.
- L'installation doit comporter un dispositif de protection automatique ayant une distance d'ouverture des contacts d'au moins 3 mm. quand il est éteint.

MODE D'EMPLOI

RÉGULATION ÉLECTRONIQUE

Modes de fonctionnement



Branchez le convecteur et mettez le Bouton en position « I » (Marche) .

Réglage de l'heure et de la date

Pour pouvoir régler l'heure, le convecteur se trouver en mode Arrêt. Vous pouvez régler le jour de la semaine actuel, l'heure en cours et les minutes.

Pour régler l'heure appuyez simultanément pendant plus de trois secondes sur les boutons «On/Off» et «Timer». L'affichage du paramètre à régler commence à clignoter sur l'écran. Pour sélectionner le paramètre

appuyez brièvement le bouton **«Timer»**. Pour sortir du panneau de réglage appuyez brièvement sur le bouton **«Timer»** (après le réglage des minutes).

Pour régler le jour de la semaine actuel sélectionnez le chiffre correspondant de 1 à 7. Les heures et les minutes s'affichent simultanément sur l'écran, il ne clignote que le paramètre qui peut être sélectionné. Appuyez sur les boutons ▲ et ▼ pour régler l'heure et les minutes.

Si vous ne touchez rien pendant 10 secondes vous sortirez du panneau du réglage.

Mode « Chauffage »

Lorsque le convecteur à panneaux rayonnants est éteint l'écran LED doit afficher la température ambiante. Il n'est allumé que le témoin LED de température. En appuyant une fois sur le bouton **« On/Off »** on met le convecteur en mode **« Chauffage »**. Le témoin rouge indiquant ce régime de fonctionnement s'allume. L'écran LED affiche la température de consigne pour environ 2 secondes et pendant ce temps le témoin LED de température reste éteint. Si la température dans la pièce est inférieure à celle qui est programmée, le convecteur se met automatiquement en marche.

Lorsque le thermostat fonctionne le témoin rouge brille en permanence!

Réglage de la température de consigne

En appuyant sur les boutons ▲ ou ▼ on peut effectuer le **«Réglage de la température de consigne»**. L'écran commence à clignoter en affichant la température de consigne déjà programmée. Appuyez sur les boutons pour l'augmenter ou diminuer. Si vous ne touchez rien pendant 5 secondes la température de consigne sera enregistrée et le convecteur se mettra automatiquement en mode **«Chauffage»**. Si vous maintenez le bouton ▲ ou ▼ appuyé pendant plus de 0.7 secondes, l'indication commence automatiquement à s'augmenter ou à diminuer par 4 unités par seconde. Vous pouvez choisir une température de consigne entre 10 et 30 degrés.

Mode « Départ différé »


Lorsque le convecteur se trouve en mode « Arrêt » vous pouvez programmer l'heure où il se mettra automatiquement en mode **«Chauffage»** en appuyant sur le bouton **«Timer»**. Le témoin rouge s'éteint et le témoin jaune clignote. L'écran affiche successivement la température ambiante (quand le témoin LED de température est allumé) et les heures restantes jusqu'à la mise en mode **«Chauffage»** (quand le témoin LED de temps est allumé). Après le passage à ce mode, le témoin LED jaune s'allume et l'écran se met à clignoter en affichant les heures restantes jusqu'à la mise en marche du convecteur. Au début l'écran affiche 12 heures. Appuyez sur les boutons ▲ ou ▼ pour

prolonger ou diminuer la période. Si vous maintenez le bouton ▲ ou ▼ appuyé pendant plus de 0.7 secondes, l'indication commence automatiquement à s'augmenter ou diminuer par 4 unités par seconde. Si vous ne touchez rien pendant 5 secondes ou vous appuyez le bouton **«Timer»**, le mode **«Départ différé»** soit validé. Si vous choisissez 00 heures le mode ne peut pas être validé. Si le convecteur fonctionne déjà en mode **«Départ différé»** vous pouvez augmenter ou diminuer les heures restantes en appuyant sur le bouton **«Timer»**. Après le réglage de l'heure l'appareil fonctionne en mode **«Départ différé»**. L'écran affiche la température ambiante et les heures restantes jusqu'à la mise en mode **«Chauffage»**. Vous pouvez sortir du ce mode en appuyant sur le bouton **«On/Off»**. Le convecteur se met en mode **«Chauffage»**. Vous pouvez choisir une période entre 01 et 96 heures.

Arrêt de mode «Chauffage»

Vous pouvez sortir du mode «Chauffage» en appuyant sur le bouton **On/Off**. Le convecteur s'éteint, le témoin rouge s'éteint aussi. L'écran continue d'afficher la température ambiante.

Fonction Hors gel

Si la température dans la pièce est inférieure à 5°C et le convecteur est en mode Arrêt (le voyant rouge est éteint, mais le bouton mécanique se trouve dans la position « I » (Marche) ) la résistance se mettra en marche automatiquement au but de protéger le convecteur contre le gel.



La correction de la température mesurée n'est pas possible pour cette fonction.


Activation et désactivation de la fonction:

- la fonction est activée par défaut
- si vous souhaitez désactiver la fonction - le convecteur est en mode «Off», en appuyant simultanément sur les boutons ▲ et «On/Off» pendant trois secondes - «ON» clignote sur l'écran. Appuyez sur le bouton ▼ pour sélectionner «OFF», attendez 3 secondes et la fonction passe automatiquement en mode «OFF».
- si vous souhaitez réinitialiser la fonction - le convecteur est en mode «Off», en appuyant simultanément sur les boutons ▲ et «On/Off» pendant trois secondes - «OFF» clignote sur l'écran. Appuyez sur le bouton ▼ pour sélectionner la position «ON», attendez 3 secondes et la fonction passe automatiquement en mode «ON».

Fonction Correction de la température mesurée par le capteur de température

En raison de la spécificité du profil de température dans les différentes pièces, il peut s'avérer qu'il y ait un écart entre l'affichage de l'appareil et la température réelle mesurée dans les zones différentes de la pièce où se trouve l'appareil de chauffage.

- Remarquez la température qui s'affiche sur l'écran de l'appareil
- Mesurez la température dans une zone de la pièce où vous vous sentez bien (le plus souvent c'est à une hauteur d'environ 60 cm du sol, assis). Si vous constatez un écart de $\pm 4^{\circ}\text{C}$ vous pouvez corriger la température mesurée (Condition importante - pour accéder à cette fonction vous devez attendre la stabilisation de la température dans la pièce - l'appareil doit fonctionner au moins 7 heures) pour compenser l'écart entre l'affichage de l'appareil et la température réelle mesurée.


 **Remarque:** Cette fonction est destinée à assurer votre confort en vous permettant de réaliser des économies d'énergie dans la pièce où votre convecteur est installé. Si vous constatez un écart supérieur à $\pm 4^{\circ}\text{C}$ entre l'affichage et la température mesurée dans la pièce, cela indique que la pièce où vous utilisez le convecteur n'est pas bien isolée ou la température n'est pas stabilisée.

Exemple: Le convecteur se trouve dans une pièce sur un sol en pierre. L'affichage indique 18°C (la température de consigne est 22°C), la température réelle mesurée (la température de confort) est 22°C à une hauteur de 60 cm du sol -> dans ce scénario, le convecteur continue de chauffer la pièce (cela entraîne une perte d'énergie réelle, mais le convecteur ne peut pas atteindre la température de consigne réglée parce qu'il mesure la température de l'air en bas près du sol) et il ne s'arrêtera jamais. Il est nécessaire de corriger la température mesurée par le capteur de température avec $+4^{\circ}\text{C}$ - dans ce cas, l'écran affichera 22°C et le convecteur commencera à se mettre hors marche en maintenant la température de consigne 22°C .

La valeur par défaut est 0°C .

- si vous souhaitez modifier la valeur - le convecteur est en mode « Off », en appuyant simultanément sur les boutons ▼ et « On/Off » pendant trois secondes - le message « 0°C » clignote sur l'écran. Corrigez la valeur entre « -4°C » et « $+4^{\circ}\text{C}$ », à l'aide des boutons ▼ ou ▲ attendez 3 secondes et la fonction sera automatiquement enregistrée.
- Si vous souhaitez voir la valeur réglée - le convecteur est en mode « Arrêt », appuyez simultanément sur les boutons ▼ et « On/Off » pendant trois secondes - sur l'écran commence à clignoter la correction réglée. Vous pouvez changer

la valeur entre « -4°C » et « $+4^{\circ}\text{C}$ » à l'aide des boutons ▼ et ▲.

 **Remarque:** Après le Retour aux paramètres préétablis d'usine vous devez régler de nouveau la correction de la température, la valeur par défaut est 0°C .


Control adaptatif

- Contrôle adaptatif c'est la fonction qui permet à votre appareil à prédire et se mettre en marche à l'heure exacte pour pouvoir atteindre la température de consigne réglée au moment désiré.
- la fonction est activée par défaut
- si vous souhaitez modifier le paramètre - le convecteur est en mode « Arrêt »; appuyez simultanément sur les boutons „▲“ et « Timer » pendant trois secondes - « A_On » commence à clignoter sur l'écran; pour accéder à « AOFF » appuyez sur „▼“ attendez 3 secondes et la fonction sera automatiquement validée.
- Pour revenir au paramètre « ON » - le convecteur est en mode Arrêt; appuyez simultanément sur les boutons ▲ et « Timer » pendant trois secondes - « AOFF » commence à clignoter sur l'écran; pour accéder à „A_On“, appuyez sur ▼ attendez 3 secondes, et la fonction sera automatiquement validée.


Afin de répondre mieux à vos besoins cette fonction est programmable. L'appareil fonctionne pendant 17 heures selon le paramétrage de la température de consigne réglée jusqu'à ce qu'il atteigne un régime stable - c'est la température de confort de référence. Vous devez programmer une période de baisse de la température d'une durée minimale de 7 heures. La température pendant cette période doit être de $4^{\circ}\text{C} \pm 1^{\circ}\text{C}$ inférieure à celle de confort. Contrôle adaptatif activé, laissez le thermostat électronique fonctionner pendant 4 cycles (4 x 24 heures), durée du cycle de confort - 17 heures et température réduite pendant 7 heures. Après le dernier cycle de fonctionnement, le convecteur doit atteindre la température de confort à l'heure programmée ± 30 minutes avec une différence maximale de $\pm 1^{\circ}\text{C}$ de la température de confort de référence.

Sécurité enfants

Vous pouvez verrouiller les boutons en appuyant simultanément sur les chevrons ▼ et le bouton « Timer » pour éviter des modifications involontaires. Répétez la combinaison pour déverrouiller les boutons.

 **Remarque:** Si vous appuyez sur un bouton quand le panneau est verrouillé, l'écran doit afficher le message „LOC“

Programmation hebdomadaire personnalisée 24/7

 Pour accéder à la Programmation hebdomadaire personnalisée vous devez tout d'abord régler l'heure et le jour de la semaine.

Pour accéder à ou sortir de mode Programmation maintenez appuyé le bouton «**Timer**».

Il y a trois paramètres réglables - jour de la semaine, heure et température de consigne. Pour passer au suivant, appuyez brièvement sur le bouton «**Timer**». L'ordre sera jour, heure, température. Pour valider appuyez brièvement le bouton «**Timer**» après avoir réglé le dernier des paramètres - la température.

La modification de la valeur de chaque paramètre se fait avec les boutons ▲ et ▼.

Conditions de validation

- След запись в точка повече не може да се променя*
Après la validation d'un point de consigne, aucune modification n'est plus possible avant la sortie du réglage actuel.
- Avant la validation du premier point de consigne d'un jour, effacez tous les enregistrements précédents.*
- La validation d'un point de consigne est possible à condition que la plage horaire sélectionnée succède la plage horaire du point précédent*
- Après la validation des valeurs choisies à la dernière heure du jour - 23.5h, les enregistrements pour ce jour-là sont impossibles et sur l'écran s'affiche le message FUL et le numéro du jour.*
- Si aucune valeur n'est pas confirmée pendant le réglage pour l'un des jours de la semaine, les valeurs existantes seront valides.*

La programmation hebdomadaire a pour but d'enregistrer les valeurs des trois paramètres pour chaque « point de consigne » (SET POINT). La température de consigne programmée pour chaque point sera valide jusqu'à l'heure de début du point de consigne suivant.

Exemple: Si vous avez programmé une température de 22°C à 7 heures et vous souhaitez qu'elle reste la même jusqu'à 19 heures (après vous souhaitez l'augmenter à 23°C), il n'est pas nécessaire de programmer et valider la valeur pour chaque heure séparément, il suffit de programmer la température de consigne de 22°C à 7 heures et la température de 23°C à 19 heures. Pendant cette plage horaire (de 7 à 19 heures) la température sera 22°C.

Pour programmer les points de consigne suivez les pas:

Après avoir ouvert le menu de programmation, sur l'écran apparaît le message d'AY1 et le chiffre clignote, ce que signifie que c'est le paramètre qui peut être modifié (dans ce cas, c'est le jour de la semaine).

- Touchez les boutons ▲ et ▼ pour sélectionner le jour*
- Appuyez brièvement sur le bouton „Timer” pour passer au réglage de l'heure*
- Sélectionnez l'heure souhaitée (un pas de 0,5h) pour chaque point à l'aide des boutons ▲ et ▼*
- Appuyez brièvement sur le bouton « Timer » pour passer au réglage de la température de consigne*
- Sélectionnez la température désirée à l'aide des boutons ▲ et ▼ Les options sont de 10 à 30°C ou OFF.*
- Appuyez brièvement sur le bouton « Timer » pour valider le point et passer à la programmation du point suivant (sur l'écran s'affiche DAYX) et répétez les pas pour créer le point de repère suivant*
- Après la validation des valeurs choisies à la dernière heure du jour - 23.5h, les enregistrements pour ce jour-là sont impossibles et sur l'écran s'affiche le message FUL et le numéro du jour.*



ATTENTION: L'enregistrement des points de consigne pour un jour exige l'ordre croissant des heures de la journée.



Info: Avant l'exécution de paragraphe f), l'opérateur peut revenir au paragraphe a) pour régler les trois paramètres du point en appuyant brièvement sur le bouton **ON / OFF** sans enregistrer les valeurs dans la mémoire.

Vous pouvez retourner et enregistrer des nouveaux points mais seulement en observant l'ordre croissant des heures de la journée.

Pour sortir du panneau de programmation appuyez longuement sur le bouton «**Timer**» ou attendez 30 secondes.

Après avoir quitté le panneau des paramètres, il est possible d'afficher les points enregistrés à l'aide des boutons ▲ et ▼, si l'appareil est en mode Programmation.



Remarque: Après branchement, l'appareil fonctionne en mode (Chauffage ou Programmation) dans lequel il a fonctionné avant le débranchement.



Remarque: Changer le mode de fonctionnement (Chauffage ou Programmation) en appuyant brièvement sur le bouton «**Timer**» quand l'appareil est mis en marche.

Fonction Retour aux paramètres préétablis d'usine

Quand le convecteur est en mode « Arrêt », maintenez appuyés simultanément les boutons ▲ et ▼ pendant six secondes - sur l'écran commence à clignoter « ---- » et les symboles tournent. Au moment où tous les réglages sont annulés sur l'écran s'affichera la température ambiante mesurée.

Après le Retour aux paramètres préétablis d'usine vous devez régler de nouveau les fonctions:

- l'heure
- la valeur de la correction de la température mesurée (si nécessaire)
- désactiver la fonction Anti Gel (si nécessaire)
- la programmation hebdomadaire personnalisée 24/7

Le débranchement du convecteur électrique du réseau n'entraîne pas de modification dans la température de consigne ou le mode de fonctionnement. Si, par exemple, le convecteur fonctionnait en mode « **Chauffage** », après le branchement il continuera à fonctionner en ce mode et la température de consigne sera identique.



Le principe de fonctionnement intégré dans le convecteur électrique avec mémoire indépendante permet la garde garantie des réglages jusqu'à 90 minutes et la garde possible - jusqu'à 150 minutes.

Quand la température dans la pièce est inférieure à celle programmée à l'aide du thermostat électronique, le convecteur se met en marche et fonctionne jusqu'au moment où la température de consigne soit atteinte. Quand la température dans la pièce est supérieure à celle programmée à l'aide du thermostat électronique, le convecteur se met automatiquement en mode « Veille ».

Des informations affichées sur l'écran

Affichages sur l'écran hors Mode Programmation:

- a. *En Mode Arrêt - sur l'écran s'affichent successivement:*
 - l'heure (heure et minutes)
 - la température ambiante
- b. *En Mode Chauffage - la température ambiante mesurée*
- c. *En Mode Programmation - sur l'écran s'affichent successivement:*
 - jour de la semaine, tiret bas et la température ambiante. 6_22
 - jour de la semaine, tiret bas et la température programmée clignotante (la programmation pour l'heure en cours), il est possible que ce soit aussi le symbole OFF. 6_23

d. *Après la mise sous tension du convecteur, sur l'écran s'affichent:*

- tirets « ---- » si au moment de débranchement du réseau électrique l'appareil était éteint
 - tirets « ---- », suivis après deux secondes de l'affichage de la température ambiante si au moment de débranchement du réseau électrique l'appareil était en marche.
- e. *Deux chiffres (01 ÷ 96) et le témoin LED jaune clignotant. Les chiffres affichent le temps restant en heures jusqu'à la mise en marche différée, si au moment de débranchement du réseau électrique le convecteur était en mode « Départ différé ».*
 - f. *Pour réaliser encore plus d'économies d'énergie, le thermostat électronique réduit la luminosité de tous les LED. Si vous appuyez sur n'importe quel bouton, la luminosité augmentera pendant 8 secondes, après elle diminuera à nouveau.*
 - g. *L'apparition de « t0 » ou « t1 » sur l'écran indique que le système d'autodiagnostic a détecté un problème avec le capteur de température. « T0 » indique un câble de capteur cassé, et « t1 » - un court-circuit. Dans ce cas, le convecteur électrique s'éteint et ne peut plus être mis en marche avant la suppression de la panne. La panne doit être supprimée par un professionnel agréé qualifié.*
 - h. *Après que l'appareil est mis sous tension, „----“ apparaîtra sur l'écran au lieu de l'affichage de la température ou du temps pendant 2 secondes au maximum.*
 - i. *Quand l'écran numérique montre la température, le témoin LED de température est allumé, quand l'écran affiche le temps restant en mode Départ différé, le témoin LED de temps est allumé.*

SÉCURITÉ

- L'appareil est muni d'un dispositif de sécurité qui coupe automatiquement le fonctionnement du thermostat en cas d'échauffement anormal / surchauffe/
- Le dispositif de sécurité remet automatiquement l'appareil en marche après refroidissement.

NETTOYAGE

- Il est impératif que l'appareil soit éteint et débranché de la prise de courant murale. Débrancher-le et le laisser refroidir avant de le nettoyer.
- Le nettoyage du panneau arrière du convecteur exige un effort minimal - appuyez sur les supports muraux en forme de „H“ /fig.2/. Ainsi vous pouvez les libérer facilement et de nettoyer le panneau arrière du convecteur.

- Nettoyer le corps de l'appareil avec un chiffon humide, un aspirateur ou une brosse à poussière.
- Ne jamais plonger l'appareil sous l'eau - danger de ch°C électrique et rique à la vie!
- Ne jamais utilisez de benzène, de diluant, des poudres abrasives, ni des solvants, car ils peuvent endommager le revêtement de l'appareil.

RANGEMENT

- Avant de ranger le convecteur le laisser refroidir après l'avoir débranché de la prise murale.
- Utiliser l'emballage d'origine pour ranger le convecteur si vous n'allez pas l'utiliser pendant un certain temps. Elle protégera l'appareil de poussière et de souillure.
- Ne jamais ranger un appareil tant qu'il est chaud!
- L'appareil doit être placé dans un l°Cal à l'abri de l'humidité et de la lumière directe du soleil.
- Le rangement dans des l°Caux humides ou mouillés est strictement interdit.

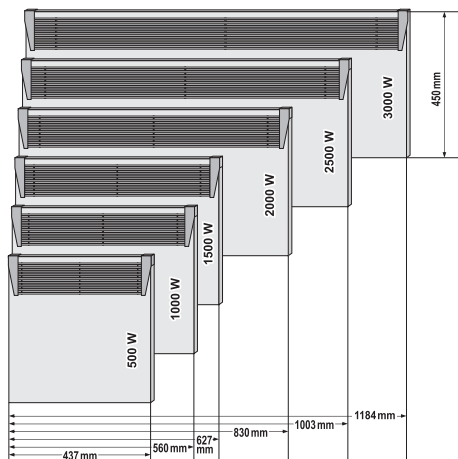
SAV (SERVICE APRÈS VENTE)

- En cas d'endommagement ou de mauvais fonctionnement de l'appareil veuillez contacter un Centre de service agréé de votre réseau /voir la liste des Centres de service agréé mentionnés sur le bon de garantie du produit/.
- **Important:** En cas de réclamation et/ou de violation de vos droits en tant que consommateur veuillez immédiatement contacter le fournisseur de l'appareil à l'adresse mentionnée ou via la page web de la s°Ciété: www.tesy.com

PUISSANCE DE L'APPAREIL, VOLUME ET SURFACE DE CHAUFFE

Modèle	Volume de chauffe	Surface de chauffe
CN 03 050 EIS W - 500W	10* - 15 m ³	4* - 6 m ²
CN 03 100 EIS W - 1000W	20* - 30 m ³	8* - 12 m ²
CN 03 150 EIS W - 1500W	30* - 45 m ³	12* - 18 m ²
CN 03 200 EIS W - 2000W	40* - 60 m ³	16* - 24 m ²
CN 03 250 EIS W - 2500W	50* - 70 m ³	20* - 28 m ²
CN 03 300 EIS W - 3000W	60* - 80 m ³	24* - 32 m ²

* Volume/surface de chauffe garanti minimum, coefficient moyen de conductivité thermique $\lambda = 0,5 \text{ W} / (\text{m}^2\text{K})$ dans la pièce chauffée. Les meilleurs résultats pour le volume chauffé (surface) sont réalisés à une valeur moyenne de $\lambda = 0,35 \text{ W} / (\text{m}^2\text{K})$. Hauteur de pièce standard - 2,5 mètres.



ATTENTION: Pour éviter une surchauffe dangereuse, ne couvrez en aucun cas l'appareil!




Protection de l'environnement

Les appareils électriques sont conçus et fabriqués avec des matériaux et des composants de haute qualité. Ne les jetez donc à la poubelle comme des déchets ménagers normaux! Veuillez respecter les dispositions de la protection de l'environnement et réutilisation des ressources et remettez le produit à l'un des centres de collecte sélective s'il y en a prévus.

TABLEAU 2: EXIGENCES D'INFORMATIONS APPLICABLES AUX DISPOSITIFS DE CHAUFFAGE DÉCENTRALISÉS ÉLECTRIQUES
Référence(s) du modèle: 1.CN03 050 EIS W; 2.CN03 100 EIS W; 3.CN03 150 EIS W; 4.CN03 200 EIS W; 5.CN03 250 EIS W; 6.CN03 300 EIS W 230V~ 50Hz

Caractéristique	Symbole	Valeur 1	Valeur 2	Valeur 3	Valeur 4	Valeur 5	Valeur 6	Unité	Caractéristique	Unité
Puissance thermique									Type d'apport de chaleur, pour les dispositifs de chauffage décentralisés électriques à accumulation uniquement (sélectionner un seul type)	
Puissance thermique nominale	P_{nom}	0.50	1.00	1.50	2.00	2.50	3.00	kW	contrôle thermique manuel de la charge avec thermostat intégré	[non]
Puissance thermique minimale (indicative)	P_{min}	0.00	0.00	0.00	0.00	0.00	0.00	kW	contrôle thermique manuel de la charge avec réception d'informations sur la température de la pièce et/ou extérieure	[non]
Puissance thermique maximale continue	$P_{max,C}$	0.50	1.00	1.50	2.00	2.50	0.00	kW	contrôle thermique électronique de la charge avec réception d'informations sur la température de la pièce et/ou extérieure	[non]
Consommation d'électricité auxiliaire									puissance thermique réglable par ventilateur	[non]
À la puissance thermique nominale	e_{lmax}	0.43	0.93	1.44	1.91	2.45	2.91	kW	Type de contrôle de la puissance thermique/ de la température de la pièce (sélectionner un seul type)	
À la puissance thermique minimale	e_{lmin}	0.00	0.00	0.00	0.00	0.00	0.00	kW	contrôle de la puissance thermique à un palier, pas de contrôle de la température de la pièce	[non]
En mode veille	e_{lSB}			0.00033				kW	contrôle à deux ou plusieurs paliers manuels, pas de contrôle de la température de la pièce	[non]
									contrôle de la température de la pièce avec thermostat mécanique	[non]
									contrôle électronique de la température de la pièce	[non]
									"contrôle électronique de la température de la pièce et programmeur journalier"	[non]
									contrôle électronique de la température de la pièce et programmeur hebdomadaire	[oui]
									Autres options de contrôle (sélectionner une ou plusieurs options)	[non]
									contrôle de la température de la pièce, avec détecteur de présence	[non]
									contrôle de la température de la pièce, avec détecteur de fenêtre ouverte	[non]
									option contrôle à distance	[non]
									contrôle adaptatif de l'activation	[oui]
									limitation de la durée d'activation	[non]
									capteur à globe noir	[non]

TESY Ltd
48 Madara Blvd,
Shumen, 9700,
Bulgaria

 *Læs denne brugermanual grundigt igennem før brug og gem den til fremtidig brug. Ved ejerskifte skal brugermanualen følges med apparatet.*

Tak fordi du valgte konvektor CN03. Den vil sørge for opvarmning om vinteren og behagelig varme i det opvarmede rum alt efter behov. Den korrekte brug og vedligehold i overensstemmelse med denne brugermanual vil forlænge apparatets levetid.


VIGTIGE SIKKERHEDSANVISNINGER:

 *Hold børn under 3 år væk fra apparatet, medmindre de er under konstant opsyn.*

Børn fra 3 til 8 år må kun bruge apparatets tænd/sluk-knap, hvis apparatet er blevet færdigmonteret og klar til brug, og hvis børnene er blevet vejledt og instrueret i sikker brug, og hvis de forstår at anvendelsen af apparatet kan være farlig.

Børn fra 3 til 8 år må ikke sætte stikket ind i stikkontakten, indstille apparatet, rengøre det eller udføre brugervedligeholdelse.

Dette apparat kan bruges af børn ældre end 8 år og personer med nedsat fysisk, sensorisk eller psykisk funktionsevne, eller med manglende erfaring og viden, hvis de er blevet vejledt eller instrueret i sikker brug af apparatet og forstår farerne. Børn må ikke lege med apparatet. Rengøring og brugervedligeholdelse må ikke udføres af børn uden opsyn.

 *Visse dele af dette produkt kan blive meget varme og medføre forbrændinger. Hvis der er børn og sårbare mennesker, skal man tage særligt hensyn til dem.*

- Inden du tilslutter apparatet skal du tjekke, om spændingen på typeskiltet stemmer overens med din lokale strømforsyning.
- Apparatet må kun anvendes formålsmæssigt, dvs. til opvarmning af private hjem. Apparatet er ikke beregnet til kommercielle formål. Al anden brug skal betragtes som forkert og dermed farlig. Producenten kan ikke holdes ansvarlig for eventuelle skader forårsaget af forkert og uheldig brug. Manglende overholdelse af sikkerhedsanvisningerne vil ugyldiggøre apparatets garanti!
- Du må ikke forlade dit hjem, mens apparatet er tændt: tjek først, at knappen er slukket (gælder kun modeller med mekanisk regulering).
- Hold antændelige genstande såsom møbler, puder, sengetøj, papirer, tøj, gardiner osv. på en afstand af mindst 100 cm væk fra konvektoren.
- Brug ikke apparatet der, hvor du anvender eller opbevarer brændbare stoffer (fx i nærheden af brændbare gasser eller aerosoler) - der er stor risiko for brand og eksplosion!
- Du må ikke indsætte eller lade fremmedlegemer komme ind i ventilationsåbningerne (indsugnings- og udblæsningsåbningerne), da dette vil medføre elektrisk stød, brand eller beskadigelse af konvektoren.
- Apparatet er ikke egnet til dyreavl, det er kun beregnet til almindelig husholdningsbrug!
- Du må ikke tildække sikkerhedsgitrene eller blokkere den ind- og udgående luftstrøm ved at placere apparatet på steder, hvor luftstrømmen hindres. Alle genstande skal være mindst 1 m væk fra apparatets front og sider.
- Den mest almindelige årsag til overopvarmning er ophobningen af fnug og støv på apparatet. Ventilationsåbningerne skal støvsuges regelmæssigt, efter at man har taget apparatets stik ud af stikkontakten.
- Apparatet må ikke berøres med våde eller fugtige hænder – det kan være livsfarligt!
- Stikkontakten skal til enhver tid være tilgængelig, for at man skal kunne trække stikket ud så hurtigt

som muligt, hvis det bliver nødvendigt! Træk aldrig i ledningen eller selve apparatet, når du skal tage stikket ud af kontakten.

- Bemærk! Den udgående luft bliver opvarmet under drift (op til over 100°C).
- Brug ikke apparatet hvis netledningen er beskadiget, i dette tilfælde skal du kontakte forhandleren/sælgeren for yderligere anvisninger.
- Hvis du vil holde op med at bruge apparatet, skal du helst gøre det ubrugeligt ved at skære ledningen over, efter at du har taget stikket ud af kontakten. Vi anbefaler, at du bagefter sikrer apparatet mod alle mulige farer, især hvis der er risiko for at børn kommer til at lege med apparatet.
- Apparatet må ikke anbringes under stikkontakter!
- Advarsel: Brug ikke dette apparat med en programmeringsenhed, timer eller anden indretning til automatisk tænding, for hvis apparatet bliver tildækket eller anbragt på det forkerte sted, er der risiko for brand.
- Placer netledningen, så den ikke står i vejen og ikke betrædes! Brug kun godkendte forlængerledninger, der er egnede til apparatet, dvs. de skal have et overensstemmelsesmærke!
- Flyt aldrig apparatet ved at trække i ledningen, og brug ikke ledningen til at bære genstande med!
- Undgå at bøje ledningen og trække den over skarpe kanter, læg den på varmeplader eller i åben ild!

INDPAKNING

- Efter udpakning af apparatet skal du kontrollere, at det ikke er blevet beskadiget under transporten, og at det er fuldt udstyret! Hvis du finder en skade eller manglende komponenter, bedes du kontakte din autoriserede forhandler!
- Smid ikke originalæskan ud! Den kan bruges til opbevaring og transportering af apparatet, så man undgår at det bliver beskadiget under transporten.
- Emballagen skal bortskaffes på en hensigtsmæssig måde! Børn må ikke lege med polyethylenposerne!

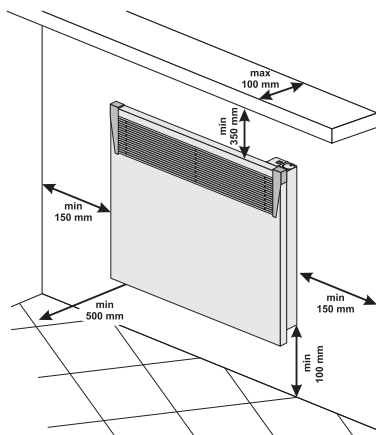
MONTERING

- Denne konvektor er beregnet til brug indendørs, monteret på væggen.

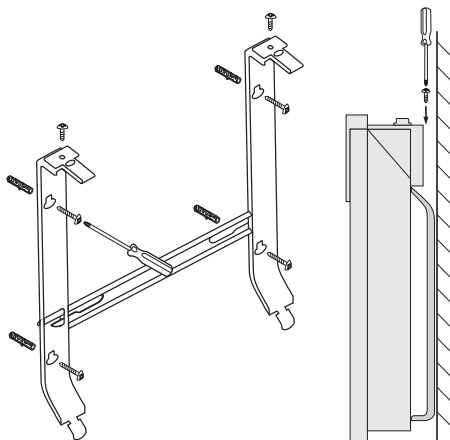
Vigtigt: I rum med volumen større end 45 m³ anbefales at man bruger 2 eller flere konvektorer.

- Konvektoren må ikke monteres under stikkontakter eller tilslutningsbokse.

- Konvektoren må ikke monteres/anvendes
 1. på steder, hvor der er trækraft, da den kan forstyrre kontrolindstillingerne;
 2. direkte under stikkontakter;
 3. i rum 1 (volume 1) for badeværelser;
 4. i rum 2 (volume 2), hvis betjeningspanelet kan tilgås af en person, der befinder sig i brusebadet eller karbadet;
- Til monteringen af konvektoren må der kun anvendes de medfølgende vægbeslag. Under monteringen skal man overholde minimumsafstandene



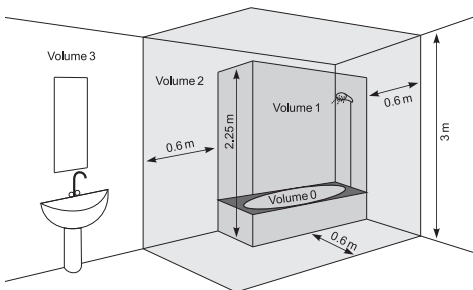
- Man skal først fjerne vægbeslagene fra bagsiden. Fjern de to skruer øverst på vægbeslagene to lodrette skinner. Træk derefter skinnens øverste del ved kraftigt at trykke de to øverste dele, der sidder i bagsiden.



- Skub vægbeslaget ned for at fjerne det fra bagsiden.
- Fastgør vægbeslaget til væggen ved hjælp af de fire skruehuller.
- Løft konvektoren til en næsten lodret stilling og indsæt vægbeslagenes to nederste fremspring i de to nederste sprækker på konvektorens bagklappe. Løft bagefter konvektoren og indsæt vægbeslagenes to øverste fremspring i de to øverste sprækker på konvektorens bagklappe. Sæt dem så tilbage på plads og stram de to skruer for at fastgøre konvektoren til væggen.

ANVENDELSE AF APPARATET I BADEVÆRELSER

- Konvektoren skal monteres i overensstemmelse med den normale handelspraksis og i overensstemmelse med lovgivningen i det pågældende land (EF elektricitetsdirektiver og krav til specielle installationer eller områder - Områder med bad eller brusebad HD60364-7-701 (IEC 60364-7-701:2006)).



- Hvis denne konvektor skal bruges i et badeværelse eller andet lignende rum, skal man under monteringen overholde følgende krav: Konvektoren har beskyttelse IP24 (beskyttet mod stænk). Af den grund skal den monteres i rum 2 (volume2) (se figur nedenfor) for at forhindre at konvektorens betjeningspanel (afbryder eller temperaturregulator) kan tilgås af en person, der befinder sig i brusebadet eller i kurbadet. Minimumsafstanden mellem apparatet og nærmeste vandkilde skal være mindst 1 m og apparatet skal under alle omstændigheder være monteret på væggen! Hvis du er usikker på hvordan du skal montere konvektoren i et rum med bad, skal du helst spørge en professionel elektriker til råds.

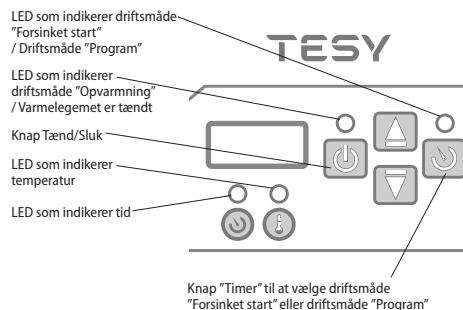
Bemærk: Hvis betingelserne ovenfor ikke kan overholdes, skal man helst montere i rum 3 (VOLUME 3).

- I vådrum (badeværelser og køkkener) skal strømkilden monteres i en højde på mindst 25 cm fra gulvet.
- Anlægget skal være udstyret med en automatisk sikring, hvor afstanden mellem stikkontakterne, når den er slukket, skal være mindst 3 mm.

BETJENINGSVEJLEDNING

ELEKTRONISK STYRING

Driftsmåder





Tænd konvektoren, tryk på knappen så at den er i position "1" (Tændt) .

Indstilling af uret

Uret kan kun indstilles i driftsmåde slukket. Der indstilles den aktuelle ugedag, time og minutter.

Man kan indstille uret ved at trykke samtidigt på og holde knapperne „Tænd/Sluk“ („ON/OFF“) og „Timer“. Parametere, der indstilles, blinker på displayet. Man vælger parametere der skal indstilles ved et kort tryk på knappen „Timer“. For at afslutte indstillingen skal man en tredje gang trykke kort på knappen „Timer“ (efter indstillingen af minutterne).

Indstillingen starter med ugedagen - fra 1 til 7 afhængigt af hvilken ugedag der er tale om og den indstilles ved hjælp af det respektive tal. Timen og minutterne vises samtidigt på displayet. Der blinker kun parametere som skal indstilles. Ændringen af parameterværdien sker ved hjælp af knapperne  og .

Hvis man ikke trykker på en knap i 10 sekunder går man ud af indstillingsmenuen automatisk.

Valg af driftsmåde "Opvarmning"

Når konvektoren er slukket vises der rumtemperaturen på displayet og der skal kun lyse "LED som indikerer temperatur". Når man trykker en gang på knappen "Tænd/Sluk" („ON/OFF“) vælger man driftsmåde „Opvarmning“. Derefter tændes den røde lysdiode som indikerer denne driftsmåde. I ca. 2 sekunder vises den indstillede temperatur på displayet og "LED som indikerer temperatur" lyser ikke. Hvis rumtemperaturen er mindre end den indstillede temperatur tændes varmelegemet automatisk.

Når varmelegemet er tændt lyser den røde lysdiode hele tiden!

Indstilling af temperatur

Man vælger driftsmåde "Ændring af den indstillede temperatur" ved at trykke på en af knapperne ▲ eller ▼ Displayet starter at blinke og der vises den aktuelle indstillede temperatur. Hvis man trykker igen på knapperne ændres den indstillede temperatur som man ønsker. Hvis man ikke trykker på en af knapperne i 5 sekunder, gemmes indstillingen og enheden skifter automatisk til driftsmåde "Opvarmning". Hvis man trykker på og holder en af knapperne ▲ eller ▼ i over 0.7 sekunder begynder den indstillede temperatur automatisk at øges eller sænkes med 4 enheder per sekund. Begrænsningerne for indstilling af temperaturen af fra 10 til 30 grader.

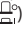
"Forsinket start" for tænding af konvektoren.

Når konvektoren er i driftsmåde "Slukket" kan man indtaste en vis tid ved at trykke på knappen "Timer". Når den indtastede tid er forbi skifter enheden automatisk til driftsmåde "Opvarmning". Denne driftsmåde indikeres med en blinkende gul lysdiode og en slukket rød lysdiode. På det digitale display skifter indikation om rumtemperaturen, når der lyser "LED som indikerer temperatur", og den resterende tid i timer indtil enheden skifter til driftsmåde "Opvarmning", når der lyser "LED som indikerer tid". Når enheden skifter til denne driftsmåde lyser den gule lysdiode og displayet begynder at blinke og viser den resterende tid i timer indtil konvektoren tændes. Den automatiske indstilling er 12 timer. Ved at trykke på knapperne ▲ eller ▼ kan man ændre tiden som man ønsker. Hvis man trykker på og holder en af knapperne ▲ eller ▼ ce задръжи над 0.7 сек., стойността на времето i over 0.7 sekunder begynder den indstillede tid automatisk at øges eller sænkes med 4 enheder per sekund. Hvis man ikke trykker på en knap i 5 sekunder eller hvis man trykker på knap "Timer", skifter enheden til driftsmåde "Forsinket start". Hvis man indtaster tid 00 skifter enheden ikke til denne driftsmåde. Hvis enheden er i driftsmåde "Forsinket start" og man trykker igen på knappen "Timer" kan den indstillede resterende tid ændres som man ønsker. Når man indstiller tiden skifter enheden til driftsmåde "Forsinket start". På displayet vises temperaturen samt de resterende timer indtil enheden skifter til driftsmåde "Opvarmning". Man kan afslutte denne driftsmåde ved at trykke på knappen "Tænd/Sluk" („ON/OFF"). Derefter skifter konvektoren til driftsmåde "Opvarmning". „Forsinket start" kan indstilles fra 01 til 96 timer.

Slukning af driftsmåde "Opvarmning"

Man kan afslutte driftsmåde "Opvarmning" ved at trykke på knappen "Tænd/Sluk". Varmelegemet slukkes, om det har været tændt, og den røde lysdiode slukkes. På displayet fortsætter at vises rumtemperaturen.

Funktion "Frostsikring"

Hvis temperaturen i rummet falder under 5 grader og konvektoren er slukket (den røde lysdiode er slukket, men knappen er i position "I" (Tændt) ) , tændes varmelegemet automatisk for at forhindre frysning.



Indstilling af temperatur for temperatursensoren gælder ikke for denne funktion.

Aktivering og deaktivering af funktionen:

- funktionen er slået til ifølge fabriksindstillingerne
- hvis du vil slå fra funktionen - konvektoren er i driftsmåde "Slukket", tryk på knappen ▲ og knappen "Tænd/Sluk" („ON/OFF") i tre sekunder - displayet begynder at blinke "Tænd"; når du trykker på knappen ▼ skifter den til position "Sluk"; vent i 3 sekunder og funktionen skifter automatisk til driftsmåde "Sluk".
- hvis du vil slå til funktionen igen - konvektoren er i driftsmåde "Slukket", tryk på knappen ▲ og knappen "Tænd/Sluk" („ON/OFF") i tre sekunder - displayet begynder at blinke "Sluk"; når du trykker på knappen ▼ skifter den til position "Tænd"; vent i 3 sekunder og funktionen skifter automatisk til driftsmåde "Tænd".

Funktion temperaturkorrektion af sensoren

På grund af den specifikke temperaturprofil i de forskellige rum, kan der være forskel på temperaturen, der vises på displayet, og den målte temperatur i de forskellige steder i rummet der man stiller opvarmningsenheden.

- Tjek temperaturen som vises på enhedens display
- Mål temperaturen hvor den er behagelig nok for dig (normalt i en højde på ca. 60 cm fra gulvet i en siddende position). Hvis der er en forskel i rækkevidden på $\pm 4^{\circ}\text{C}$ kan du indstille den nødvendige korrektion i konvektorens menu i henhold til forskellen mellem temperaturen som vises af konvektoren og den målte temperatur (Vigtigt - funktionen kan kun indstilles efter temperering af rummet der skal opvarmes. I henhold til rumtypen er den minimale nødvendige tid 7 timer).



OBS: Denne funktion bruges til en bedre temperaturkomfort og energibesparelse for konvektorens bruger i rummet der konvektoren er stillet. Ved en større forskel end 4 grader af den målte temperatur på det ønskede sted i rummet, betyder det at rummet, der du anvender konvektoren, ikke er godt isoleret eller tempereret.

Eksempel: En konvektor der er stillet i et rum på et stengulv - konvektoren viser 18°C (ved indstillet temperatur 22°C), den målte temperatur (komforttemperaturen) er 22°C i en højde på ca. 60 cm fra gulvet -> i dette tilfælde fortsætter konvektoren at overopvarme rummet (dette er en direkte energitab, men konvektoren kan ikke nå den indstillede temperatur da enheden måler temperaturen ned til gulvet)

og slukkes aldrig. Det er nødvendigt at man indstiller en temperaturkorrektur af sensoren på +4°C - i dette tilfælde viser konvektoren 22°C og begynder at slukkes mens den bibeholder den indstillede på 22°C temperatur.

Funktionens normale indstilling er 0°C ifølge fabriksindstillingerne

- hvis du vil ændre indstillingen - konvektoren er i driftsmåde "Slukket"; ved at trykke på knappen ▼ og knappen "Tænd/Sluk" („ON/OFF“) i tre sekunder begynder på displayet at blinke "0°C". Du kan trykke på knappen ▼ eller knappen ▲ for at nå rækkevidden fra "-4°C" til "4°C"; du venter i 3 sekunder og funktionen gemmes automatisk.
- hvis du vil tjekke den indstillede temperaturkorrektur - konvektoren er i driftsmåde "Slukket"; ved at trykke på knappen ▼ og knappen "Tænd/Sluk" („ON/OFF“) i tre sekunder begynder på displayet at blinke den indstillede temperatur. Du kan trykke på knappen ▼ eller knappen ▲ for at gøre en ny indstilling i rækkevidden fra "-4°C" til "4°C".



OBS: Hvis du gendanner fabriksindstillingerne - man skal indstille temperaturkorrektionen igen. Fabriksindstillingen er 0°C.

Adaptiv start

- adaptiv styring af starten er en funktion der forudsiger og initierer den optimale start for opvarmningen for at nå den indstillede temperatur på det ønskede tidspunkt.
- funktionen er slået til ifølge fabriksindstillingerne
- hvis du vil ændre indstillingen - konvektoren er i driftsmåde "Slukket", tryk på knappen „▲“ og knappen "Timer" i tre sekunder - på displayet begynder at blinke "A_On" og du skal trykke på „▼" for at gå til "AOFF". Vent i 3 sekunder og funktionen gemmes automatisk.
- Hvis du vil gå tilbage til tilstand "ON" igen - konvektoren er i driftsmåde "Slukket", tryk på knappen ▲ og knappen "Timer" i tre sekunder - på displayet begynder at blinke "AOFF" og du skal trykke på ▼ for at gå til "A_On". Vent i 3 sekunder og funktionen gemmes automatisk.

Denne funktion indstilles ifølge dine behov. Enheden virker ifølge den indstillede komforttemperatur indtil den når en stabil tilstand efter 17 timer. Denne temperatur er en referencekomforttemperatur. Der skal indstilles en tidsperiode på minimum 7 timer med lavere temperatur end den indstillede komforttemperatur med forskel på 4°C ± 1°C. Når den adaptive styring er aktiveret - lad enhedens elektroniske termostat virke i løbet af 4 cykler (4 x 24 timer), komfortcykler (17 timer) og lavere temperatur (7 timer). Efter den sidste tidsperiode med lavere temperatur skal komforttemperaturen nås inden for ± 30 minutter i henhold til den indstillede tid med en maksimal forskel på ± 1°C i henhold til referencekomforttemperaturen.

"Børnesikring"

Du kan låse knapperne ved at trykke samtidigt på og holde ▼ og "Timer", for at forhindre ændring af indstillingerne. Gentag det samme for at låse op knapperne.



OBS: Når knapperne er låste tryk på nogen af dem og displayet viser „LOC.“

Indstillinger for driftsmåde "Ugentlig programmering 24/7"



Man kan kun gå ind i indstillingsmenuen af driftsmåde "Ugentlig programmering" hvis man har indstillet tid og ugedag på konvektoren.

For at gå ind og ud af indstillingsmenuen skal man trykke på og holde knappen "Timer".

Parameterværdierne er tre - ugedag, tid og temperaturindstilling. For at skifte mellem de tre parameterværdier skal man trykke kort på knappen "Timer". Parameterværdierne vises i rækkefølgen dag, tid, temperatur. Man gemmer indstillingen ved at trykke kort på knappen "Timer" efter at man har indstillet den sidste parameter - temperatur.

Ændringen af hver parameterværdi sker ved hjælp af knapperne ▲ og ▼.

Hvordan gemmer man indstillingsværdier

- Efter at du gemmer en indstillingsværdi kan du ikke lave flere ændringer inden du går ud af den aktuelle indstilling.
- Når du gemmer den første indstillingsværdi for en ugedag i den aktuelle indstilling slettes alle indstillingsværdier for denne ugedag.
- Du kan kun gemme de næste indstillingsværdier for ugedagen for timerne indtil slutningen af ugedagen efter den sidste indstillingsværdi.
- Når du gemmer en indstillingsværdi for den sidste timen i ugedagen - 23.5h, kan du ikke lave flere indstillinger for denne ugedag og på displayet vises FUL og ugedagens nummer.
- Hvis du ikke gemmer indstillingsværdier for ugedagen, gemmes de eksisterende indstillingsværdier.

Formålet med indstillingerne er at man gemmer de tre parametre i de såkaldte indstillingsværdier (SET POINTS). Den indstillede temperatur i hver indstillingsværdi bruges indtil den næste indstilling bliver aktuel.

Eksempel: Hvis du har gemt en indstillingsværdi for en ugedag kl. 7:00 med temperatur 22°C og du vil at temperaturen forbliver den samme indtil kl. 19:00 (du planerer at temperaturen skifter til 23°C på denne tidspunkt) er det ikke nødvendigt at du gemmer en indstillingsværdi for hver time. Du skal kun gemme temperatur 22°C kl. 7:00 og temperatur 23°C kl. 19:00. Ifølge standardindstillingen vil temperaturen i denne tidsperiode (kl. 7:00 - 19:00) være 22°C.

Hvordan gemmer man hver indstillingsværdi:

Når man går til displayindstillingerne vises der dAY1. Tallet blinker. Det betyder at denne parameter skal indstilles (i dette tilfælde ugedag).

- Man vælger den ønskede dag med knapperne ▲ og ▼
- Ved at trykke kort på knappen "Timer" går man til indstillingen af tid
- Man vælger den ønskede tid (hvert trin er 0,5h) med knapperne ▲ og ▼
- Ved at trykke kort på knappen "Timer" går man til indstillingen af temperatur
- Man vælger den ønskede temperatur med knapperne ▲ og ▼ De mulige temperaturindstillinger er fra 10 till 30°C og OFF (slået fra).
- Ved at trykke kort på knappen "Timer" gemmes indstillingsværdien og man går til den næste indstillingsværdi (på displayet vises igen dAYX) og man starter igen fra st. a/ for at indstille den næste indstillingsværdi.
- Når du gemmer en indstillingsværdi for den sidste time i ugedagen - 23.5h, kan du ikke lave flere indstillinger for denne ugedag og på displayet vises FUL og ugedagens nummer.



OBS: Indstillingsværdierne for en vis ugedag gemmes kun i stigende rækkefølge af timerne.



Information: Før man udfører st. f) kan man gå tilbage til st. a) for at ændre de tre indstillingsværdiparametre ved at trykke kort på knappen "Tænd/Sluk" uden at der gemmes noget i enhedens hukommelse.

Ændringen af indstillingsværdier for en ugedag kan gøres tilfældigt efter at man gemmer indstillingsværdier for andre ugedage, men kun hvis man observerer reglen at gøre det i stigende rækkefølge af timerne.

Man går ud af indstillingsmenuen ved at trykke på og holde knappen "Timer" eller ved at vente 30 sekunder.

Efter man går ud af indstillingsmenuen kan man tjekke de gemte indstillingsværdier ved hjælp af knapperne ▲ og ▼ hvis enheden er i driftsmåde program.



OBS: Efter man tænder enheden går den i driftsmåden (opvarmning eller program) som enheden virkede i sidst.



OBS: Driftsmåden (opvarmning eller program) skiftes ved at man trykker kort på knappen "Timer" når enheden er tændt.

Funktion "Gendan fabriksindstillingerne"

Når konvektoren er i driftsmåde "Slukket" trykker man samtidigt på knappen ▲ og knappen ▼ i seks sekunder. Derefter begynder på displayet at blinke "____" og symbolerne roterer. Når man gendanner fabriksindstillingerne vises der på displayet den målte rumtemperatur.

Når du bruger denne funktion skal du igen indstille de følgende funktioner:

- indstilling af uret
- indstilling af temperaturkorrektion (hvis du har brug for det)
- deaktivering af funktion "Frostsikring" (hvis du har brug for det)
- deaktivering af funktion "adaptiv start" (hvis du har brug for det)
- ugentlig programmering - 24/7

Hvis man lukker for strømmen til den elektriske konvektor ændrer dette ikke den indstillede temperatur og driftsmåden som var aktive inden konvektoren blev slået fra. Hvis konvektoren var i driftsmåde "Opvarmning" for eksempel når den blev slukket, forbliver konvektoren i denne driftsmåde med den samme indstillede temperatur når man tænder enheden igen.



Princippet som den elektriske konvektor med en energifhængig hukommelse er bygget på er at enheden gemmer indstillingerne op til 90 minutter garanteret og op til 150 minutter ugaranteret.

Når rumtemperaturen er lavere end den indstillede starter konvektoren at virke og virker indtil rumtemperaturen når den indstillede værdi ved hjælp af den elektroniske termostat. Når rumtemperaturen er højere end den indstillede skifter konvektoren automatisk til driftsmåde "Klar" ved hjælp af termostaten.

Information der vises på displayet

Displayet viser den følgende når enheden ikke er i indstillingsmenuen:

- Driftsmåde slukket - der vises i rækkefølge:
 - ur (time og minutter)
 - målt rumtemperatur
- Driftsmåde opvarmning - der vises den målte rumtemperatur
- Driftsmåde ugentlig programmering - der vises i rækkefølge:
 - ugedag bundstreg målt temperatur 6_22
 - ugedag bundstreg blinkende temperaturindstilling (for den aktuelle time), der også kan være symbolet OFF. 6_23
- Når konvektoren tilsluttes elforsyningen vises der på displayet:
 - streger "----" - hvis konvektoren var slukket når strømmen afbrødes.
 - streger "----" som skiftes med den nuværende temperatur i 2 sekunder, hvis konvektoren var tændt når strømmen afbrødes.
- To tal (01÷96) i kombination med en blinkende gul lysdiode som viser den resterende tid i timer indtil den forsinkede start, hvis konvektoren var i driftsmåde "Forsinket start" når strømmen afbrødes.
- For yderligere energibesparing sænker den elektroniske termostat lysstyrken af alle indikatorer. Når man

trykker på en knap øges lysstyrken i 8 sekunder og derefter sænkes igen.

- g. Hvis der vises "t0" eller "t1" på displayet betyder det at det selvdiagnosticerende system har registreret et problem i termosensoren. "t0" vises ved et ødelagt sensorkabel og "t1" ved en kortslettet sensor. I dette tilfælde slukkes den elektriske konvektor og den kan tændes igen når fejlen er fjernet. Fejlen skal fjernes af en kvalificeret specialist.
- h. Når konvektoren tilsluttes elforsyningen vises der på displayet i op til 2 sekunder streger "----" i stedet for temperatur eller tid.
- i. Når på det digitale display vises temperaturen lyser "LED som indikerer temperatur". Når der vises tiden indtil den forsinkede start, lyser "LED som indikerer tid".

SIKRING

- Apparatet er udstyret med en sikkerhedstermostat, der automatisk slukker varmelegemet, i tilfælde at temperaturen i konvektoren stiger over de tilladte værdier /dvs. overopvarming af apparatet/.
- Sikkerhedstermostaten genstarter konvektoren automatisk, først efter apparatets temperatur er faldet under de tilladte grænseværdier.

RENGØRING

- Sluk altid for apparatet ved hjælp af afbryderen og lad den køle af ved at tage stikket ud før rengøring.
- For at rengøre konvektorens bagside skal du bare trykke på de "P"-formede beslag /fig. 2/ på apparatets bagside, så får du fri adgang til den og kan rengøre den.
- Rengør kabinettet med en fugtig klud, støvsuger eller børste.
- Apparatet må aldrig nedsænkes i vand – det er livsfarligt pga. risiko for elektrisk stød!
- Brug aldrig benzin, fortynder eller stærkt slibende rengøringsmidler, da de vil beskadige apparatets overflade.

OPBEVARING

- Før opbevaring skal du lade konvektoren køle af ved at trække stikket ud af kontakten.
- Hvis du ikke skal bruge konvektoren i længere tid, skal du opbevare den i originalindpakningen. Dette vil beskytte den mod støv og smuds.
- Læg aldrig et varmt apparat i indpakningen!
- Produktet skal opbevares på et tørt sted, beskyttet mod direkte sollys.
- Det er udtrykkeligt forbudt at opbevare det i våde eller fugtige rum.

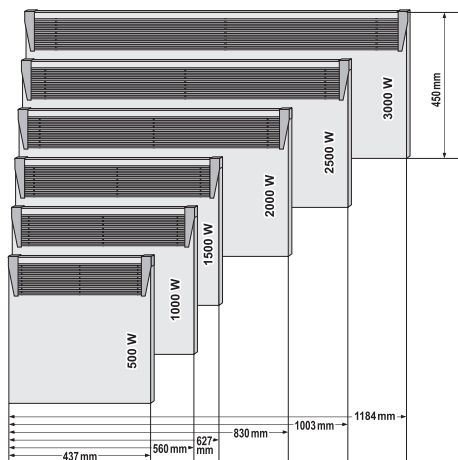
VEDLIGEHOLDELSE

- I tilfælde af fejl på apparatet bedes du kontakte dit nærmeste autoriserede servicecenter /angivet i produktets garantikort/.
- Vigtigt:** I tilfælde af reklamation eller overtrædelse af dine forbrugerrettigheder skal du kontakte apparatets leverandør på de angivne adresser eller via firmaets hjemmeside: www.tesy.com

APPARATETS DIMENSIONER, OPVARMET VOLUMEN OG

Model	Opvarmet volumen	Opvarmet areal
CN 03 050 EIS W - 500W	10* - 15 m ³	4* - 6 m ²
CN 03 100 EIS W - 1000W	20* - 30 m ³	8* - 12 m ²
CN 03 150 EIS W - 1500W	30* - 45 m ³	12* - 18 m ²
CN 03 200 EIS W - 2000W	40* - 60 m ³	16* - 24 m ²
CN 03 250 EIS W - 2500W	50* - 70 m ³	20* - 28 m ²
CN 03 300 EIS W - 3000W	60* - 80 m ³	24* - 32 m ²

* Minimum garanteret opvarmet volumen (areal) til opvarmning ved en gennemsnitlig varmeledningskoefficient på $\lambda = 0,5 \text{ W} / (\text{m}^2\text{K})$ for de opvarmede rum. De højere værdier for det opvarmede volumen (areal) opnås ved en gennemsnitlig værdi på $\lambda = 0,35 \text{ W} / (\text{m}^2\text{K})$. Standard loftshøjde – 2,5 meter.



Advarsel: For at undgå overopvarmning må du ikke tildække apparatet!



Anvisninger om beskyttelse af miljøet

Gamle husholdningsapparater indeholder værdifulde materialer, og derfor må man ikke smide dem ud sammen med det almindelige husholdningsaffald! Vi beder dig om at yde dit bidrag til beskyttelse af miljøet og aflevere apparatet til en genbrugsplads (hvis der er nogen i nærheden), når du er færdig med at bruge det.

TABEL 2: INFORMATIONSKRAV FOR ELEKTRISKE PRODUKTER TIL LOKAL RUMOPVARMNING

Modelidentifikation(er): 1.CN03 050 EIS W; 2.CN03 100 EIS W; 3.CN03 150 EIS W; 4.CN03 200 EIS W; 5.CN03 250 EIS W; 6.CN03 300 EIS W 230V~ 50Hz

Element	Symbol	Værdi 1	Værdi 2	Værdi 3	Værdi 4	Værdi 5	Værdi 6	Enhed	Element	Enhed
Varmeydelse									Type varmetilførsel, kun for elektriske akkumulerende produkter til lokal rumopvarmning (vælg en type)	
Nominal varmeydelse	P_{nom}	0.50	1.00	1.50	2.00	2.50	3.00	kW	Manuel varmelagringsstyring med integreret termostat	[nej]
Mindste varmeydelse (vejledende)	P_{min}	0.00	0.00	0.00	0.00	0.00	0.00	kW	"Manuel varmelagringsstyring med indendørs og/eller udendørs temperaturmåling"	[nej]
Maksimal kontinuerlig varmeydelse	$P_{max,C}$	0.50	1.00	1.50	2.00	2.50	3.00	kW	Elektronisk varmelagringsstyring med indendørs og/eller udendørs temperaturmåling	[nej]
Supplerende strømforbrug									Varmeblæser	[nej]
Ved nominal varmeydelse	e_{lmax}	0.43	0.93	1.44	1.91	2.45	2.91	kW	Type varmeydelse/rumtemperaturstyring (vælg en type)	-
Ved mindste varmeydelse	e_{lmin}	0.00	0.00	0.00	0.00	0.00	0.00	kW	Ét-trinsvarmeydelse uden rumtemperaturstyring	[nej]
I standbytilstand el SB					0.00033			kW	To eller flere manuelle trin uden rumtemperaturstyring	[nej]
									Med mekanisk rumtemperaturstyring	[nej]
									Med elektronisk rumtemperaturstyring	[nej]
									Elektronisk rumtemperaturstyring og døgtimer	[nej]
									Elektronisk rumtemperaturstyring og ugetimer	[ja]
									Andre styringsmuligheder (flere muligheder kan vælges)	[nej]
									Rumtemperaturstyring med bevægelsessensor	[nej]
									Rumtemperaturstyring med temperaturfaldsensor	[nej]
									Med telestyringsoption	[nej]
									Med adaptiv startstyring	[ja]
									Med drifttidsbegrænsning	[nej]
									Med sort globe-sensor	[nej]

TESY Ltd
48 Madara Blvd,
Shumen, 9700,
Bulgaria

! Διαβάστε αυτές τις οδηγίες πριν τη χρήση αυτού του προϊόντος και διατηρήστε τις για μελλοντική χρήση. Σε περίπτωση που η ηλεκτρική συσκευή αλλάξει ιδιοκτησία, οι οδηγίες χρήσης πρέπει να παραχωρηθούν στο νέο ιδιοκτήτη μαζί με τη συσκευή!

Σας ευχαριστούμε που επιλέξατε το θερμοπομπό CN03. Αυτή η συσκευή παρέχει θέρμανση το χειμώνα ανάλογα με τις ανάγκες, για να επιτευχθεί μια άνετη θερμότητα στο θερμαινόμενο χώρο. Σε περίπτωση σωστής λειτουργίας και περιθαλψής, όπως περιγράφεται σ' αυτές τις οδηγίες, η συσκευή θα παρέχει μια χρήσιμη λειτουργία για πολλά χρόνια.

ΣΗΜΑΝΤΙΚΕΣ ΠΡΟΦΥΛΑΞΕΙΣ ΚΑΙ ΟΔΗΓΙΕΣ ΑΣΦΑΛΕΙΑΣ:

! Πρέπει να κρατάτε μακριά παιδιά κάτω των 3 ετών, εκτός εάν τα επιτηρείτε συνεχώς. Παιδιά ηλικίας από 3 έως 8 ετών μπορούν να χρησιμοποιούν το διακόπτη on/off της συσκευής, υπό την προϋπόθεση ότι η συσκευή έχει εγκατασταθεί και είναι έτοιμη για κανονική λειτουργία και τα παιδιά επιτηρούνται και γνωρίζουν τις οδηγίες ασφαλούς χρήσης, κατανοώντας ότι η αμέλεια αποτελεί κίνδυνο.

Παιδιά ηλικίας από 3 έως 8 ετών δεν θα πρέπει να συνδέουν τη συσκευή στην πρίζα, να την ρυθμίζουν, να την καθαρίζουν ή να εκτελούν εργασίες συντήρησης.

Αυτή η συσκευή μπορεί να χρησιμοποιηθεί από παιδιά ηλικίας 8 ετών και πάνω και από άτομα με περιορισμένες σωματικές, αισθητήριες ή διανοητικές ικανότητες ή από άτομα χωρίς εμπειρία και γνώση, με την προϋπόθεση ότι τη χρησιμοποιούν υπό επιτήρηση ή ότι έχουν λάβει οδηγίες σχετικά με την ασφαλή χρήση της συσκευής και κατανοούν τους ενεχόμενους κινδύνους. Τα παιδιά δεν πρέπει να παίζουν με τη συσκευή. Τα παιδιά δεν πρέπει να καθαρίζουν και να συντηρούν τη συσκευή χωρίς επιτήρηση.

! Ορισμένα μέρη του προϊόντος αυτού μπορούν να γίνουν επικίνδυνα ζεστά και να προκαλέσουν εγκαύματα. Σε χώρους όπου παρίστανται παιδιά και ευάλωτα άτομα, θα πρέπει να δοθεί ιδιαίτερη προσοχή.

- Πριν ενεργοποιήσετε τη συσκευή - βεβαιωθείτε ότι η τάση του οικιακού σας δικτύου αντιστοιχεί σε εκείνη που αναγράφεται στην ταμπέλα της συσκευής.
- Η συσκευή αυτή προορίζεται αποκλειστικά και μόνο για τη χρήση για την οποία έχει σχεδιαστεί, δηλ. για οικιακή χρήση (θέρμανση χώρων διαβίωσης). Δεν προορίζεται για εμπορική χρήση. Οποιαδήποτε άλλη χρήση θα πρέπει να θεωρείται ακατάλληλη και συνεπώς επικίνδυνη. Ο κατασκευαστής δεν μπορεί να θεωρηθεί υπεύθυνος για τυχόν ζημιές που μπορεί να προκληθούν από ακατάλληλη, λανθασμένη και αλόγιστη χρήση. Εάν δεν τηρηθούν όλες οι οδηγίες για την ασφάλεια, θα ακυρωθεί η εγγύηση της συσκευής που παρέχεται!
- Μην φύγετε από το σπίτι, ενώ η συσκευή είναι αναμμένη: βεβαιωθείτε ότι ο διακόπτης ισχύος είναι στη θέση OFF(0) (εκτός λειτουργίας). (αφορά τους θερμοπομπούς με μηχανικό έλεγχο).
- Κρατάτε το θερμοπομπό σε απόσταση τουλάχιστον 100 εκατοστών μακριά από εύφλεκτα υλικά συμπεριλαμβανομένων επίπλων, μαξιλαριών, κλινισκεπασμάτων, χαρτιού, ρούχων, κουρτινών κλπ.
- Να μην χρησιμοποιείτε τη συσκευή σε χώρους όπου χρησιμοποιούνται ή αποθηκεύονται εύφλεκτα υλικά (π.χ. κοντά σε εύφλεκτα αέρια και αερολύματα) - υπάρχει πολύ μεγάλος κίνδυνος έκρηξης και πυρκαγιάς!
- Μην παρεμβάλετε ξένα αντικείμενα μέσω ανοιγμάτων και οπών αερισμού (εισερχόμενα ή εξερχόμενα), επειδή αυτό μπορεί να προκαλέσει ηλεκτροπληξία, πυρκαγιά ή βλάβη στο θερμοπομπό.
- Η συσκευή δεν είναι κατάλληλη για εκτροφή ζώων

και προορίζεται μόνο για οικιακή χρήση!

- Μην σκεπάζετε τις προστατευτικές γρίλιες, μην μπλοκάρετε την είσοδο και την έξοδο της ροής αέρα καθώς τοποθετείτε τη συσκευή έναντι μιας επιφάνειας. Κρατάτε όλα τα αντικείμενα σε απόσταση τουλάχιστον 1 μέτρου από το μπροστινό μέρος και τις πλευρές της συσκευής.
- Η πιο συνηθισμένη αιτία υπερθέρμανσης είναι η σκόνη και το χνούδι που συσσωρεύονται μέσα στη συσκευή. Τακτικά σκουπίζετε τους αεραγωγούς με ηλεκτρική σκούπα, αφού πρώτα υποχρεωτικά αποσυνδέσετε τη συσκευή από το ηλεκτρικό δίκτυο.
- Ποτέ μην αγγίζετε τη συσκευή με υγρά και βρεγμένα χέρια – υπάρχει κίνδυνος για τη ζωή!
- Η πρίζα πρέπει να είναι ανά πάσα στιγμή προσβάσιμη για να μπορεί το βύσμα να τραβηχτεί κατά ανάγκη όσο δυνατόν γρηγορότερα! Ποτέ μην τραβάτε το καλώδιο τροφοδοσίας ή την ίδια την συσκευή για να βγάλετε το φις από την πρίζα του ρεύματος.
- Προσοχή! Ο εξερχόμενος αέρας θερμαίνεται κατά τη διάρκεια της λειτουργίας (έως και πάνω από 100°C).
- Αν το καλώδιο τροφοδοσίας παρουσιάσει φθορές, σταματήστε τη χρήση του και απευθυνθείτε στον προμηθευτή/ πωλητή για πρόσθετες οδηγίες.
- Αν αποφασίσετε να σταματήσετε να χρησιμοποιείτε τη συσκευή αυτού του τύπου, συνιστάται να καταστεί άχρηστο καθώς κόψετε το καλώδιο, αφού το έχετε αποσυνδέσει από το δίκτυο. Συνιστάται ακόμα να προστατευθείτε από όλους τους κινδύνους που συνδέονται με τη συσκευή, ειδικά για χάριν των παιδιών που θα μπορούσαν να χρησιμοποιήσουν την παλιά συσκευή ως παιχνίδι.
- Η συσκευή δεν πρέπει να τοποθετείται ακριβώς κάτω από σταθερή πρίζα!
- Προσοχή! Μην χρησιμοποιείτε τη συσκευή με έναν προγραμματιστή, χρονοδιακόπτη ή οποιαδήποτε άλλη συσκευή που την ανάβει αυτόματα, εφόσον υπάρχει κίνδυνος πυρκαγιάς εάν η συσκευή καλύπτεται ή είναι λανθασμένα τοποθετημένη.
- Τοποθετείτε το καλώδιο τροφοδοσίας έτσι ώστε να μην εμποδίζει το ελεύθερο πέρασμα των προσώπων και να μην πατιέται! Χρησιμοποιείτε μόνο εγκεκριμένα καλώδια τροφοδοσίας (πολύπριζο), κατάλληλα για την συσκευή, δηλ. που έχουν σήμα πιστότητας!
- Ποτέ μην μετακινείτε τη συσκευή καθώς την τραβάτε από το καλώδιο και μην χρησιμοποιείτε το καλώδιο για να μεταφέρετε αντικείμενα!
- Μην λυγίζετε το καλώδιο ρεύματος και κρατάτε το μακριά από αιχμηρές άκρες. Μη τοποθετείτε τη συσκευή πάνω σε ζεστές επιφάνειες ή γυμνές φλόγες!

ΣΥΣΚΕΥΑΣΙΑ


- Μετά την αφαίρεση της συσκευασίας, βεβαιωθείτε ότι η συσκευή δεν έχει υποστεί βλάβη κατά τη μεταφορά και εάν είναι πλήρως εξοπλισμένη. Σε περίπτωση ελλιπούς παράδοσης ή ελαττώματος,

επικοινωνήστε με τον εξουσιοδοτημένο πωλητή Σας!

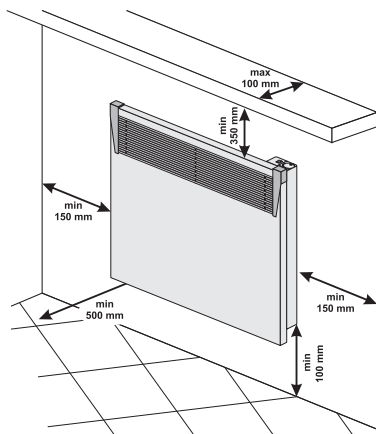
- Μην πετάτε τη γνήσια αρχική συσκευασία! Αυτή θα μπορούσε να χρησιμοποιηθεί για την αποθήκευση και τη μεταφορά για την αποφυγή ζημιών κατά τη μεταφορά!
- Απορρίψτε το υλικό συσκευασίας του προϊόντος με οικολογικά υπεύθυνο τρόπο! Μην επιτρέψτε στα παιδιά να παίζουν με πλαστικές σακούλες!

ΟΔΗΓΙΕΣ ΕΓΚΑΤΑΣΤΑΣΗΣ

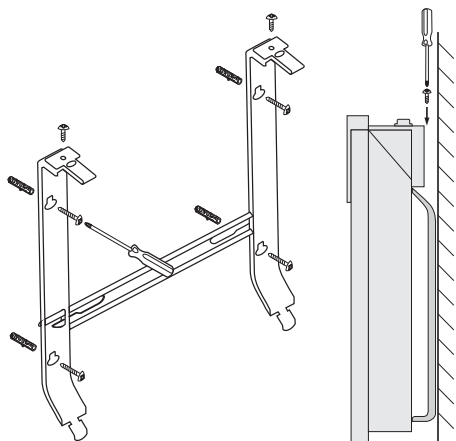
- Αυτός ο θερμοπομπός είναι σχεδιασμένος για χρήση σε εσωτερικούς χώρους και τοποθέτηση στον τοίχο.

 **Σημείωση:** Σε χώρους με όγκο πάνω από 45 m³ συνιστάται η χρήση ενός συνδυασμού 2 ή περισσότερων θερμοπομπών.

- Μην τοποθετείτε το θερμοπομπό κάτω από ηλεκτρική πρίζα ή κουτί σύνδεσης.
- Μην τοποθετείτε/ χρησιμοποιείτε το θερμοπομπό
 1. σε χώρο όπου υπάρχει ρεύμα αέρα, έτσι ώστε να μην επηρεάζονται οι ρυθμίσεις ελέγχου
 2. ακριβώς κάτω από ηλεκτρική πρίζα;
 3. στο χώρο 1 (volume 1) για μάνια;
 4. στο χώρο 2 (volume 2), εάν ο πίνακας ελέγχου μπορεί να είναι προσβάσιμος από κάποιον που βρίσκεται μέσα στην μπανιέρα ή κάτω από το ντους.
- Για την εγκατάσταση του θερμοπομπού στον τοίχο θα πρέπει να χρησιμοποιούνται μόνο τα στηρίγματα τοίχου που παρέχονται μαζί με το convecter. Κατά την εγκατάσταση του θερμοπομπού πρέπει να τηρηθούν οι ελάχιστες αποστάσεις από τη συσκευή



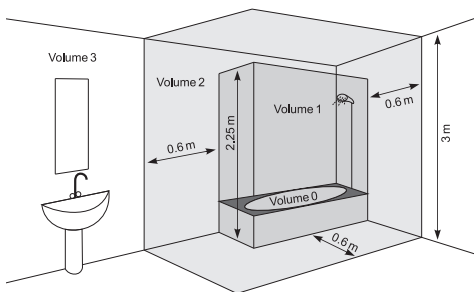
- Πρώτα, αφαιρέστε τα στηρίγματα τοίχου από το πίσω περιβλήμα. Ξεβιδώστε τις δύο βίδες, που βρίσκονται στο πάνω μέρος των δύο κάθεταιν ραβδών των στηριγμάτων τοίχου. Στη συνέχεια, τραβήξτε το επάνω μέρος της ράβδου, πιέζοντας έντονα τα δύο άνω τμήματα που μπαίνουν στο οπίσθιο περιβλήμα.



- Σύρτε προς τα κάτω το στήριγμα τοίχου για να το αφαιρέσετε από το οπίσθιο περίβλημα.
- Προσαρτήστε σταθερά στον τοίχο το στήριγμα τοίχου μέσω των τεσσάρων τρυπών για τις βίδες.
- Ανασηκώστε το θερμοπομπό σχεδόν σε κατακόρυφη θέση και τοποθετήστε τα δύο κάτω μέρη των στηριγμάτων τοίχου που προεξέχουν στις δύο κάτω αυλακώσεις στο πίσω κάλυμμα του θερμοπομπό. Στη συνέχεια, ανασηκώστε το θερμοπομπό και τοποθετήστε τα δύο άνω μέρη των στηριγμάτων τοίχου που προεξέχουν στις δύο άνω αυλακώσεις στο πίσω κάλυμμα του θερμοπομπό. Τέλος, τοποθετήστε πίσω στη θέση τους και σφίξτε τις δύο βίδες για να στερεώσετε καλά τον θερμοπομπό στον τοίχο.

ΧΡΗΣΗ ΣΕ ΜΠΑΝΙΟ

- Ο θερμοπομπός πρέπει να εγκατασταθεί σύμφωνα με τις συνηθισμένες εμπορικές πρακτικές και σύμφωνα με τους νόμους της χώρας (σύμφωνα με τις οδηγίες για την ηλεκτρική ενέργεια της ΕΚ και τις απαιτήσεις για εγκαταστάσεις σε χώρους με ειδικές ανάγκες ασφάλειας (μπάνια, ντουζιέρες) HD60364-7-701 (IEC 60364-7-701 : 2006)).



- Σε περίπτωση που η συσκευή αυτή θα χρησιμοποιείται στο μπάνιο ή σε κάποιο άλλο ειδικό χώρο, πρέπει να τηρηθούν οι εξής απαιτήσεις εγκατάστασης: Ο θερμοπομπός έχει βαθμό προστασίας IP24 (προστασία από την επαφή με τις σταγόνες). Για τον

λόγο αυτό η συσκευή πρέπει να εγκατασταθεί στο χώρο 2 (volume 2)(βλέπετε το διάγραμμα παρακάτω), έτσι ώστε να αποφευχθεί κάθε ενδεχόμενο ένα άτομο που βρίσκεται στην μπανιέρα ή το ντους να έρθει σε επαφή με τον πίνακα ελέγχου (όπου βρίσκονται ο διακόπτης, ο θερμοστάτης κ.ά.) Η συσκευή πρέπει να απέχει τουλάχιστον 1 μέτρο από κάθε πηγή νερού και να εγκατασταθεί υποχρεωτικά στον τοίχο. Αν δεν είστε σίγουροι για το πώς να εγκαταστήσετε τον θερμοπομπό αυτό στο μπάνιο, σας συστήνουμε να συμβουλευτείτε έναν επαγγελματία ηλεκτρολόγο.

Σημείωση: εάν δεν μπορούν να τηρηθούν οι προαναφερθέντες όροι, συστήνεται η εγκατάσταση να πραγματοποιηθεί σε χώρο 3 (VOLUME 3).

- Σε υγρούς χώρους και χώρους υψηλής υγρασίας (μπάνια, κουζίνες) η πηγή τροφοδοσίας πρέπει να τοποθετηθεί σε ελάχιστο ύψος 25 cm από το δάπεδο.
- Η εγκατάσταση πρέπει να είναι εξοπλισμένη με αυτόματη ασφάλεια και η απόσταση της επαφής όταν είναι εκτός λειτουργίας θα πρέπει να είναι τουλάχιστον 3 mm.

ΟΔΗΓΙΕΣ ΛΕΙΤΟΥΡΓΙΑΣ

ΗΛΕΚΤΡΟΝΙΚΟΣ ΕΛΕΓΧΟΣ

Τρόποι λειτουργίας

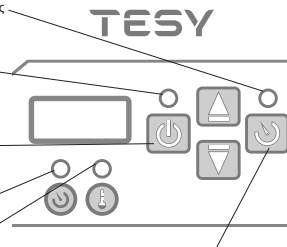
Ενδεικτική λυχνία LED λειτουργίας «Καθυστερημένης εκκίνησης» / Λειτουργία «Προγραμματισμού»

Ενδεικτική λυχνία LED της λειτουργίας «Θέρμανσης» / Ενεργοποιημένος θερμαντήρας

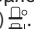
Πλήκτρο ενεργοποίησης / απενεργοποίησης

Ενδεικτική λυχνία LED χρονοδιακόπτη

Ενδεικτική λυχνία LED θερμοκρασίας



Πλήκτρο «Χρονοδιακόπτη» για την ενεργοποίηση της λειτουργίας «Καθυστερημένης εκκίνησης» ή της λειτουργίας «Προγραμματισμού»

Ενεργοποιήστε το θερμοπομπό, πατήστε το κλειδί στη θέση «I» (Ενεργοποιημένος) .

Ρύθμιση του ρολογιού

Η ρύθμιση του ρολογιού είναι δυνατή μόνο σε λειτουργία απενεργοποίησης - ρυθμίζονται η τρέχουσα ημέρα της εβδομάδας, η ώρα και τα λεπτά.

Για να μπειτε στη ρύθμιση του ρολογιού πρέπει να πατήσετε ταυτόχρονα τα πλήκτρα «ON/OFF» και το «Timer». Η παράμετρος που ρυθμίζεται πάλλεται στην οθόνη. Η επιλογή της παραμέτρου ρύθμισης πραγματοποιείται με σύντομο πάτημα του κουμπιού «Timer». Για να βγείτε από τη ρύθμιση πρέπει να πατήσετε σύντομα για τρίτη φορά το πλήκτρο «Timer» (μετά τη ρύθμιση των λεπτών).

Η ρύθμιση αρχίζει με μια μέρα της εβδομάδας από 1 έως 7 ανάλογα με το ποια είναι η τρέχουσα κατά σειρά ημέρα της εβδομάδας και ρυθμίζεται με το αντίστοιχο ψηφίο. Οι ώρες και τα λεπτά εμφανίζονται ταυτόχρονα στην οθόνη, καθώς αλλάζει μόνο η παραμέτρος ρύθμισης. Η αλλαγή της τιμής της παραμέτρου πραγματοποιείται με τα κουμπιά ▲ και ▼.

Αν δεν πατηθεί κανένα κουμπί μέσα σε 10 δευτερόλεπτα, θα βγειτε από τη ρύθμιση.

Ενεργοποίηση της λειτουργίας «Θέρμανση»

Όταν ο θερμοπομπός πάνελ είναι απενεργοποιημένος, στην ψηφιακή οθόνη πρέπει να εμφανιστεί η θερμοκρασία δωματίου και να ανάβει μόνο η «ενδεικτική λυχνία LED της θερμοκρασίας». Πατώντας μια φορά το πλήκτρο «On/Off» περνάτε στη λειτουργία «Θέρμανση». Τότε ανάβει η κόκκινη λυχνία LED που υποδεικνύει αυτή τη λειτουργία. Για περίπου 2 δευτερόλεπτα, η ρυθμισμένη θερμοκρασία εμφανίζεται στην ψηφιακή οθόνη και για την περίοδο αυτή δεν ανάβει η «ενδεικτική λυχνία LED της θερμοκρασίας». Αν η θερμοκρασία δωματίου είναι μικρότερη από τη ρυθμισμένη θερμοκρασία, ο θερμοαντήρας ενεργοποιείται αυτόματα.

Όταν ο θερμοαντήρας είναι ενεργοποιημένος η κόκκινη λυχνία LED ανάβει συνεχώς!

Ρύθμιση της θερμοκρασίας

Πατώντας κάποιο από τα πλήκτρα ▲ ή ▼ περνάτε στη λειτουργία «Αλλαγή της καθορισμένης θερμοκρασίας». Η οθόνη αρχίζει να αναβοσβήνει και εμφανίζεται η θερμοκρασία που έχει ρυθμιστεί μέχρι στιγμής. Με τα επόμενα πατήματα των πλήκτρων αλλάζετε τη ρύθμιση στην επιθυμητή κατεύθυνση. Εάν μέσα σε 5 δευτερόλεπτα δεν πατηθεί άλλο κουμπί, η νέα ρύθμιση αποθηκεύεται και η μονάδα μεταβαίνει αυτόματα στη λειτουργία «Θέρμανση». Αν κάποιο από τα κουμπιά ▲ ή ▼ κρατηθεί για περισσότερο από 0,7 δευτερόλεπτα, η τιμή της καθορισμένης θερμοκρασίας αρχίζει αυτόματα να αυξάνεται ή να μειώνεται με ρυθμό 4 μονάδες ανά δευτερόλεπτο. Τα όρια ρύθμισης της καθορισμένης θερμοκρασίας είναι από 10 έως 30 βαθμούς.

«Καθυστερημένη εκκίνηση» της ενεργοποίησης του θερμοπομπού πάνελ.


Όταν ο θερμοπομπός βρίσκεται σε λειτουργία «OFF», πατώντας το πλήκτρο «Χρονοδιακόπτης» μπορείτε να εισάγετε χρόνο και στη συνέχεια να μεταβείτε αυτόματα στη λειτουργία «Θέρμανση». Αυτή η λειτουργία υποδεικνύεται από μια κίτρινη ενδεικτική λυχνία που αναβοσβήνει και μια κόκκινη ενδεικτική λυχνία που είναι σβηστή. Στη ψηφιακή οθόνη θα εναλλάσσονται οι ενδείξεις της θερμοκρασίας περιβάλλοντος, όταν είναι αναμμένη η ενδεικτική λυχνία «LED θερμοκρασίας» και η ένδειξη του υπολειπόμενου χρόνου σε ώρες μέχρι να ενεργοποιηθεί η λειτουργία «Θέρμανση», όταν είναι αναμμένη η ενδεικτική λυχνία «LED χρόνου». Αμέσως

μετά την ενεργοποίηση της λειτουργίας αυτής, η κίτρινη ενδεικτική λυχνία LED ανάβει και η οθόνη αρχίζει να αναβοσβήνει καθώς απεικονίζεται ο χρόνος που καθορίζεται σε ώρες μέχρι να ενεργοποιηθεί ο θερμοπομπός. Αρχικά εμφανίζεται ώρα 12, και πατώντας τα πλήκτρα ▲ ή ▼ μπορείτε να αλλάζετε την ώρα στην επιθυμητή κατεύθυνση. Αν κάποιο από τα κουμπιά ▲ ή ▼ κρατηθεί για περισσότερο από 0,7 δευτερόλεπτα, η τιμή χρόνου αρχίζει αυτόματα να αυξάνεται ή να μειώνεται με ρυθμό 4 μονάδες ανά δευτερόλεπτο. Εάν μέσα σε 5 δευτερόλεπτα δεν πατήσετε άλλο πλήκτρο ή πατήσετε το πλήκτρο «Χρονοδιακόπτης», ο ρυθμιστής μεταβαίνει σε λειτουργία «Καθυστερημένη εκκίνηση». Αν εισάγετε χρόνο 00, η λειτουργία δεν εκτελείται. Εάν εκτελείται ήδη η λειτουργία «Καθυστερημένη εκκίνηση» και πατήσετε ξανά το πλήκτρο «Χρονοδιακόπτης» μπορεί να διορθωθεί ο χρόνος που απομένει στις δύο πιθανές κατευθύνσεις. Αφού ρυθμίσετε το χρόνο, περνάτε σε λειτουργία «Καθυστερημένη εκκίνηση», καθώς στην οθόνη εκτός από τη θερμοκρασία εμφανίζονται οι υπόλοιπες ώρες μέχρι να μεταβείτε σε λειτουργία «Θέρμανση». Μπορείτε να βγείτε από τη λειτουργία αυτή πατώντας το πλήκτρο «On/Off». Τότε ο θερμοπομπός θα μεταβεί στη λειτουργία «Θέρμανση». Η «Καθυστερημένη εκκίνηση» μπορεί να ρυθμίζεται από 01 έως 96 ώρες.

Απενεργοποίηση της λειτουργίας «Θέρμανση»

Μπορείτε να βγείτε από τη λειτουργία «Θέρμανση» πατώντας το πλήκτρο «On/Off». Στη συνέχεια, ο θερμοαντήρας απενεργοποιείται, αν έχει ενεργοποιηθεί πριν, η κόκκινη ενδεικτική λυχνία σβήνει. Στην οθόνη συνεχίζει να εμφανίζεται η θερμοκρασία δωματίου.

Αντιπαγετική λειτουργία

Εάν η θερμοκρασία στο χώρο πέσει κάτω από 5 βαθμούς και ο θερμοπομπός είναι απενεργοποιημένος (η κόκκινη ενδεικτική λυχνία δεν ανάβει, αλλά ο μηχανικός διακόπτης βρίσκεται στη θέση «I» (Ενεργοποιημένος) ) , ο θερμοαντήρας θα ενεργοποιηθεί αυτόματα με σκοπό την προστασία από τον παγετό.



Η ρύθμιση της θερμοκρασιακής διόρθωσης του αισθητήρα θερμοκρασίας δεν ισχύει για τη λειτουργία αυτή.

Ενεργοποίηση και απενεργοποίηση της λειτουργίας:


- η λειτουργία είναι ενεργοποιημένη κατά τις εργοστασιακές ρυθμίσεις
- αν θέλετε να απενεργοποιήσετε τη λειτουργία – ο θερμοπομπός βρίσκεται σε λειτουργία «Απενεργοποίησης», πατώντας το πλήκτρο ▲ και το πλήκτρο «On/Off» για τρία δευτερόλεπτα – στην οθόνη αρχίζει να αναβοσβήνει το «ON», πατώντας το πλήκτρο ▼ θα φτάσετε στη θέση «OFF», περιμένετε 3 δευτερόλεπτα και η λειτουργία αυτόματα θα μεταβεί στη λειτουργία «OFF».

- αν θέλετε ξανά να ενεργοποιήσετε τη λειτουργία - ο θερμοπομπός βρίσκεται σε λειτουργία «Απενεργοποίησης», πατώντας το πλήκτρο ▲ και το πλήκτρο «On/Off» για τρία δευτερόλεπτα - στην οθόνη αρχίζει να αναβοσβήνει το «OFF», πατώντας το πλήκτρο ▼ θα φτάσετε στη θέση «ON», περιμένετε 3 δευτερόλεπτα και η λειτουργία αυτόματα θα μεταβεί στη λειτουργία «ON».

Λειτουργία θερμοκρασιακής διόρθωσης του αισθητήρα θερμοκρασίας

Λόγω της ιδιαιτερότητας του προφίλ της θερμοκρασίας στους διάφορους χώρους, μπορεί να υπάρχει μια διαφορά από τη θερμοκρασία που εμφανίζεται στην οθόνη και την πραγματική μετρούμενη θερμοκρασία στα διάφορα σημεία της θερμαντικής συσκευής στο δωμάτιο.


- Δείτε τη θερμοκρασία που εμφανίζεται στην οθόνη της συσκευής.
- Μετρήστε τη θερμοκρασία σε μια θέση όπου η θερμοκρασία είναι αρκετά «άνετη» για σας (συνήθως σε ύψος περίπου 60 cm από το πάτωμα, σε καθιστή θέση). Αν διαπιστωθεί κάποια διαφορά στο εύρος $\pm 4^{\circ}\text{C}$, μπορείτε να ρυθμίσετε την αναγκαία διόρθωση στο μενού του θερμοπομπού (Σημαντική προϋπόθεση - η λειτουργία μπορεί να ρυθμίζεται μόνο μετά τη θέρμανση του θερμαινόμενου χώρου - ανάλογα με τον τύπο χώρου ο ελάχιστος χρόνος είναι 7 ώρες) με τη διαφορά μεταξύ της ένδειξης του θερμοπομπού και της μετρούμενης θερμοκρασίας.

 **Σημείωση:** Αυτή η λειτουργία χρησιμοποιείται με σκοπό την καλύτερη άνεση θερμοκρασίας και εξοικονόμηση ενέργειας για τον χρήστη του ηλεκτρικού θερμοπομπού στο χώρο όπου βρίσκεται. Μεγαλύτερη διαφορά από $\pm 4^{\circ}\text{C}$ της μετρούμενης θερμοκρασίας στην επιθυμητή θέση στο δωμάτιο, σημαίνει ότι το δωμάτιο στο οποίο χρησιμοποιείτε το θερμοπομπό δεν είναι σωστά μονωμένο ή δεν είναι καλά θερμαινόμενο.

Παράδειγμα: Ένας θερμοπομπός που είναι τοποθετημένος σε χώρο σε πέτρινο δάπεδο - ενδείξεις του θερμοπομπού 18°C (με προκαθορισμένη θερμοκρασία 22°C), μετρούμενη πραγματική θερμοκρασία (αισθάνεται ότι η άνετη θερμοκρασία έχει επιτευχθεί) 22°C σε ύψος 60 cm από το δάπεδο -> σε αυτήν την περίπτωση, ο θερμοπομπός συνεχίζει να θερμαίνει το χώρο περισσότερο απ' όσο πρέπει (αυτή είναι άμεση απώλεια ενέργειας, αλλά ο θερμοπομπός δεν μπορεί να φτάσει τη ρυθμισμένη θερμοκρασία αφού μετράει τη θερμοκρασία χαμηλά κάτω στο πάτωμα) και ποτέ δεν θα απενεργοποιηθεί. Είναι αναγκαία να ρυθμιστεί θερμοκρασιακή διόρθωση $+ 4^{\circ}\text{C}$ του αισθητήρα - σε αυτή την περίπτωση, ο θερμοπομπός θα δείξει 22°C και θα αρχίσει να απενεργοποιείται - καθώς θα διατηρεί τη ρυθμισμένη θερμοκρασία των 22°C .

Η κανονική κατάσταση της λειτουργίας είναι 0°C κατά τις εργοστασιακές ρυθμίσεις

- αν θέλετε να αλλάξετε την τιμή - ο θερμοπομπός βρίσκεται σε κατάσταση «Απενεργοποίησης», πατώντας το πλήκτρο ▼ και το πλήκτρο «On/Off» για τρία δευτερόλεπτα - στην οθόνη αρχίζει να αναβοσβήνει το 0°C . Μπορείτε να πατήσετε το πλήκτρο ▼ ή το πλήκτρο ▲ για να φτάσετε το εύρος $\llcorner 4^{\circ}\text{C}$ έως $\llcorner 4^{\circ}\text{C}$, περιμένετε 3 δευτερόλεπτα και η λειτουργία θα αποθηκευτεί αυτόματα.
- Όταν θέλετε να ελέγξετε τη διόρθωση που έχει ρυθμιστεί - ο θερμοπομπός βρίσκεται σε κατάσταση «Απενεργοποίησης», πατώντας το πλήκτρο ▼ και το πλήκτρο «On/Off» για τρία δευτερόλεπτα - στην οθόνη αρχίζει να αναβοσβήνει η ρυθμισμένη θερμοκρασία. Μπορείτε να πατήσετε το πλήκτρο ▼ ή το πλήκτρο ▲, για να καθορίσετε νέα τιμή στο εύρος $\llcorner 4^{\circ}\text{C}$ έως $\llcorner 4^{\circ}\text{C}$.

 **Σημείωση:** Μετά τη λειτουργία επαναφοράς εργοστασιακών ρυθμίσεων - θα πρέπει να ρυθμίσετε εκ νέου τη διόρθωση της θερμοκρασίας, η προεπιλεγμένη τιμή είναι 0°C .

Προσαρμοστική εκκίνηση


- ο προσαρμοστικός έλεγχος εκκίνησης είναι μια λειτουργία που προβλέπει και εκκινεί τη βέλτιστη έναρξη της θέρμανσης για να επιτευχθεί η ρυθμισμένη θερμοκρασία στην επιθυμητή ώρα
- η λειτουργία είναι ενεργοποιημένη κατά τις προεπιλεγμένες εργοστασιακές ρυθμίσεις
- αν θέλετε να αλλάξετε την τιμή - ο θερμοπομπός βρίσκεται σε κατάσταση «Απενεργοποίησης», πατώντας το πλήκτρο „▲“ και το πλήκτρο «Timer» για τρία δευτερόλεπτα - στην οθόνη αρχίζει να αναβοσβήνει το «A_On», πρέπει να πατήσετε το „▼“ για να φτάσετε στο «AOff», περιμένετε 3 δευτερόλεπτα και η λειτουργία θα αποθηκευτεί αυτόματα.
- Για να επιστρέψετε πάλι στην κατάσταση «ON» - ο θερμοπομπός βρίσκεται σε κατάσταση «Απενεργοποίησης», πατώντας το πλήκτρο ▲ και το πλήκτρο «Timer» για τρία δευτερόλεπτα - στην οθόνη αρχίζει να αναβοσβήνει το «AOff», πρέπει να πατήσετε το ▼, για να φτάσετε στο «A_On», περιμένετε 3 δευτερόλεπτα και η λειτουργία θα αποθηκευτεί αυτόματα.

Αυτή η λειτουργία ρυθμίζεται ανάλογα με τις ανάγκες σας. Η συσκευή λειτουργεί σε μια καθορισμένη θερμοκρασία «άνεσης» μέχρι να φθάσει σε σταθερή κατάσταση 17°C - αυτή η θερμοκρασία είναι μια θερμοκρασία αναφοράς άνεσης. Θα πρέπει να ρυθμιστεί και μια περίοδος με χαμηλότερη θερμοκρασία για τουλάχιστον 7 ώρες από αυτή που έχει οριστεί ως άνετη με διαφορά $4^{\circ}\text{C} \pm 1^{\circ}\text{C}$. Με ενεργοποιημένο προσαρμοστικό έλεγχο - αφήστε τον ηλεκτρονικό θερμοστάτη της συσκευής να λειτουργεί για 4 κύκλους (4×24 ώρες) σε κύκλους άνεσης (17°C) και μειωμένη θερμοκρασία (7°C). Μετά την ολοκλήρωση της


τελευταίας περιόδου μείωσης, η θερμοκρασία άνεσης πρέπει να επιτευχθεί εντός ± 30 λεπτών απόκλιση από τον καθορισμένο χρόνο - με μέγιστη διαφορά $\pm 1^\circ\text{C}$ από τη θερμοκρασία αναφοράς άνεσης.

«Προστασία από παιδιά»

Μπορείτε να κλειδώσετε τα πλήκτρα πατώντας παρατεταμένα και συγχρόνως τα δύο πλήκτρα το ▼ και το «Timer» για να αποτρέψετε την αλλαγή των ρυθμίσεων. Επαναλάβετε την ίδια ενέργεια για να ξεκλειδώσετε τα πλήκτρα.

 **Σημείωση:** Όταν το ηλεκτρολόγιο είναι κλειδωμένο και πατήσετε κάποια από τα πλήκτρα, στην οθόνη πρέπει να εμφανιστεί η ένδειξη „LOC_“

Ρυθμίσεις στον «Εβδομαδιαίο προγραμματιστή 24/7»

 Η είσοδος στη λειτουργία ρυθμίσεων του «Εβδομαδιαίου προγραμματιστή» είναι δυνατή μόνο εάν στη μονάδα έχουν ρυθμιστεί η ώρα και η μέρα της εβδομάδας.

Η είσοδος στη λειτουργία ρυθμίσεων και η έξοδος από αυτήν πραγματοποιούνται πατώντας παρατεταμένα το κουμπί «Timer» (Χρονοδιακόπτης).

Οι παράμετροι ρύθμισης είναι τρεις - ημέρα της εβδομάδας, ώρα και τιμή θερμοκρασίας, καθώς η αλλαγή μεταξύ των τριών παραμέτρων γίνεται με σύντομο πάτημα του πλήκτρου «Timer» (Χρονοδιακόπτης) με αλληλουχία ημερομηνία, ώρα, θερμοκρασία. Η καταγραφή γίνεται με σύντομο πάτημα του πλήκτρου «Timer», μετά τη ρύθμιση της τελευταίας παραμέτρου - της θερμοκρασίας.

Η αλλαγή της τιμής κάθε παραμέτρου γίνεται με τα πλήκτρα ▲ και ▼.

Όροι καταγραφής

- Μετά την καταγραφή σε ένα σημείο δεν μπορείτε πλέον να κάνετε αλλαγές μέχρι την έξοδο από την τρέχουσα ρύθμιση.
- Κατά την καταγραφή του πρώτου σημείου αναφοράς μιας δεδομένης ημέρας στην τρέχουσα ρύθμιση, όλα τα σημεία της ημέρας πρέπει να εκκαθαριστούν εκ των προτέρων.
- Η καταγραφή επόμενων σημείων σε μια δεδομένη ημέρα είναι δυνατή μόνο στις ώρες μέχρι το τέλος της ημέρας, μετά το τελευταίο καταγεγραμμένο σημείο.
- Κατά την καταγραφή στην τελευταία ώρα της ημέρας - 23.5h, σε αυτήν την ημέρα δεν μπορούν να γίνουν άλλες καταγραφές στην τρέχουσα ρύθμιση και στην οθόνη εμφανίζονται η επιγραφή FUL και ο αριθμός της ημέρας.
- Αν σε μια συγκεκριμένη μέρα δεν πραγματοποιούνται καταγραφές στην τρέχουσα ρύθμιση, τότε για την ημέρα αυτή διατηρούνται οι υπάρχουσες μέχρι την τρέχουσα ρύθμιση καταγραφές.


Σκοπός των ρυθμίσεων είναι να καταγραφούν οι τρεις παράμετροι στα λεγόμενα σημεία αναφοράς (SET POINTS), καθώς η καθορισμένη θερμοκρασία σε κάθε σημείο αναφοράς εκτελείται ως το επόμενο σημείο.


Παράδειγμα: Αν σε μια συγκεκριμένη μέρα κάνετε καταγραφή στις 7:00 π.μ. με θερμοκρασία 22°C και θέλετε να παραμείνει η ίδια μέχρι τις 19:00 μ.μ. (τότε σκοπεύετε να γίνει 23°C), δεν χρειάζεται να απομνημονεύσετε μία προς μία μέχρι τις 19:00 μ.μ. για κάθε ώρα, πρέπει μόνο να αποθηκεύσετε τη θερμοκρασία 22°C στις 7:00 π.μ. και θερμοκρασία 23°C στις 19:00 μ.μ.. Από προεπιλογή, κατά τη διάρκεια αυτής της περιόδου (7:00 π.μ. - 19:00 μ.μ.) η θερμοκρασία θα είναι 22°C .

Ο μηχανισμός καταγραφής κάθε σημείου έχει ως εξής:

Αφού μπειτε στις ρυθμίσεις, στην οθόνη εμφανίζεται το dAY1, καθώς ο αριθμός πάλλεται, που σημαίνει ότι αυτή είναι η παράμετρος ρύθμισης (στην περίπτωση αυτή μια μέρα της εβδομάδας).

- Με τα πλήκτρα ▲ και ▼ επιλέγετε την επιθυμητή ημέρα
- Με σύντομο πάτημα του πλήκτρου «Timer» περνάτε στη ρύθμιση της ώρας
- Με τα πλήκτρα ▲ και ▼ επιλέγετε την επιθυμητή ώρα (με βήμα 0,5h) ανά σημείο
- Με σύντομο πάτημα του πλήκτρου «Timer» περνάτε στη ρύθμιση καθορισμού της θερμοκρασίας
- Με τα πλήκτρα ▲ και ▼ επιλέγετε την επιθυμητή θερμοκρασία. Οι πιθανές θερμοκρασίες είναι από 10 έως 30°C και η κατάσταση απενεργοποίησης OFF.
- Με σύντομο πάτημα του πλήκτρου «Timer» πραγματοποιείται καταγραφή ενός σημείου και περνάτε στη ρύθμιση του επόμενου σημείου (στην οθόνη εμφανίζεται πάλι το dAYX) και περνάτε στην παράγραφο α/ για το επόμενο σημείο.
- Κατά την καταγραφή στην τελευταία ώρα της ημέρας - 23.5h, σε αυτήν την ημέρα δεν μπορούν να γίνουν άλλες καταγραφές στην τρέχουσα ρύθμιση και στην οθόνη εμφανίζονται η επιγραφή FUL_ και ο αριθμός της ημέρας.

 **ΠΡΟΣΟΧΗ:** Τα σημεία μιας συγκεκριμένης ημέρας μπορούν να καταγραφούν μόνο σε αύξουσα σειρά των ωρών.

 **Πληροφορίες:** Πριν από την εκτέλεση της παραγράφου f), ο χειριστής μπορεί να γυρίσει πίσω στην παράγραφο α) για να κάνει διόρθωση των τριών παραμέτρων του σημείου, πατώντας σύντομο το πλήκτρο ON/OFF χωρίς αποθήκευση στη μνήμη.

Η πρόσθετη καταγραφή σημείων σε μια συγκεκριμένη μέρα μπορεί να γίνει αυθαίρετα, μετά από την καταγραφή σημείων σε άλλες ημέρες, αλλά μόνο με την τήρηση του κανόνα για την καταγραφή κατά αύξουσα

σειρά των ωρών της ημέρας.

Για να βγείτε από τις ρυθμίσεις πρέπει να πατήσετε παρατεταμένα το πλήκτρο «Timer» ή να περιμένετε 30 δευτερόλεπτα.

Αφού βγείτε από τις ρυθμίσεις, μπορείτε να δείτε τα καταγεγραμμένα σημεία πατώντας τα πλήκτρα ▲ και ▼ εάν η συσκευή βρίσκεται σε λειτουργία προγραμματισμού.



Σημείωση: Μετά την ενεργοποίηση, η συσκευή μεταβαίνει σε λειτουργία (θέρμανσης ή προγραμματισμού) στην οποία έχει λειτουργήσει τελευταία.



Σημείωση: Εναλλαγή του τρόπου λειτουργίας (θέρμανσης ή προγραμματισμού) με σύντομο πάτημα του πλήκτρου «Timer» όταν η συσκευή είναι ενεργοποιημένη.

Λειτουργία «Επαναφοράς εργοστασιακών ρυθμίσεων»

Όταν ο θερμοπομπός βρίσκεται στη λειτουργία «Απενεργοποίησης», πατήστε ταυτόχρονα το πλήκτρο ▲ και ▼ για έξι δευτερόλεπτα - στη συνέχεια στην οθόνη αρχίζει να αναβοσβήνει η ένδειξη « _ _ _ » και τα σύμβολα περιστρέφονται. Όταν κάνετε «Επαναφορά» στην οθόνη θα εμφανιστεί η μετρούμενη τιμή της θερμοκρασίας περιβάλλοντος.

Αφού χρησιμοποιήσετε τη λειτουργία επαναφοράς, πρέπει να ρυθμίσετε εκ νέου τις παρακάτω λειτουργίες:

- ρύθμιση του ρολογιού
- ρυθμίστε την τιμή διόρθωσης της θερμοκρασίας (εάν το χρειάζεστε)
- απενεργοποίηση της αντιπαγετικής λειτουργίας (εάν το χρειάζεστε)
- απενεργοποίηση της προσαρμοστικής εκκίνησης (εάν το χρειάζεστε)
- εβδομαδιαίο πρόγραμμα - 24/7

Αν ο ηλεκτρικός θερμαντήρας αποσυνδεθεί από το δίκτυο τροφοδοσίας, δε θα αλλάζουν η ρυθμισμένη θερμοκρασία και ο τρόπος λειτουργίας που έχει απομείνει πριν απενεργοποιηθεί. Για παράδειγμα, αν ήταν σε λειτουργία «**Θέρμανσης**», όταν η συσκευή απενεργοποιηθεί και αφού ενεργοποιηθεί, θα είναι και πάλι σε αυτή τη λειτουργία με την ίδια ρυθμισμένη θερμοκρασία.



Η αρχή που κατοχυρώνεται στον ηλεκτρικό θερμοπομπό με μη πτητική μνήμη είναι να αποθηκεύει τις ρυθμίσεις εγγυημένα έως 90 λεπτά και χωρίς εγγύηση έως 150 λεπτά.

Όταν η θερμοκρασία δωματίου είναι χαμηλότερη από αυτή που έχετε ρυθμίσει με τον ηλεκτρονικό θερμοστάτη, ο θερμοπομπός αρχίζει τη λειτουργία του και θα λειτουργεί μέχρι τη στιγμή που η θερμοκρασία δωματίου θα φτάσει τη ρυθμισμένη τιμή. Όταν η

θερμοκρασία δωματίου είναι υψηλότερη από την τιμή που έχει οριστεί με τον θερμοστάτη, ο θερμοπομπός θα μεταβεί αυτόματα στη λειτουργία «Ετοιμότητας ενεργοποίησης».

Πληροφορίες που εμφανίζονται στην οθόνη

Ενδείξεις που απεικονίζονται, εάν δεν βρισκόμαστε σε ρύθμιση:

- Σε απενεργοποιημένη κατάσταση – διαδοχικά εμφανίζονται:
 - το ρολόι (ώρα και λεπτά)
 - η μετρούμενη θερμοκρασία δωματίου
- Στη λειτουργία θέρμανσης – απεικονίζεται η μετρούμενη θερμοκρασία δωματίου
- Σε λειτουργία προγραμματισμού - διαδοχικά εμφανίζονται:
 - ημέρα της εβδομάδας, κάτω παύλα και η μετρούμενη θερμοκρασία. 6_22
 - ημέρα της εβδομάδας, κάτω παύλα και η ρυθμισμένη θερμοκρασία στο πρόγραμμα που πάλλεται (ρύθμιση για την τρέχουσα ώρα), που μπορεί να είναι και το σύμβολο OFF. 6_23
- Κατά την ενεργοποίηση της ισχύος του θερμοπομπού, στην οθόνη εμφανίζονται:
 - παύλες «----», αν κατά την απενεργοποίηση της τροφοδοσίας αυτός βρισκόταν σε απενεργοποιημένη κατάσταση.
 - παύλες «----», οι οποίες μετά από 2 δευτερόλεπτα αντικαθίστανται από μια ένδειξη της στιγμιαίας θερμοκρασίας, εάν κατά την απενεργοποίηση της τροφοδοσίας αυτός βρισκόταν σε ενεργοποιημένη κατάσταση.
- Δύο ψηφία (01 ÷ 96) σε συνδυασμό με το αναβοσβήνισμα της κίτρινης ενδεικτικής λυχνίας, που δείχνουν τον εναπομείναντα χρόνο σε ώρες μέχρι την καθυστερημένη εκκίνηση, εάν κατά την απενεργοποίηση της τροφοδοσίας ο θερμοπομπός βρισκόταν σε λειτουργία «Καθυστερημένης εκκίνησης».
- Με σκοπό την περαιτέρω εξοικονόμηση ηλεκτρικής ενέργειας, ο ηλεκτρονικός θερμορυθμιστής μειώνει τη φωτεινότητα όλων των δεικτών. Με το πάτημα οποιουδήποτε κουμπιού, η φωτεινότητα αυξάνεται για 8 δευτερόλεπτα και στη συνέχεια μειώνεται ξανά.
- Αν στην οθόνη εμφανιστεί η ένδειξη «t0» ή «t1», αυτό σημαίνει ότι το σύστημα αυτό-διάγνωσης έχει εντοπίσει κάποιο πρόβλημα στον θερμοευαίσθητο αισθητήρα. Το «T0» απεικονίζεται στην περίπτωση σπασμένου καλωδίου αισθητήρα και το «t1» σε περίπτωση βραχυκυκλώματος αισθητήρα. Στην περίπτωση αυτή, ο ηλεκτρικός θερμοπομπός απενεργοποιείται και η επανενεργοποίησή του είναι δυνατή μετά την αφαίρεση του σφάλματος. Το σφάλμα πρέπει να αφαιρεθεί από έναν εξειδικευμένο ειδικό.

- h. Αφού η τροφοδοσία ενεργοποιηθεί μέσα σε 2 δευτερόλεπτα στην οθόνη θα εμφανιστεί η ένδειξη παύλες «----» αντί της θερμοκρασίας ή του χρόνου.
- i. Όταν στην ψηφιακή οθόνη εμφανίζεται η ένδειξη θερμοκρασίας, ανάβει η «ενδεικτική λυχνία LED θερμοκρασίας». Όταν εμφανίζεται η ένδειξη χρόνου καθυστερημένης εκκίνησης, ανάβει η «ενδεικτική λυχνία LED χρόνου».

ΑΣΦΑΛΕΙΑ

- Η συσκευή είναι εφοδιασμένη με θερμοστάτη ασφαλείας που απενεργοποιεί αυτόματα το θερμαντήρα στις περιπτώσεις αύξησης της θερμοκρασίας μέσα στο θερμοπομπό πάνω από τις επιτρεπόμενες τιμές (υπερθέρμανση της συσκευής).
- Ο θερμοστάτης ασφαλείας αποκαθιστά αυτόματα τη λειτουργία του θερμοπομπό μόνο όταν η θερμοκρασία της συσκευής πέσει κάτω από τις επιτρεπόμενες οριακές τιμές.

ΚΑΘΑΡΙΣΜΟΣ

- Υποχρεωτικά πρώτα απενεργοποιήστε τον θερμοπομπό από τον διακόπτη και βγάλτε το φις από την πρίζα στον τοίχο. Πριν αρχίσετε να καθαρίζετε τον θερμοπομπό, αφήστε τον να κρυώσει καθώς τον αποσυνδέσετε από την πρίζα.
- Ο θερμοπομπός μπορεί να καθαριστεί με ελάχιστη προσπάθεια στο πίσω μέρος του – απλά πατήστε τα στηρίγματα σε σχήμα «P» /fig.2/ στο πίσω μέρος της συσκευής, και μ' αυτόν τον τρόπο μπορείτε να τον απελευθερώσετε και να καθαρίσετε την πίσω πλευρά του.
- Καθαρίστε το θερμαντικό σώμα με μαλακό υγρό πανί, ηλεκτρική σκούπα ή βούρτσα.
- Ποτέ μην βυθίζετε τη συσκευή σε νερό – υπάρχει κίνδυνος για τη ζωή λόγω ηλεκτροπληξίας!
- Ποτέ μη χρησιμοποιείτε βενζίνη, διαλυτικό ή άλλα σκληρά λειαντικά προϊόντα καθαρισμού, γιατί θα προκαλέσετε ζημιά στο περιβλημα της συσκευής.

ΑΠΟΘΗΚΕΥΣΗ

- Πριν να αποθηκεύσετε τον θερμοπομπό, αφήστε τον να κρυώσει καθώς τον αποσυνδέσετε από την πρίζα.
- Χρησιμοποιήστε τη γνήσια συσκευασία για την αποθήκευση του θερμοπομπό, εάν ο ίδιος δεν θα χρησιμοποιείται για αρκετό χρονικό διάστημα. Το προϊόν προστατεύεται από την σκόνη και βρωμιά, καθώς φυλάσσεται στη γνήσια του συσκευασία.
- Αποθηκεύστε την συσκευή στη συσκευασία της μόνον αφού κρυώσει εντελώς!
- Το προϊόν πρέπει να φυλάσσεται σε ξηρή θέση, προστατευμένη από την άμεση ηλιακή ακτινοβολία.
- Απαγορεύεται ρητά την αποθήκευση του θερμοπομπό σε νοτισμένους ή υγρούς χώρους.

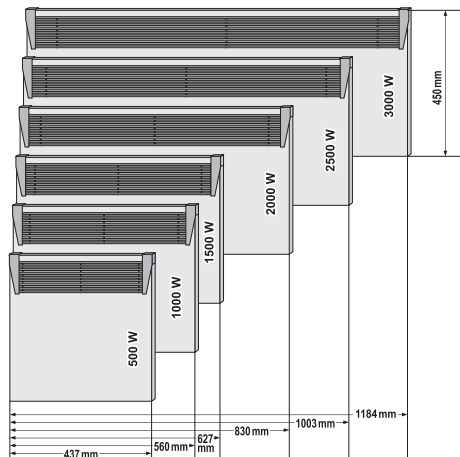
ΣΥΝΤΗΡΗΣΗ ΤΗΣ ΣΥΣΚΕΥΗΣ

- Σε περίπτωση βλάβης της συσκευής, παρακαλούμε επικοινωνήστε με το πλησιέστερο εξουσιοδοτημένο κέντρο σέρβις. /τα κέντρα σέρβις αναφέρονται στο δελτίο εγγύησης του προϊόντος/.
- **Σημείωση:** Σε περίπτωση παραπόνου και/ή παραβίασης των δικαιωμάτων σας ως καταναλωτές, παρακαλούμε επικοινωνήστε με τον προμηθευτή αυτής της συσκευής στις διευθύνσεις που αναφέρονται ή μέσω της ιστοσελίδας της εταιρείας: www.tesy.com

ΔΙΑΣΤΑΣΕΙΣ ΤΗΣ ΣΥΣΚΕΥΗΣ, ΘΕΡΜΑΙΝΟΜΕΝΟΣ ΟΓΚΟΣ ΚΑΙ ΕΚΤΑΣΗ ΤΟΥ ΧΩΡΟΥ

Μοντέλο	Θερμαινόμενος όγκος	Θερμαινόμενη έκταση
CN 03 050 EIS W - 500W	10* - 15 m ³	4* - 6 m ²
CN 03 100 EIS W - 1000W	20* - 30 m ³	8* - 12 m ²
CN 03 150 EIS W - 1500W	30* - 45 m ³	12* - 18 m ²
CN 03 200 EIS W - 2000W	40* - 60 m ³	16* - 24 m ²
CN 03 250 EIS W - 2500W	50* - 70 m ³	20* - 28 m ²
CN 03 300 EIS W - 3000W	60* - 80 m ³	24* - 32 m ²

* Ελάχιστος εγγυημένος θερμαινόμενος όγκος (έκταση) για θέρμανση με μέσο συντελεστή θερμικής αγωγιμότητας $\lambda=0.5 \text{ W/(m}^2\text{K)}$ για το θερμαινόμενο χώρο. Οι υψηλές τιμές για το θερμαινόμενο όγκο (έκταση) επιτυγχάνονται με μέση τιμή $\lambda=0.35 \text{ W/(m}^2\text{K)}$. Τυπικό ύψος των χώρων – 2.5 μέτρα.



Προσοχή: Για να αποφευχθεί η υπερθέρμανση, μην καλύπτετε τη συσκευή!



Περιβαλλοντικές απαιτήσεις

Οι παλιές συσκευές περιέχουν πολύτιμα υλικά και ουσιές δεν πρέπει να απορρίπτονται μαζί με τα σκουπίδια των νοικοκυριών! Σας παρακαλούμε να συνεργαστείτε με την ενεργό Σας συμβολή στην προστασία του Περιβάλλοντος και να παρέχετε τη συσκευή στους οργανωμένους σταθμούς παράδοσης (εάν υπάρχουν τέτοιοι).

ΠΙΝΑΚΑΣ 2 ΑΠΑΙΤΗΣΕΙΣ ΠΛΗΡΟΦΟΡΗΣΗΣ ΓΙΑ ΗΛΕΚΤΡΙΚΟΥΣ ΤΟΠΙΚΟΥΣ ΘΕΡΜΑΝΤΗΡΕΣ ΧΩΡΟΥ

Χαλκωριστικό(-ά) μοντέλου: 1.CN03 050 EIS W; 2.CN03 100 EIS W; 3.CN03 150 EIS W; 4.CN03 200 EIS W; 5.CN03 250 EIS W; 6.CN03 300 EIS W 230V~ 50Hz

Χαρακτηριστικό	Σύμβολο	"Αριθμητική τιμή 1"	"Αριθμητική τιμή 2"	"Αριθμητική τιμή 3"	"Αριθμητική τιμή 4"	"Αριθμητική τιμή 5"	"Αριθμητική τιμή 6"	Μονάδα	Χαρακτηριστικό	Μονάδα
Θερμική ισχύς									Είδος θερμικής ισχύος μόνον στην περίπτωση των ηλεκτρικών τοπικών θερμοσυσσωρευτών (να επιλεγεί μια δυνατότητα)	
Ονομαστική θερμική ισχύς	P_{nom}	0.50	1.00	1.50	2.00	2.50	3.00	kW	χειροκίνητος ρυθμιστής θερμικού φορτίου με ενσωματωμένο θερμοστάτη	[όχι]
Ελάχιστη θερμική ισχύς (ενδεικτική)	P_{min}	0.00	0.00	0.00	0.00	0.00	0.00	kW	χειροκίνητος ρυθμιστής θερμικού φορτίου με ανάδραση θερμοκρασίας δωματίου και/ή θερμοκρασίας εξωτερικού χώρου	[όχι]
Μέγιστη συνεχής θερμική ισχύς	$P_{max,C}$	0.50	1.00	1.50	2.00	2.50	3.00	kW	ηλεκτρονικός ρυθμιστής θερμικού φορτίου με ανάδραση θερμοκρασίας δωματίου ή/και θερμοκρασίας εξωτερικού χώρου	[όχι]
Βοηθητική κατανάλωση ηλεκτρικής ενέργειας									παραγωγή θερμότητας υποβοηθούμενη από ανεμιστήρα	[όχι]
στην ονομαστική θερμική ισχύ	e_{lmax}	0.43	0.93	1.44	1.91	2.45	2.91	kW	Είδος θερμικής ισχύος/ρυθμιστή θερμοκρασίας δωματίου (να επιλεγεί μια δυνατότητα)	
στην ελάχιστη θερμική ισχύ	e_{lmin}	0.00	0.00	0.00	0.00	0.00	0.00	kW	μονοβάθμια θερμική ισχύς και χωρίς ρυθμιστή θερμοκρασίας δωματίου	[όχι]
σε κατάσταση αναμονής	e_{lSB}				0.00033			kW	δύο ή περισσότερες χειροκίνητες βαθμίδες χωρίς ρυθμιστή θερμοκρασίας δωματίου	[όχι]
									δύο ή περισσότερες χειροκίνητες βαθμίδες χωρίς ρυθμιστή θερμοκρασίας δωματίου	[όχι]
									με ηλεκτρονικό ρυθμιστή θερμοκρασίας δωματίου	[όχι]
									με ηλεκτρονικό ρυθμιστή θερμοκρασίας δωματίου και χρονοδιακόπτη ημέρας	[όχι]
									με ηλεκτρονικό ρυθμιστή θερμοκρασίας δωματίου και χρονοδιακόπτη εβδομάδας	[ναί]
									Άλλες δυνατότητες ρύθμισης (επιτρέπονται πολλές επιλογές)	[όχι]
									ρυθμιστής θερμοκρασίας δωματίου με ανιχνευτή παρουσίας	[όχι]
									ρυθμιστής θερμοκρασίας δωματίου με ανιχνευτή ανοιχτού παραθύρου	[όχι]
									με δυνατότητα ρύθμισης εξ αποστάσεως	[όχι]
									με ρυθμιστή προσαρμοζόμενης εκκίνησης	[ναί]
									με περιορισμό διάρκειας λειτουργίας	[όχι]
									με αισθητήρα θερμομέτρου μελανής σφαίρας	[όχι]

TESY Ltd
48 Madara Blvd,
Shumen, 9700,
Bulgaria

! Прочитатеј тековните инструкции пред да го користите овој апарат и чувајте ги овие упатства за понатамошна употреба. При промена на сопственикот, упатствата треба да се пренесува заедно со апаратот.

Ви благодариме што го одбравте конвекторот CN03. Тоа е уред кој нуди греење во зима, во зависност од потребите за постигнување на смирената топлина во загреваната просторија. При правилна употреба и нега, како што е опишано во овие инструкции, апаратот ќе ви обезбеди многу години корисно функционирање.

ВАЖНИ МЕРКИ И УПАТСТВА ЗА БЕЗБЕДНОСТ:

! Деца на помалку од 3 години, треба да се чуваат надвор, освен ако не се под постојан надзор. Деца на возраст од 3 години до 8 години може само да го користат копчето вкл. / искл. на апаратот, под услов апаратот е инсталиран и е подготвен за нормална работа и биле забележани и обучени за употреба на безбеден начин и разбираат дека може да е опасно.

Деца на возраст од 3 години до 8 години не треба да вклучуваат апаратот во штекер, да го дотеруваат, да го чистат или да вршат корисничка поддршка.

Овој уред може да се користи од деца на возраст над 8 години и лица со намалени физички, сетилни или ментални способности, или што немаат искуство и знаење, ако тие се одвиваат или обучени за безбедна употреба на апаратот и разбираат опасностите. Децата не треба да си играат со апаратот. Чистење и корисничка поддршка не смее да се прави од деца без надзор.

! Некои делови на овој производ може да станат многу жешки и да предизвикаат изгореници. Таму каде што присуствуваат деца и ранливи луѓе, мора да биде доставено посебно внимание.

- Пред да го вклучите уредот - проверете дали наведениот напон на типската табела одговара на напонот који се доставува до вашиот дом.
- Овој уред треба да се користи само по намената, за кое бил предвиден, односно да грее домаќинство простории. Апаратот не е наменет за комерцијални цели. Секоја различна употреба да се смета за несоодветна и затоа опасна. Производителот не може да носи одговорност за штети кои произлегуваат од несоодветна и неразумна употреба. Непочитување на информациите за безбедност ќе ја направи невалидна поетата гаранција за уредот!
- Не напуштајте домот, додека апаратот е вклучен: осигурајте се дека ключа е во положбата исклучено (се однесува за конвекторите со механичко управување).
- Држете запаливи предмети, како мебел, перници, постелнина, хартија, облека, завеси и сл. на растојание од најмалку 100 см далеку од конвекторот.
- Не користете го уредот каде што се користат или чуваат запаливи материи (на пример: во близина на запаливи гасови или аеросоли) - постои многу голема опасност од експлозија и пожар!
- Не вметнувајте и не дозволувајте туѓи тела да падне во отворите за вентилација (дојдовни или појдовни), бидејќи тоа ќе предизвика електричен удар, пожар или дефект во конвекторот.
- Апаратот не е погоден за одгледување на животни, и истиот е предвиден само за домашна употреба!
- Не покривајте заштитните решетки, не блокирајте влезот или излезот на ваздушното струење, како поставувате апаратот против дадена површина. Сите предмети треба да се исклучи барем 1 метар од апаратот пред и странично.

- Најчеста причина за прегревање е акумулација на мов и прашина во уредот. Редовно чистете со правосмукалка вентилацијските отвори, како пред тоа задолжително го исклучите апаратот од електричната мрежа.
- Никогаш не допирајте апаратот со влажни раце - постои опасност за животот!
- Штекерот треба да биде достапен во секое време, за да може приклучокот да биде ослободуван при потреба можно побрзо! Никогаш не влечете го кабелот флекс или самиот уред при исклучување од мрежата.
- Да обрнат внимание! Издувниот воздух се загрева за време на работа (до повеќе од 100°C).
- Ако кабелот флекс на овој уред е оштетен, прекинете неговата употреба и контактирајте со обезбедувачот / продавачот за дополнително инструкции.
- Ако одлучите да престанете да го користите апаратот од овој тип, се препорачува да го направите неупотребливи, како намалување кабелот, откако сте го исклучиле од мрежата. Препорачува се уште сите опасности поврзани со уредот да бидат обезбедени, особено за деца кои би можеле да користат амортизираниот уред (апаратот) за игра.
- Апаратот не треба да се става непосредно под приклучната кутија!
- Внимание: Не користете го апаратот со програматор, контра или друг уред кој автоматски го вклучува бидејќи, ако апаратот е покриен или неправилно поставен постои опасност од пожар.
- Ставете кабелот флекс, па да не го попречува движењето на луѓето и да не биде случуваат! Користете само одобрени продолжни кабли, кои се погодни за апаратот, односно имаат знак за согласност!
- Никогаш не поместувајте уредот, како го влечете за кабелот и не користете кабелот за пренесување на објекти!
- Не прекршувајте кабелот и не го влечете преку остри рабови и не го ставајте на жешки плочи или отворен оган!


ПАКУВАЊЕ

- По отпакување на апаратот, проверете дали при транспортот не е оштетен и дали е целосно опремен! Во случај да биде констатирано оштетување или нецелосна испорака, контактирајте со Вашиот овластен продавач!
- Не фрлајте оригиналната кутија! Таа би можела да се користи за чување и транспорт, за да се избегне оштетување од транспортот!

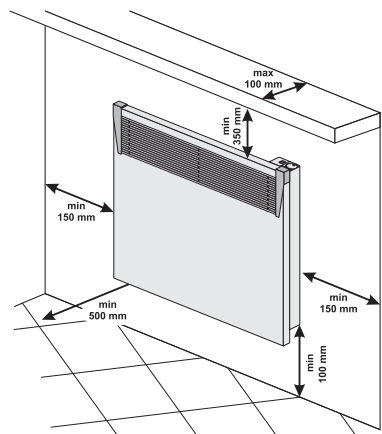
- Фрлањето на амбалажата треба да станува соодветен начин! Децата треба да се чува да не си играат со полиетиленските кеси!

УПАТСТВО ЗА МОНТАЖА

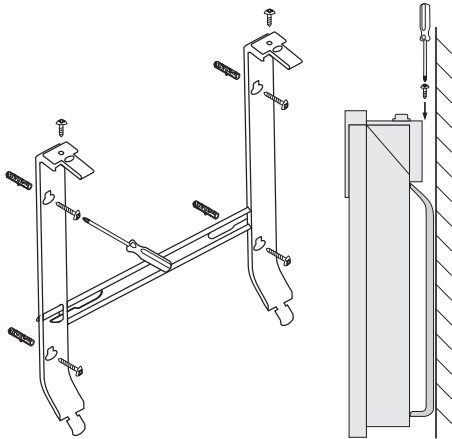
- Овој конвектор е дизајниран за употреба во затворени простории, монтиран на ѕидот.

 **Важно:** При простории со обем над 45 м³ е препорачливо користење на комбинација од 2 и повеќе конвектора

- Не ставајте конвектор под електричен штекер или поврзувашта кутија.
- Не монтирајте / користете конвекторот
 1. на место каде има нафрли, за да не се влијае на контролните подесувања
 2. непосредно под штекер;
 3. во простор 1 (volume 1) за бањи;
 4. во простор 2 (volume 2), ако контролната табла може да биде достигнато од човек кој е под туш или во кадата;
- За монтирање на конвекторот на ѕид треба да се користат само држачите за ѕид, доставени заедно со конвекторот. При монтажа на конвекторот треба да се почитуваат минималните растојание од апаратот



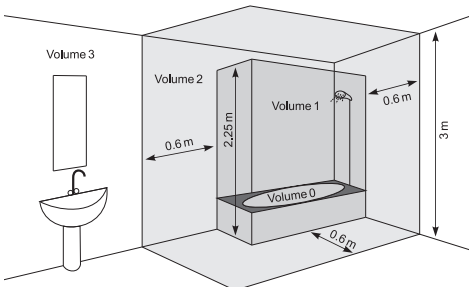
- Прво извадете ги држачите за ѕид од задниот корпус. Отшрафете ги двата шрафа лоцирани во горниот дел на двете вертикални ленти на држачите за ѕид. Потоа повлечете го горниот дел на лентата како јако притиснете двете горни делови, веќе вметнати во задниот корпус.



- Повлечете надолу држачот за ѕид да га откачите од задниот корпус.
- Прикачите цврсто кон ѕидот заградата за ѕид преку направените четири дупки за шрафови.
- Подигнете конвекторот речиси до вертикалната положба и вметнете двете долни издадени делови на држачите за ѕид во двата долни процепи во задниот капак на конвекторот. Потоа подигнете конвекторот и вметнете двете горни издадени делови на држачите за ѕид во двата горни процепи во задниот капак на конвекторот. Конечно вратите на нивното место и прицврстете ги двата шрафа за да закачите цврсто конвекторот за ѕидот.

УПОТРЕБА ВО БАЊА

- Конвекторот треба да биде монтиран во согласност со нормалната комерцијална пракса и во согласност со законодавството на дадената земја (директивите за електрична енергија на ЕЗ и барањата за посебни монтажи или места вклучуваат бањи, или туш кабини HD60364-7-701 (IEC 60364-7-701 : 2006)).



- Ако овој Конвекциски се користи во бања или друго слично просторија, треба да бидат исполнети следниве барања при инсталирањето: Конвекторот е со заштита IP24 (заштита од прскање вода). Поради овој факт треба да се монтира во простор 2 (volume2) (види дијаграм подолу), за да се избегне можноста од контролната табла (клуч и терморегулатор) на конвекторот да биде достигнато од човек кој е под туш или во када. Минималното растојание од апаратот до воден извор треба да биде не помалку од 1 метар и апаратот да биде задолжително монтиран на ѕидот! Ако не сте сигурни во врска со инсталирањето на овој конвектор во просторијата за бања, ние препорачуваме да се консултирате со професионален електричар.

Забелешка: ако не можат да се исполнат горенаведените услови се препорачува монтажа да се изврши во простор 3 (VOLUME 3).

- Во влажни простории (бањи и кујни) извор на енергија треба да е монтиран на височина минимум 25 см од подот.
- Инсталацијата треба да биде опремена со автоматски осигурувач, при што растојанието меѓу контактите кога е исклучен треба да биде најмалку 3мм.

УПАТСТВО ЗА УПОТРЕБА

ЕЛЕКТРОНСКО УПРАВУВАЊЕ

Режими на работа

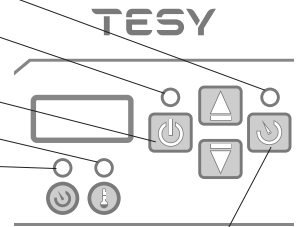
LED Режим за "Одложен старт" / Режим „Програма“

LED за режим "Загревање" / Вклучен грејач

Копче ON/OFF

LED за температура

LED за време



Копче „Тајмер“ за вклучувања режими "Одложен старт" или режим „Програма“

Вклучете го конвекторот, притиснете го копчето во позиција "I" (Вклучено)

Поставувањена часовникот

Поставувањето на часовникот е можно само во режим на исклучување – се поставува тековниот ден од неделата, часот и минути.

Влезувањето во поставувањетона часовникот се врши со истовремено притискање на копчињата "ON/OFF" и "Timer". Параметарот што треба да се постави

пулсира на екранот. Изборот на параметарот за поставување се врши со кратко притискање на копчето **“Timer”**. Излегувањето од подесувањето се врши со трето кратко притискање на копче **“Timer”** (по поставувањето на минути).

Поставката започнува со делничен ден од 1 до 7 во зависност од кој од тековниот ден е неделата и се поставува со соодветната цифра. Часови и минути се прикажуваат истовремено на екранот со пулсирање на само параметарот за поставување. Менувањето на вредноста на параметарот се врши со копчињата **▲** и **▼**.

Ако до 10 сек не се натиска бутон се излиза от настройка.

Вклучување на режимот **“Загревање”**

Кога панелниот конвектор е исклучен, на дигиталниот дисплеј, треба да се прикаже собната температура и да блеска само „LED за температура“. При еднократно притиснувањена копче **“On/Off”** се префрлува во режим **“Загревање”**. Тогаш се вклучува црвената светодиода укажувајќиовој режим. За околу 2 секунди, поставената температура се прикажува на дигиталниот дисплеј, и за овој период, „LED за температура“ не свети. Ако собната температура е помала од поставената температура, грејачот автоматски се вклучува.

Кога грејачот е вклучен, црвената светодиода свети постојано!

Поставување на температурата

Со притискање на едно од копчињата **▲** или **▼** се префрлува во режим **“Промена на поставената температура”**. Екранот почнува да трепне и на тоа се испишува поставената до моментот температура. Со следните притискања на копчињата ја менува задачата во посакуваната насока. Ако во рок од 5 секунди нема да се притисне ново копче, новата задача се меморира и автоматски се префрлува на режимот **“Загревање”**. Ако било кое од копчињата **▲** или **▼** се одржува за повеќе од 0,7 секунди, поставената температурна вредност започнува автоматски да се зголеμουва или намалува со 4 единици во секунда. Ограничувањата за температурата во собата се движат од 10 до 30 степени.

„Одложени старт“ на вклучувањето на панелниот конвектор.


Кога конвекторот е во режимот **„Исклучено“**, со притискањето на копчето **„Тајмер“** се овозможува да внесете време и потоа автоматски да се префрли на режим **„Загревање“**. Овој режим се покажува со трепкачка жолта светодиода и изгасната црвена светодиода. На дигиталниот дисплеј ќе го сменуваат читањето на температурата на околината кога е запалена „LED за температура“ и преостанатото време во часови до вклучувањето на

„Загревање“ и е запалена „LED за време“. Веднаш по вклучувањето на овој режим, жолтата светодиода свети, а екранот почнува да трепка со внесување на внесеното време во часови додека не се вклучи конвекторот. Првично, се наплаќа за 12 часа и со притискање на **▲** или **▼** времето се менува во посакуваната насока. Ако некое от копчињата **▲** или **▼** се задржи за повеќе од 0,7 секунди, временската вредност започнува автоматски да се зголемува или намалува со 4 единици во секунда. Ако во рок од 5 секунди нема да се притисне ново копче или се притисне копчето **„Тајмер“**, контролорот се префрлува во режим за **„Одложен старт“**. Доколку е внесено време 00, режимот не се извршува. Ако режимот за **„Одложен старт“** веќе работи и копчето **„Тајмер“** повторно се притисне, преостанатото време може да се коригира во двете можни насоки. По поставувањето на времето, се префрлува на режимот **„Одложен старт“**, при што на екранот освен температурата се броеат останатите часови додека не се префрли на **„Загревање“**. Овој режим може да се исклучи со притискање на копчето **„On/Off“**. Конвекторот потоа ќе се префрли во режим на **„Загревање“**. **„Одложен старт“** може да се поставува од 01 до 96 часа.

Исклучувањена режимот **„Загревање“**

Од режимот **„Загревање“** може да се излезе со притискање на копчето **“On/Off”**. Тогаш грејачот се исклучува, ако е вклучен пред, црвената светодиода се изгасне. На екранот продолжува да се укажува на собната температура.

Функција **„Против замрзнување“**

Ако температурата на собата падне под 5 степени и конвекторот е исклучен (црвената светодиода не е запалена, но Механичкиот прекинувач е вклучен напозиција **“I”** (Вклучено) )¹⁰, грејачот автоматски ќе се вклучи за да се спречи замрзнување.



Поставувањето на корекција на температурата на сензорот за температура не се однесува на оваа функција.

Активирање и деактивирање на функцијата:


- функцијата е вклученапо фабрички поставки;
- ако сакате да ја исклучите функцијата, конвекторот е во режим **„Исклучен“**, со притискање на копчето **▲** и копчето **“On/Off”** за три секунди - на екранот почнува да трепка **„ON“**, со притискање на копчето **▼** ќе достигнете позиција **“OFF”**, почekaјте 3 секунди и функцијата автоматски ќе влезе во режимот **“OFF”**;
- ако сакате повторно да ја вклучите функцијата-конвекторот е во режим **„Исклучен“**, со притискање на копчето **▲** и копчето **“On/Off”**

за три секунди - на екранот почнува да трепка „OFF“, со притискање на копчето ▼ ќе достигнете позиција „ON“, почекајте 3 секунди и функцијата автоматски ќе влезе во режимот „ON“.

Функција температурна корекција на сензорот

Поради специфичноста на температурниот профил во различни простории, може да има разлика од температурата прикажана на екранот и всушност измерена на различни локации на грејачот во просторијата.

- Погледнете ја температурата прикажана на екранот на уредот;
- Измерете ја температурата на место каде што температурата е доволно „удобна“ за вас (обично на висина од околу 60 см од подот, во седечка положба). Ако има разлика во опсегот од $\pm 4^{\circ}\text{C}$, можете да го поставите подесувањето на менијата на конвектор (Важен услов - функцијата може да се поставува само по темперирање на загревааната просторија - според видот на просторијата минималното потребно време е 7 часа) со добиената разлика помеѓу читањето на конвекторот и измерената температура..


 **Забелешка:** Оваа функција се користи за подобра температурна удобност и заштеда на енергија за корисникот на електричниот конвектор во просторијата каде што се наоѓа. Поголема разлика од $\pm 4^{\circ}\text{C}$ од измерената температура на саканата локација во просторијата значи дека просторијата каде што го користите конвекторот не е добро изолирана или не е добро темперирана.

Пример: Конвектор поставен во просторија над камен под - индикации на конвекторот 18°C (при зададена 22°C), измерена реална температура (чувство за достигната удобна температура) 22°C на висина од подот 60см -> во овој случај, конвекторот продолжува да презагрева просторијата (ова е директна енергозагуба, но конвекторот не може да ја постигне поставената температура откако мери температура ниско долу на подот) и никогаш нема да се исклучи. Потребно е да се постави температурна корекција $+4^{\circ}\text{C}$ на сензорот - во овој случај конвекторот ќе покажува 22°C и ќе почне да се исклучува - како ќе поддржува подесената температура 22°C .

Нормалната состојба на функцијата е 0°C по фабрички поставки

- ако сакате да ја промените вредноста - конвекторот е во режим „Исклучен“ со притискање на копче ▼ и копче „On/Off“ за три секунди - на екранот почнува да трепка „0°C“. Може да притиснете копчето ▼ или копче ▲ за да достигнете опсег „-4°C“ до „4°C“, почекајте 3 секунди и функцијата автоматски ќе се зачува.

- Кога сакате да проверите каква корекција е подесена - конвекторот е во „Исклучен“ режим со притискање на копче ▼ и копче „On/Off“ за три секунди - на екранот почнува да трепка поставената температура. Може да притиснете копчето ▼ или копче ▲ да се даде нова вредност во опсегот „-4°C“ до „4°C“.

 **Забелешка:** По функцијата за фабричко нулирање - мора да се зададе повторно корекција на температурата, фабричката стандардна вредност е 0°C .


Адаптивен старт

- адаптивна стартна контрола значи функција која предвидува и иницира оптимален почеток на затоплување за да ја достигне поставената температура во саканото време.
- функцијата е вклучена по фабрички поставки.
- ако сакате да ја промените вредноста - конвекторот е во режим „Исклучен“ со притискање на копче „▲“ и копче „On/Off“ за три секунди - на екранот почнува да трепка „AOFF“, мора да притиснете „▼“ да се постигне „AOFF“, почекајте 3 секунди и функцијата автоматски ќе се зачува.
- За да се вратите повторно режимот „ON“ - конвекторот е во режим „Исклучен“ со притискање на копче ▲ и копче „Timer“ за три секунди - на екранот почнува да трепка „AOFF“, мора да притиснете ▼, да се постигне „A_On“, почекајте 3 секунди и функцијата автоматски ќе се зачува.

Оваа функција се поставува според вашите потреби. Уредот работи на одредена температура на „комфор“, додека не достигне стабилна состојба од 17 часа - оваа температура е референтна удобна температура. Мора да се постави и период со помала температура од најмалку 7 часа, од оној коа е поставена за удобност со разлика од $4^{\circ}\text{C} \pm 1^{\circ}\text{C}$. Со активирана адаптивна контрола - оставете електронскиот термостат на уредот да работи 4 циклуси (4 x 24 часа) за циклуси на комфор (17 часа) и намалена температура (7 часа). По завршувањето на последниот период на намалување, температурата на удобност треба да се достигне во рок од ± 30 минути од отстапувањето од зададеното време - со максимална разлика од $\pm 1^{\circ}\text{C}$ од референтната комфорна температура.

“Заштита од деца”

Можете да ги заклучите копчињата со истовремено притискање на ▼ и „Тајмер“ за да се спречат промените на поставките. Повторете го истото дејство за да ги отклучите копчињата.

 **Забелешка:** Кога тастатурата е заклучена и притиснете некој копчиња, екранот мора да прикаже наслов „LOC“.

Подесувања во „Неделен програмер 24/7“



Внесувањето на режимот за поставување на „Неделен програмер“ е можно само ако на уредот е поставен час и ден од неделата.

Внесувањето и излегувањето од режимот на поставките се врши со долго притискање на копче “Timer”.

Параметрите за поставување се три -ден на неделата, часовната и температурната вредност, префрлување на трите параметри со кратко притискање на копче “Timer” в последователност ден, час, температура. Снимањето се врши со кратко притискање на копче “Timer”, по поставувањето на последниот параметар - температурата.

Промената на вредноста на секој параметар се врши со копчињата ▲ и ▼.

Услови за запис

- По запис во точка, не може да се промени додека се не излезе од тековната поставка.
- Кога ја снимате првата реперна точка на одреден ден во тековното поставување, сите точки од денот се исчистени однапред.
- Снимањето на следните точки на одреден ден е можно само во часови до крајот на денот по последната запишана точка.
- За време на снимањето во последниот час од денот – 23.5h, на овој ден, повеќе записи не можат да се направат во тековното поставување, а на екранот се прикажуваат FUL и броевите на денот.
- Ако не се направени записи во тековната поставка на одреден ден, во него ги зачувува постојните записи на тековната поставка.

Целта на поставките е да се снимат трите параметри во тако наречените реперни точки (SET POINTS), како поставена температура во секоја реперна точка се извршува до следната такова.

Пример: Ако направите запис на одреден ден за 7 часа со температура 22°C, и сакате да остане иста до 19:00 часа (тогаш планирате да стане 23°C), не морате да меморирате еден по еден до 19 часа за секој час, но само треба да ја зачувате температурата 22°C во 7 часа и температура 23°C во 19 часа. Стандардно во овој период (7-19 часа) од време температурата ќе биде 22°C.

Механизмот за запис на секоја точка е како што следува:

По внесувањето на поставките, се прикажува на екранот dAY1, како што бројот пулсира, што значи дека ова е параметар за поставување (во овој случај, ден од неделата).

- Со копчињата ▲ и ▼ се избира посакуваниот ден
- Со кратко притискање на копче “Timer” се префрлува на подесување на час;
- ▲ и ▼ се избира посакуваниот час (со чекор 0,5h) на точка
- Со кратко притискање на копче “Timer” се префрлува на подесување на задача на температура;
- Со копчињата ▲ и ▼ се избира саканата температура. Можните температури се од 10 до 30°C и исклучена состојба OFF.
- Со кратко притискање на копче “Timer” се прави запис за точка и се префрлува на поставка на следната точка (на екранот повторно е испишано dAYX) и се префрлува на параграф а) за следната точка.
- За време на снимањето во последниот час од денот – 23.5h, на овој ден, повеќе записи не може да се направат во тековната поставка и на екранот се прикажува натписот FUL_ и бројот на денот.



ПРЕДУПРЕДУВАЊЕ: Точките на одреден ден може да се запишуваат само во растечки редослед на часовите.



Инфо: Пред да се изврши параграфот f) операторот може да се врати на параграф а) за корекција на трите параметри на точката со кратко притискање на копче ON/OFF, без снимање во меморија.

Довнесувањето на точки на одреден ден може да биде произволно, по записи на точки на други денови, но само со усогласеност со правилото на растечкиот редослед на часовите од денот.

Излезот од поставките е со долго притискање на копче “Timer” или чекање на 30 секунди.

По излезот од поставките, можно е да ги видите снимените точки користејќи ги копчињата ▲ и ▼, ако уредот е во програмски режим.



Забелешка: По вклучувањето, уредот се префрлува во режим (греење или програмирање) на кој тој работел последно.



Забелешка: Префрлување на режимот на работа (греење или програмски), со кратко притискање на копче Timer при вклучена состојба.

Функција „Нулирање“ до фабричките поставки

Кога конвекторот е во режим „Исклучено“, истовремено се притиска копче ▲ и копче ▼ за шест секунди - тогаш на екранот почнува да трепне “_ _ _” и да се ротираат символите. Кога се „Нулира“

ќе ја видите на екранот измерената вредност на температурата на околината.

По користењето на функцијата за нулирање, мора да ги зададете функциите подолу:

- поставување на часовник;
- поставете вредност за корекција на температурата(ако ви треба);
- деактивирање на функцијата против замрзнување(ако ви треба);
- деактивирајте го адаптивниот старт(ако ви треба);
- неделна програма- 24/7.

Ако електричниот конвектор е исклучен од електричната мрежа, то нема да ја промени зададената температура и режимот на работа што остануваат пред да се исклучи. Ако, на пример, е во режимот „**Загревање**“, при исклучувањето на уредот и по неговото вклучување, тој повторно ќе биде во овој режим со истата поставена температура.



Принципот што е вграден во електричниот конвектор со енергетско независна меморија е да ги зачува поставките гарантирано до 90 минути и да нема гаранција до 150 минути.

Кога температурата на собата е пониска од онаа која сте поставили со електронскиот термостат, конвекторот започнува да работи и ќе работи додека собната температура не достигне поставената вредност. Кога собната температура е поголема од вредноста поставена со термостатот, конвекторот автоматски ќе се префрли во режим на „Подготвеност за вклучување“.

Приказувана информација на екранот

Показувања на индикацијата, ако не сме во поставката:

- a. *Во режим исклучено – последователно прикажување на:*
 - часовник (час и минути);
 - измерена собна температура
- b. *Во режим загревање – ја покажува измерената собна температура.*
- c. *Во режим на програмирање- последователно прикажување на:*
 - ден от неделата долна црта и измерената температура. 6_22
 - ден от неделата долна цртаи пулсирајќа зададената температура во програмата (задача за тековното време), што исто така може да биде симбол OFF. 6_23

d. *При вклучување на моќноста на конвектор, на екранот се прикажува:*

- црте“----“, ако при исклучувањена напојувањетотој беше во состојба исклучен.
 - црте“----“, што по 2 секунди се заменуваат со индикација за моменталната температура ако при вклучување на моќноста тој беше во состојба вклучен.
- e. *Две цифри (01 ÷ 96) во комбинација со трепкање на жолтата светлодиода, покажувајќи го преостанатото време во часови до одложениот старт, ако при исклучување на напојувањето конвекторот беше во режим „Одложен старт“.*
 - f. *За дополнително заштеда на електрична енергија, електронскиот терморегулатор ја намалува осветленоста на сите индикатори. Кога ќе притиснете кое било копче, осветленоста се зголемува за 8 секунди, а потоа се намалува повторно.*
 - g. *Ако екранот се прикажува “t0” или “t1” значи дека системот за самодиагностика открил проблем во термосензаторот. “t0” е при скриен кабел на сензорот, а “t1” при сензор со краток спој. Во овој случај, електричниот конвектор е исклучен и повторно пуштање во работа е можно по отстранувањето на дефектот. Грешката мора да ја отстрани квалификуван специјалист.*
 - h. *При вклучување на напојувањето до 2 секунди на екранот ќе бидат прикажани црте“----“наместо температура или време.*
 - i. *Кога на дигиталниот дисплеј се прикажува температура светли „LED за температура“,кога се прикажува времето до отложениот старт, светли „LED за време“.*

ЗАШТИТА

- Апаратот е опремен со безбедносен термопрекинувач кој автоматски го исклучува грејачот во случај на зголемување на температурата во конвекторот над дозволените вредности / т.н. прегревање на уредот /.
- Безбедносниот термопрекинувач автоматски го обновува работата на конвекторот, само кога температурата на уредот падне под дозволените гранични вредности.

ЧИСТЕЊЕ

- Задолжително прво исклучете го апаратот од клучот и извадете го приклучникот од ѕидниот штекер. Пред да почнете да го чистите конвекторот, оставете го да се излади кад го исклучите од струја

- Конвекторот може да биде исчистен со минимален напор во задниот дел - едноставно притиснете „P“ обликувани загради / fig.2 / на задната страна на уредот, на тој начин може да го олабавите и соодветно да се исчисти неговата задна страна.
- Исчистете кукиштето со влажна крпа, правосмукалка или четка.
- Никогаш не го потопувајте уредот во вода - опасност за животот од струен удар!
- Никогаш не користете бензин, разредувач или груби абразивни производи за чистење, бидејќи тие ќе го оштетат премазот на апаратот.

СКЛАДИРАЊЕ

- Пред да вовлекувате конвекторот, оставете го да се излади кад го исклучите од струја
- Користете оригиналното пакување за чување на конвекторот ако истиот нема да се користи за некое време. Производот се штити од претерано посипување и загадување како се прибира во оригиналното пакување.
- Никогаш не чувајте топол уред во пакувањето му!
- Производот треба да се чува на суво и заштитено од директна сончева светлина локација.
- Експлицитно се забранува неговото складирање во влажни или мокри простории.

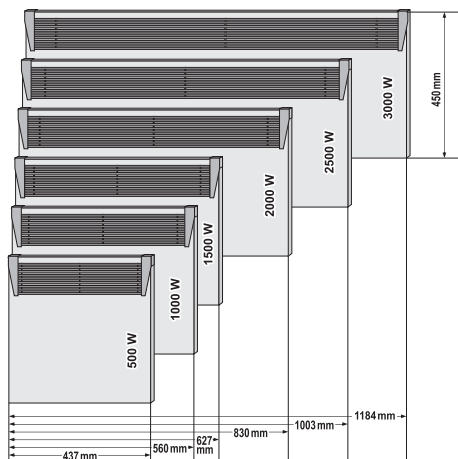
СЕРВИСНО ОДРЖУВАЊА НА УРЕДОТ

- Во случај на дефект на апаратот, ве молиме контактирајте со најблискиот до Вас овластен сервис. /наведени во гарантниот лист на производот/.
- **Важно:** Во случај на рекламација и / или нарушување на Вашите права како корисник, контактирајте со обезбедувачот на овој уред на наведените адреси или преку интернет страницата на компанијата: www.tesy.com

ДИМЕНЗИИ НА УРЕДОТ, ЗАГРЕАН ВОЛУМЕН И ПОВРШИНА ВО ПРОСТОРИЈА

Модел	Загреан волумен	Загревана површина
CN 03 050 EIS W - 500W	10* - 15 m ³	4* - 6 m ²
CN 03 100 EIS W - 1000W	20* - 30 m ³	8* - 12 m ²
CN 03 150 EIS W - 1500W	30* - 45 m ³	12* - 18 m ²
CN 03 200 EIS W - 2000W	40* - 60 m ³	16* - 24 m ²
CN 03 250 EIS W - 2500W	50* - 70 m ³	20* - 28 m ²
CN 03 300 EIS W - 3000W	60* - 80 m ³	24* - 32 m ²

* Минимален гарантиран загреан волумен (површина) за греење при просечен коефициент на топлинска спроводливост $\lambda = 0,5 \text{ W} / (\text{m}^2\text{K})$ за загреваната просторија. Повисоките вредности за загреан волумен (површина) се постигнуваат при средна вредност на $\lambda = 0,35 \text{ W} / (\text{m}^2\text{K})$. Стандардна височина на просториите - 2,5 метри.




Внимание: За да се избегне прегревање, не покривајте уредот!




Упатства за заштита на животната средина

Старите електрични содржат вредни материјали и поради тоа не треба да се исплаат заедно со битовата губре! Ве молиме да помогнете со активниот придонес за зачувување на ресурсите и животната средина и да обезбедите уредот во организираниите икупвателни пунктови (ако има такви).

 A készülék használata előtt olvassa el a jelen használati utasítást, és tartsa be ezeket az utasításokat a jövőbeni használat során. Tulajdonosváltáskor az üzemben tartásra vonatkozó utasításokat a készülékkel együtt tovább kell adni.

Köszönjük, hogy a CN03 konvektort választotta. Ez egy olyan termék, amely télen szükség szerinti fűtést kínál kellemes meleg eléréséhez fűtött helyiségben. Az ebben a használati utasításban leírtak szerinti helyes üzemeltetés és karbantartás esetén a készülék sok évig fogja az ön hasznát szolgálni.


FONTOS ÓVINTÉZKEDÉSEK ÉS BIZTONSÁGI UTASÍTÁSOK:

 **3 éven aluli gyerekeket távol kell tartani tőle, ha csak nincsenek állandó felügyelet alatt.**

3 és 8 év közötti gyerekek csak a készülék ki/be kapcsoló gombját használhatják, azzal a feltétellel, hogy a készülék beszerelt állapotban van, és készen áll a rendes működésre, továbbá felügyelet alatt vannak, és ismerik a készülék biztonságos módon való használatát, és értik, hogy az veszélyes lehet.

3 és 8 év közötti gyerekeknek nem szabad a készüléket a konnektorhoz csatlakoztatni, beállítani, tisztítani vagy karbantartást végezni rajta.

Ezt a készüléket akkor használhatják 8 éven felüli gyerekek, korlátozott fizikai, érzékelési vagy szellemi képességű vagy nem elegendő tapasztalattal és tudással rendelkező egyének, ha felügyelet alatt vannak, vagy ismerik a készülék biztonságos módon való használatát, és értik a veszélyeket. Gyerekeknek tilos játszani a készülékkel. A készülék tisztítását és karbantartását nem végezhetik felügyelet nélküli gyerekek.

 **A termék néhány alkatrésze nagyon felforrósodhat, és égési sérüléseket okozhat. Ahol gyerekek és sérült emberek vannak jelen, különös figyelemmel kell eljárni.**

- Mielőtt bekapcsolná a készüléket – ellenőrizze, hogy a szabványtáblázatban megjelölt feszültség megegyezik az ön otthonában lévő feszültséggel.
- Ezt a készüléket csak rendeltetésének megfelelően, azaz lakóhelyiségek fűtésére szabad használni. A készülék nem rendeltetett kereskedelmi célokra. Minden egyéb használat helytelennek és ebből kifolyólag veszélyesnek minősül. A gyártó nem vállal felelősséget a helytelen és ésszerűtlen használatból eredő károsodásokért. A biztonsági utasítások be nem tartása érvényteleníti a készülékre vállalt garanciát!
- Ne hagyja el az otthonát, miközben a készülék be van kapcsolva: győződjön meg róla, hogy a kapcsoló kikapcsolott állapotban van (mechanikus vezérlésű konvektor esetén).
- Gyúlékony tárgyakat, mint pl. bútorok, párnák, ágynemű, papír, ruhák, függöny stb. tartson legalább 100 cm távolságra a konvektortól.
- Ne használja a készüléket ott, ahol éghető anyagokat használnak vagy tárolnak (például: éghető gázok vagy aeroszolos palackok közelében) – nagyon nagy a robbanás és a tűz veszélye!
- Ne tegyen és ne engedjen idegen testeket bejutni a szellőztető (be- vagy kiáramló) nyílásaiba, mivel ez áramütést, tüzet vagy károsodást okozhat a konvektorban.
- A készülék nem megfelelő állapotok lakhelyének melegítésére, és csak otthoni használatra rendeltetett!
- Ne takarja el a védőrácsokat, ne akadályozza a levegő ki- és beáramlását, amikor a készüléket az adott felületre helyezi. Minden tárgynak legalább 1 méter távolságra kell lennie a készüléktől előre és oldalra is.

- A túlmelegedés leggyakrabban előforduló oka penész és por lerakódása a készülékben. Rendszeresen tisztítsa porszívóval a szellőző nyílásokat, de előtte kötelezően kapcsolja ki a készüléket az elektromos hálózatról.
- Soha ne érintse a készüléket vizes vagy nyirkos kézzel – életveszélyes!
- A konnektornak mindig elérhetőnek kell lenni, hogy a dugót szükség esetén a lehető leggyorsabban ki lehessen húzni! Soha ne húzza ki a tápkábelt vagy magát a készüléket kikapcsoláskor a hálózatról!
- Figyeljen a következőkre! A kiáramló levegő működés közben felmelegszik (100°C-nál magasabbra).
- Ha a készülék tápkábele sérült, függesztse fel a használatát, és forduljon a szállítóhoz/eladóhoz további utasításokért!
- Ha úgy dönt, hogy felhagy az ilyen típusú készülék használatával, ajánlatos használhatatlanná tennie azzal, hogy elvágja a tápkábelt, miután kikapcsolta a hálózatról. Ajánlatos továbbá minden a készülékkel kapcsolatos veszélyt elhárítani, különösen a gyerekek számára, akik a tönkrement berendezést (készüléket) játéknak használhatnak.
- A készüléknek nem szabad közvetlenül a foglalat fölött elhelyezkednie!
- Figyelem: Ne használja a készüléket programozóval, számlálóval vagy más olyan készülékkel, ami automatikusan bekapcsolja, mivel ha a készülék le van takarva vagy nem helyesen van felszerelve, tűzveszély áll fenn.
- Úgy helyezze el a tápkábelt, hogy ne zavarja az emberek mozgását, és ne lépjenek rá! Csak jóváhagyott hosszabbítókat használjon, amelyek megfelelnek a készüléknek, azaz van rajtuk megfelelő jelzés!
- Soha ne mozdítsa el a készüléket a kábelt húzva, és ne használja a kábelt tárgyak elmozdítására!
- Ne törje meg a kábelt, és ne húzza át éles szegélyeken, ne helyezze forró lemezre vagy nyílt lángra!

CSOMAGOLÁS

- A készülék kicsomagolása után ellenőrizze, hogy a szállításkor nem sérült-e meg, és hogy megvan-e minden darabja! Abban az esetben, ha észlelhető sérülés vagy hiány van, lépjen kapcsolatba meghatalmazott forgalmazójával!
- Ne dobja el az eredeti dobozt! Használható lehet tárolásra és szállításra, hogy elkerülje a szállításból adódó sérüléseket!
- A csomagoló anyag eldobásának megfelelő módon kell történnie! Óvjuk a gyerekeket attól, hogy polietilén zacskókkal játszanak!

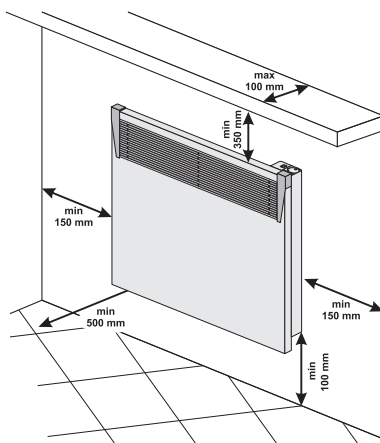
ÚTMUTATÓ A FELSZERELÉSHEZ

- Ezt a konvektort zárt helyiségekben falra szerelve való használatra tervezték.

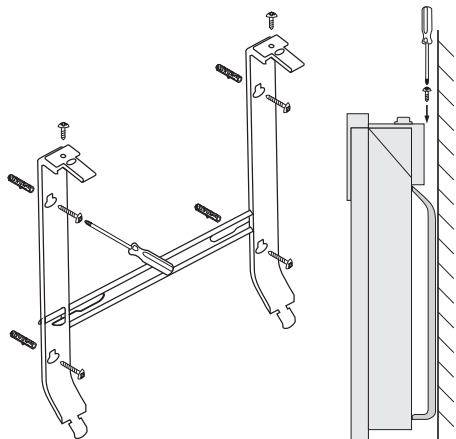


Fontos: 45 m³ fölötti térfogatú helyiségek esetén ajánlatos 2 vagy több konvektor kombinációjának a használata.

- Ne helyezze a konvektort elektromos csatlakozó vagy csatlakozó doboz alá.
- Ne szerelje fel/használja a konvektort
 1. olyan helyen, ahol léghuzat van, hogy ez nehegy befolyásolja a kontrollbeállításokat;
 2. közvetlenül elektromos csatlakozó alatt;
 3. 1-es számú térben (volume 1) fürdőszobákban;
 4. 2-es számú térben (volume 2), ha a műszerfal elérhető a zuhany alatt vagy a fürdőkádban lévő ember számára;
- A konvektor falaszereléséhez csak a konvektorral együtt árusított fali konzolt lehet használni. A konvektor falaszerelésékor be kell tartani a készüléktől való minimális távolságokat



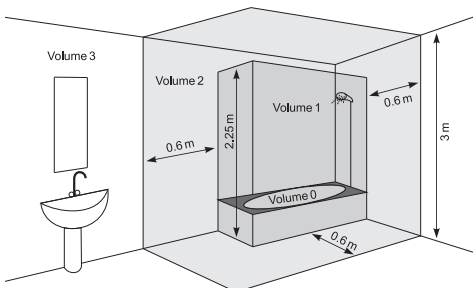
- Először távolítsa el a fali konzolt a hátsó géptestről. Csavarozza le a fali konzol két függőleges sínének felső részén elhelyezkedő két csavart. Ezután húzza szét a sín felső részét úgy, hogy erősen nyomja a hátsó testen csúsztatott két felső részt.



- Csúsztassa le a fali konzolt, hogy lekapcsolja a hátsó géptestről.
- Erősítse a fali konzolt erősen a falhoz a négy csavar számára készített lyuk segítségével.
- Emelje fel a konvektort majdnem függőleges helyzetig, és helyezze a fali konzol két alsó kiemelkedő részét a konvektor két alsó részébe a hátsó tartóban. Aztán emelje fel a konvektort, és helyezze a fali konzol két felső kiemelkedő részét a konvektor két felső részébe a hátsó tartóban. Végül tegye a helyére és húzza meg a két csavart, hogy szilárdan odaerősítse a konvektort a falhoz.

A FÜRDŐSZOBÁBAN VALÓ HASZNÁLAT

- A konvektort a szabályos kereskedelmi gyakorlattal összhangban és az adott ország törvényeinek megfelelően kell felszerelni (az EK elektromosságra vonatkozó irányelvei, speciális beszerelés és fürdőkádát vagy zuhanyfülkét tartalmazó helyiségek követelményei HD60364-7-701 (IEC 60364-7-701:2006)).



- Ha a konvektort fürdőszobában vagy más hasonló helyiségben használják, a következő követelményeket kell betartani a felszerelésnél: A konvektor IP24 védelemmel (csepegő víz elleni védelem) rendelkezik. E miatt a tény miatt a 2-es számú térben (VOLUME 2) (ld. az alábbi rajzot) úgy kell beépíteni, hogy elkerüljük a lehetőségét annak, hogy a konvektor műszerfala (a kapcsoló és a hőszabályozó) elérhető legyen a zuhany alatt vagy a fürdőkádban lévő ember számára. A készülék minimális távolsága a vízforrástól nem lehet kevesebb 1 méternél, és a készüléket kötelezően a falra kell szerelni! Ha nem biztos a konvektor fürdőszobába való beszerelését illetően, azt ajánljuk, hogy konzultáljon elektrotechnikus szakemberrel.

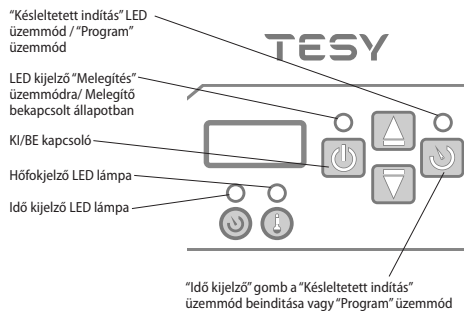
Megjegyzés: ha a fent megjelölt feltételeket nem lehet teljesíteni, ajánlott a beszerelést a 3-as számú térben (VOLUME 3) megvalósítani.


- Párás helyiségekben (fürdőszobában és konyhában) a tápforrást a padlótól minimum 25 cm magasságban kell felszerelni.
- A berendezést automatikus biztosítékkal kell ellátni, ahol a csatlakozók közötti távolság kikapcsolt állapotban minimum 3 mm kell hogy legyen.

AZ ÜZEMBEN TARTÁS HASZNÁLATI ÚTMUTATÓJA

ELEKTROMOS IRÁNYÍTÁS

Működési üzemmód



Kapcsolja be a konvektort és helyezze a kapcsolót "I" pozícióban (Bekapcsolt) .

Óra beállítás

Az óra beállítás csak kikapcsolt üzemmódban lehetséges – beállítható az aktuális heti nap, az óra és a percek.

Az óra beállítást az **“ON/OFF”** (“BE/KI”) és **“Idő kijelző”** gombnyomásokkal történik egy időben. A beállításra kívánt paraméter villog a kijelzőn. A kívánt paraméter kiválasztása egy rövid **“Idő kijelző”** gombnyomással történik. A beállítás a harmadik rövid **“Idő kijelző”** gombnyomással fejezhető be (a percek beállítása után).

A beállítás a heti nap kiválasztásával kezdődik 1-től 7-ig annak függvényében, hogy melyik nap van. Az óra és a percek egyidőben láthatóak a kijelzőn és csak a beállítási paraméter villog. A paraméter értéke azokkal a gombokkal ▲ és ▼ változhat.

Ha 10 másodpercen belül nem nyomható bármelyik gomb, akkor a beállítási folyamat megszakítható.

A „Melegítés” üzemmód bekapcsolása

Ha a panel konvektor kikapcsolt állapotban van, akkor a digitális kijelzőn megjelenik csak a jelenlegi szoba hőmérséklet és villágít csak a “LED hőmérséklet”. Egyszeri **“ON/OFF”** (“BE/KI”) gombnyomással a készülék átmege a “Melegítés” üzemmódban, azzal egyidőben bekapcsol azt az üzemmódot jelző piros színű világító dióda. A beállított hőmérséklet mértéke k.b. 2 másodpercig látható a digitális kijelzőn és ebben az időintervallumban a “LED hőmérséklet” nem világít. Ha a szobahőmérséklet kisebb mint a beállított hőmérséklet értéke, akkor a melegítő automatikusan bekapcsol.

Ha a melegítő be van kapcsolva, akkor a piros színű világító dióda állandóan világít!

A hőmérséklet beállítása

Valamelyik gomb ▲ vagy ▼ megnyomásával átmegehető a **“Hőmérséklet változtatás”** üzemmódban. A digitális kijelző kezd villogni és ezzel egyidőben ki lesz írva rajta addig a pillanatig beállított hőmérséklet értéke. Változtatni a beállítható hőmérséklet értéken a további gombok megnyomásával lehetséges. Ha 5 másodpercen belül nem lesz megnyomva új gombot, akkor az új feladat automatikusan memorizálható és bekapcsol a **„Melegítés”** üzemmód. Ha valamelyik gomb azokból ▲ vagy ▼ meg lesz nyomva 0,7 másodpercen túl, a beállított hőmérséklet mértéke automatikusan megy fel-vagy lefele 4 egységgel másodpercenként. A kívánt hőmérsékletet 10-től 30 Celsius-fokig beállítható.

“Késleltetett indítás” üzemmód bekapcsolása a panel konvektornál.

Ha a konvektor “Kikapcsolt” üzemmódban van, az “Idő kijelző” gombnyomással beállítható az idő és utána automatikusan a készülék átmege a “Melegítés” üzemmódban. Ez az üzemmód villogó sárga színű világító dióda és álvó piros színű világító dióda jelezhető. A digitális kijelzőn, ha “LED hőmérséklet” világít, akkor a környező hőmérséklet látható, ha pedig a “LED idő” világít, akkor a fennmaradó idő lesz látható. A “Késleltetett indítás” üzemmód bekapcsolása után a sárga színű világító dióda kezd világítani egészen a konvektor bekapcsolásig. Először 12 óráig töltődik fel és a ▲ vagy ▼ gombok megnyomásával megváltoztatható a kívánt irányba. Ha valamelyik gomb azokból ▲ vagy ▼ meg lesz nyomva 0,7 másodpercen felül, a beállított hőmérséklet mértéke automatikusan megy fel-vagy lefele 4 egységgel másodpercenként. Ha 5 másodpercen belül nem lesz megnyomva új vagy az “Idő kijelző” gombot, akkor az új feladat automatikusan memorizálható és bekapcsol a “Késleltetett indítás” üzemmód. Ha 00 idő lenne beállítva, akkor az üzemmód nem aktiválódik. Ha a “Késleltetett indítás” üzemmód van érvényben és újból be lenne nyomva a “Idő kijelző” gomb, akkor lehetséges a fennmaradó időt korrigálni mindkét irányba. Az idő beállítás után a “Késleltetett indítás” üzemmód aktiválódik, ezzel együtt a digitális kijelzőn megjelennek a “Melegítés” üzemmód beindításáig fennmaradó órák. Ettől az üzemmódtól ki lehet lépni a **“ON/OFF”** (“BE/KI”) gomb megnyomásával. Akkor a konvektor átmege a “Melegítés” üzemmódban. A “Késleltetett indítás” üzemmód be lehet állítani 01-től 96 óráig.

A “Melegítés” üzemmód kikapcsolása

A “Melegítés” üzemmódból ki lehet lépni **“ON/OFF”** (“BE/KI”) gomb megnyomásával. Akkor a melegítő kikapcsolódik és elalszik a piros színű világító dióda. A digitális kijelzőn továbbá is a szobahőmérséklet látható.

“Fagyvédelem” funkció

Ha a szobahőmérséklet 5 Celsius-fok alá esik és a konvektor kikapcsolt állapotban van (nem világít a piros színű világító dióda, de a kézi kapcsoló a “I” (Bekapcsol) $\frac{1}{2}$), helyzetben van), a melegítő automatikusan be fog kapcsolni egy esetleges fagyveszélyt kiküszöbölése érdekében.



A hőmérséklet érzékelő beállítása nem érvényes erre a funkcióra.

A funkció aktiválása és kikapcsolása:

- a funkció bekapcsolt állapotban van a gyári beállítások szerint;
- ha kikapcsolni szeretne a funkciót – a konvektor „Kikapcsolt” üzemmódban van, 3 másodpercig


megnyomva tartani a ▲ gombot azzal a "ON/OFF" ("BE/KI") gombbal együtt – a digitális kijelzőn az "ON" ("BE") kezd villogni, ha pedig a ▼ gombot, akkor elérhető lesz a „OFF” ("KI") pozíció, várni kell 3 másodpercig és a funkció automatikusan átmegy a "OFF" üzemmódban.

- ha újból szeretne bekapcsolni a funkciót, amikor a konvektor „OFF” ("KI") üzemmódban van és megnyomva tartania a ▲ gombot és a gomb "ON/OFF" ("BE/KI") három másodpercig, akkor a digitális kijelzőn kezd villogni „OFF” ("KI"), ha Ön megnyomja a ▼ gombot, akkor elérhető lesz az „ON” ("BE") pozíció, csak meg kell várni 3 másodpercig és a funkció automatikusan átmegy „ON” ("BE") üzemmódban.

"Hőmérsékleti jelző korrigálás" funkció

A különböző helység-hőmérsékleti tulajdonságok miatt lehetséges kis eltérés a digitális kijelzőn mutatott hőmérséklet és a valódi megmért hőmérsékletet a melegítő készülék különböző elhelyezkedő pontokon a szobában.

- az utolsó mutatott hőmérséklet érték a digitális kijelzőn;
- Mérje meg a hőmérsékletet ott ahol a szobahőmérséklet elég "kellemes" Önnek (általában ez 60 cm. a padló fölött, üve). Tapasztalt különbség $\pm 4^{\circ}\text{C}$ körül esetén Ön korrigálhatja ezt a konvektor menüjében (Fontos megjegyzés: ez a funkció csak akkor beállítható, ha a fűteni való helység már temperált (erre legkevesebb 7 óra szüksége) és ha használja a különbséget a megmért hőmérséklet és a konvektor digitális kijelzője mutatott hőmérséklet között.

 **Megjegyzés:** ez a funkció jobb hőmérsékleti komfortérzésre és energiatakarékosságra alkalmazható, abban a helységben ahol van a konvektor. Ha abban a helységben a különbség nagyobb mint $\pm 4^{\circ}\text{C}$, akkor azt jelenti, hogy a szoba, ahol a konvektor van nincsen jól szigetelve vagy temperálva.


Példa: a konvektor el van helyezve egy helységben, kőpadló fölött – a konvektor kijelzője mutatja 18 Celsius-fokot (22 Celsius-fok a beállított hőmérséklet), redlisan megmért hőmérséklet 22 Celsius-fok 60 cm. a padló fölött -> abban az esetben a konvektor továbbra is fűti a helységet, ami konkrét energiavesztést jelent, de abban az esetben a konvektor sosem fog kikapcsolni, mivel nagyon lent méri a hőmérsékletet. Ilyenkor szükséges a hőmérsékleti jelző beállítani +4°Celsius-fokra, így a konvektor digitális kijelzője 22 Celsius-fokot fog mutatni és a konvektor ON/OFF fog kapcsolni, így meg fogja tartani a beállított 22 Celsius-fok hőmérsékletet.

A funkció gyári beállítása 0 Celsius-fok

- ha Ön változtatni kívánja az értékét, a konvektor

"Kikapcsolt" állapotban van és a ▼ és a "ON/OFF" gombok 3 perces megnyomásával, a digitális kijelző 0 Celsius-fokot fog villogni. Ön megnyomhatja a ▼ vagy a ▲ gombot, így amikor eléri a 4o-tól 4°C-ig meg kell várni 3 másodpercet és a funkció automatikusan rögzíti magát.

- amikor ellenőrizni kívánja milyen korrekcióra van beállítva a készülék és ha a konvektor "Kikapcsolt" üzemmódról van beállítva, akkor meg kell nyomni 3 másodpercig a ▼ és a "ON/OFF" ("BE/KI") gombokat és a digitális kijelző el kezd villogni a beállított hőmérséklet. Be lehet állítani új értéket a -4°-tól 4°C-ig diapazonban a ▼ vagy ▲ gomb segítségével.

 **Megjegyzés:** A gyári beállítás funkció után be kell adni új hőmérséklet korrekció, mivel a gyári beállítás hőmérséklet értéke 0°C.


Adaptív indítás

- az adaptív indítási kontroll egy funkciót jelenti, amely előre kiszámolja az optimális kezdés a melegítési folyamatnak, annak érdekében hogy a beállított hőmérséklet el legyen érve a beállított időben;
- a funkció a gyári beállítás szerint működik;
- ha változtatni szeretne az értéket és a konvektor "OFF" ("KI") üzemmódban működik, Önnek meg kell nyomni 3 másodpercig a „▲” és az "Idő kijelző" gombokat, akkor a digitális kijelzőn kezd villogni az "A ON" és Önnek meg kell nyomni a „▼” gombot, így elérhető az "A OFF", meg kell várni 3 másodpercet és a funkció automatikusan memorizálódik.
- Ha vissza szeretne menni a "ON" ("BE") állapotban és a konvektor Kikapcsolt" üzemmódban működik, Önnek meg kell nyomni 3 másodpercig a ▲ és az "Idő kijelző" gombokat, akkor a digitális kijelzőn kezd villogni az "A ON" és Önnek meg kell nyomni a ▲ és a "Idő kijelző" gombokat gombot, így elérhető az "A OFF", meg kell nyomni a ▲ gombot amíg eléri az "A ON" állapotot meg kell várni 3 másodpercet és a funkció automatikusan memorizálódik.


Ez a funkció beállítható az Ön szükségei szerint. A készülék a beállított hőmérsékleti értékre működik, addig amíg nem éri el a komfortérzeti hőmérsékletet, ahhoz kell k.b. 17 óra. Be kell állítani olyan alacsonyabb hőmérsékletű időperiódust (ez legkevesebb 7 órát jelent) 4o-tól ± 1oC-ig különbséggel. Az adaptív irányítással hagyni kell az elektronikus hőszabályzót működni 4 ciklusban (4x24 óra), komfortérzeti ciklusban (17 óra) és lement hőmérséklet (7 óra). Miután az utolsó ciklust is befejezi a működés, a komfortérzeti hőmérsékletet el kell érni ± 30 perc eltérés keretében az adott időhöz képest és ebben az esetben csak $\pm 1^{\circ}\text{C}$ fokig lehet az eltérést a komfortérzeti hőmérséklettől.

“Gyermekvédelem”

A gombokat el lehet zárni, ha folyamatosan és egyszerre nyomja meg a ▼ és a “Idő kijelző” gombokat, így nem lehet már megváltoztatni a beállításokon. Tegye ugyanazt a gombok feloldására.

 **Megjegyzés:** Amikor a bilentüzet zárva van és Ön megnyomja néhány gombot, akkor a digitális kijelzőn a „LOC_” feliratot kell látnia

“Heti programbeállítás 24/7” beállításai

 A “Heti programbeállítás” üzemmód csak akkor állítható be, ha a készülékben van állítva az óra és a nap a hétből.

A beállítási üzemmód és a kilépés csak a hosszú “Idő kijelző” gomb megnyomással érhető el.

Három beállítási lehetőség van – nap a hétből, óra és hőmérséklet, az átkapcsolás az egyikről a másikra egy rövid “Idő kijelző” gomb megnyomásával történik a nap, óra, hőmérséklet sorrendben. A memorizálás egy rövid “Idő kijelző” gomb megnyomásával történik az utolsó paraméter (a hőmérséklet) beállításai után.

Az paraméterek értékei változtatása a ▲ és ▼ gombokkal történik meg.

Rögzítés feltételei

- Rögzítés után nem lehet változtatni a jelen beállítás kilépéséről.
- Minden napi rögzítés pillanatában a többi napi pont előre törölődnek.
- További napi pontok rögzítése csak a nap végeig lehetséges, az utolsó rögzített pont után.
- Rögzítéskor a nap utolsó órájában (23:30 óra) már nem lehet több rögzítést csinálni, a digitális kijelzőn “FUL” feliratot látható és a nap száma.
- Ha az adott napon nem lett rögzítve semmi, akkor láthatóak lesznek az utolsó beállítási értékek.

A beállítások célja rögzíteni a három paraméter az un. beállítási pontok, ennek az a lényege hogy minden beállítási ponton a beállított hőmérséklet érvénye a következő olyan.


Példa: Ha az adott napban 7 órakor Ön rögzítette 22 Celsius-fok hőmérsékletet a szobában és azt szeretne, hogy ez így maradjon 19 óráig (akkor az a terve, hogy a hőmérséklet 23°C legyen), akkor nem szükséges minden órában rögzíteni a kívánt hőmérsékletet, elég ha 7 órakor memorizálva lesz a 22°C és 19 órakor a 23°C legyen. Alapbeállításon 7-től 19-ig a hőmérséklet változatlanul 22°C lesz.

A minden pont rögzítés mechanizmusa a következő:

A Beállítások belépése után a digitális kijelzőn egy villogó day1 felirat látható, ami azt jelent hogy ez a beállításra váró paraméter (abban az esetben nap a hétből).

- A ▲ és ▼ gombokkal kiválasztható a kívánt napot
- Az “Idő kijelző” gomb rövid nyomással átmehető az óra beállításához
- A ▲ és ▼ gombokla választható a kívánt óra (0,5 óra lépéssel) minden pontnál
- Az “Idő kijelző” gomb rövid nyomással átmehető a hőmérséklet beállításához
- A ▲ és ▼ gombokkal kiválasztható a kívánt hőmérsékletet. A lehetséges értékek 10-től 30°C-ig és kikapcsolt állapot (KI).
- Az “Idő kijelző” rövid gomb nyomással intézhető pont rögzítés és átmehető a következő pont beállításához (a kijelzőn újra dayX látható) és átmehető a következő pont paragrafushoz.
- Rögzítéskor a nap utolsó órájában (23:30 óra)már nem lehet több rögzítést csinálni, a digitális kijelzőn “FULL” feliratot látható és a nap száma.


 **FIGYELEM:** A pontok az adott napban csak felemelkedő sorrendben lehet rögzíteni..


 **Infó:** Paragrafus f) rögzítése előtt a kezelő mehet vissza teljesen a paragrafus a) a pont három paragrafus javítására, ezt pedig rövid (ON/OFF) gomb nyomással oldhatja meg, anélkül hogy ezt rögzítésre kerül a memóriában.

A pontok írás hozzáadása véletlenül is lehet csinálni, más napi pontok után, de figyelemben kell venni a felemelkedő rend a napi óráknak.

A kilépés a beállításokból hosszú “Időjelző” gombnyomással lehetséges vagy 30 másodperces kivarással.

A beállítás kilépés után meh lehet nézni a rögzített pontokat a ▲ és ▼ gombok segítségével, ha a készülék program üzemmódban van.

 **Megjegyzés:** A bekapcsolás után a készülék átmegy a melegítési üzemmódban, mélyben utóljára működött.

 **Megjegyzés:** Az üzemmód váltás (melegítés vagy program), rövid “Időjelző” gombnyomással a bekapcsolt állapotban.

„Nullázás” funkció a gyári beállításokig

Ha a konvektor „Kikapcsolt” üzemmódban van, akkor egyszerre megnyomhatóak 6 másodpercre a ▲ és a ▼ gombok és ezután a kijelző el kezd villogni „_ _ _ _” és el kezdenek körbe járni a jelek. Ha Őn „Nullázás” funkciót használ, akkor a kijelzőn látható a megmért környezet hőmérséklet értéke.

A nullázás funkció használata után, újra be kell állítani a következő funkciókat

- óra beállítás;
- érték rögzítés a hőmérséklet korrigálásához (ha szükséges);
- a Fagyvédelem funkció kikapcsolása (ha szükséges);
- adaptív indítás kikapcsolása (ha szükséges);
- heti programbeállítás - 24/7.

Ha az elektromos konvektor kikapcsolódik a hálózattól, ez nem változtatja a beállított hőmérsékletet és a munka menetet, megmarad a kikapcsolat előtt. Ha a készülék utoljára a „Melegítés” üzemmódban működött, akkor a bekapcsoláskor megint ugyanebben az üzemmódban fog működni, ugyanazzal a beállított hőmérséklettel.



Az elektromos konvektor munka lényega az, hogy a memóriájával 90 percig tud tárolni a beállításokat, garancia nélkül pedig 150 percig.

Ha az adott helység hőmérséklete alacsonyabb annál a hőmérsékletnél, melyét be van állítva az elektromos hőszabályzó segítségével, akkor a konvektor bekapcsol és addig fog üzemelni, amíg a helység hőmérséklete nem éri el a beállított értéket. Ha az adott helység hőmérséklete magassabb annál a hőmérsékletnél, melyét be van állítva az elektromos hőszabályzó segítségével, akkor a konvektor automatikusan bekapcsol a „Készenléti” üzemmódban.

Mi látható, ha nincs beállítás

Показания на индикацията, ако не сме в настройка:

a. *Kikapcsolt üzemmódban – folyamatos jelzés:*

- óra (óra és percek)
- megmért szobai hőmérséklet

b. *Melegítés üzemmódban – mutatja a megmért szoba hőmérsékletet*

c. *Program üzemmódban – folyamatos jelzés:*

- nap a hétből, alsó kötőjel és a megmért hőmérsékletet. 6_22

- nap a hétből, alsó kötőjel és villogó beállított hőmérséklet értéke (jelen óra beállításai), amelyik a KI jel is lehet. 6_23

d. *A konvektor bekapcsolásakor, a digitális kijelzőn láthatóak:*

- kötőjelek “----”, ha a kikapcsoláskor a konvektor kikapcsolt állapotban volt.
- kötőjelek “----”, amelyek 2 másodperc múlva a jelenlegi hőmérséklet értéket mutatja, ha a kikapcsoláskor a konvektor bekapcsolt állapotban volt.

e. *Két szám (01 ÷ 96) kombináció a sárga fényű világító dióddal villogásával, ami mutatja mennyi idő marad hátra a késleltetett indításig, ha a kikapcsolás pillanatában a konvektor “Késleltetett indítás” üzemmódban volt.*

f. *Külön energiatakarékosság érdekében az elektromos hőszabályzó csökkenti az össze világító dióda fényerősségét. Véletlen gombmegnyomásával, 8 másodperc alatt a fényerősség emelkedik, utána megint csökken.*

g. *Ha a digitális kijelzőn “t0” vagy “t1” látható, akkor azt jelenti hogy az önvizsgáló rendszer problémát észlelt a hőszabályzóval. A „t0” megszakított vezetékert jelente, a “t1” pedig valamilyen rövidzárlatot jelent. Ebben az esetben a konvektor kikapcsol és csak a probléma javítása után lehet újra bekapcsolni. A konvektor javítása csak is szakemberre bízható.*

h. *Ha bekapcsol a készülék 2 másodpercig a kijelzőn csak kötőjelek “----” láthatóak hőmérséklet vagy idő helyett.*

i. *Ha a digitális kijelzőn a hőmérséklet értéke látható, akkor világít a “LED hőmérséklet”, ha pedig késleltetett indítás ideje látható, akkor világít a “LED idő”.*

VÉDELEM

- A készülék biztonsági hőmegszakítóval rendelkezik, amely automatikusan kikapcsolja a vízmelegítőt a hőmérsékletnek a konvektorban a megengedett érték fölül emelkedése (a készülék ún. túlmelegedése) esetén.
- A biztonsági hőmegszakító automatikusan újraindítja a konvektor működését, amint a készülék hőmérséklete a megengedett maximális határérték alá esik.

TISZTÍTÁS

- Először kötelezően kapcsolja ki a készüléket a kapcsolóval, és húzza ki a dugót a konnektorból. Mielőtt elkezdené a konvektor tisztítását, hagyja kihűlni, miután kikapcsolta az áramból.
- A konvektort minimális erőfeszítéssel lehet tisztítani a hátsó részén – egyszerűen nyomja meg a „P”-alakú csavarokat a készülék hátulján (2. ábra), mivel így szabadabbá tudja tenni és megfelelően tisztítani a hátsó részét.
- Tisztítsa meg a géptestet nedves törülkövel, porszívóval vagy kefével.
- Soha ne merítse a készüléket vízbe – életveszélyes áramütés veszélye áll fenn!
- Soha ne használjon benzint, hígítót vagy durva csiszoló anyagot a tisztításra, mivel ezek károsítják a készülék felületét.

TÁROLÁS

- Mielőtt eltenné a konvektort, hagyja kihűlni, miután kihúzta a konnektorból.
- Használja az eredeti csomagolást a konvektor tárolására, ha hosszabb ideig nem használja azt. Az eredeti csomagolásba visszacsomagolva védi a terméket a túlzott porosodástól és szennyeződéstől.
- Soha ne tegye a készüléket melegen a csomagolásba!
- A terméket száraz és közvetlen napfénytől védett helyen kell tárolni.
- Kifejezetten tilos páras vagy nedves helyen tárolni.

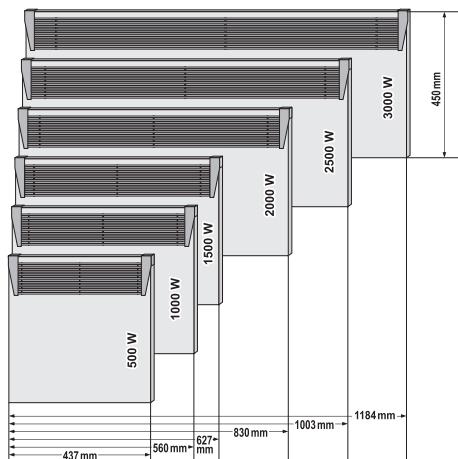
A KÉSZÜLÉK SZERVÍZI KARBANTARTÁSA

- A készülék meghibásodása esetén forduljon az önhöz legközelebbi (a termék jótállási jegyén feltüntetett) szakszervizhez.
- **Fontos:** Reklamáció és/vagy vásárlói jogainak megsértése esetén forduljon a készülék forgalmazójához a feltüntetett címeken vagy a társaság internetes oldalán keresztül: www.tesy.com.

A KÉSZÜLÉK MÉRETEI, A FÜTENDŐ HELYSÉG TÉRFÖGATA ÉS TERÜLETE

Modell	Fűtendő térfogat	Fűtendő terület
CN 03 050 EIS W - 500W	10* - 15 m ³	4* - 6 m ²
CN 03 100 EIS W - 1000W	20* - 30 m ³	8* - 12 m ²
CN 03 150 EIS W - 1500W	30* - 45 m ³	12* - 18 m ²
CN 03 200 EIS W - 2000W	40* - 60 m ³	16* - 24 m ²
CN 03 250 EIS W - 2500W	50* - 70 m ³	20* - 28 m ²
CN 03 300 EIS W - 3000W	60* - 80 m ³	24* - 32 m ²

* A minimális garantált fűtendő térfogat (terület) a hővezetőképesség átlagos $\lambda=0.5 \text{ W}/(\text{m}^2\text{K})$ koeficiensénél a fűtendő helyiségre. A fűtendő térfogat (terület) magasabb értékei elérhetik a $\lambda=0.35 \text{ W}/(\text{m}^2\text{K})$ átlagértéket. A helyiség szabvány magassága 2,5 méter.



Figyelem: a túlhevülés elkerülése érdekében ne takarja le a készüléket!



A környezetvédelemre vonatkozó utasítások

A régi elektromos berendezések értékes anyagokat tartalmazhatnak, ezért nem szabad őket a háztartási hulladékkal együtt kidobni! Kérjük, járuljon hozzá a környezetvédelemhez az erőforrások és a környezet megőrzéséhez, és adja le a készüléket szervezett felvásárló ponton (ha létezik ilyen).

2. TÁBLÁZAT: AZ ELEKTROMOS EGYEDI HELYSÉGFŰTŐ BERENDEZÉSEK TERMÉKINFORMÁCIÓS KÖVETELMÉNYEI

Modellazonosító (k): 1.CN03 050 EIS W; 2.CN03 100 EIS W; 3.CN03 150 EIS W; 4.CN03 200 EIS W; 5.CN03 250 EIS W; 6.CN03 300 EIS W 230V~ 50Hz

Jellemző	Jel	Érték 1	Érték 2	Érték 3	Érték 4	Érték 5	Érték 6	Mértékegység	Jellemző	Mértékegység
Hőteljesítmény									A hőbevitel típusa (csak a hőtárolós elektromos egyedi helyiségfűtő berendezések esetében – egyet jelöljön meg)	
Névleges hőteljesítmény	P_{nom}	0.50	1.00	1.50	2.00	2.50	3.00	kW	Kézi töltésszabályozás beépített termosztáttal	[nem]
Minimális hőteljesítmény (indikatív)	P_{min}	0.00	0.00	0.00	0.00	0.00	0.00	kW	"Kézi töltésszabályozás beltéri és/vagy kültéri hőmérséklet-visszacsatolással"	[nem]
Maximális folyamatos hőteljesítmény	$P_{max,C}$	0.50	1.00	1.50	2.00	2.50	3.00	kW	Elektronikus töltésszabályozás beltéri és/vagy külső hőmérséklet-visszacsatolással	[nem]
Kiegészítő villamosenergia-fogyasztás									Ventilátorral segített hőleadás	[nem]
A névleges hőteljesítményen	e_{lmax}	0.43	0.93	1.44	1.91	2.45	2.91	kW	A teljesítmény, illetve a beltéri hőmérséklet - szabályozásának típusa (egyet jelöljön meg)	
A minimális hőteljesítményen	e_{lmin}	0.00	0.00	0.00	0.00	0.00	0.00	kW	Egyetlen állás, beltéri hőmérséklet-szabályozás nélkül	[nem]
Készletléti üzemmódban	e_{lSB}			0.00033				kW	Két vagy több kézi szabályozású állás, beltéri hőmérséklet-szabályozás nélkül	[nem]
									"Mechanikus termosztátos beltéri hőmérséklet-szabályozás "	[nem]
									Elektronikus beltéri hőmérséklet-szabályozás	[nem]
									Elektronikus beltéri hőmérséklet-szabályozás és napszak szerinti szabályozás	[nem]
									Elektronikus beltéri hőmérséklet-szabályozás és heti szabályozás	[igen]
									Más szabályozási lehetőségek (többet is megjelölhet)	[nem]
									Beltéri hőmérséklet-szabályozás jelenlét-érzékeléssel	[nem]
									Beltéri hőmérséklet-szabályozás nyitottablak-érzékeléssel	[nem]
									Távszabályozási lehetőség	[nem]
									Adaptív bekapcsolásszabályozás	[igen]
									Működési idő korlátozása	[nem]
									Fekete gomb-érzékelővel ellátva	[nem]

TESY Ltd
48 Madara Blvd,
Shumen, 9700,
Bulgaria

! Przeczytaj niniejszą instrukcję przed użyciem urządzenia oraz zachowuj te wskazówki do późniejszego wykorzystania. W przypadku zmiany właściciela, instrukcje należy przekazać razem z urządzeniem.

Dziękujemy Państwu, że wybraliście konwektor CN03. Jest to artykuł, który zapewni ogrzewanie w zimie w zależności od tego, ile Państwo potrzebuje, aby osiągnąć komfortowego ciepła w ogrzewanym pomieszczeniu. Przy odpowiednim użytkowaniu i konserwacji, jak jest opisano w niniejszej instrukcji, urządzenie zapewni Państwu wiele lat swej użytecznej pracy.

WAŻNE INFORMACJE ORAZ INSTRUKCJE, DOTYCZĄCE BEZPIECZEŃSTWA:

! *Dzieci w wieku poniżej 3 lat powinny być utrzymywane daleko od urządzenia, chyba że nadzorują się pod stałym nadzorem.*

Dziociom w wieku od 3 lat do 8 lat można korzystać tylko z przycisku Wł. / Wył. na urządzeniu, przy tym pod warunkiem, że urządzenie było już wcześniej zainstalowane i jest gotowe do normalnej pracy oraz jedynie, jeśli są one nadzorowane i uprzednio instruowane, co do stosowania konwektora w sposób bezpieczny - i rozumieją, że może ono być niebezpieczne.

Dzieci w wieku od 3 lat do 8 lat nie powinny być dopuszczane do podłączenia urządzenia do sieci zasilania, do ustawienia go, do czyszczenia urządzenia lub obsługi konserwacyjnej.

Dane urządzenie może być używane przez dzieci w wieku powyżej 8 lat i osób o ograniczonej sprawności fizycznej, sensorycznej lub umysłowej, lub nieposiadających niezbędnego doświadczenia oraz wiedzy tylko pod warunkiem, że są one nadzorowane lub poinstruowane na temat bezpiecznego korzystania z urządzenia, i rozumieją możliwe zagrożenia. Dzieci nie powinny bawić się urządzeniem. Czyszczenie i obsługa nie powinny być przeprowadzone dziećmi bez nadzoru osób dorosłych.

! *Niektóre części tego produktu mogą stać się bardzo gorące i spowodować oparzenia. W obecności dzieci oraz osób nieobronnych kwestiom bezpieczeństwa należy zwrócić szczególną uwagę.*

- Przed podłączeniem urządzenia - sprawdź czy napięcie, ukazane na tabliczce znamionowej, odpowiada napięciu dostarczanemu do Państwa domu.
- Dane urządzenie może być używane jedynie do celów, dla których jest ono przeznaczone, tj. do ogrzewania pomieszczeń mieszkaniowych. Urządzenie nie jest przeznaczone do celów handlowych. Każde inne zastosowanie będzie uważane za niewłaściwe i więc niebezpieczne. Producent nie ponosi odpowiedzialności za jakiegokolwiek szkody, wynikające z niewłaściwego i nadmiernego użycia urządzenia. Nieprzestrzeganie informacji dotyczących bezpieczeństwa unieważnia zobowiązania gwarancyjne producenta.
- Nie wychodź z domu, gdy urządzenie jest włączone. Upewnij się, iż przycisk jest w pozycji „wyłączone” (dotyczy konwektorów z mechanicznym sterowaniem).
- Trzymaj łatwopalne elementy - takie jak meble, poduszki, pościel, dokumenty, ubrania, zasłony itp. – w odległości co najmniej 100 cm od konwektora.
- Nie należy korzystać z urządzenia w miejscu, gdzie magazynują się albo używa się z łatwopalnych substancji (jak np.: w pobliżu łatwopalnych gazów lub aerozoli) - istnieje wysokie ryzyko pożaru i wybuchu!
- Nie wkładaj ani nie pozwalaj żeby obce przedmioty trafiły do otworów wentylacyjnych (zarówno do wchodzących jak i do wychodzących), gdyż może to spowodować porażenie prądem, pożar lub zniszczenie konwektora.
- Urządzenie nie nadaje się do celów hodowlanych, przeznaczony jest jedynie do użytku domowego!

- Nie nakrywaj kratki bezpieczeństwa, nie blokuj przepływu powietrza na wewnątrz oraz na zewnątrz poprzez umieszczenie urządzenia naprzeciwko bliższej powierzchni. Wszystkie rzeczy muszą być w odległości nie mniej niż 1 metr od urządzenia – czołowo oraz z jego boków.
- Najczęstszą przyczyną przegrzewania urządzenia jest nagromadzenie kłaczków i pyłu wewnątrz korpusu. Należy regularnie czyścić otwory wentylacyjne odkurzaczem. Przed tym jak to zrobić, odłącz urządzenie od sieci.
- Nie wolno dotykać urządzenia wilgotnymi rękami - zagrożenie życia!
- Gniazdko musi być dostępne w każdej chwili, tak, żeby w razie konieczności można było jak najszybciej wyjąć wtyczkę! Nigdy nie ciągnij za przewód zasilający lub same urządzenie w celu odłączenia od zasilania.
- Zanotuj sobie! Powietrze wylatujące z konwektora w czasie pracy się nagrzewa (do temperatury ponad 100°C).
- Jeśli przewód zasilający urządzenia ulegnie uszkodzeniu, należy natychmiast przerwać korzystanie z tamtego i skontaktować się ze sprzedawcą / dostawcą na temat otrzymania dalszych instrukcji.
- Jeśli zdecydujesz się przestań korzystać z urządzenia tego typu, zaleca się, aby zrobić go bezużytecznym, przecinając po odłączeniu od sieci przewód. Zaleca się również, by zabezpieczyć się przed wszystkimi zagrożeniami, związanymi z tym urządzeniem, zwłaszcza, co do dzieci, które mogłyby wykorzystać z amortyzowanego urządzenia do gry.
- Urządzenie to nie powinno być umieszczane bezpośrednio pod gniazdem sieciowym!
- UWAGA: Nie wolno używać urządzenia łącznie z programatorem, licznikiem lub innym urządzeniem do automatycznego włączenia go, gdy urządzenie zostało pokryte lub z powodu nieprawidłowego usytuowania go istnieje ryzyko pożaru.
- Umieść kabel zasilający tak, aby nie zakłócać ruchu w pobliżu oraz by nikt nie deptał po nim! Stosować wyłącznie atestowane przedłużacze, które są właściwe dla danego produktu, tj. posiadają Znak zgodności!
- Nie zgniataj przewodu, nie ciągnij go po ostrych krawędziach, nie stawiaj go na gorącej płycie lub niedaleko ognia!


OPAKOWANIE

- Po rozpakowaniu urządzenia należy sprawdzić, czy podczas transportowania nie zostało ono uszkodzone oraz czy jest w pełni wyposażone! W przypadku stwierdzenia uszkodzeń lub niekompletne dostawy, należy skontaktować się z autoryzowanym sprzedawcą!
- Nie wyrzucaj oryginalnego opakowania! Może ono być używane do przechowywania oraz do transportu, w celu uniknięcia uszkodzenia podczas transportowania urządzenia!
- Usuwanie materiałów opakowaniowych należy

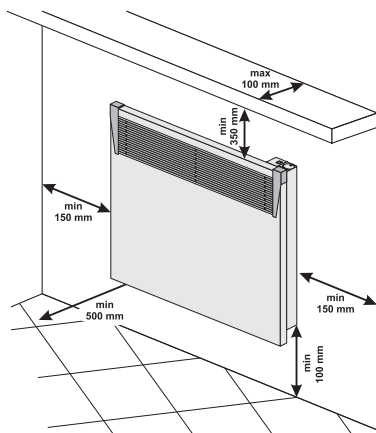
dokonać w odpowiedni sposób! Zapobiegać jakichkolwiek możliwych sytuacji, gdy dzieci grałyby z plastikowymi workami!

INSTRUKCJA MONTAŻU

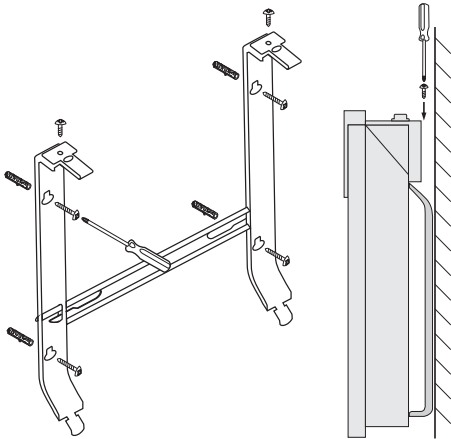
- Dany konwektor jest przeznaczony do stosowania wewnątrz pomieszczeń zamkniętych, po zamontowaniu na ścianie.

 **Ważne:** W pomieszczeniach, przestrzeń których jest powyżej 45 m³, zalecane jest stosowanie z kombinacji z dwóch i więcej konwektorów.

- Nie umieszczaj ten konwektor bezpośrednio pod gniazdem sieciowym czy pod skrynką przyłączeniową!
- Nie wolno instalować / używać konwektor:
 1. w miejscu, gdzie istnieje ciąg - aby nie powodować wpływu na ustawienia sprzętu.
 2. bezpośrednio pod gniazdem sieciowym;
 3. w obszarze przestrzeni 1 (volume 1) w łazienkach;
 4. w obszarze przestrzeni 2 (volume 2) w przypadkach, gdy do pulpitu sterowniczego może się dociągnąć osoba, znajdująca się pod prysznicem lub w wannie;
- W celu zamontowania konwektora na ścianie powinno używać tylko z uchwytów ściennych dostarczonych razem z konwektorem. Przy zamontowaniu konwektora należy przestrzegać minimalnych odległości od urządzenia



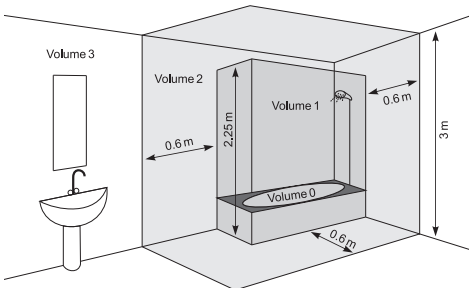
- Najpierw należy usunąć uchwyty ścienne z tylnej ścianki obudowy. Potem odkręcić dwa śruby, znajdujące się w górnej części dwóch pionowych pasków uchwytów ściennych. Następnie - wyciągnąć uchwyty, trzymając je za górną część, przyciskając mocno ich schowane w tylnej obudowie górne odcinki.



- Przesunąć w dół uchwyt ścienny, by usunąć go z tyłu obudowy.
- Zamocować mocno ku ścianie uchwyt ścienny za pomocą czterech przewierconych uprzednio dziur na śruby.
- Podnieść konwektor prawie do pionowej pozycji i włożyć dwa dolne wystające odcinki uchwytów ściennych do dwóch szczelin znajdujących się w dolnej tylnej części pokrywy konwektora. Następnie podnieść konwektor prawie do góry i włożyć dwa górne wystające odcinki uchwytów ściennych do dwóch szczelin znajdujących się w górnej tylnej części pokrywy konwektora. W końcu z powrotem na miejsce dokręcić dwa śruby w celu stałego przymocowania konwektora do ściany.

KORZYSTANIE ZE SPRZĘTU W ŁAZIENCE

- Konwektor musi być zamontowany zgodnie z normalną praktyką handlową i zgodnie z prawem konkretnego kraju (wytyczne dotyczące energii elektrycznej WE oraz wymagania w odniesieniu do specjalnych rodzajów montażu lub zamontowania w przestrzeniach typu łazienek czy kabin prysznicowych: HD60364 – 7 - 701 (IEC 60364 - 7 - 701:2006)).



- W przypadkach, gdy z konwektora używają w łazience lub innym podobnym pomieszczeniu,

muszą być spełnione następujące wymagania, dotyczące montażu: Konwektor posiada system ochronny IP24 (ochrona przed bryzgami wody). W związku z tym musi być zamontowany w przestrzeni 2 (volume 2) (patrz wykres poniżej), aby uniknąć ewentualnej możliwości osiągnięcia tego pulpitu sterującego (przełącznik i termostat) konwektora przez osobę, która znajduje się pod prysznicem lub w wannie. Minimalna odległość od urządzenia do źródła wody nie może być mniejsza niż 1 m, a urządzenie koniecznie ma być zamontowane na ścianie! Jeśli nie jesteś pewien, co do zamontowania tego konwektora w pomieszczeniu przeznaczonym na łazienkę, zalecamy Państwu skonsultować się z zawodowym elektrykiem.



Uwaga: W przypadku, gdy spełnienie wyżej wymienionych warunków nie jest możliwe, zaleca się wykonanie montażu w przestrzeni 3 (volume 3).

- W wilgotnych pomieszczeniach (np. w łazienkach i kuchniach) źródło zasilania musi być zamontowane na wysokości co najmniej 25 cm od podłogi.
- Instalacja elektryczna musi być wyposażona w automatyczny bezpiecznik, odległość pomiędzy stykami którego w wyłączonym stanie musi wynosić co najmniej 3 mm.

INSTRUKCJA UŻYTKOWANIA

STEROWANIE ELEKTRONICZNE

Tryby robocze

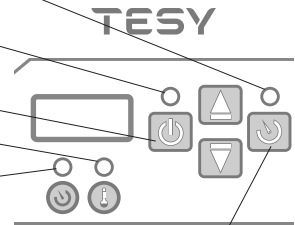
Tryb diody świetlnej „Opóźniony start” / Tryb „Program”

Dioda świetlna trybu „Ogrzewanie” / podgrzewacz jest włączony



Przycisk ON/OFF

Dioda świetlna temperatury

Dioda świetlna czasu



Przycisk „Minutnik” do włączenia trybu „Opóźniony start” lub trybu „Program”

Włącz konwektor, naciśnij Klucz do pozycji „I” (Włączono)  .

Ustawianie zegara

Ustawianie zegara jest możliwe tylko w trybie „Włączono” – ustawia się aktualny dzień niedzieli, godzina i minuty.

Tryb ustawiania zegara aktywuje się długotrwałym przyciśnięciem przycisków „ON/OFF” i „Timer” razem. Ten parametr, który aktualnie ustawia się, mruga na wyświetlaczu. Wybór parametru do ustawiania odbywa

się przez krótkie naciśnięcie przycisku „Timer”. Wyjście z trybu ustawiania odbywa się za pomocą trzykrotnego krótkiego naciśnięcia przycisku „Timer” (po ustawieniu minut).

Ustawienie rozpoczyna się od dnia tygodnia, od 1 do 7, w zależności od tego, jaki jest po kolei w tygodniu bieżący dzień tygodnia, zaznaczony w ustawieniach poprzez odpowiednią cyfrę. Godziny i minuty są wyświetlane jednocześnie na wyświetlaczu, przy tym mruga tylko ustawiany parametr. Zmiana wartości parametru odbywa się za pomocą przycisków ▲ i ▼.

Jeśli w ciągu 10 sekund nie zostanie naciśnięty żaden przycisk, urządzenie wychodzi z trybu ustawienia.

Włączenie trybu „Ogrzewania”

Gdy konwektor płytowy jest wyłączony, na wyświetlaczu cyfrowym ma być wyświetlana temperatura w pomieszczeniu. Świeci jedynie „dioda świetlna temperatury”. Jednorazowym naciśnięciem przycisku „On / Off” przełączamy do trybu „Ogrzewanie”. Włącza się czerwona dioda, co wskazuje działanie w tym trybie. W ciągu około 2 sekund na wyświetlaczu cyfrowym wyświetlana jest zadana temperatura, w tym okresie „dioda temperatury” nie świeci. Jeśli temperatura w pomieszczeniu jest niższa, niż ustawiona, wtedy automatycznie włącza się ogrzewacz.

Kiedy grzejnik jest włączony, czerwona dioda świeci cały czas!

Ustawienie temperatury

Naciśnięcie jednego z przycisków ▲ lub ▼, powoduje wchodzenie w tryb „Zmiana ustawionej temperatury”. Wyświetlacz zaczyna migać i wyświetla aktualnie ustawioną temperaturę. Następującym naciśnięciem klawisz możemy zmienić ustawienie w pożądanym kierunku. Jeśli przez 5 sekund nie naciśniemy żadnego przycisku, nowe ustawienie zostaje zapisane. Sprzęt automatycznie wchodzi w tryb **Ogrzewania**. Jeżeli naciskać którykolwiek z przycisków ▲ lub ▼ dłużej niż 0,7 sekundy, stopień ustawionej temperatury zaczyna się automatycznie zwiększać lub zmniejszać z prędkością 4 jednostki na sekundę. Granice regulacji ustawionej temperatury znajdują się w zakresie od 10 do 30 stopni.

„Opóźniony start” włączenia konwektora płytowego.


Kiedy konwektor jest w trybie „Wyłączonym”, naciskając na przycisk „Minutnik” możemy ustalić czas, a następnie automatycznie przejść w tryb „Ogrzewania”. Ten tryb sygnalizuje się miganiem żółtej diody, czerwona dioda LED jest ugaszona. Cyfrowy wyświetlacz będzie kolejno pokazywał dane temperatury otoczenia, gdy świeci „LED temperatury” a pozostały do włączenia „Ogrzewania” czas w godzinach, gdy świeci „LED czasu”. Natychmiast po włączeniu tego trybu żółta dioda zapala się i miga, wyświetlacz tymczasem zaczyna migotać wyświetlając

wprowadzany czas do włączenia konwektora (w godzinach). Początkowo wyświetla się znaczenie „12 godzin”, po tym, naciskając na przyciski ▲ lub ▼ zmieniamy czas w żądanym kierunku. Jeżeli naciskać którykolwiek z przycisków ▲ lub ▼ prędkością 4 jednostki na sekundę. Jeśli przez 5 sekund nie nacisnąć na nowy przycisk lub naciśniemy na przycisk „Minutnik”, regulator przełącza się na tryb „Opóźnionego startu”. Jeśli wprowadzone jest 00, tryb nie zaktywuje się. W przypadku, gdy sprzęt już działa w trybie „Opóźnienia startu”, a następnie naciśniemy ponownie na przycisk „Minutnik”, to możemy ustawić pozostały czas w dwóch możliwych kierunkach. Po ustawieniu czasu konwektor przechodzi w tryb „Opóźniony start”, przy tym wyświetlacz oprócz temperatury wyświetla godziny, pozostałe do aktywizacji trybu „Ogrzewania”. Tryb ten może być anulowany przez naciśnięcie przycisku „On / Off”. Konwektor w takim razie przełącza się do trybu „Ogrzewania”, „Opóźniony start” można ustawić w zakresie od 01 do 96 godzin.

Wyłączenie trybu „Ogrzewania”

Tryb ogrzewania ten może być anulowany naciśnięciem przycisku „On/Off”. Jeżeli ogrzewacz był przed tym włączony, to się wyłącza się, i czerwona dioda świetlna gaśnie. Wyświetlacz nadal wyświetla temperaturę w pomieszczeniu.

Funkcja „Zapobieganie zamarzaniu”

Jeżeli temperatura w pomieszczeniu spadła poniżej 5 stopni, a konwektor jest wyłączony (czerwona dioda LED nie świeci się, ale mechaniczny przełącznik jest w pozycji „I” (Włączono ), ogrzewacz automatycznie się włączy w celu zabezpieczenia przed zamarzaniem.



Ustawianie korekcji temperatury za pomocą czujnika temperatury nie dotyczy tej funkcji..


Włączanie i wyłączanie tej funkcji:

- funkcja jest domyślnie włączona.
- w razie życzenia wyłączyć tę funkcję - konwektor jest w pozycji „Wyłączony”, naciskamy przycisk ▲ i „przycisk On/Off” w ciągu trzech sekund - na wyświetlaczu zaczyna mrugać „ON”; poprzez naciśnięcie przycisku ▼ przechodzi się do pozycji „OFF” i po odczekaniu 3 sekund funkcja automatycznie przełączy się do trybu „OFF”.
- w razie życzenia ponownie włączyć tę funkcję - konwektor jest w pozycji „Wyłączony”, naciskamy przycisk ▲ i „przycisk On/Off” w ciągu trzech sekund - na wyświetlaczu zaczyna mrugać „OFF”; poprzez naciśnięcie przycisku ▼ przechodzi się do pozycji „ON” i po odczekaniu 3 sekund funkcja automatycznie przełączy się do trybu „ON”.

PL Funkcja korekcji temperatury czujnika temperatury

Ze względu na specyfikę profilu temperatury w odrębnych pomieszczeniach mogą występować różnice pomiędzy temperaturą wskazaną na wyświetlaczu ogrzewacza i realną temperaturą w zależności od ułożenia ogrzewacza w różnych miejscach w pomieszczeniu.

- Sprawdź temperaturę wyświetlaną na wyświetlaczu urządzenia
- Zmierz temperaturę w miejscu, gdzie temperatura jest wystarczająco „wygodna” dla Ciebie (zazwyczaj na wysokości około 60 cm od podłogi, w pozycji siedzącej). W razie ustalenia faktu różnicy w zakresie $\pm 4^{\circ}\text{C}$ można wnieść potrzebne korekty w menu konwektora (ważny warunek - funkcja może być ustawiana tylko po odpuszczeniu ogrzewanego pomieszczenia - w zależności od typu lokalu wymagany minimalny czas stanowi 7 godzin) o wynikającą z różnicy pomiędzy odczytem konwektora i mierzoną temperaturą wartość.


 **Uwaga:** Ta funkcja służy do osiągnięcia wyższego stopnia komfortu temperaturowego i oszczędności energii na korzyść użytkownika ogrzewacza elektrycznego w pomieszczeniu, w którym ogrzewacz się znajduje. Różnica większą niż $\pm 4^{\circ}\text{C}$ zmierzonej temperatury w wybranym punkcie w pomieszczeniu znaczy, że pomieszczenie nie jest odpowiednio izolowane cieplnie albo nie jest dobrze temperowane.

Przykład: konwektor umieszczony w pomieszczeniu powyżej posadki kamiennej - wskazania konwektora 18°C (po ustawieniu 22°C) - zmierzona rzeczywista temperatura (uczucie osiągniętej komfortowej temperatury) 22°C na wysokości od podłogi 60 cm - > w tym przypadku konwektor nadal ogrzewa pomieszczenie (jest to bezpośrednia strata energii, ale konwektor nie może osiągnąć ustawionej temperatury z powodu tego, że pomiar temperatury odbywa się nisko, u podłogi) i urządzenie nigdy się nie wyłączy. Niezbędne jest, aby ustawić korektę temperatury $+ 4^{\circ}\text{C}$ dla czujnika - w tym przypadku konwektor będzie pokazywał 22°C i będzie się już wyłączał utrzymując zadaną temperaturę w 22°C .

Normalny stan funkcji domyślnie wynosi 0°C (ustawienie fabryczne)

- jeśli chcesz zmienić tę wartość, konwektor ma być w pozycji „Wyłączono”. Naciśnij przycisk \blacktriangledown i przycisk „On/Off” na trzy sekundy. Na wyświetlaczu zacznie mrugać „ 0°C ”. Możesz nacisnąć przycisk \blacktriangledown lub przycisk \blacktriangle aby osiągnąć zakres od „ -4°C ” do „ 4°C ”, poczekaj trzy sekundy i funkcja automatycznie się zmieni na nową wartość.
- Kiedy chcesz sprawdzić ustawioną korektę, konwektor ma być w pozycji „Wyłączono”. Naciśnij przycisk \blacktriangledown i przycisk „On/Off” na trzy sekundy. Na

wyświetlaczu zacznie mrugać wartość ustawionej temperatury. Możesz nacisnąć przycisk \blacktriangledown lub przycisk \blacktriangle , aby zadać nową wartość w zakresie od -4°C do 4°C .

 **Uwaga:** Po zresetowaniu do fabrycznych ustawień temperatury należy ponownie zadać wartość korekty temperatury (domyślna wartość wynosi 0°C).


Adaptacyjny start

- Adaptacyjna kontrola startu oznacza funkcję, która przewiduje i inicjuje optymalne uruchamianie ogrzewania początkowego do osiągnięcia zadanej temperatury o żądanej porze.
- funkcja jest domyślnie włączona.
- jeśli chcesz zmienić tę wartość, konwektor ma być w pozycji „Wyłączono”. Naciśnij przycisk „ \blacktriangle ” i przycisk „Timer” na trzy sekundy. Na wyświetlaczu zacznie mrugać „ 0°C ”. Możesz nacisnąć przycisk „ \blacktriangledown ” aby osiągnąć znaczenie „AOFF”, poczekaj trzy sekundy i funkcja automatycznie się zmieni na nową wartość.
- 3a Jeśli chcesz zmienić tę wartość, konwektor ma być w pozycji „Wyłączono”. Naciśnij przycisk \blacktriangle i przycisk „Timer” na trzy sekundy. Na wyświetlaczu zacznie mrugać „ 0°C ”. Możesz nacisnąć przycisk \blacktriangledown aby osiągnąć znaczenie „AOFF”, poczekaj trzy sekundy i funkcja automatycznie się zmieni na nową wartość.


Ta funkcja dostosowana jest do Twoich potrzeb. Urządzenie pracuje wg ustawionej temperatury komfortu 17 godzin, aż osiągnie stabilny stan - taka temperatura jest temperaturą referencyjną komfortu. Musi być ustawiony też okres pracy w temperaturze niższej od ustawionej dla komfortu, z różnicą temperatury o $4^{\circ}\text{C} \pm 1^{\circ}\text{C}$, na okres co najmniej 7 godzin. Po aktywacji sterowania adaptacyjnego zestaw elektroniczny termostat urządzenia działa przez 4 cykle (4 x 24 godzin) - tzw. cykli komfortu (17 godzin) i obniżonej temperatury (7 godzin). Po zakończeniu ostatniego okresu obniżenia temperatury temperatura komfortu musi być osiągana w okresie ± 30 minut uchylenia od zadanego czasu - przy różnicy nie więcej niż $\pm 1^{\circ}\text{C}$ z temperaturą komfortu.

“Zabezpieczenie przed dziećmi”

W celu zapobiegania zmiany ustawień możesz zablokować przyciski naciskając długo przyciski ze strzałkami \blacktriangledown i „Timer” razem. Powtórz to samo, aby odblokować przyciski.

 **Uwaga:** Gdy klawiatura jest zablokowana, przy naciśnięciu dowolnego przycisku na wyświetlaczu będzie się wyświetlał naois „LOC_”.

Ustawienia w trybie „Programator tygodniowy 24/7”

 Aktywowanie trybu ustawienia „Programator tygodniowy” jest możliwe jedynie jeśli urządzenie ma już ustawioną godzinę i dzień tygodnia.

Wejście oraz wyjście z trybu ustawień odbywa się poprzez długie naciśnięcie przycisku „Timer”.

Regulowane są trzy parametry - dzień tygodnia, godzina i zadana temperatura. Przełączanie pomiędzy tymi trzema parametrami wykonuje się krótkim naciśnięciem przycisku „Timer” w następującej sekwencji: dzień, godzina, temperatura. Zapamiętywanie ustawień odbywa się poprzez krótkie naciśnięcie przycisku „Timer” po ustawieniu ostatniego parametru, a mianowicie temperatury.

Zmiana wartości każdego parametru odbywa się za pomocą przycisków ▲ i ▼.

Warunki zapamiętywania ustawień

- Po zakończeniu zapamiętywania każdego punktu więcej nie można zmienić do wyjścia z bieżącego punktu ustawień.
- Podczas zapamiętywania pierwszego punktu odniesienia danego dnia w bieżących ustawieniach wszystkie punkty dzienne na ten dzień zostają uprzednio skasowane.
- Zapamiętywanie kolejnych punktów na dany dzień możliwe jest tylko w godzinach do końca tego dnia po ostatnim zarejestrowanym punkcie.
- W przypadku zapamiętywania w okresie ostatniej godziny dnia - 23.5 h, nie można już wykonywać więcej zapisów na ten sam dzień w bieżących ustawieniach i na wyświetlaczu pojawi się napis FULL razem z numerem dnia.
- Jeśli w bieżących ustawieniach na dany dzień nie wprowadzono żadnych nowych zapisów, w pamięci urządzenia pozostają już wprowadzone ustawienia.

Celem ustawienia parametrów jest nagranie trzech parametrów do tak zwanych znaczników referencyjnych (SET POINTS), a ustawiona do każdego takiego punktu temperatura odniesienia podtrzymuje się do następnego punktu.

Przykład: Jeśli na dany dzień na godzinę 7:00 dokonano ustawienie temperatury 22°C i Ty chcesz, żeby ona pozostała bez zmian aż do godziny 19. (po tej godzinie zaplanowana została temperatura 23°C), nie trzeba zapisywać ustawienia na każdą godzinę aż do 19-iej, ale wystarczy tylko wgrać temperaturę 22°C na 7. godzinę i temperaturę 23°C na 19. godzinę. Domyślnie w tym okresie (godzina 7.-19.) temperatura będzie wynosiła 22°C

Mechanizm zapamiętywania każdego punktu przedstawia się następująco:

Po wejściu w menu ustawień na wyświetlaczu mrugającym znaczkiem wyświetla się „Day1”, co oznacza, że jest to ustawiony parametr (w tym przypadku to dzień tygodnia).

- Za pomocą przycisków ▲ i ▼ wybierz żądany dzień
- Naciśnięciem przycisku „Timer” na krótko przechodzi się do ustawienia godziny
- Za pomocą przycisków ▲ i ▼ wybierz żądany czas (krokami w 0,5 g.) do punktu.
- Naciśnięciem przycisku „Timer” na krótko przechodzi się do ustawienia temperatury.
- Za pomocą przycisków ▲ i ▼ wybierz żądaną temperaturę. Możliwe temperatury wynoszą od 10 do 30°C i stan wyłączzonego urządzenia OFF.
- Po krótkim naciśnięciu przycisku „Timer” dany punkt zapisuje się do pamięci urządzenia i przechodzi się do następnego punktu (na wyświetlaczu pojawi się napis „DAYX”) i przechodzi się do parametrów następnego punktu.
- W przypadku zapamiętywania w okresie ostatniej godziny dnia - 23.5 h, nie można już wykonywać więcej zapisów na ten sam dzień w bieżących ustawieniach i na wyświetlaczu pojawi się napis FULL razem z numerem dnia..



UWAGA: Punkty na dany dzień mogą być zapamiętywane tylko w kolejności rosnącej.



Informacja: Przed wykonaniem paragrafu f) operator może powrócić do paragrafu a) w celu dokonania korekty trzech parametrów tego punktu poprzez krótkie naciśnięcie przycisku ON/OFF, bez dokonania zapisu w pamięci.

Dopasowywanie punktów na dany dzień może odbywać się w dowolnej kolejności, po zapisaniu punktów na inne dni, ale tylko pod warunkiem zachowania kolejności rosnącej co do godzin w ciągu dnia.

Wyjście z menu ustawień odbywa się poprzez dłuższe naciśnięcie przycisku „Timer” lub po 30 sekundach bez podania żadnych danych.

Po wyjściu z trybu ustawień można wyświetlić nagrane punkty za pomocą przycisków ▲ i ▼ tylko jeśli urządzenie znajduje się w trybie zaprogramowania.



Uwaga: Po włączeniu urządzenie przełącza się do trybu (ogrzewanie lub programowanie), w którym ostatnio działało.



Uwaga: Przejście do innego trybu pracy (ogrzewanie lub programowanie) wykonuje się poprzez krótkie naciśnięcie przycisku **Timer** po włączeniu zasilania urządzenia.

Zresetowanie do ustawień fabrycznych

Gdy konwektor jest w trybie „Wyłączono”, naciśnij razem przyciski ▲ i ▼ przez sześć sekund – na wyświetlaczu zacznie mrugać wskaźnik „_ _ _ _” i symboli będą się wyświetlać po kolei. Po dokonaniu „Zresetowania” na wyświetlaczu pojawi się zmierzona wartość temperatury otoczenia.

Po użyciu funkcji zresetowania należy znowu zadać poniższe funkcje:

- ustawienie zegara,
- ustawienie wartości korekcji temperatury (w przypadku, jeśli jeśli jest to potrzebne),
- dezaktywacja funkcji Zapobiegania zamarzaniu (w przypadku, jeśli jeśli jest to potrzebne),
- Wyłączenie adaptacyjnego startu (w przypadku, jeśli jeśli jest to potrzebne),
- program tygodniowy - 24/7

Odłączenie konwektora elektrycznego od sieci zasilania nie powoduje zmienienia zadanej temperatury ani trybu jego działania zaprogramowanego przed odłączeniem urządzenia od sieci. Na przykład, jeśli konwektor działał w trybie „Ogrzewania”, przy wyłączeniu urządzenia oraz po włączeniu go ponownie sprzęt będzie działał w tym samym trybie na podstawie tej samej zadanej roboczej temperatury.



Zasada konstrukcji konwektora elektrycznego z niezależną od zasilania pamięcią zapewni przechowywanie ustawień gwarantowanie do 90 minut i maksymalnie do 150 minut.

W przypadku, gdy temperatura w pomieszczeniu jest niższa od tej, co ustawiono za pomocą termostatu elektronicznego, konwektor rozpocznie ogrzewanie i będzie ogrzewał do chwili osiągnięcia w pomieszczeniu uprzednio zadanej temperatury. Gdy temperatura w pomieszczeniu jest wyższa od wartości ustawionej za pomocą regulatora, konwektor automatycznie przełączy się do trybu „Gotowość do włączenia”.

Wyświetlane na pulpicie dane

Wskazania wskaźnika podczas gdy urządzenie nie znajduje się w trybie ustawiania:

- a. *W trybie „wyłączono” wyświetla się po kolei:*
 - zegar (godzina i minuty),
 - temperatura w pomieszczeniu
- b. *W trybie ogrzewania wyświetla się temperatura w pomieszczeniu,*

- c. *W trybie programowania wyświetla się po kolei:*
 - dzień tygodnia podkreślnik i temperatura w pomieszczeniu, 6_22
 - dzień tygodnia podkreślnik i mrugająca wartość zadanej temperatury (w odniesieniu do aktualnej chwili), który może być też symbolem OFF (wyłączono). 6_23
- d. *Przy włączeniu zasilania konwektora na wyświetlaczu wywodzą się następujące dane:*
 - kreski „----” oznaczają, że na moment odłączenia zasilania konwektor był w trybie „wyłączono”.
 - kreski „----”, które po 2 sekundach zamieniają się na wskazanie aktualnej temperatury oznaczają, że na moment odłączenia zasilania konwektor był w trybie „włączono”.
- e. *Dwie cyfry (01÷96) wyświetlane razem z mruganiem żółtej diody świetlnej wskazujące w godzinach czas pozostały do opóźnionego startu, co w takim połączeniu oznacza, że na moment odłączenia zasilania konwektor był w trybie opóźnionego startu.*
- f. *Aby zaoszczędzić jeszcze więcej energii, termostat elektroniczny zmniejsza jasność światła wszystkich wskaźników. Przy naciśnięciu dowolnego przycisku jasność wzrasta na 8 sekund, a następnie ponownie się zmniejsza.*
- g. *Ekspozycja znaczeń „t0” albo „t1” na wyświetlaczu oznacza, że system wewnętrznej diagnostyki wykrył problem z czujnikami temperatury. „t0” oznacza przerwany przewód czujnika, „t1” oznacza krótkie zwarcie czujnika. W tym przypadku konwektor elektryczny wyłącza się automatycznie, ponowne włączenie go będzie możliwe dopiero po usunięciu usterki. Defekt musi zostać usunięty przez wykwalifikowanego specjalistę.*
- h. *Przy włączeniu zasilania zamiast oznaczenia temperatury lub czasu w ciągu 2 sekund na wyświetlaczu pojawią się kreski „----”.*
- i. *Kiedy na cyfrowym wyświetlaczu wyświetlają się dane o temperaturze, to wyświetla się napis „LED temperatury”. Kiedy wyświetlają się dane o czasie pozostającym do uruchomienia opóźnionego startu, wyświetla się napis „LED czasu”*

ZABEZPIECZENIE

- Urządzenie jest wyposażone w termostat bezpieczeństwa, który automatycznie wyłącza grzejnik w przypadku wzrostu temperatury konwektora powyżej dopuszczalnych wartości / tak zwane przegrzanie urządzenia/.
- Termostat bezpieczeństwa automatycznie przywraca działanie konwektora tylko wtedy, gdy temperatura urządzenia spadnie poniżej dopuszczalnych stopni.

CZYSZCZENIE

- Pamiętaj, aby najpierw wyłączyć urządzenie poprzez przełącznik i za tym wyjąć wtyczkę z gniazdka. Przed rozpoczęciem czyszczenia konwektora należy zostawić go ostudzić się, odłączony sprzęt od sieci.
- Konwektor można czyścić z tyłu przy minimalnym wysiłku – po prostu naciśnij uchwyty ukształtowane w formie litery „P” /rys. 2/ na tyłu urządzenia. W ten sposób można zwolnić je i oczyścić tylną część konwektora.
- Obudowę należy czyścić wilgotną szmatką, odkurzaczem lub szczotką.
- Nie wolno zanurzać urządzenia w wodzie - zagrożenie życia: porażenie prądem!
- Nigdy nie używaj benzyny, rozpuszczalników ani żrących ściernych środków czyszczących, które mogą uszkodzić powłokę sprzętu.

MAGAZYNOWANIE

- Przed tym jak schować konwektor, należy, odłączony sprzęt od sieci, zostawić go się ostudzić.
- Jeśli konwektor nie będzie używany przez pewien czas, do przechowywania go używaj oryginalnego opakowania. Produkt należy chronić przed nadmiernym zakurzeniem i zbrudnieniem przechowując go w oryginalnym opakowaniu.
- Nigdy nie przechowuj do opakowania gorącego urządzenia!
- Produkt powinien być przechowywany w suchym miejscu i chroniony przed bezpośrednim działaniem promieni słonecznych.
- Wyraźnie zakazuje przechowywania go w miejscach wilgotnych lub mokrych.

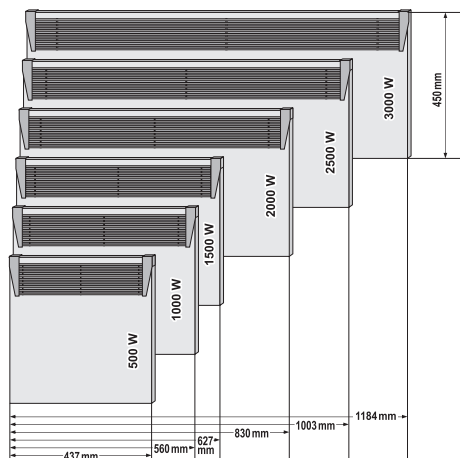
OBSŁUGA TECHNICZNA URZĄDZENIA

- W przypadku awarii urządzenia, należy skontaktować się z najbliższym autoryzowanym zakładem serwisowym. • /ukazane są w gwarancji produktu/.
- **Ważne:** W przypadku roszczenia i / lub naruszenia Twoich praw konsumenta, skontaktuj się z dostawcą tego urządzenia na ukazanych adresach lub za pośrednictwem strony internetowej firmy: www.tesy.com

WYMIARY URZĄDZENIA, OBJĘTOŚĆ I POWIERZCHNIA OGRZEWANA W POMIESZCZENIU

Model	Objętość ogrzewana	Powierzchnia ogrzewana
CN 03 050 EIS W - 500W	10* - 15 m ³	4* - 6 m ²
CN 03 100 EIS W - 1000W	20* - 30 m ³	8* - 12 m ²
CN 03 150 EIS W - 1500W	30* - 45 m ³	12* - 18 m ²
CN 03 200 EIS W - 2000W	40* - 60 m ³	16* - 24 m ²
CN 03 250 EIS W - 2500W	50* - 70 m ³	20* - 28 m ²
CN 03 300 EIS W - 3000W	60* - 80 m ³	24* - 32 m ²

* Minimalna gwarantowana ogrzewana objętość (obszar) do ogrzewania z użyciem przeciętnego współczynnika przewodzenia ciepła $\lambda = 0,5 \text{ W / (m}^2\text{K)}$ dla ogrzewanego pomieszczenia. Wyższe wartości dla ogrzewanej objętości (obszaru) uzyskuje się przy przeciętnej wartości $\lambda = 0,35 \text{ W / (m}^2\text{K)}$. Standardowa wysokość pomieszczeń wynosi 2,5 metrów.



UWAGA: Aby uniknąć przegrzania, nie nakrywaj urządzenia!



Wtyczne dotyczące ochrony środowiska

Stare urządzenia elektryczne zawierają cenne materiały, a zatem nie należy wyrzucać je razem z odpadami z gospodarstwa domowego! Prosimy Państwa, aby pomóc własnym aktywnym wkładem, byśmy zachowali zasoby naturalne i ochronili środowisko. Urządzenia te należy przekazać do punktu zbiórki w celu poddania recyklingowi (gdy takie istnieją).

TABELA 2 WYMOGI W ZAKRESIE INFORMACJI DOTYCZĄCE ELEKTRYCZNYCH MIEJSCOWYCH OGRZEWACZY POMIESZCZEŃ
Identyfikator(-y) modelu: 1.CN03 050 EIS W; 2.CN03 100 EIS W; 3.CN03 150 EIS W; 4.CN03 200 EIS W; 5.CN03 250 EIS W; 6.CN03 300 EIS W 230V~ 50Hz

Parametr	Oznaczenie	Wartość 1	Wartość 2	Wartość 3	Wartość 4	Wartość 5	Wartość 6	Jednostka	Parametr	Jednostka
Moc cieplna									Sposób doprowadzania ciepła wyłącznie w przypadku elektrycznych akumulacyjnych miejscowych ogrzewaczy pomieszczeń (należy wybrać jedną opcję)	
Minimalna moc cieplna (orientacyjna)	P_{nom}	0.50	1.00	1.50	2.00	2.50	3.00	kW	ręczny regulator doprowadzania ciepła z wbudowanym termostatem	[nie]
Minimum heat output (indicative)	P_{min}	0.00	0.00	0.00	0.00	0.00	0.00	kW	ręczny regulator doprowadzania ciepła z pomiarem temperatury w pomieszczeniu lub na zewnątrz	[nie]
Maksymalna stała moc cieplna	$P_{max,C}$	0.50	1.00	1.50	2.00	2.50	3.00	kW	elektroniczny regulator doprowadzania ciepła z pomiarem temperatury w pomieszczeniu lub na zewnątrz	[nie]
Zużycie energii elektrycznej na potrzeby własne									moc cieplna regulowana wentylatorem	[nie]
Przy nominalnej mocy cieplnej	$e_{l,max}$	0.43	0.93	1.44	1.91	2.45	2.91	kW	Rodzaj mocy cieplnej/regulacja temperatury w pomieszczeniu (należy wybrać jedną opcję)	-
Przy minimalnej mocy cieplnej	$e_{l,min}$	0.00	0.00	0.00	0.00	0.00	0.00	kW	jednosto pniowa moc cieplna bez regulacji temperatury w pomieszczeniu	[nie]
W trybie czuwania	$e_{l,SB}$				0.00033			kW	co najmniej dwa ręczne stopnie bez regulacji temperatury w pomieszczeniu	[nie]
									mechaniczna regulacja temperatury w pomieszczeniu za pomocą termostatu	[nie]
									elektroniczna regulacja temperatury w pomieszczeniu	[nie]
									elektroniczna regulacja temperatury w pomieszczeniu ze sterownikiem dobowym	[nie]
									elektroniczna regulacja temperatury w pomieszczeniu ze sterownikiem tygodniowym	[tak]
									Inne opcje regulacji (można wybrać kilka)	[nie]
									regulacja temperatury w pomieszczeniu z wykrywaniem obecności	[nie]
									regulacja temperatury w pomieszczeniu z wykrywaniem otwartego okna	[nie]
									z regulacją na odległość	[nie]
									z adaptacyjną regulacją startu	[tak]
									z ograniczeniem czasu pracy	[nie]
									z czujnikiem ciepła promieniowania	[nie]

TESY Ltd
48 Madara Blvd,
Shumen, 9700,
Bulgaria



Přečtěte si následující návod před tím, než začnete používat výrobek a uchovejte jej pro budoucí použití. Při změně vlastníka návod k použití předejte spolu s výrobkem.

Děkujeme Vám, že jste si vybrali konvektor CN03. Tento výrobek Vám nabídne vytápění v zimních měsících, podle Vašich požadavků na zajištění komfortní teploty ve vytápěné místnosti. Při správném používání a údržbě, tak jak jsou popsány v tomto návodu, Vám tento výrobek poskytne mnoho let užitečné služby.

DŮLEŽITÁ OCHRANNÁ OPATŘENÍ A BEZPEČNOSTNÍ POKYNY:



Děti mladší 3 let musí dodržovat odstup od topidla, jestliže nejsou pod neustálým dohledem.

Děti ve věku od 3 do 8 let mohou používat pouze tlačítko zap./vyp. zařízení a to, pokud je zařízení již instalováno a připraveno k normálnímu používání a děti jsou pod dohledem a byly poučeny o jeho bezpečném používání a chápou, že jeho používání by mohlo být nebezpečné.

Děti ve věku od 3 do 8 let by neměly výrobek zapínat od el. sítě, provádět jeho nastavení, čistit jej nebo provádět uživatelskou údržbu.

Toto zařízení může být používáno dětmi ve věku vyšším než 8 let a osobami s omezenými fyzickými, smyslovými nebo rozumovými schopnostmi, nebo osobami s nedostatečnými zkušenostmi a znalostmi, jestliže jsou pod dohledem nebo byly poučeny o bezpečném používání zařízení a chápou rizika jeho používání. Děti si nesmí se zařízením hrát. Čištění a uživatelská údržba nesmí být prováděna dětmi bez dohledu.



Některé části tohoto zařízení se mohou používáním zahřát na vysokou teplotu a způsobit popáleniny. Na místech, kde jsou děti a zranitelné osoby je potřeba dbát zvláštní pozornosti.

- Než výrobek zapnete – ověřte si zda napětí uvedené na výrobním štítku odpovídá napětí dodávanému do Vaší domácnosti.
- Tento výrobek může být používán pouze k účelu, ke kterému byl vyroben, tzn. k vytápění obytných místností. Výrobek není určen ke komerčnímu využití. Jakýkoliv jiný způsob využití je považován za nesprávný a tím také nebezpečný. Výrobce nenes zodpovědnost za škody způsobené nesprávným a nevhodným použitím. Nedodržení bezpečnostních pokynů je důvodem k neuznání záruky výrobku!
- Neopouštějte domácnost, dokud je zařízení zapnuté: ujistěte se, že přepínač je v pozici „vypnuto“ (týká se konvektorů s mechanickým ovládním).
- Udržujte minimální odstupy mezi hořlavými předměty jako jsou nábytek, polštáře, ložní prádlo, papír, oblečení, záclony atd. a konvektorem, nejméně 100 cm.
- Nepoužívejte zařízení v místech, kde se používají nebo skladují hořlaviny (např.: v blízkosti hořlavých plynů nebo aerosolů) – vystavujete se vážnému nebezpečí výbuchu nebo požáru!
- Nevkládejte a nedopustte náhodné proniknutí cizích těles do ventilačních otvorů výrobku (ať už pro příchozí nebo odchozí vzduch), protože by došlo ke zkratu, požáru nebo poškození konvektoru.
- Výrobek není vhodný pro chov zvířat a je určen pouze k použití v domácnosti!
- Nezakrývejte ochrannou mřížku, neblokujte příchozí nebo odchozí vzdušný proud umístěním zařízení proti jakémukoliv povrchu. Všechny předměty musí být ve vzdálenosti nejméně 1m od zařízení a to jak zepředu, tak po stranách.
- Nejčastější příčina přehřívání jsou nánosy nečistot a prachu v zařízení. Pravidelně čistěte vysavačem ventilační otvory, přičemž vždy nejprve odpojte zařízení z elektrické sítě.
- Nikdy se zařízení nedotýkejte mokřýma nebo vlhkýma rukama – vystavujete se ohrožení života!
- Elektrická zásuvka musí být vždy dostupná, tak aby

mohla být zástrčka v případě potřeby vytažena co nejdříve! Nikdy netahejte napájecí kabel nebo samotný elektrospotřebič při odpojování z elektrické sítě.

- **POZOR!** Výchozí vzduch se v pracovním režimu zahřívá na více než 100°C)
- Jestliže je napájecí kabel vašeho zařízení poškozen, přerušte jeho používání a kontaktujte vašeho dodavatele/prodejce pro více informací.
- Jestliže se rozhodnete více nepoužívat výrobek tohoto typu, doporučujeme Vám výrobek znehodnotit tím, že odříznete jeho napájecí kabel – nejdříve však odpojte zařízení z elektrické sítě. Doporučujeme také odstranit veškerá rizika plynoucí z vyřazeného výrobku, obzvláště pro děti, které by si mohly s vyřazeným zařízením hrát.
- Výrobek nesmí být umístěn bezprostředně pod elektrickou zásuvkou!
- Pozor: Nepoužívejte zařízení s programátorem, počítadlem nebo jiným přístrojem, který jej automaticky zapíná, protože v případě, že je zařízení pokryto nebo nesprávně umístěno, existuje nebezpečí požáru.
- Umístíte napájecí kabel tak, aby nepřekážel pohybu osob a nebylo na něj šlapáno! Používejte pouze schválené prodlužovací kabely, vhodné pro toto zařízení, tzn. takové, které jsou označeny značkou shody!
- Nikdy výrobek nepřemísťujte tažením za napájecí kabel. Napájecí kabel nepoužívejte pro přenášení předmětů!
- Napájecí kabel nepřelamujte a netahejte jej přez ostré hrany a nepokládejte jej na horký povrch nebo otevřený oheň!

OBAL

- Po rozbalení výrobku, zkontrolujte zda při přepravě nedošlo k jeho poškození a zda je výrobek kompletní! V případě poškození nebo neúplné dodávky se spojte s Vaším autorizovaným prodejcem!
- Nevyhazujte originální balení! Mohli byste jej využít pro uskladnění a přepravu výrobku a vyhnout se tak poškození výrobku při přepravě!
- Obalový materiál musí být vyhozen na místě k tomu určeném! Děti musí být pod dohledem, aby si nehrály s polyetylenovými obaly!

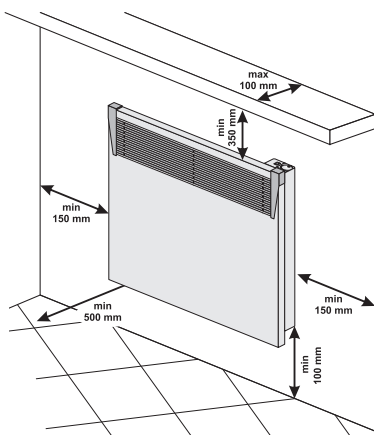
NÁVOD K MONTÁŽI

- Tento konvektor je projektován k využití v uzavřených místnostech a nástěnné montáži.

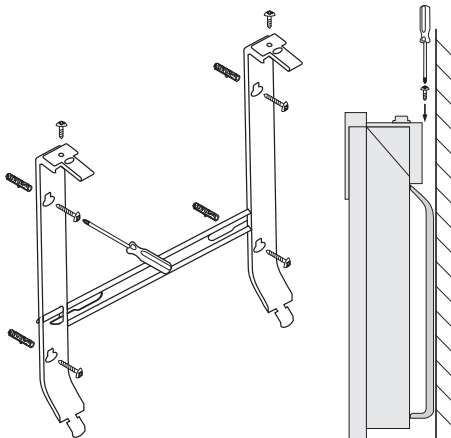
Důležité: U místností s objemem nad 45 m³ se doporučuje použití 2 a více konvektorů.

- Neumísťujte konvektor pod elektrickou zásuvku nebo elektrický rozvod.

- Nemontujte/nepoužívejte konvektor
 1. na místě, kde je průvan, aby nedocházelo k ovlivňování kontrolního nastavení
 2. bezprostředně pod elektrickou zásuvku;
 3. v prostoru 1 (volume 1) koupelen;
 4. v prostoru 2 (volume 2), jestliže ovládací panel je dosažitelný osobou, která je ve sprše nebo ve vaně;
- Pro montáž na stěnu je třeba použít pouze úchytů dodaných v balení s konvektorem. Při montáži konvektoru je třeba dodržet minimální odstupy do všech stran



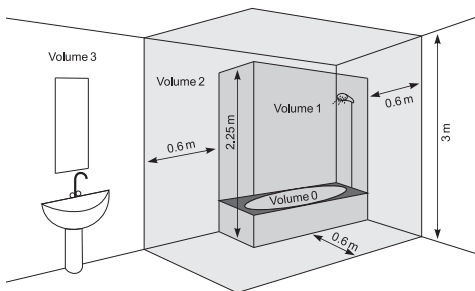
- Nejdříve odstraňte nástěnné úchyty ze zadní strany korpusu výrobku. Odšroubujte oba šrouby umístěné v horní části obou vertikálních závěsných konzolí nástěnných úchytů. Poté vytáhněte horní část závěsné konzole a to tak, že silně stisknete obě horní části zastrčené do zadní strany korpusu výrobku.



- Posuňte úchyt směrem dolů, tak abyste jej oddělili od zadní strany korpusu.
- Připevněte úchyt pevně na stěnu. Použijte čtyři předvrtaných otvorů pro šrouby.
- Nadzvedněte konvektor téměř do vertikální polohy a vsuňte obě spodní vystrčené části úchytů do obou spodních průřezů na zadním panelu konvektoru. Poté nadzvedněte konvektor a vsuňte obě horní vystrčené části úchytů do obou horních průřezů na zadním panelu konvektoru. Na závěr opět našroubujte a přitáhněte oba šrouby, tak abyste konvektor pevně připevnili ke stěně.

MONTÁŽ V KOUPELNĚ

- Konvektor musí být instalován v souladu s běžnou obchodní praxí a v souladu se zákonodárstvím dané země (direktivy o Elektrických instalacích nízkého napětí EU: Zařízení jednoúčelová a ve zvláštních objektech – Prostory s vanou nebo sprchou HD60364-7-701(IEC 60364-7-701:2006)).



- Jestliže má být tento konvektor používán v koupelně nebo jiné podobné místnosti, musí být dodržena následující podmínka při montáži: Konvektor má krytí IP24 (ochrana před stříkající vodou). Z tohoto důvodu musí být instalován v prostoru 2 (volume2) (viz schéma níže), aby se předešlo tomu, že ovládací panel (přepínač a termoregulátor) konvektoru by mohl být dosažitelný osobou, která je ve sprše nebo ve vaně. Minimální odstup zařízení od zdroje vody musí být nejméně 1m a zařízení musí být instalováno na stěně! Jestliže máte pochybnosti ohledně instalace tohoto konvektoru v koupelně, my Vám doporučujeme, abyste se konzultovali s profesionálním elektrotechnikem.

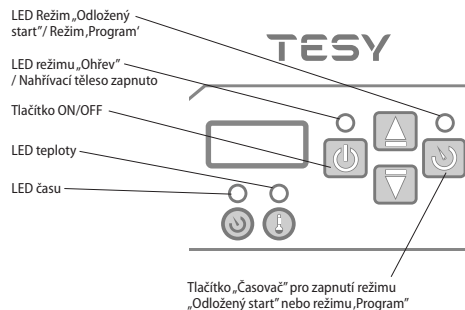
Poznámka: jestliže nemohou být splněny výše uvedené podmínky, doporučujeme provést montáž v prostoru 3 (VOLUME 3).

- Ve vlhkých místnostech (koupelny a kuchyně) musí být zdroj napájení instalován ve výšce min. 25cm od podlahy.
- Instalace musí být vybavena automatickou pojistkou, u které musí být ve vypnutém stavu odstup mezi kontakty nejméně 3mm.

NÁVOD K POUŽITÍ

ELEKTRONICKÉ OVLÁDÁNÍ

Pracovní režim



Zapněte konvektor, zmáčknete Přepínač do polohy "1" (Zapnuto) .

Nastavení času

Nastavení času je možné pouze v režimu vypnuto – nastavuje se momentální den týdne, hodina a minuty. Přístup do nastavení času se provádí současným déle trvajícím zmáčknutím tlačítek „ON/OFF“ a „Timer“. Údaj, který je nastavován bliká na displeji. Výběr údaje k nastavení se provádí pomocí krátkého zmáčknutí tlačítka „Timer“. Opuštění nastavení se provádí pomocí třetího krátkého zmáčknutí tlačítka „Timer“ (po nastavení minut).

Nastavení začíná dnem týdne od 1 do 7 v závislosti na tom, který den v pořadí v týdnu je a nastavuje se danou číslicí. Hodiny a minuty se zobrazují současně na displeji, přičemž bliká pouze nastavovaný údaj. Změna hodnoty údaje se provádí tlačítky ▲ a ▼.

Jestliže 10 sek není zmáčknuo tlačítko, je nastavení opuštěno.

Zapnutí režimu „Ohřev“

Když je panelový konvektor vypnutý, na číselném displeji se zobrazuje pokojová teplota a svítí pouze „LED Teploty“. Po jednorázovém zmáčknutí tlačítka „On/Off“ se přechází do režimu „Ohřev“. Tehdy se zapne červená dioda vyznačující tento režim. Na dobu cca 2 sekund se na číselném displeji objeví nastavená teplota a po tuto dobu „LED teploty“ nesvítí. Jestliže je pokojová teplota nižší než nastavená, automaticky se zapne nahřívací těleso.

Když je zapnuto nahřívací těleso, světelná dioda svítí stále!

Zadávání teploty

Zmáčknutím některého z tlačítek ▲ nebo ▼ se přechází do režimu „Změna zadané teploty“. Displej začíná blikat a objeví se na něm, do této chvíle zadaná teplota. Dalším zmáčknutím tlačítek se mění zadání teploty požadovaným směrem. Jestliže do 5 sek. není

zmáčknuto další tlačítko, nové zadání je uloženo a přístroj automaticky přejde do režimu „Ohřev“. Jestliže je některé z tlačítek ▲ nebo ▼ přidrženo déle než 0.7 sek., začne se hodnota zadané teploty automaticky zvyšovat nebo snižovat rychlostí 4 jednotky za sekundu. Rozmezí pro nastavení zadané teploty je od 10 do 30 stupňů.


„Odložený start“ zapnutí panelového konvektoru.

Když je konvektor v režimu „Vypnuto“, zmáčknutím tlačítka „Časovač“ se umožní zadávání času, po jehož uplynutí přístroj automaticky přejde do režimu „Ohřev“. Tento režim je vyznačen blikajícím žlutou světelnou diodou a zhaslou červenou světelnou diodou. Na číselném displeji se budou střídát hodnoty okolní teploty, když svítí „LED teploty“ a zbývajícím čas v hodinách do zapnutí „Ohřevu“, když svítí „LED času“. Bezprostředně po zapnutí tohoto režimu se rozsvítí žlutá dioda, a displej začíná blikat, a objevuje se na něm zadávaný čas v hodinách, do zapnutí konvektoru. Nejprve se objeví čas 12 hodin a pomocí tlačítek ▲ nebo ▼ se mění čas požadovaným směrem. Jestliže je některé z tlačítek ▲ nebo ▼ přidrženo déle než 0.7 sek., hodnota času se začíná automaticky zvyšovat nebo snižovat rychlostí 4 jednotky za sekundu. Jestliže do 5 sek. není zmáčknuto další tlačítko, nebo není zmáčknuto tlačítko „Časovač“, regulátor přechází do výkonu režimu „Odložený start“. Jestliže je zadán čas 00, režim není vykonáván. Jestliže je již vykonáván režim „Odložený start“ a opět je zmáčknuto tlačítko „Časovač“, může být upraven zbývajícím čas dvěma možnými směry. Po nastavení času se přechází do režimu „Odložený start“, přičemž na displeji se kromě teploty odpočítávají také zbývajících hodiny do přechodu k „Ohřevu“. Tento režim může být opuštěn zmáčknutím tlačítka „On/Off“. V takovém případě se přejde k režimu „Ohřev“. „Odložený start“ může být nastaven v rozmezí od 01 do 96 hodin.

Vypnutí režimu „Ohřev“

Režim „Ohřev“ můžete opustit zmáčknutím tlačítka „On/Off“. Tehdy se nahřívací těleso vypne, jestliže bylo předtím zapnuto a zhasne červená světelná dioda. Na displeji se stále zobrazuje pokojová teplota.

Funkce „Protí zamrznutí“

Jestliže teplota v místnosti klesne pod 5 stupňů a konvektor je zapnutý (nesvítí červená světelná dioda, ale Mechanické tlačítko je přepnuto do polohy „I“ (Zapnuto) ) , nahřívací těleso se automaticky zapne za účelem ochrany před zamrznutím.



Zadávaní teplotní korekce teplotního čidla neplatí pro tuto funkci.

Aktivace a deaktivace funkce:

- funkce je zapnuta v továrním nastavení
- jestliže si přejete funkci vypnout – konvektor je v režimu „Vypnuto“, zmáčknutím tlačítka ▲ a tlačítka „On/Off“ po dobu tří sekund – začne na displeji blikat „ON“, zmáčknutím tlačítka ▼, dosáhnete pozice „OFF“, vyčkáte 3 sekundy a funkce automaticky přejde do režimu „OFF“.
- jestliže si přejete funkci opět zapnout – konvektor je v režimu „Vypnuto“, zmáčknutím tlačítka ▲ a tlačítka „On/Off“ po dobu tří sekund – začne na displeji blikat „OFF“, zmáčknutím tlačítka ▼, dosáhnete pozice „ON“, vyčkáte 3 sekundy a funkce automaticky přejde do režimu „ON“.

Funkce teplotní korekce čidla

Z důvodu specifiky teplotního profilu v různých místnostech se může objevit rozdíl v údajích zobrazovaných teplot na displeji a reálné naměřené teploty při různých umístěních ohřívacího přístroje v místnosti.

- Podívejte se na teplotu, která se zobrazuje na displeji přístroje
- Změřte teplotu na místě, kde dosahuje pro Vás dostatečně „komfortní“ hodnoty (obvykle cca 60cm od podlahy, v poloze v sedě). Při zjištění rozdílu v rozmezí $\pm 4^{\circ}\text{C}$ můžete zadat potřebnou korekci v menu konvektoru (Důležitá podmínka – funkce může být nastavována pouze po provedené teplotě ohřívání místnosti – v závislosti na typu místnosti je minimální potřebná doba 7 hodin) o rozdíl mezi údajem konvektoru a naměřenou teplotou.



Poznámka: tato funkce se používá za účelem dosažení lepšího teplotního komfortu a úspory energie uživatelem elektrického konvektoru v místnosti, kde se nachází. Rozdíl větší než $\pm 4^{\circ}\text{C}$ naměřené teploty na požadovaném místě v místnosti znamená, že místnost, kde používáte konvektor není dobře izolovaná nebo dobře temperovaná.


Příklad: konvektor umístěný v místnosti, nad kamennou podlahou – údaje na konvektoru 18°C (při nastavení 22°C), naměřená reálná teplota (pocit dosažení komfortní teploty) 22°C ve výšce 60cm od podlahy - > v tomto případě konvektor pokračuje v přehřívání místnosti (jedná se o přímou ztrátu energie, konvektor však nemůže dosáhnout zadané teploty, protože měří teplotu v nízké výšce u podlahy) a nevypne se. Je potřeba zadat teplotní korekci čidla $+4^{\circ}\text{C}$ – v tomto případě bude konvektor ukazovat 22°C a začne se vypínat – přičemž bude udržovat zadanou teplotu 22°C)

Normální nastavení funkce je 0°C dle továrního nastavení

- jestliže si přejete změnit hodnotu - konvektor je v režimu „Vypnuto“, zmáčknutím tlačítka ▼ a tlačítka

“On/Off” po dobu tří sekund – na displeji začíná blikat, 0°C“ Můžete zmáčknout tlačítko ▼ nebo tlačítko ▲, abyste dosáhl/a rozmezí „-4°C“ až „4°C“, vyčkáte 3 sekundy a funkce se automaticky uloží.

- Když si chcete ověřit jaká korekce byla nastavena – konvektor je v režimu „Vypnuto“, zmáčknutím tlačítka ▼ a tlačítka „On/Off“ po dobu tří sekund – na displeji začíná blikat zadaná teplota. Můžete zmáčknout tlačítko ▼ nebo tlačítko ▲, abyste zadal/a novou hodnotu v rozmezí „-4°C“ až „4°C“.

 **Poznámka:** Po použití funkce továrního resetu – je potřeba opětovně zadat korekci teploty, tovární nastavení je 0°C.


Adaptivní start

- adaptivní startovací kontrola je funkce, která předpovídá a zahajuje optimální začátek ohřevu tak, aby bylo dosaženo zadané teploty v požadovaném čase
- funkce je zapnuta v továrním nastavení
- jestliže si přejete změnit hodnotu - konvektor je v režimu „Vypnuto“, zmáčknutím tlačítka „▲“ a tlačítka „Timer“ po dobu tří sekund – na displeji začíná blikat „A_On“, musíte zmáčknout „▼“, abyste dosáhl/a „A_OFF“, vyčkáte 3 sekundy a funkce se automaticky uloží.
- Pro návrat do stavu „ON“ - konvektor je v režimu „Vypnuto“, zmáčknutím tlačítka ▲ a tlačítka „Timer“ po dobu tří sekund – na displeji začíná blikat „AOFF“, musíte zmáčknout ▼, abyste dosáhl/a „A_On“, vyčkáte 3 sekundy a funkce se automaticky uloží.

Tuto funkci nastavujete dle svých potřeb. Přístroj pracuje dle nastavené teploty „komfort“ do dosažení stabilního stavu 17 hodin – tato teplota je referenční komfortní teplota. Je potřeba nastavit i období s nižší teplotou na minimálně 7 hodin, než je zadaná komfortní teplota s rozdílem 4°C ± 1°C. Při aktivním adaptivním nastavení – ponechte elektronický termoregulátor přístroje pracovat po dobu 4 cyklů (4 x 24 hodin) v cyklech komfort (17 hodin) a snížené teploty (7 hodin). Po skončení posledního období snížení musí být komfortní teplota dosaženo v rámci ± 30 minutové odchylky od zadaného času – s maximálním rozdílem ± 1°C k referenční komfortní teplotě.

“Ochrana před dětmi”

Můžete zamknout tlačítka pomocí déle trvajícího současného zmáčknutí šipky ▼ a „Časovač“, abyste zabránil/a změně nastavení. Zopakujte stejný postup, pro odemčení tlačítek.

 **Poznámka:** Když je klávesnice zamčená a zmáčknete některé z tlačítek, na displeji by se měl objevit nápis „LOC_“

Nastavení „Týdenního programátoru 24/7“



Přístup do režimu nastavení „Týdenního programátoru“ je možný pouze pokud má přístroj nastavený čas a den týdne.

Vstup a výstup z režimu nastavení se provádí pomocí déle trvajícího zmáčknutí tlačítka „Timer“.

Parametry nastavení jsou tři – den v týdnu, čas a zadání teploty, přičemž přepínání mezi těmito parametry se uskutečňuje krátkým zmáčknutím tlačítka „Timer“ v pořadí den, čas, teplota. Uložení se provádí krátkým zmáčknutím tlačítka „Timer“, po nastavení posledního parametru – teploty.

Změna hodnot každého parametru se provádí tlačítky ▲ a ▼.

Podmínky pro uložení

- Po uložení již v bodu není možné provést změny až do opuštění probíhajícího nastavení.
- Při uložení prvního výchozího bodu daného dne v probíhajícím nastavení, jsou všechny další body dne předem smazány.
- Uložení dalších bodů v daném dni je možné pouze v hodinách do konce dne, po posledním uloženém bodu.
- Při uložení v poslední hodině dne – 23.5h, nebude již možno uložit další body v probíhajícím nastavení a na displeji se objeví nápis FULL a číslo dne.
- Jestliže se v daném dni neprovádí žádné změny v probíhajícím nastavení, zůstanou všechna nastavení zachována.

Cílem nastavení je uložit všechny tři parametry v tak zvaných výchozích bodech (SET POINTS), přičemž je zadaná teplota v každém z výchozích bodů dodržována až do dalšího výchozího bodu реперна точка се изпълнява до следващата такава.

Příklad: Jestliže jste v daném dni uložili hodnoty v 7 hodin s teplotou 22°C, a přejete si aby teplota zůstala stejná do 19 hodin (kdy plánujete teplotu 23°C), není potřeba ukládat po jedné hodině do 19 hodin, ale musíte pouze uložit teplotu 22°C v 7 hodin a teplotu 23°C v 19 hodin. Automaticky bude v tomto období (7-19 hodin) teplota 22°C.

Způsob uložení každého bodu je následující:

Po vstupu do nastavení se na displeji objeví dAY1, přičemž číslice bliká, což znamená, že se jedná o nastavovaný parametru (v tomto případě je to den týdne).

- Tlačítky ▲ a ▼ se volí den
- Krátkým zmáčknutím tlačítka „Timer“ přejdete na nastavení času
- Tlačítky ▲ a ▼ volíte čas (v intervalu 0,5h) výchozího bodu
- Krátkým zmáčknutím tlačítka „Timer“ přejdete na nastavení teploty

- e. Tlačítky ▲ a ▼ volíte teplotu. Rozmezí nastavitelných teplot je od 10 do 30°C a vypnutý stav OFF.
- f. Krátkým zmáčknutím tlačítka „Timer“ se provádí uložení bodu a přechází se k nastavení následujícího bodu (na displeji se opět objeví dAYX) a přejdete k bodu a/ pro následující bod.
- g. Při ukládání nastavení v poslední hodině dne – 23.5h, nebude možné v ten samý den již uložit další nastavení v probíhajícím nastavení a na displeji se objeví nápis FUL_ a číslo dne.



POZOR: Body v daném dni mohou být ukládány pouze v postupném pořadí hodin.



Info: Před tím než provedete bod f) se můžete vrátet do bodu a) pro opravu všech třech parametrů bodu, pomocí krátkého zmáčknutí tlačítka ON/OFF, aniž byste uložili nastavení do paměti.

Přidávání bodů v daném dni může být prováděno náhodně, po uložení nastavení v dalších dnech, ale pouze za zachování pravidla postupného pořadí hodin v daném dni.

Nastavení opustíte déle trvajícím zmáčknutím tlačítka „Timer“ nebo po uplynutí 30 sek.

Po opuštění nastavení si můžete prohlédnout uložené body zmáčknutím tlačítek ▲ a ▼ jestliže je přístroj v programovém režimu.



Poznámka: Po zapnutí je přístroj v režimu (ohřev nebo program), ve kterém se nacházel před vypnutím.



Poznámka: Přepínání pracovního režimu (ohřev nebo program), pomocí krátkého zmáčknutí tlačítka Timer v zapnutém stavu.

Funkce „Reset“ na tovární nastavení

Když je konvektor v režimu „Vypnuto“, zmáčknete současně tlačítko ▲ a tlačítko ▼ na dobu 6 sekund – poté začne na displeji blikat „_ _ _ _“ a symboly se začnou střídát. Když budete „Resetovat“ uvidíte na displeji naměřenou hodnotu okolní teploty.

Po použití funkce resetování, musíte opět navolit níže uvedené funkce:

- nastavení hodin
- zadejte hodnotu pro korekci teploty (v případě potřeby)
- deaktivace funkce Režim proti zamrznutí (v případě potřeby)
- deaktivujte adaptivní start (v případě potřeby)
- týdenní program – 24/7

Jestliže se elektrický konvektor vypne z elektrické sítě, toto nemá vliv na zadanou teplotu a pracovní režim, ve kterém byl před vypnutím. Jestliže byl například v

režimu „Ohřev“ při vypnutí, bude po svém zapnutí opět ve stejném režimu, se stejnou zadanou teplotou.



Princip, který je založen v elektrickém konvektoru s pamětí nezávislou na energii je zachování nastavení s garancí do 90 minut a bez garance do 150 minut.

Když je teplota v místnosti nižší, než ta, kterou jste nastavil/a pomocí elektronického termoregulátoru, začne konvektor pracovat a bude pokračovat do chvíle, kdy teplota v místnosti dosáhne zadané hodnoty. Když je teplota v místnosti vyšší než hodnota zadaná termoregulátorem, konvektor se automaticky přepne do režimu „Pohotovost“.

Informace objevující se na displeji

Ukazatele, jestliže nejsme v nastavení:

- a. V režimu vypnuto – postupně se zobrazuje:
 - čas (hodina a minuty)
 - naměřená pokojová teplota
- b. V režimu ohřevu – zobrazuje naměřenou pokojovou teplotu
- c. V režimu program – postupně se zobrazuje
 - den týdne podtržítka a naměřená teplota. 6_22
 - den týdne podtržítka a blikající teplota zadaná v programu (zadání pro danou hodinu), která může být i symbol OFF. 6_23
- d. Při zapnutí napájení konvektoru se na displeji zobrazí:
 - pomlčky „----“, jestliže byl konvektor ve chvíli přerušení napájení ve stavu vypnuto.
 - pomlčky „----“, které jsou po 2 sek vystřídány ukazatelem okamžité teploty, jestliže byl ve chvíli přerušení napájení ve stavu zapnuto.
- e. Dvě číslice (01÷96) v kombinaci s blikající žlutou světelnou diodou, které vyznačují zbývající čas v hodinách do odloženého startu, jestliže byl konvektor ve chvíli přerušení napájení v režimu „Odložený start“.
- f. S cílem dosáhnout další úspory elektrické energie, snižuje elektronický termoregulátor sílu jasu světla všech indikátorů. Při zmáčknutí jakéhokoliv tlačítka je jas zvýšen na dobu 8 sekund, a poté se opět sníží.
- g. Jestliže se na displeji zobrazí „t0“ nebo „t1“, znamená to, že funkce sebediagnostiky odhalila problém v teplotním čidle. „t0“ znamená přerušovaný kabel senzorů, „t1“ je zkrat čidla. V takovém případě se elektrický konvektor vypne a opětovně zapnutí bude možné až po odstranění poruchy. Porucha musí být odstraněna kvalifikovaným odborníkem.
- h. Při zapnutí napájení se na 2 sekundy na displeji objeví pomlčky „----“ místo teploty nebo času.
- i. Když se na číselném displeji zobrazuje teplota, svítí „LED teploty“, když se zobrazuje zbývající čas do odloženého startu, svítí „LED času“.

OCHRANA

- Výrobek je vybaven ochranným termosnípačem, který automaticky vypne ohřívač v případě zvýšení teploty v konvektoru nad přípustnou hodnotu /tzv. přehřátí zařízení/.
- Ochranný termosnípač automaticky obnoví práci konvektoru až poté, co se teplota zařízení sníží pod přípustné mezní hodnoty.

ČIŠTĚNÍ

- Vždy nejprve vypněte konvektor příslušným tlačítkem a vytáhněte zástrčku z elektrické zásuvky ve zdi. Před tím než začnete s čištěním, nechte konvektor vychladnout se zástrčkou vytaženou z elektrické zásuvky.
- Zadní část konvektoru se dá snadno vyčistit – jednoduše stiskněte úchyty /obr.2/ na zadní straně konvektoru a uvolněte jej, abyste mohli vyčistit jeho zadní stranu.
- Korpus čistěte vlhkým hadříkem, vysavačem nebo kartáčem.
- Nikdy výrobek neponořujte do vody – vystavujete se smrtelnému nebezpečí úrazu elektrickým proudem!
- Nikdy nepoužívejte benzín, ředidlo nebo hrubé abrazivní čisticí prostředky pro čištění konvektoru, protože byste tím poškodili jeho povrch.

USKLADNĚNÍ

- Před tím než uskladníte konvektor, vytáhněte napájecí kabel z elektrické sítě a nechte topidlo vychladnout
- Použijte původní balení pro uskladnění konvektoru, jestliže jej nebudete používat delší dobu. Výrobek je chráněn před přílišným zaprášením a znečištěním tím, že jej uskladníte v jeho originálním balení.
- Nikdy nevkládejte teplý výrobek do obalu!
- Výrobek je třeba skladovat na suchém místě, chráněném před přímým slunečním světlem.
- Je výslovně zakázáno skladovat výrobek ve vlhkých nebo mokrych místnostech.

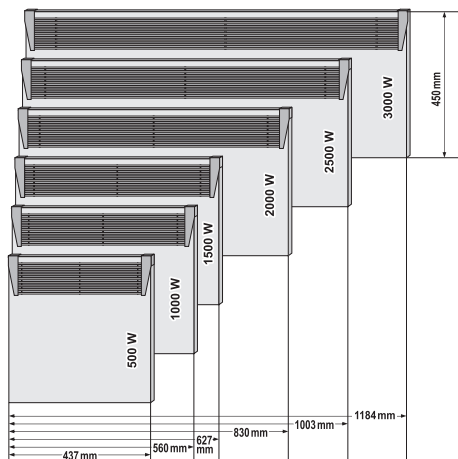
SERVISNÍ ÚDRŽBA PŘÍSTROJE

- V případě poruchy přístroje, prosím, kontaktujte Vám nejbližší umístěný autorizovaný servis /jeho adresa je uvedena na záručním listu výrobku/.
- **Důležité:** V případě, že by došlo k reklamaci a/ nebo porušení Vašich zákaznických práv, prosím, kontaktujte dodavatele tohoto výrobku na uvedené adrese nebo na internetových stránkách podniku: www.tesy.com

ROZMĚRY ZAŘÍZENÍ, VYTÁPĚNÝ OBJEM A PLOCHA MÍSTNOSTI

Model	Vytápěný objem	Vytápěná plocha
CN 03 050 EIS W - 500W	10* - 15 m ³	4* - 6 m ²
CN 03 100 EIS W - 1000W	20* - 30 m ³	8* - 12 m ²
CN 03 150 EIS W - 1500W	30* - 45 m ³	12* - 18 m ²
CN 03 200 EIS W - 2000W	40* - 60 m ³	16* - 24 m ²
CN 03 250 EIS W - 2500W	50* - 70 m ³	20* - 28 m ²
CN 03 300 EIS W - 3000W	60* - 80 m ³	24* - 32 m ²

* Minimální garantovaný vytápěný objem (plocha) pro vytápění s průměrným součinitelem tepelné vodivosti $\lambda=0.5 \text{ W}/(\text{m}^2\text{K})$ vytápěné místnost. Vyšší hodnoty vytápěného objemu (plochy) jsou dosažitelné při průměrné hodnotě $\lambda=0.35 \text{ W}/(\text{m}^2\text{K})$. Standardní výška místnosti – 2.5m.



Pozor: abyste předešli přehřátí zařízení, nepokrývejte jej!



Pokyny k ochraně životního prostředí

Výrazné elektrospořebače obsahují cenné materiály a proto bychom je neměli vyhadzovat spolu s odpady z domácnosti! Prosíme Vás, abyste aktivně přispěli při ochraně přírodních zdrojů a ochraně životního prostředí a předali zařízení do vykupny odpadů (jestliže je k dispozici).

TABULKA 2: POŽADAVKY NA INFORMACE TÝKAJÍCÍ SE ELEKTRICKÝCH LOKÁLNÍCH TOPIDEL
Identifikační značka (značky) modelu: 1.CN03 050 EIS W; 2.CN03 100 EIS W; 3.CN03 150 EIS W; 4.CN03 200 EIS W; 5.CN03 250 EIS W; 6.CN03 300 EIS W 230V~ 50Hz

Údaj	Značka	Hodnota 1	Hodnota 2	Hodnota 3	Hodnota 4	Hodnota 5	Hodnota 6	Jednotka	Údaj	Jednotka
Tepelný výkon									Pouze u akumulčních elektrických lokálních topidel: typ příjmu tepla (vyberte jeden)	
Jmenovitý tepelný výkon	P_{nom}	0.50	1.00	1.50	2.00	2.50	3.00	kW	ruční řízení akumulace tepla s integrovaným termostatem	[ne]
Minimální tepelný výkon (orientační)	P_{min}	0.00	0.00	0.00	0.00	0.00	0.00	kW	ruční řízení akumulace tepla se zpětnou vazbou informující o teplotě v místnosti a/nebo venkovní teplotě	[ne]
Maximální trvalý tepelný výkon	$P_{max,C}$	0.50	1.00	1.50	2.00	2.50	3.00	kW	elektronické řízení akumulace tepla se zpětnou vazbou informující o teplotě v místnosti a/nebo venkovní teplotě	[ne]
Spotřeba pomocné elektrické energie									výdej tepla s ventilátorem	[ne]
Při jmenovitém tepelném výkonu	$e_{l,max}$	0.43	0.93	1.44	1.91	2.45	2.91	kW	Typ výdeje tepla/regulace teploty v místnosti (vyberte jeden)	-
Při minimálním tepelném výkonu	$e_{l,min}$	0.00	0.00	0.00	0.00	0.00	0.00	kW	jeden stupeň tepelného výkonu, bez regulace teploty v místnosti	[ne]
V pohotovostním režimu	el SB			0.00033				kW	dva nebo více ručních stupňů, bez regulace teploty v místnosti	[ne]
									s mechanickým termostatem pro regulaci teploty v místnosti	[ne]
									s elektronickou regulací teploty v místnosti	[ne]
									s elektronickou regulací teploty v místnosti a denním programem	[ne]
									s elektronickou regulací teploty v místnosti a týdenním programem	[ano]
									Další možnosti regulace (lze vybrat více možností)	[ne]
									regulace teploty v místnosti s detekcí přítomnosti osob	[ne]
									regulace teploty v místnosti s detekcí otevřeného okna	[ne]
									s dálkovým ovládním	[ne]
									s adaptivně řízeným spouštěním	[ano]
									s omezením doby činnosti	[ne]
									s černými kulovými čidlem	[ne]

TESY Ltd
48 Madara Blvd,
Shumen, 9700,
Bulgaria

! *Preberite ta navodila, preden začnete uporabljati napravo, in jih shranite, da jih boste lahko kadarkoli spet prebrali. Če naprava zamenja lastnika, mu morate navodila izročiti skupaj z napravo.*

Zahvaljujemo se vam, ker ste izbrali konvektor CN03. To je izdelek, s katerim se boste pozimi lahko greli glede na vaše potreb za doseg udobne toplote v ogrevanih prostorih. Če boste napravo uporabljali pravilno in skrbeli zanjo, kot je opisano v navodilih, bo dolga leta pravilno delovala.

POMEMBNI VARNOSTNI UKREPI IN VARNOSTNA NAVODILA:

! *Otroci do 3 leta se ne smejo približevati napravi, razen če so pod stalnim nadzorom odrasle osebe.*

Otroci, stari od 3 do 8 let, lahko uporabljajo samo gumb za vklop/izklop naprave, toda le ko je naprava pravilno nameščena in deluje normalno. Pred tem je potrebno otroke naučiti varne uporabe gumba in jim razložiti možne nevarnosti nepravilne uporabe.

Otroci, stari od 3 do 8 let, ne smejo priklapljati naprave v vtičnico, določati nastavitve, čistiti naprave ali jo vzdrževati.

To napravo lahko otroci nad 8 letom starosti in osebe z zmanjšanimi fizičnimi, čutnimi ali umskimi sposobnostmi ter osebe s pomanjkljivim znanjem in izkušnjami, lahko uporabljajo samo, če jih pri tem nadzoruje in daje navodila za uporabo oseba, ki odgovarja za njihovo varnost! Pazite, da se otroci ne igrajo z napravo.

! *Nekateri deli naprave lahko postanejo zelo vroči in povzročijo opekline. Bodite pozorni, kadar mimo nje hodijo otroci ali druge ranljive osebe.*

- Preden vklopite napravo, preverite, če električna napetost, navedena na etiketi z informacijami, ustreza napetosti v vašem domu.
- Ta naprava se lahko uporablja samo skladno z njenim namenom, t.j. ogrevanje bivalnih prostorov. Naprava ni namenjena za gospodarske objekte. Vsak drug način uporabe je nepravilen in zato tudi nevaren. Proizvajalec ne odgovarja za poškodbe, povzročene z nepravilno in nespametno uporabo. Pri neupoštevanju varnostnih napotkov se garancijski rok za napravo prekine.
- Izklopite napravo, preden zapustite dom. Prepričajte se, da je gumb na poziciji izklop (pri konvektorjih z mehanskim termostatom).
- Ne približujte gorljivih predmetov (npr. pohištva, blazin, odej, papirja, oblek, zaves...) na več kot 1 m od konvektorja.
- Ne uporabljajte naprave v prostoru, kjer se uporabljajo ali skladirajo vnetljive snovi (npr. v bližini vnetljivih plinov ali razpršil) – obstaja velika nevarnost eksplozije in požara.
- Pazite, da v ventilacijske odprtine (vhodne in izhodne) ne popadejo tuji in jih tudi sami ne potiskajte notri, saj to lahko povzroči kratek stik, požar ali poškodbe naprave.
- Naprava ni primerna za prostore, kjer se nahajajo živali – uporablja se samo v bivalnih prostorih.
- Ne pokrivajte naprave in ne zapirajte zračnega toka do vhodnih in izhodnih odprtin. Vsi predmeti morajo biti oddaljeni od naprave vsaj 1 m oz. stati ob strani.
- Najpogostejši razlog, da naprava pregreje, so prah in kosmi, ki se nabirajo v napravi. S sesalcem redno čistite ventilacijske odprtine – pred tem obvezno izključite napravo iz električnega omrežja.
- Nikoli se ne dotikajte naprave z mokrimi ali vlažnimi rokami – obstaja smrtna nevarnost.
- Vtičnica mora biti dostopna ves čas, da je mogoče vtikalo po potrebi kar najhitreje izvleci! Nikoli ne vlecite električnega kabla ali naprave, ko želite izvleči vtikalo iz omrežja.


- **Pozor!** Ko naprava deluje, se izhodni zrak segreva (več kot 100°C).
- Če je poškodovan kabel naprave, je ne uporabljajte in takoj pokličite dobavitelja/prodajalca za dodatne informacije.
- Če se odločite prenehati uporabljati to napravo, priporočamo, da jo naredite neuporabno: izvlecite kabel iz vtičnice in ga prerežite. Priporočamo tudi, da odstranite vse nevarnosti, povezane z neuporabno napravo, še posebno pred otroci, ki bi se lahko igrali z njo.
- Nikoli ne postavljajte naprave neposredno pod vtičnico!
- **Pozor:** ne uporabljajte te naprave s programatorjem, tajmerjem ali z drugo opremo za avtomatični vklop konvektorja, saj lahko pride do požara, če je naprava pokrita ali nepravilno postavljena.
- Kabel naprave naj bo položen tako, da ne moti gibanja ljudi in se ga ne pohoja! Uporabljajte samo odobrene električne podaljške, ki so primerni za to napravo, t.j. ki imajo oznako skladnosti!
- Nikoli ne prestavljajte naprave tako, da jo vlečete za kabel in ne uporabljajte kabla za prenašanje predmetov!
- Ne prepogibajte kabla, ne vlecite ga preko ostrih robov, ne polagajte ga na vroče plošče ali odprt ogenj!

OVOJNI MATERIAL

- Ko izpakirate napravo, preverite, če je pri prevozu prišlo do poškodb in če imate vse dele! V primeru, da vidite poškodbo ali je dobava nepopolna, se povežite s pooblaščenim prodajalcem!
- Ne vrzite stran originalne škatle! Lahko jo uporabljate za shranjevanje ali prevoz in se s tem izognete poškodbam pri prevozu!
- Embalažo odvrzite na primeren način! Pazite, da se otroci ne bodo igrali s polietilenskimi vrečami!

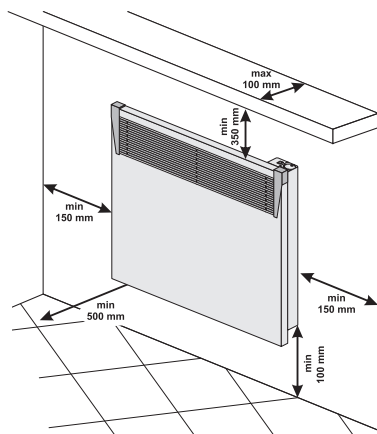
NAVODILA ZA NAMESTITEV

- Ta konvektor se uporablja v zaprtih prostorih in se namesti na steno.

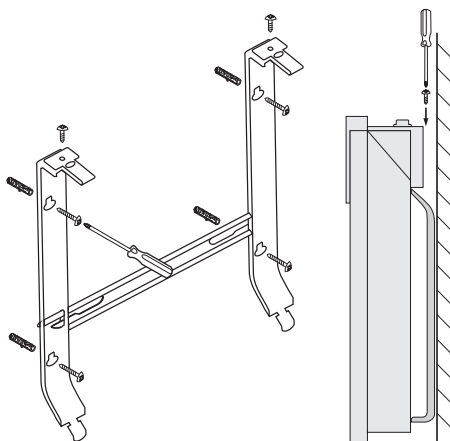
 **Pomembno:** V prostoru, ki ima več kot 45 m³ prostornine, se priporoča uporaba 2 ali več konvektorjev.

- Ne nameščajte konvektorja pod električno vtičnico ali razdelilno dozo.

- Ne nameščajte/uporabljajte konvektorja:
 1. na mestu s prepihom, saj to lahko vpliva na nastavitve;
 2. neposredno pod električno vtičnico;
 3. v prostoru 1 (volume 1) za kopalnice;
 4. v prostoru 2 (volume 2), če lahko človek, ki se kopa ali tušira, doseže nadzorno ploščo.
- Pri nameščanju konvektorja na steno uporabljajte samo stojala, ki so v kompletu naprave. Upoštevajte minimalne oddaljenosti



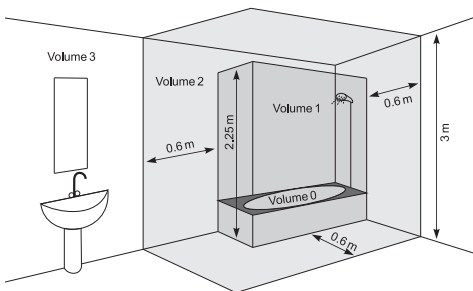
- Najprej snemite stojala s hrbtnega dela telesa. Odvijte vijaka na zgornjem delu navpičnih nosilcev za stojala. Izvlecite zgornji del nosilca tako, da močno pritisnete zgornja dela na hrbtnem delu telesa naprave.



- Potegnite stojalo za steno navzdol in ga snemite s hrbtnega dela.
- Izvrtajte štiri luknje in dobro pritrdite stojalo na steno.
- Dvignite konvektor v skoraj vodoravni položaj in potisnite spodnja dela stojal v odprtini na spodnjem delu hrbtni strani konvektorja. Potem privzdignite konvektor in potisnite še zgornja dela stojal v zgornji odprtini na hrbtni strani konvektorja. Na koncu dobro privijte še vijaka in tako pritrdite konvektor na steno.

UPORABA V KOPALNICI

- Konvektor mora biti nameščen skladno z normalno trgovsko prakso in skladno z zakonodajo vaše države (direktiva o električni energiji EO in zahteve za posebne inštalacije in lokacije (kopalnice ali tuši) HD60364-7-701(IEC 60364-7-701:2006)).



- Če boste konvektor uporabljali v kopalnici ali podobnem prostoru, morate pri namestitvi upoštevati naslednje zahteve: konvektor ima stopnjo zaščite IP24 (zaščita pred škropljenjem vode). Zato ga morate namestiti v prostor 2 (volume 2), kot kaže skica spodaj, da se človek, ki se kopa ali tušira, ne more dotakniti nadzorne plošče (sitkala ali termostata). Minimalna razdalja naprave do vodnega vira mora biti najmanj 1 m! Naprava mora biti obvezno nameščena na steno. Če niste prepričani, da vam bo uspelo pravilno namestiti konvektor v kopalnici, vam priporočamo, da se posvetujete z elektrotehnikom.

Opomba: če navedeni pogoji ne morejo biti izpolnjeni, priporočamo, da namestite napravo v prostoru 3 (VOLUME 3).

- V vlažnih prostorih (kopalnica, kuhinja) mora biti vtičnica najmanj 25 cm od tal.
- Instalacija mora biti opremljena z avtomatskim varovalom, pri katerem mora biti razdalja med stikalom, ko je izklopljena, najmanj 3 mm.

NAVODILA ZA UPORABO

ELEKTRONSKO UPRAVLJANJE

Delovanje

LED za režim "Odložen start" / Režim "Program"

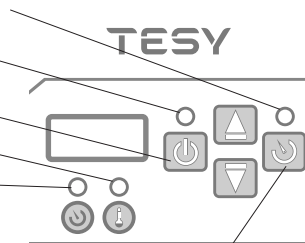
LED za režim "Gretje" / Grelec je vključen


Gumb ON/OFF

LED za temperaturo

LED za čas

Gumb „Timer“ za vklop režimov „Odložen start“ ali “Program”



Vklopite konvektor, pritisnite Gumb do položaja "I" (Vključeno) .

Nastavitev ure

Настройка на часовника е възможна само в режим изключено – настройва се текущия ден от седмицата, час и минути.

Nastavitev ure je možna samo v režimu izklopljeno – nastaviti morate tekoči dan v tednu, uro in minuto.

Za nastavitev ure morate hkrati dalj časa zadržati gumba „ON/OFF“ in „Timer“. Parameter, ki ga želite nastaviti, utripa na displeju. Parameter, ki ga želite nastaviti, določite s kratkim pritiskom gumba „Timer“. Za izhod iz nastavitve še tretjič na kratko pritisnite gumb „Timer“ (po nastavitvi minut).

Nastavitve se začnejo z dnevom v tednu od 1 do 7 glede na vrstni red tekočega dneva v tednu – vnesite ustrezno številko. Ure in minute se na displeju prikazuje istočasno, utripa pa samo parameter za nastavitev. Ure in minute spreminjate s pritiskom na gumba ▲ in ▼.

Če do 10 sekund na pritisnete gumba, boste zapustili režim nastavitve.

Vklop režima „Gretje“

Ko je konvektor izklopljen, je na displeju prikazana samo sobna temperatura in sveti samo LED za temperaturo. Ko pritisnete na gumb "On/Off", bo konvektor prešel v režim „Gretje“. Takrat se vklopi rdeči svetlobni indikator za ta režim. Če 2 sekundi se na displeju prikaže temperatura, ki ste jo določili, ta čas LED za temperaturo ne sveti. Če je sobna temperatura nižja kot določena, se bo grelec avtomatsko vklopil.

Ko je konvektor vklopljen, rdeči svetlobni indikator sveti ves čas!

Določanje temperature

S pritiskom na gumb ▲ ali ▼ pridete v režim **“Sprememba določene temperature”**. Displej začne utripati, prikaže se nazadnje določena temperatura. S pritiskanjem na gumba spreminjate nastavitve temperature navzgor ali navzdol. Če 5 sekund ne pritisnete drugega gumba, se bo določena temperatura shranila, konvektor pa bo avtomatsko prešel v režim **“Gretje”**. Če gumb ▲ ali ▼ zadržite za več kot 0,7 sekunde, bo temperatura avtomatsko začela naraščati oz. padati za 4 enote na sekundo. Temperaturo lahko določate od 10 do 30 stopinj.


„Odložen start“ vklopa stenskega konvektorja.

Ko je konvektor v režimu „Izključeno“, lahko s pritiskom gumba „Timer“ določite čas, pri čemer bo konvektor avtomatsko prešel v režim „Gretje“. V režimu „Odložen start“ utripa rumen svetlobni indikator, rdeči pa ugasne. Na displeju se bosta izmenično prikazovala sobna temperatura, ko sveti LED za temperaturo, in koliko časa ostaja do vklopa režima „Gretje“, ko sveti LED za čas. Takoj po vklopu režima „Odložen start“ zasveti rumeni svetlobni indikator, na displeju pa začne utripati ura, ob kateri naj se konvektor vključi. Prva ura, ki se prikaže, je 12.00, s pritiskom ▲ ali ▼ pa spreminjate uro navzgor ali navzdol. Če gumb ▲ ali ▼ zadržite za več kot 0,7 sekunde, bo željena ura avtomatsko začela naraščati oz. padati za 4 enote na sekundo. Če 5 sekund ne pritisnete gumba „Timer“ ali drugega gumba, bo regulator avtomatsko prešel v režim „Odložen start“. Na displeju se bo prikazala temperatura in čas, ki ostane do vklopa režima „Gretje“. Režim „Odložen start“ lahko zapustite s pritiskom gumba **“On/Off”**. Takrat bo konvektor prešel v režim „Gretje“. Režim „Odložen start“ lahko določate od 01 do 96 ur.

Izklop režima „Gretje“

Režim „Gretje“ izklopite s pritiskom gumba **“On/Off”**. Takrat se grelec izklopi in če je bil pred tem vklopljen, rdeči svetlobni indikator ugasne. Na displeju je še vedno prikazana sobna temperatura.

Funkcija „Proti zmrzovanju“

Če sobna temperatura pade pod 5° C in je konvektor izklopljen (ne sveti rdeči svetlobni indikator), vklopljen pa je mehanski gumb “I” (Vključeno ) , se bo grelec avtomatsko vklopil, da ne bi prišlo do zmrzovanja.



Določene temperaturne korekcije na temperaturnem senzorju pri tej funkciji niso veljavne..

Vklop in izklop funkcije:

- Funkcija je vklopljena po tovarniških nastavitvah.
- Če želite izklopiti funkcijo (konvektor v režimu „Izključeno“), pritisnite gumb ▲ in **“On/Off”** za 3 sekunde, pri čemer bo na displeju začelo utripati „ON“. Nato pritisnite gumb ▼, da pridete do pozicije „OFF“, nato počakajte še 3 sekunde in funkcija bo avtomatsko prešla v režim „OFF“.
- Če želite zopet vklopiti funkcijo (konvektor v režimu „Vključeno“), pritisnite gumb ▲ in **“On/Off”** za 3 sekunde, pri čemer bo na displeju začelo utripati „OFF“. Nato pritisnite gumb ▼, da pridete do pozicije „ON“, nato počakajte še 3 sekunde in funkcija bo avtomatsko prešla v režim „ON“.

Funkcija temperaturna korekcija senzorja

Zaradi specifične temperaturnega profila v različnih prostorih lahko pride do razlik med temperaturo, ki je prikazana na displeju, in realno izmerjeno temperaturo na različnih pozicijah grelne naprave v prostoru.

- Preverite, kakšna temperatura je prikazana na displeju.
- Izmerite temperaturo tam, kjer vam je najbolj „udobno“ (običajno 60 cm od tal za sedeči položaj). Če je razlika med prikazano in izmerjeno temperaturo $\pm 4^{\circ}\text{C}$, lahko vnesete potrebne korekcije v meniju konvektorja (Pomembno! Ta funkcija se lahko uporabite samo po temperiranju prostora, ki znaša najmanj 7 ur in se razlikuje po prostorih).



Opomba: ta funkcija se uporablja za večje temperaturno udobje in varčevanje z energijo uporabnika konvektorja. Večja razlika od $\pm 4^{\circ}\text{C}$ med prikazano in izmerjeno temperaturo v prostoru, kjer se nahaja konvektor, pomeni, da prostor ni dobro izoliran in temperiran.


Primer: konvektor, ki stoji v prostoru s kamnitimi tlemi – temperatura, prikazana na displeju, je 18°C (pri določenih 22°C), izmerjena dejanska temperatura (občutek dosežene željene temperature) pa je 22°C 60 cm nad tlemi -> v tem primeru konvektor preveč ogreva prostor (kar predstavlja neposredno izgubo energije, toda konvektor ne more doseči določene temperature, ker meri temperaturo pri tleh) in se ne bo izklopil. Potrebno je vnesti temperaturno korekcijo +4°C na senzorju – v tem primeru se bo na konvektorju prikazala temperatura 22°C in konvektor se bo izklopil in vzdrževal temperaturo 22°C)

Normalno stanje funkcije je 0°C po tovarniških nastavitvah

- Če želite spremeniti temperaturo (konvektor v režimu „Izključeno“), pritisnite gumb ▼ in **“On/Off”** za 3 sekunde, pri čemer bo na displeju začelo

utripati „0°C“. Nato pritisnete gumb ▼ ali ▲, da dosežete razpon od „-4°C“ do „+4°C“. Nato počakajte še 3 sekunde in funkcija se bo avtomatsko shranila.

- Če želite preveriti, kakšna je nastavljena korekcija (konvektor v režimu „Izključeno“), pritisnite gumb ▼ in „On/Off“ za 3 sekunde, pri čemer bo na displeju začela utripati določena temperatura. Lahko pritisnete gumb ▼ ali ▲, da določite novo vrednost v razponu od „-4°C“ do „+4°C“.

 **Opomba:** Po funkciji tovarniške ponastavitve je potrebno ponovno vnesti korekcijo temperature, saj je tovarniško določena vrednost 0°C.


Prilagojen start

- Prilagojen nadzor starta je funkcija, ki napoveduje in prikazuje optimalni začetek gretja za dosego določene temperature v željenem času.
- Funkcija je vklopljena po tovarniških nastavitvah.
- Če želite spremeniti vrednost (konvektor v režimu „Izključeno“), pritisnite gumb „▲“ in gumb „Timer“ za 3 sekunde, pri čemer bo na displeju začelo utripati „A_On“. Nato pritisnete gumb „▼“ da dosežete „AOff“, in počakajte še 3 sekunde, da se funkcija shrani avtomatsko.
- Če želite vrniti napravo v stanje „ON“ (konvektor v režimu „Izključeno“), pritisnite gumb ▲ in gumb „Timer“ za 3 sekunde, pri čemer bo na displeju začelo utripati „AOff“. Nato pritisnete gumb ▼, da dosežete „A_On“ in počakajte še 3 sekunde, da se funkcija shrani avtomatsko.

To funkcijo lahko določate po lastnih potrebah. Kovenktor deluje 17 ur po določeni temperaturi „udobja“, dokler ne doseže stabilne temperature, ki je referenčna temperatura udobja. Določiti je potrebno tudi čas z nižjo temperaturo, in sicer za najmanj 7 ur. Nižja temperatura mora biti za od 4°C ± 1°C nižja od določene temperature udobja. Pri aktiviranem prilagojenem upravljanju elektronski regulator temperature deluje 4 cikle (4 x 24 ur) v cikličnih udobja (17 ur) in nižje temperature (7 ur). Po zadnjem obdobju nižje temperature se temperatura udobja doseže v ± 30 minutah od določenega časa, maksimalno v ± 1°C od referenčne temperature udobja.

“Varnost otrok”

Gumbe lahko zaklenite s hkratnim pritiskom gumbov ▼ in „Timer“ in tako preprečite spremembo nastavitve. Ponovite isti postopek, če želite gumbe odkleniti.

 **Opomba:** ko so gumbi zaklenjeni in pritisnete katerega izmed njih, se mora na displeju prikazati napis „LOC_“

Nastavitve v „Tedenskem programatorju 24/7“



Vstop v režim nastavitve „Tedenska programatorja“ je možen le, če sta na napravi določena ustreznura in dan v tednu.

Za vstop in izstop v režim nastavitve za dalj časa zadržite gumb „Timer“.

Nastaviti je potrebno tri parametre: dan v tednu, uro in določeno temperaturo. Med parametri se premikate s kratkim pritiskom gumba „Timer“, in sicer: dan, ura, temperatura. Nastavitve shranite s kratkim pritiskom gumba „Timer“, potem ko ste določili še zadnji parameter, temperaturo.

Vrednost vsakega parametra lahko spreminjate z gumboma ▲ in ▼.

Pogoji pri shranjevanju

- Po shranitvi nastavitve pod točko ni mogoče spremeniti, dokler ne zapustite tokočih nastavitve.
- Pri shranitvi prve repertne točke določenega dne v tekočih nastavitvah bodo vse točke tega dne vnaprej izbrisane.
- Shranjevanje sledečih točk določenega dne je možno samo v ostalih urah do konca dneva po zadnji shranitvi točke.
- Pri shranjevanju v zadnji uri dneva, ob 23:50, ni mogoče shraniti druge točke v tekočih nastavitvah, na displeju pa se prikaže FULL in številka dneva.
- Če v določenem dnevu ni nobenega shranjevanja v tekočih nastavitvah, se shranijo nastavitve, shranjene pred tekočimi nastavitvami.

Namen nastavitve je shranjevanje vseh treh parametrov v t. i. repernih točkah (SET POINTS), pri čemer se določena temperatura v vsaki repertni točki izvaja do naslednje določene temperature.

Primer: če ste določenega dne ob 7:00 shranili temperaturo 22°C in želite, da ostane nespremenjena do 19:00 ure (ko želite, da se dvigne do 23°C), ni potrebno spreminjati vsake ure posebej do 19:00 ure, ampak samo shranite temperaturo 22°C ob 7:00 uri in temperaturo 23°C ob 19:00 uri. V teh dvanajstih urah (od 7:00 do 19:00) bo temperatura v prostoru 22°C.

Postopek shranjevanja vsake točke je sledeči:

po vstopu v nastavitve se na displeju prikaže dAY1, pri čemer številka utripa, kar pomeni, da je to parameter za nastavitve (v tem primeru dan v tednu).

- Z gumboma ▲ in ▼ določate željeni dan.
- S kratkim pritiskom gumba „Timer“ preidete na nastavitve ure.

- c. Z gumboma ▲ in ▼ določate željeno uro. (v intervalih po 0,5h)
- d. S kratkim pritiskom gumba „Timer“ preidete na nastavitve določene temperature.
- e. Z gumboma ▲ in ▼ določate željeno temperaturo. Lahko določite temperaturo od 10 do 30o C ali jo izklopite z gumbom OFF.
- f. S kratkim pritiskom gumba „Timer“ se shrani točka, preidete na nastavitve naslednje točke (na displeju se zopet prikaže dAYX) in na paragraf a/ za naslednjo točko.
- g. Pri shranjevanju v zadnji uri dneva, ob 23:50, ni mogoče shraniti druge točke v tekočih nastavitvah, na displeju pa se prikaže FUL_ in številka dneva.



POZOR: Točke v določenem dnevu se lahko shranjujejo samo v naraščajočem zaporedju ur..



Informacija: Pred izvajanjem paragrafa f) se lahko operator vrne na paragraf a) za korekcijo vseh treh parametrov točke s kratkim pritiskom gumba **ON/OFF**, pri čemer se nič ne shrani v spominu.

Dodatno vpisovanje točk v določenem dnevu je lahko izbirno, toda mora potekati po naraščajočem zaporedju ur v določenem dnevu.

Lahko zapustite nastavitve z daljšim pritiskom gumba „Timer“ ali počakate 30 sekund.

Ko zapustite nastavitve, si lahko ogledate shranjene točke z gumboma ▲ in ▼ če je naprava v režimu „Program“.



Opomba: po vklopu naprava začne delovati v režimu (gretje ali program), v katerem je bila pred izklopom.



Opomba: sprememba režima delovanja (gretje ali program) je možna s kratkim pritiskom gumba **Timer**, ko je naprava vključena.

Funkcija „Ponastavitev“ do tovarniških nastavitvev

Ko je konvektor v režimu „Izključeno“, hkrati pritisnete gumba ▲ in ▼ za 6 sekund. Potem bo na displeju začelo utripati „_ _ _“ in se vrteni simboli. Ko se izvaja funkcija „Ponastavitve“, se bo na displeju prikazala izmerjena sobna temperatura.

Po uporabi funkcije „Ponastavitve“ morate zopet določiti naslednje funkcije:

- določitev ure
- določitev vrednosti korekcije temperature (po potrebi)
- izklop funkcije režim Proti zmrzovanju (po potrebi)
- izklop prilagojenega starta (po potrebi)
- tedenski program - 24/7

Če električni konvektor izklopite iz električnega omrežja, to ne bo spremenilo določene temperature in režima delovanja, v katerih je deloval pred izklopom. Če je bil npr. v režimu „Gretje“ pred izklopom, bo pri ponovnem vklopu spet v tem režimu z isto določeno temperaturo.



Bistvo električnega konvektorja z energetsko neodvisnim spominom je shranjevanje nastavitvev do 90 minut oz. negarantirano do 150 minut.

Kadar je temperatura v prostoru nižja od te, ki ste jo določili z elektronskim regulatorjem temperature, se bo konvektor vklopil in deloval, dokler temperatura v prostoru ne doseže določene vrednosti. Ko se temperatura v prostoru dvigne nad določeno vrednost, konvektor avtomatsko preide v režim „Pripravljen za vklop“.

Prikaz informacij na displeju

Prikazi na displeju, kadar nismo v nastavitvah:

- a. V režimu Izključeno – zaporeden prikaz:
 - ura (ura in minute)
 - izmerjena sobne temperature
- b. V režimu Gretje – prikaz izmerjene sobne temperature
- c. V režimu Program – zaporeden prikaz:
 - dan v tednu, podčrtaj in izmerjena temperatura. 6_22
 - dan v tednu, podčrtaj in utripajoča določena programska temperatura (določena za tekočo uro), ki je lahko tudi simbol OFF. 6_23
- d. Pri vključitvi konvektorja v električno omrežje se na displeju prikažejo:
 - črtice „----“, če je bil pred izklopom konvektor izključen.
 - črtice „----“, ki jih po 2 sekundah zamenja trenutna temperatura, če je bil pred izklopom konvektor vključen.
- e. Številki (01 ÷ 96) skupaj z utripajočim rumenim svetlobnim indikatorjem, ki prikazuje čas, ki ostaja do odloženega starta, če je bil pred izklopom konvektor v režimu „Odložen start“.
- f. Za dodatno varčevanje z električno energijo elektronski regulator temperature zmanjšuje svetlost vseh indikatorjev. Pri pritisku na katerikoli gumb se indikatorji postanejo svetlejši za 8 sekund, potem pa se svetlost spet zmanjša.
- g. Ko se na displeju prikaže „t0“ ali „t1“, pomeni, da je sistem diagnosticiranja odkril problem s toplotnim senzorjem. „t0“ pomeni prekinjen kabel senzorja, „t1“ – kratek stik v senzorju. V tem primeru se konvektor izklopi, ponovni vklop pa je možen po odstranitvi defekta. Okvaro mora odpraviti usposobljen strokovnjak.

- h. Po vklopu konvektorja v električno omrežje se na displeju za 2 sekundi pojavijo črte „----“ namesto temperature ali čas.
- i. Ko se na displeju prikaže temperatura, sveti LED za temperaturo, ko se prikaže čas, ki ostaja do odloženega starta, sveti LED za čas

VARNOST

- Naprava ima vgrajeno toplotno varovalo proti pregrevanju, ki avtomatsko izklopi grelec, če se temperatura v konvektorju dvigne nad dovoljeno vrednost /tako imenovano pregrevanje naprave/.
- Toplotno varovalo bo omogočilo ponovno delovanje konvektorja šele takrat, ko temperatura naprave pade pod dovoljene vrednosti.

ČIŠČENJE

- Preden začnete čistiti napravo, vedno izvlcite vtikalo iz vtičnice in počakajte, da se naprava ohladi.
- Hrbtna stran konvektorja je preprosta za čiščenje: pritisnite nosilca /fig.2/ na hrbtni strani konvektorja, snemite ga in ga počistite.
- Telo naprave čistite z vlažno krpo, sesalcem ali krtačo.
- Nikoli ne potaplajte naprave v vodo – obstaja smrtna nevarnost zaradi električnega udara!
- Za čiščenje nikoli ne uporabljajte bencina, topil ali drugih abrazivnih sredstev, ker lahko poškodujejo telo naprave.

SHRANJEVANJE

- Preden shranite grelnik, ga izključite, izvlcite kabel iz vtičnice in pustite, da se naprava ohladi.
- Če konvektorja dalj časa ne boste uporabljali, ga shranite v originalni embalaži. Tako se izdelek zavaruje pred prašenjem in umazanijo.
- Nikoli ni spravljajte še tople naprave v embalažo!
- Hranite izdelek na suhem mestu in ga ne izpostavljajte neposredni sončni svetlobi.
- Prepovedano je shranjevanje naprave v vlažnih ali mokrih prostorih.

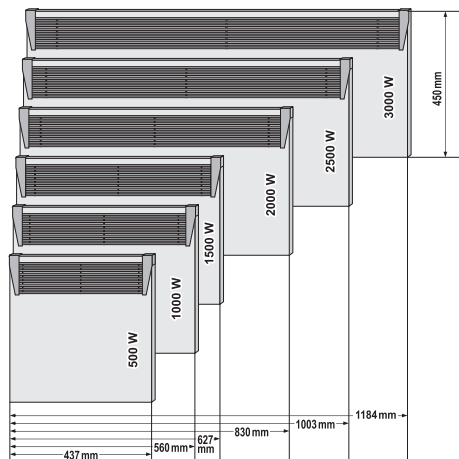
SERVISIRANJE NAPRAVE

- Če se na napravi pojavi okvara, se obrnite za pomoč na najbližji pooblaščen servis /servisi so navedeni v garancijski karti naprave/.
- **Pomembno:** v primeru reklamacije in/ali kršenja vaših potrošniških pravic, se povežite z dobaviteljem te naprave na navedenih naslovih ali preko internetne strani družbe: www.tesy.com

DIMENZIJE NAPRAVE, OGREVANA PROSTORNINA IN POVRŠINA PROSTORA

Model	Ogrevana prostornina	Površina prostora
CN 03 050 EIS W - 500W	10* - 15 m ³	4* - 6 m ²
CN 03 100 EIS W - 1000W	20* - 30 m ³	8* - 12 m ²
CN 03 150 EIS W - 1500W	30* - 45 m ³	12* - 18 m ²
CN 03 200 EIS W - 2000W	40* - 60 m ³	16* - 24 m ²
CN 03 250 EIS W - 2500W	50* - 70 m ³	20* - 28 m ²
CN 03 300 EIS W - 3000W	60* - 80 m ³	24* - 32 m ²

* Minimalena zagotovljena ogrevana prostornina za ogrevanje pri povprečnem koeficientu toplotne prevodnosti $\lambda=0.5 \text{ W}/(\text{m}^2\text{K})$ za ogrevani prostor. Višje vrednosti ogrevane površine je moč doseči pri povprečni vrednosti $\lambda=0.35 \text{ W}/(\text{m}^2\text{K})$. Standardna višina prostora – 2.5 m.



Pozor: da preprečite pregrevanje naprave, je ne pokrivajte!




Navodila za pravilno odlaganje

Stare električne naprave vsebujejo dragocene materiale, zato jih ni dovoljeno odlagati med gospodinjne odpadke! Prosimo, da jih zaradi težnje po varovanju okolja odlagate v posebna zbirališča za tovrstne odpadke.

TABUĽKA 2: POŽIADAVKY NA INFORMÁCIE PRE ELEKTRICKÉ LOKÁLNE OHRIEVAČE PRIESTORU
Identifikačný(-é) kód(-y) modelu: 1.CN03 050 EIS W; 2.CN03 100 EIS W; 3.CN03 150 EIS W; 4.CN03 200 EIS W; 5.CN03 250 EIS W; 6.CN03 300 EIS W 230V~ 50Hz


Položka	Symbol	Hodnota 1	Hodnota 2	Hodnota 3	Hodnota 4	Hodnota 5	Hodnota 6	Jednotka	Položka	Jednotka
Tepelný výkon									Spôsob prívodu tepla, iba pre elektrické akumulčné lokálne ohrievače priestoru (vyberte jeden)	
Menovitý tepelný výkon P_{nom}	0.50	1.00	1.50	2.00	2.50	3.00		kW	manuálne ovládanie množstva tepla so zabudovaným termostatom	[nie]
Minimálny tepelný výkon (orientačne)	P_{min}	0.00	0.00	0.00	0.00	0.00	0.00	kW	manuálne ovládanie množstva tepla so spätnou väzbou izbovej a/alebo vonkajšej teploty	[nie]
Maximálny priebežný tepelný výkon	$P_{max,C}$	0.50	1.00	1.50	2.00	2.50	3.00	kW	elektronické ovládanie množstva tepla so spätnou väzbou izbovej a/alebo vonkajšej teploty	[nie]
Vlastná spotreba elektrickej energie									tepelný výkon s pomocou ventilátora	[nie]
Pri menovitom tepelnom výkone	e_{lmax}	0.43	0.93	1.44	1.91	2.45	2.91	kW	Druh ovládania tepelného výkonu/izbovej teploty (vyberte jeden)	-
Pri minimálnom tepelnom výkone	e_{lmin}	0.00	0.00	0.00	0.00	0.00	0.00	kW	jednoúrovňový tepelný výkon bez ovládania izbovej teploty	[nie]
V pohotovostnom režime	e_{lSB}				0.00033			kW	dve alebo viac manuálnych úrovní bez ovládania izbovej teploty	[nie]
									s ovládaním izbovej teploty mechanickým termostatom	[nie]
									s elektronickým ovládaním izbovej teploty	[nie]
									elektronické ovládanie izbovej teploty a denný časovač	[nie]
									elektronické ovládanie izbovej teploty a týždenný časovač	[áno]
									Ďalšie možnosti ovládania (možnosť viacnásobného výberu)	[nie]
									ovládanie izbovej teploty s detekciou prítomnosti	[nie]
									ovládanie izbovej teploty s detekciou otvoreného okna	[nie]
									s možnosťou diaľkového ovládania	[nie]
									s prispôsobivým ovládaním spustenia	[áno]
									s obmedzením času prevádzky	[nie]
									so snímačom čiernej žiarovky	[nie]

TESY Ltd
 48 Madara Blvd,
 Shumen, 9700,
 Bulgaria

 **Прочитајте ова упутства пре употребе овог уређаја и чувајте ова упутства за будућу употребу. При промени власника, инструкције за рад се морају пренети заједно са уређајем!**


Хвала што сте одабрали конвектор CN03. Ово је уређај који обезбеђује грејање у зими колико је потребно да се постигне удобна топлота у загрејаној просторији. Уз правилну употребу и бриге као што је описано у овом упутству, уређај ће обезбедити дугогодишњи корисни рад.

ВАЖНЕ МЕРЕ ПРЕДОСТОРОЖНОСТИ И УПУТСТВА ЗА БЕЗБЕДНОСТ:

 ***Дјеча која су тањје од три године треба се држати на удаљености, осим ако нису под сталним надзором. Деца која имају 3 године до 8 година могу да користе само дугме укљ./икљ.јединице, под условом да је уређај инсталиран и спреман за нормалан рад и она су била уочена и праћена о упутствима о његовом коришћењу на безбедан начин и да занју да то може бити опасно.***

Деца која имају 3 године до 8 година не би требало да укључи уређај у утичницу, да га подесују да га очисте или да обављају корисничко одржавање.

Ова јединица може да се користи од стране деце која имају осам година и од стране лица са смањеним физичким, сензорним или менталним способностима, или недостатком искуства и знања, осим ако су под надзором или инструктована за безбедно коришћење уређаја и разумевају опасности. Деца не би требало да се играју са апаратом. Чишћење и корисничко одржавање не треба се обављати од стране деце без надзором.

 ***Неки делови овог урађаја могу постати веома врући и узроковати опекотине. Тамо где су присутна деца и осетљиве особе се треба посветити посебна пажња.***

- Пре укључивања уређаја, уверите се да указани напон на типској плочици одговара напону који се пружа у Вашем дому.
- Овај апарат се мора користити само на сврху за коју је предвиђен, односно за загревање простора за живот. Уређај није намењен за трговачке сврхе. Било која друга употреба може се сматрати некоректном и стога опасном. Произвођач не може бити одговоран за штету насталу услед неправилне и неразумне употребе. Непоштовање информације о безбедности ће поништити узету гаранција уређаја!
- Не излазите из Ваше куће док је уређај укључен: проверите да ли је уређај у позицији искључен. Увек уклањајте утикач апарата из утичнице.
- Држите запаљиве предмете, као што су намештај, јастуци, постељина, папир, одећа, завесе, итд на растојању од најмање 100 цм од електричног камина.
- Немојте користити уређај у просторијама где се употребљавају или се држе запаљиви материјали. Немојте користити уређај у подручјима са запаљивом атмосфером (нпр. у близини запаљивих гасова или аеросола) - постоји екстремна опасност од експлозије и пожара!
- Не убаците стране предмете или дозволити да падне у вентилационим отворима (долазни или одлазни), јер ће то проузроковати електрични удар, пожар или оштећење у конвектору.


- Уређај није погодан за гађење животиња, а исти је намењен само за кућну употребу!
- Држите улаз и излаз ваздушног потока слободан предмета: најмање 1 метар даље испред и 50 цм иза пећи. Не дозволите улазак било каквих објеката у отвору улазног ваздуха или у отвору излазног ваздуха, јер ће то изазвати струјни удар, пожар или оштећење у грејачу.
- Најчешћи узрок прегревања је акумулација тканине и прашине у уређају. Редовно чистите усисавачем вентилаторске отворе, као што је претходно потребно искључити апарат. Држите електрични камин чист.
- Никада не додирујте уређај мокрым или влажним рукама – постоји опасност по живот!
- Утичница мора бити доступна у сваком тренутку да би могло да се утикач ослободи када је то потребно што је могуће брже! Никада не вуците кабл за напајање или сам апарат за искључења из мреже.
- Обратите пажњу! Излаз ваздуха се загрева током рада (више од 100°C)
- Ако кабл овог уређаја је оштећен, прекините коришћење и обратите се продавцу / добављачу за даља упутства
- Ако одлучите да престанете да користите уређај овог типа, препоручљиво је да буде22. неупотребљив, и исећи кабл након што искључите мрежу. Такође се препоручује све опасности повезане са апаратом да буду заштићене, посебно за децу који би могли да користе амортизирани апарат (уређај) за игру.
- Уређај не мора се постављати непосредно испод кутије утичнице.
- Пажња: Немојте користити овај уређај са програматором, тајмером или други уређајима који га аутоматски укључују, јер ако је покривен или погрешно постављен постоји опасност од пожара.
- Поставите кабл за напајање, тако да не омета кретање људи, а да се не хода по њему! Користите само одобрене продужне каблове који су одговарајући за уређај, односно да имају знак усаглашености!
- Никада не премештајте апарат повлачењем кабла и не користите кабл за ношење предмета!
- Немојте савијати кабл и не повуците га преко оштре ивице и на стављајте га на вруће плоче или на отворени пламен!

ПАКОВАЊЕ

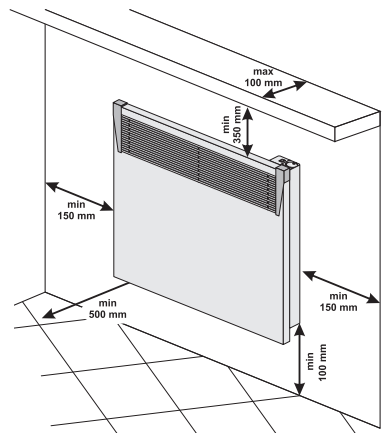
- Када распакујете уређај, проверите да ли за време превоза није увређен и потпуно опремљен! У случају да се утврди да је оштећен или непотпуна испорука, обратите се Вашем овлашћеном продавцу!
- Не бацајте оригиналну кутију! Она би могла се користити за складиштење и транспорт да се избегне штета од транспорта!
- Располагање амбалаже мора бити на одговарајући начин! Деца се треба чувати да су под надзором и да се не играју са пластичним кесам!

ИНСТРУКЦИЈА ЗА МОНТАЖ

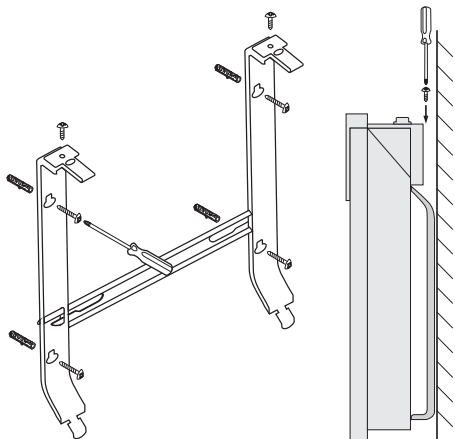
- Овај конвектор дизајниран за употребу у затвореним просторима, монтиран на зиду.

 **Важно:** За просторе с обимом више од 45 м³ препоручује се да користите комбинација од 2 или више конвектора

- Не постављајте конвектор испод електричне утичнице или прикључне.
- Немојте инсталирати / користити конвектор
 1. на месту где постоји потисак да се не омета са контролним подешавањима
 2. непосредно испод електричне утичнице;
 3. у оросторији 1 (volume 1) за купатила;
 4. у оросторији 2 (volume 2), ако контролна плоча се може достигне од стране некога ко је испод туша или у кади;
- За инсталацију конвектора на зиду треба да се користе само зидни носачи који се испоручују заједно са конвектором. Током инсталације конвектора мора бити усклађена минимална растојања од јединице



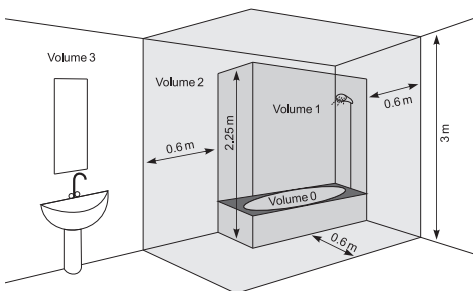
- Прво, уклоните зидне конзоле са задњег корпуса. Одвијте два шрафа који се налазе на горњем делу двоје вертикалне траке на зидним носачима. Затим повуците горњи део траке јаким притиском на два горња дела увучене у задњем корпусу.



- Клизните доље зидни носач да бисте га извадили из задњег корпуса.
- Поставите чврсто на зид зидни носач кроз урадене четири рупе за шrafoве.
- Подигните конвектор готово до вертикалног положаја и убаците два доња издата дела зидних носача у два доња прореза у задњем поклопцу конвектора. Затим подигните конвектор и убаците два горња издата дела зидних носача у два горња прореза у задњем поклопцу конвектора. На крају вратите на њихово место и затегните два вијка да бисте причврстили чврсто конвектор на зид.

УПОТРЕБА У КУПАТИЛУ

- Конвектор мора бити инсталиран у складу са уобичајеном економском праксом и у складу са законима релативне земље (наредбе за електричну енергију ЕК и захтеви за специјалне инсталације или локације са купатилима и тушевицама HD60364-7-701(IEC 60364-7-701:2006)).



- Ако овај конвектор ће се користити у купатилу или у другим сличним објектима морају бити испуњени следећи услови за инсталацију: Конвектор се с заштитом IP24 (заштита од прскања воде). Због ове чињенице морају бити инсталиран у простору 2 (volume2) (види шема доље), како би се избегла могућност ова контролна табла (кључ и терморегулатор) конвектора да буде достигнута од стране човека, који је испод туша или у кади. Минимална удаљеност од уређаја до извора воде не сме бити мања од 1 метра, а уређај мора да се монтира на зиду! Ако нисте сигурни у вези инсталација конвектора у просторији за купатило, препоручујемо да консултујете професионалног електричара.

Напомена: Ако не могу бити задовољени горе наведени услови, препоручује се да се инсталација одржати у простору 3 (VOLUME 3).

- У влажним просторијама (купатила и кухиње) извор напајања мора да се монтира на висини од најмање 25 цм од пода.
- Инсталација мора бити опремљена аутоматским осигурачем, при њему растојање између контаката када је искључен бити најмање 3 мм.

УПУТСТВО ЗА УПОРАБУ

ЕЛЕКТРОНСКО УПРАВЉАЊЕ

Режими рада

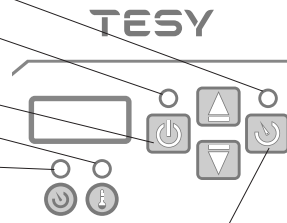
LED Режим за "Одложени старт"/ Режим „Програм“

LED за режим "Загревање" / Укључен грејач


Дугме ON/OFF

LED за температуру

LED за време



Дугме "Тајмер" за укључивање режима "Одложени старт" или режима "Програм"

Укључите конвектор, притисните прекидач у положај "I" (Укључено) .

Подешавање сата

Подешавање сата је могуће само у искљученом режиму - поставља се тренутни дан у недељи, сат и минуте.

Улазак у подешавању сата се врши истовременим дугим притиском на дугмета "ON/OFF" и "Timer". Параметар који се подешава пулсира на екрану. Одабир параметра подешавања врши се кратким притиском на дугме "Timer". Излазак из подешавања

врши се трећим кратким притиском на дугме „Timer“ (након подешавања минута).

Подешавање почиње са даном од недеље од 1 до 7 у зависности од тога који је тренутни дан у недељи и подешава се одговарајућим бројем. Сати и минуте се истовремено приказују на екрану, а пулсира само параметар подешавања. Вредност параметра се мења с тиккама ▲ и ▼.

Ако не притиснете било које дугме до 10 секунди, се искључује из подешавања.

Укључивање режима “Загревање”

Када је панелни конвектор искључен, на дигиталном дисплеју се мора показивати собна температура и да свети само “LED за температуру”. Једнократним притиском на дугме “On/Off” прелази у режим “Загревање”. Тада се укључује црвена светлосна диода која приказује овај начин рада. За око 2 секунде на дигиталном дисплеју се приказује подешена температура и за то време “LED за температуру” не светли. Ако је собна температура нижа од подешене температуре, грејач се аутоматски укључује.

Када је грејач укључен, црвена светлосна диода стално светли!

Подешавање температуре

Притиском на неке од дугмета ▲ или ▼ се прелази у режим “Промена подешене температуре”. Екран почиње да трепери и на њему се приказује подешена до тог тренутка температура. Следећим притисцима на дугмета се мења задатак у жељеном правцу. Ако у року од 5 секунди није притиснуто ниједно ново дугме, нови задатак се меморише и аутоматски се пребацује на режим рада “Загревање”. Ако неко од дугмета ▲ или ▼ се задржи више од 0,7 секунди, вредност подешене температуре почиње се аутоматски повећавати или опадати са брзином 4 јединице у секунди. Границе регулисања подешене температуре се крећу од 10 до 30 степени.

„Одложени старт“ укључивања панелног конвектора.

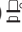
Када је конвектор у режиму “Искључено”, притиском на дугме „Тајмер” може се унети време, а затим да се аутоматски пребаци на режим „Загревање”. Овај режим се приказује са трептећом жутом светлодиодом и угаснулом црвеном светлодиодом. На дигиталном екрану ће се замењати читавање температуре околине када светли “LED за температуру” и преостало време у сатима до укључења „Загревање” када светли „LED за време”. Одмах након укључивања овог режима, жута светлодиода светли, а екран почиње да трепери и приказује време унето у сатима док се конвектор не укључи. На почетку се напаја 12 сати и притиском на дугме ▲ или ▼ време се промњује

у жељеном правцу. Ако неко од дугмета ▲ или ▼ се задржи више од 0,7 секунди, вредност времена почиње се аутоматски повећавати или опадати са брзином 4 јединице у секунди. Ако у року од 5 секунди се не притисне ниједно ново дугме или ако се притисне дугме „Тајмер”, контролер прелази на вршење режима „Одложени старт”. Ако се унесе време 00, режим се не извршава. Ако се већ извршава режим „Одложени старт” и поново се притисне дугме „Тајмер”, преостало време може бити кориговано у оба могућа правца. Након подешавања времена, се пребацује на режим „Одложени старт”, а на екрану осим температуре се приказују преостали сати до преласка на режим „Загревање”. Из овог начина рада може се изаћи притиском на дугме “On/Off”. Конвектор ће се затим пребацити на режим рада „Загревање”. „Одложени старт” може се подешавати од 01 до 96 сати.

Искључивање режима „Загревање”

Из режима “Загревање” се може изаћи притиском на дугме “On/Off”. Грејач ће се онда искључивати, ако је био укључен пре тога, црвена светлодиода се искључује. Екран наставља да приказује собну температуру.

Функција „Против замрзавања”

Ако температура у просторији падне испод 5 степени и конвектор је искључен (не светли црвена светлодиода, али је механички кључ постављен на положај “I” (Укључено) ) , грејач ће се аутоматски укључити како би се спречило замрзавање.



Подешавање температурне корекције температурног сензора се не односи на ову функцију.


Активирање и деактивирање ове функције:

- функција се укључена по подразумеваним фабричким подешавањима;
- ако желите искључити ову функцију – конвектор је у режиму „Искључено” притиском на дугме ▲ и дугме “On/Off” за три секунди – екран почиње да трепери „ON”, и када притиснете дугме ▼ , стићи ћете на позицију „OFF”, сачекајте 3 секунде и функција ће се аутоматски пребацити на режим „OFF”.
- ако желите поново да укључите ову функцију – конвектор је у режиму „Искључено”, притиском на дугме ▲ и дугме “On/Off” за три секунди – екран почиње да трепери „ON”, и када притиснете дугме ▼ стићи ћете на позицију „ON”, сачекајте 3 секунде и функција ће се аутоматски пребацити на режим „ON”.

Функција температурна корекција сензора





Због специфичности профила температуре у различитим просторијама може се доћи до разлике у температури која се приказује на екрану и оне која се стварно мери на различитим локацијама грејаћег уређаја у соби.



- Погледајте температуру која се приказује на екрану уређаја;
- Измерите температуру на месту где је температура довољно „удобна“ за вас (обично на висини од око 60 цм од пода, у седећем положају). Ако постоји разлика у распону од $\pm 4^{\circ}\text{C}$, можете прилагодити потребну корекцију у менију конвектора. (Важан услов - функција се може подешавати само након темперирања простора - у зависности од врсте простора минимално време је 7 сати) са разликом добијеном између читавања конвектора и измерене температуре.


 **Напомена:** Ова функција се користи за бољи температурни комфор и уштеду енергије за корисника електричног конвектора у просторији у којој се налази. Већа разлика од $\pm 4^{\circ}\text{C}$ измерене температуре на жељеном месту у просторији значи да соба у којој користите конвектор није добро изолована или није добро темперирана.

Пример: конвектор који се налази изнад каменог пода - читање конвектора 18°C (при подешеној на 22°C), измерена реална температура (осећај постигнуте удобне температуре) 22°C на висини од пода 60 цм -> у овом случају конвектор поставља презагревање (ово је директан губитак енергије, али конвектор не може досећи подразумевану температуру јер мери температуру ниско доле до пода) и никада се неће искључити. Потребно је подесити корекцију температуре $+4^{\circ}\text{C}$ сензора – у овом случају конвектор ће показати 22°C и ће почети се искључивати – задржавајући подразумевану температуру 22°C





Нормално стање функције је 0°C према фабричком подешавању

- ако желите променити вредност – конвектор је у режиму „Искључено“, притиском на дугме  и дугме **“On/Off”** за три секунди – екран почиње да трепери, 0°C . Може се притиснути дугме  или дугме , да би се достигнуо опсег „ -4°C “ до „ 4°C “, сачекајте 3 секунде и функција ће бити аутоматски сачувана.
- Када желите да проверите каква корекција је подешена - конвектор је у режиму „Искључен“, притиском на дугме  и дугме **“On/Off”** за три секунди – на екрану почиње трепетити подешена

температура. Можете притиснути дугме  или дугме , дати нову вредност у опсегу „ -4°C “ до „ 4°C “.

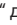
 **Напомена:** Након функције за фабричко нулирање – мора се поново заботи корекција температуре, фабричка вредност је 0°C .


Прилагођив старт

- Прилагодљива почетна контрола значи функција која предвиђа и покреће оптимални почетак загревања како би досегла задана температура у жељеном времену.
- функција је укључена према фабричким подешавањима;
- ако желите променити вредност – конвектор је у режиму „Искључено“, притиском на дугме  и дугме **“Timer”** за три секунди – на екрану почиње трепетити „A_On“, морате притиснути , како бисте постигли „AOff“, сачекајте 3 секунде и функција ће бити аутоматски сачувана.
- Да се поново вратите у стање „ON“ конвектор је у режиму „Искључено“, притиском на дугме  и дугме **“Timer”** за три секунди – на екрану почиње трепетити „AOff“, морате притиснути , како бисте постигли „A_On“, сачекајте 3 секунде и функција ће бити аутоматски сачувана.

Ова функција се прилагођује вашим потребама. Уређај ради на подешеној температури „комфора“ док не достигне стабилну температуру од 17 сати - температура је референтна комфорна температура. Треба да се подеси и период са нижим температурама од најмање 7 сати од оне које је подешена за удобност са разликом од $4^{\circ}\text{C} \pm 1^{\circ}\text{C}$. Са активираним подесивом контролом - оставите електронски термостат да ради 4 циклуса (4 x 24 сата) за циклусе комфора (17 сати) и смањену температуру (7 сати). Након краја последњег периода смањења, температура удобности мора бити постигнута у року од ± 30 минута одступања од постављеног времена - са максималном разликом од $\pm 1^{\circ}\text{C}$ од референтне температуре комфора.

“Заштита од деце”

Дугмета можете закључати истовременим продуженим притиском на стрелице  и „Тајмер“ да бисте спречили промену поставки. Поновите исту акцију да бисте откључали дугмета.

 **Напомена:** Када је тастатура закључана и притиснете било које дугме, екран мора приказати наслов „LOC_“.

Подешавања у „Недељни програмер 24/7”



Улазак у режим подешавања „Недељни програмер” је могуће само ако на вашем уређају су подешени сат и дан у недељи.

Улазак у режим подешавања и излазак из њега, врши се дугим притиском на дугме „Timer”.

Параметри подешавања су три – дан у недељи, сат и подешена температура, а пребацивање на ова три параметра врши се кратким притиском на дугме „Timer” у редоследу дана, времена и температуре. Снимање се врши кратким притиском на дугме „Timer”, након постављања последњег параметра - температуре.

Промена вредности сваког параметра се врши помоћу дугмади ▲ и ▼.

Услови при снимању

- Након снимања у тачки, више се не може мењати све до изласка из тренутне поставке.
- Приликом снимања прве реперне тачке одређеног дана у тренутном подешавању, све дневне тачке се бришу унапријед.
- Снимање следећих тачака на одређеном дану је могуће само у сатима до краја дана након последње забиљежене тачке.
- Приликом снимања у последњем сату дана - 23.5h, у овом дану није могуће унети друга снимања у тренутном подешавању, а на екрану се приказује наслов FUL и број дана.
- Ако у одређеном дану се не врши никакво снимање у тренутном подешавању, то у њему се сачувају постојећа до тренутног подешавања снимања.

Сврха поставки је снимање три параметра у такозваним реперним тачкама (SET POINTS), и подешена температура у свакој реперној тачки се извршава до следеће такве.

Пример: Ако у одређеном дану сте извршили снимање у 7 сати са температуром 22°C, и желите она да остане иста до 19 сати (тада планирате да постане 23°C), не морате запамтити један по један до 19 сати за сваки сат, а ви морате само спасити температуру 22°C у 7 сати и температуру 23°C у 19 сати. По подразумевању у том периоду (7-19 сати) времена, температура ће бити 22°C.

Механизам записа сваке тачке је следећи:

Након уласка у подешавања, ће бити приказан на екрану dAY1, а број трепће, што значи да је ово параметар подешавања (у овом случају, дан у недељи).

- Дугмадима ▲ и ▼ се одабере жељени дан
- Кратким притиском на дугме „Timer” се прелази на подешавање сата;
- Дугмадима ▲ и ▼ се одабере жељени сат (кораком 0,5h) на тачки;
- Кратким притиском на дугме „Timer” се прелази на подешавање задатка температуре;
- Дугмадима ▲ и ▼ се избира желаната температура. Вљможните температури са от 10 до 30°C и искључено сљостояние OFF.
- С кратко натискане на бутон „Timer” се извршава запис на тачка и се преминава кљм настройка на следващата тачка (на екрана отновое е изписано dAYX) и се преминава кљм параграф а/ за следващата тачка.
- При запис в последния час от деня – 23.5h, в този ден повече записи не могат да се правят в текущата настройка и на екрана се изписва надписа FUL_ и номера на деня.



ПАЖЊА: Тачке у одређеном дану могу се снимати само узастопним редоследом сати.



Инфо: Пре извршавања параграфа f), оператор може се враћати уназад до параграфа а) због корекције три параметра тачке кратким притиском на дугме ON/OFF без обављања снимања у меморији.

Додатно означавање тачака у одређеном дану могу се извршити произвољно након снимања тачака у другим данима, али само поштујући правила редоследа пораста сати у дану.

Излазак из подешавања врши се кратким притиском на дугме „Timer” или сачекивање 30 секунди.

Након изласка из поставки, могуће је прегледање снимљених тачака помоћу тастера ▲ и ▼, ако је уређај у програмском режиму.



Напомена: Након укључивања, уређај се пребацује на режим (грејање или програмирање) у којем је последњи пут радио.



Напомена: Пребацивање на режим (грејање или програмирање) је кратким притиском на дугме „Timer” када је у укљученом стању.

Функција „Нулирање“ до фабричких подешавања

Када је конвектор у начину рада „Искључен“, истовремено се притисне дугме ▲ и дугме ▼ за шест секунди – затим на заслону почиње трептати „— — — —“ и да се крећу симболи. Када се „Нулира“ ћете видети на заслону измерену вредност температуре околине.

Након употребе функције нулирање, морате поново задати следеће функције:

- постављање сата;
- подесите вредност корекције температуре (ако је то вам потребно);
- деактивирање функције „Против замрзавања“ (ако је то вам потребно);
- деактивирајте прилагодљив старт (ако је то вам потребно);
- недељни програм - 24/7

Ако се електрични конвектор искључује из електричне мреже, то неће променити подешену температуру и режим рада, који је остао пре његовог искључивања. Ако на пример је био у режиму „Загревање“, при искључивању уређаја и након његовог укључивања, поново ће бити у овом рејиму са истом подешеном температуром.



Принцип који је постављен на електричном конвектору са енергонезависном меморијом, је да памти подешавања до 90 минута без гаранције од 150 минута.

Када је температура нижа од оне коју сте подесили помоћу електронског термостата, конвектор ће почети своји рад и радиће до тренутка када собна температура не достигне задану вредност. Када је собна температура већа од подесене вредности помоћу електронског термостата, конвектор ће се аутоматски пребацити на режим „Спремност за укључивање“.

Приказивана информација на екрану

Приказивања индикације ако нисмо у подешавању:

- a. У режиму искључено – доследно приказивање:
 - сата (сат и минути);
 - измерена собна температура
- b. У режиму грејање – приказује измерену собну температуру.

c. У режиму програмском - доследно приказивање:

- Дана у недељи доња црта и измерене собне температуре. б_22;
 - Дана у недељи доња црта и пулсирајуће задане температуре у програму (задатак уа текући сат), која такође може бити симбол OFF. б_23
- d. При укључивању напајања конвектора, на заслону ће се приказати:
 - цртице „----“, ако при искључивању напајања он је био у стању искључен.
 - цртице „----“, које се након 2 секунде замењују приказом тренутне температуре, ако при искључивању напајања он је био у стању укључен
 - e. Два броја (01 ÷ 96) у комбинацији са треперењем жуте светодиоде приказујући преостало време у сатима до одложеног старта, ако при искључивању напајања, конвектор је био у режиму „Одложени старт“.
 - f. За додатну уштеду енергије електронски терморегулатор смањује интензитет светлости свих индикатора. Када притиснете било које дугме, осветљеност се повећава за 8 секунди, а затим поново опада.
 - g. Ако се приказује на екрану „t0“ или „t1“ значи да је систем за самодиагностику утврдио проблем у термосензору. „t0“ је при прекинутом каблу сензора, а „t1“ при сензору кратким спојем. У том случају, електрични конвектор је искључен и може се поново покренути након уклањања грешке. Грешку мора уклонити квалификовани стручњак.
 - h. При укључивању напајања до 2 секунде, на екрану ће се појавити цртице „----“ уместо температуре или времена.
 - i. Када се на дигиталном екрану приказује температура, светли „LED за температуру“, а када се приказује време до одложеног старта, светли „LED за време“.

ЗАШТИТА

- Уређај је опремљен сигурносним термопрекидачем који аутоматски искључује грејач у случајевима пораста температуре у конвектору изнад дозвољених вредности / такозвано прегревање/.
- Сигурносни термопрекидач аутоматски обнавља рад конвектора само када температура уређаја падне испод дозвољених вредности.

ЧИШЋЕЊЕ

- Обавезно прво искључите уређај из задње утичнице. Пре чишћења конвектора, оставите га да се охлади искључивши га из контакта.
- Конвектор се може очистити минималним напором на његовом задњем делу - само притисните „P“ - обличне носаче /слика 2/ на леђима уређаја, на тај начин можете ослободити га а затим да очистите његови задњи део.
- Очистите корпус са влажном крпом, усисивачем или четком.
- Никада немојте потапати апарат у воду – постоји опасност по живота од струјног удара!
- Никада немојте користити бензин, разређивач или груба абразивна средства за чишћење, јер ће она оштетити површину апарата.

СКЛАДИШТЕЊЕ

- Пре складиштење конвектора, оставите га да се охлади искључивши га из контакта.
- Користите оригинално паковање за складиштење конвектора, ако исти неће бити коришћен за неко време. Овај уређај је заштићен од прекомерне прашине и прљавштине, ако се враћа у свом оригиналном паковању.
- Никада не враћајте топли апарат у свом паковању!
- Овај уређај треба се чувати на сувом и заштићеном од директне сунчеве светлости месту.
- Изричито се забрањује његово складиштење у влажним или мокрим собама.

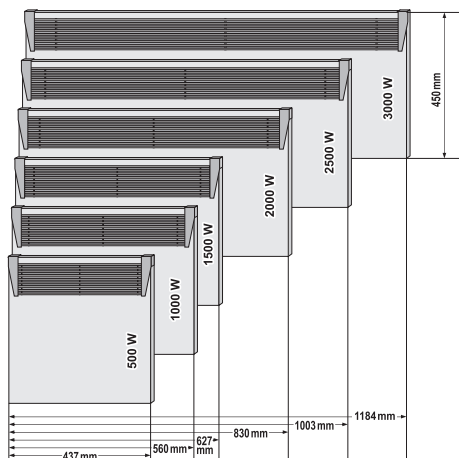
СЕРВИСНО ОДРЖАВАЊЕ УРЕЂАЈА

- У случају квара уређаја, контактирајте најближег овлашћеног сервисног центра. / указано у гарантном листу производа ./
- **Важно:** У случају тужбе и/или кршења Ваших права као корисник, молим обратите се добављачу овог апарата на наведеним адресама или преко сајта компаније: www.tesy.com

ДИМЕНЗИЈЕ УРЕЂАЈА, ЗАГРЕЈАНИ ОБИМ И ПОВРШИНА У ПРОСТОРИЈИ

Модел	Отопљем обем	Отопљема площ
CN 03 050 EIS W - 500W	10* - 15 m ³	4* - 6 m ²
CN 03 100 EIS W - 1000W	20* - 30 m ³	8* - 12 m ²
CN 03 150 EIS W - 1500W	30* - 45 m ³	12* - 18 m ²
CN 03 200 EIS W - 2000W	40* - 60 m ³	16* - 24 m ²
CN 03 250 EIS W - 2500W	50* - 70 m ³	20* - 28 m ²
CN 03 300 EIS W - 3000W	60* - 80 m ³	24* - 32 m ²

* Минимални загарантовани грејани обим (површина) за грејање уз просечан коефицијент топлотне проводљивости $\lambda=0.5 \text{ W}/(\text{m}^2\text{K})$ за загрејану просторију. Више вредности за грејани обим (површина) се постиже при просечној вредности $\lambda=0.35 \text{ W}/(\text{m}^2\text{K})$. Стандардна висина просторије - 2,5 метара.



Упозорење: Да би се избегло прегревање, не покривајте уређај!



Упуте за заштиту природне околине

Стари електрични уређаји садрже вредне материјале и стога не би требало их одлагати с комуналним смећем! Молим Вас да сарађујете са својим активним доприносом за заштиту природне околине и пренети уређај организованим центрима за куповање (ако такви постоје).

! Pročitajte ove upute prije korištenja ovog uređaja i držati ove upute za buduću uporabu. Pri promjenjivlasnika, upute moraju se prenositi zajedno s aparatom.

Zahvaljujemo da ste odabirali konvektor CN03. Ovo je uređaj koji nudi grijanje u zimi koliko je potrebno kako bi se postigla udobna toplina u zagrijanoj prostoriji. Uz pravilnu uporabu i njegu kao što je opisano u ovim uputama, uređaj će pružiti mnogo godina korisnog rada.

VAŽNE MJERE OPREZA SIGURNOSNE UPUTE:

! *Djeca koja su manja od tri godine, moraju se držati na udaljenosti, osim ako nisu pod stalnim nadzorom.*

Djeca u dobi od tri godine do osam godina mogu koristiti samo dugme uklj. / Isklj. jedinice, pod uvjetom da je uređaj instaliran i spreman za normalan rad i ona su bila pod praćenjem i su upućena na njegovu uporabu na siguran način i razumiju da to može biti opasno. Djeca u dobi od tri godine do 8 godina ne bi trebala uključivati uređaj u utičnicu, da ga postavljaju da ga očiste ili da izvode korisničko održavanje.

Ovaj uređaj se može koristiti od strane djece u dobi nad osam godina i od strane osoba sa smanjenim fizičkim, osjetilnim ili mentalnim sposobnostima, ili sa nedostatkom iskustva i znanja, osim ako su one pod nadzorom ili upućene u sigurno korištenje aparata i razumiju opasnosti. Djeca ne bi trebalo se igrati s aparatom. Čišćenje i korisničko održavanje ne treba biti učinjeno od strane djece bez nadzora.

! *Neki dijelovi ovog uređaja mogu postati vrlo vrući i uzrokovati opekline. Tamo gdje su prisutna djeca i ranjivi ljudi se treba posvetiti posebna pozornost.*

- Prije uključivanja uređaja - provjerite je li napon struje na tipskoj pločici odgovara naponu, koji se dostavlja u Vašem domu.
- Ovaj uređaj mora biti korišten samo na svrhu za koju je namijenjen, odnosno za zagrijavanje domaćih prostora. Uređaj nije namijenjen za trgovačke svrhe. Svako drugo korištenje može se smatrati nepravilnim i stoga opasnim. Proizvođač ne može biti odgovoran za štete nastale nepravilnim i nerazumnim upotrebama. Nepridržavanje sigurnosne informacije će izgubiti jamstvo aparata!
- Ne izlazite iz kuće dok je uređaj uključen: provjerite da je uređaj u položaju isključen. Uvijek uklanjajte utikač aparata iz utičnice (odnosi se na konvektore s mehaničkom kontrolom).
- Držite zapaljive predmete kao što su namještaj, jastuci, posteljina, papir, odjeća, zavjese, itd. na udaljenosti od najmanje 100 cm od električnog kamina.
- Ne koristite uređaj u područjima gdje se koriste ili drže zapaljivi materijali. Ne koristite uređaj u područjima sa zapaljivom atmosferom (npr. u blizini zapaljivih plinova ili aerosola) - postoji velika opasnost od eksplozije i požara!
- Nemojte umetati ili dopustiti strani predmeti da popadaju u ventilacijske otvore (dolazni ili odlazni), jer će to uzrokovati strujni udar, požar ili oštećenja u konvektoru.
- Uređaj nije prikladan za gajenje životinja, a isti je namijenjen samo za kućnu uporabu!
- Nemojte pokrivati zaštitne rešetke, ne blokirajte ulazak ili izlazak protoka zraka postavljanjem jedinice protiv neke površine. Svi predmeti moraju biti najmanje 1 metar od jedinice prednje i bočno.
- Najčešći uzrok pregrijavanja je akumulacija vlakna i prašine u uređaju. Redovno usisivajte ventilacijske otvori, kao što je prethodno potrebno isključili aparat. Držite električni kamin čist.

- Nikad ne dirajte uređaj mokrim ili vlažnim rukama – postoji opasnost po život!
- Utičnica mora biti dostupna u bilo kojem trenutku, da bi moglo da se utikač oslobodi što je prije moguće! Nikad ne povlačite kabel za napajanje ili sam aparat kad želite da isključite uređaj iz napajanja.
- Obratite pažnju! Izlazni zrak se zagrijava za vrijeme rada (do više od 100°C).
- Ako je kabel oštećen, prestanite koristiti ga i obratite se dobavljaču / prodavaču za dodatne upute.
- Ako odlučite prestati koristiti uređaj ovog tipa, preporuča se da ga uradite neupotrebljivim, izrezavši kabel nakon isključivanja iz mreže. Potrebno je osigurati uređaj (posebice za djecu), koja bi mogla koristiti amortizirani uređaj (aparat) za igru.
- Aparati ne bi trebao biti smješten točno ispod kutije utičnice!
- Oprez: Ne koristite ovaj uređaj s programerom, timerom ili drugim uređajima koji ga automatski uključuju, jer ako je aparat prekriveni ili pogrešno postavljen postoji opasnost od požara.
- Postavite mrežni kabel tako da ne ometa kretanje ljudi i da se na njega ne hoda! Koristite samo odobrenu produžne kabele koje su prikladni za uređaj, tj. da imaju znak sukladnosti!
- Nikad nemojte pomicati aparat povlačenjem na kabelu i ne koristite kabel za nošenje predmeta!
- Nemojte savijati kabel i nemojte ga povucite preko oštrih rubova i nemojte ga staviti na vruće ploče ili na otvoreni plamen!

PAKOVANJE

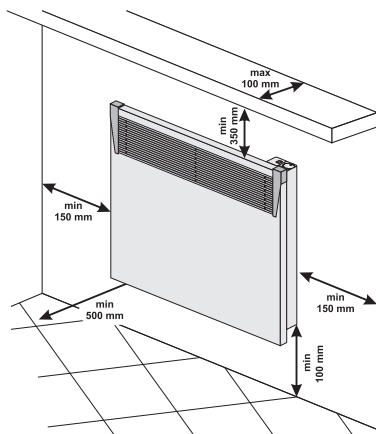
- Nakon raspakiranja uređaja, provjerite je li tokom prijevoza nije umanjen ili potpuno opremljeni! U slučaju da se utvrdi oštećene ili nepotpuna isporuka, obratite se ovlaštenom prodavaču!
- Nemojte odbaciti originalnu kutiju! Ona bi moglo se koristiti za skladištenje i transport kako bi se izbjeglo oštećenje od prijevoza!
- Odbacivanje materijala za pakiranje mora biti na odgovarajući način! Djeca bi trebala da su pod nadzorom da se ne igraju s plastičnim vrećicama!

UPUTE ZA MONTAŽU

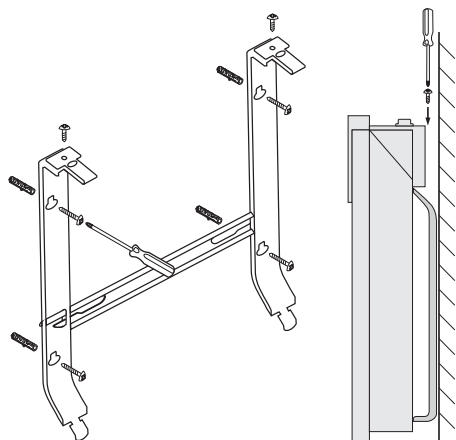
- Ovaj konvektor je namijenjen za primjenu u zatvorenim prostorima, montiran na zidu.

Važno: Za prostore sa obimom iznad 45 m³ preporuča se koristiti kombinacija od 2 ili više konvektora

- Nemojte postavljati konvektor ispod zidne utičnice ili priključne kutije.
- Ne instalirajte / koristite konvektor
 1. na mjestu gdje postoji potisak, tako da se ne utiče na kontrolne postavke;
 2. neposredno ispod električne utičnice;
 3. u prostoriji 1 (volume 1) za kupatila;
 4. u prostoriji 2 (volume 2), ako kontrolna ploča se može dostignuti od strane nekoga tko je pod tušem ili u kadi;
- Za ugradnju konvektora u zidu treba se koristiti samo zidni nosači isporučeni zajedno s konvektorom. Tijekom instalacije konvektora moraju biti usklađene minimalne udaljenosti od jedinice



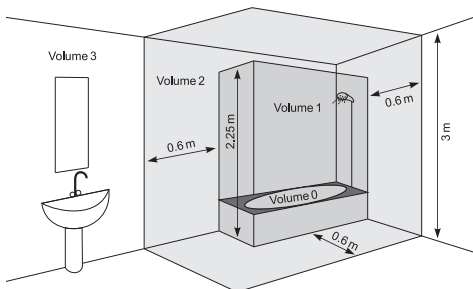
- Prvo, uklonite zidne nosače sa stražnjeg korpusa. Odvijte dva vijka, koji se nalaze na gornjem djelu dviju vertikalnih traka na zidnim nosačima. Potom povucite gornji dio trake jakim pritiskom na dvije gornje dijelove uvučeni u stražnjem korpusu.



- Povucite prema dolje zidni nosač kako biste ga uklonili iz stražnjeg korpusa.
- Pričvrstite čvrsto na zid zidni nosač kroz napravljene četiri dupke za vijke.
- Podignite konvektor gotovo do okomitog položaja i umetnite dvije donje izdate dijelove zidnih nosača u dva donja proreza u stražnjem poklopcu konvektora. Zatim podignite konvektor i umetnite dvije gornje izdate dijelove zidnih nosača u dva gornja proreza u stražnjem poklopcu konvektora. Konačno vratite natrag na njihovo mjesto i zategnite dva vijka, da biste pričvrstili čvrsto konvektor na zid.

KORIŠTENJE U KUPATILU

- Konvektor mora biti instaliran u skladu s uobičajenom komercijalnom praksom i u skladu sa zakonima relevantne zemlje (Direktive za električnu struju EK i zahtjevi za posebne instalacije ili prostore koji uključuju kupatila ili tuševe HD60364-7-701 (IEC 60364-7-701: 2006)).



- Ako ovaj konvektor će se koristiti u kupaonici ili u drugim sličnim prostorima moraju biti ispunjeni sljedeći zahtjevi za instalaciju: konvektor je sa zaštitom IP24 (zaštita od prskanja vode). Zbog ove činjenice se mora ugraditi u prostoru 2 (volume2) (vidi sliku

dolje) kako bi se izbjegla mogućnost ova upravljačka ploča (prekidač i termostat) konvektora da se može dostignu od strane čovjeka koji je pod tušem ili u kadi. Minimalna udaljenost od aparata do izvora vode ne smije biti manji od 1 metra, a uređaj mora biti obavezno montiran na zidu! Ako niste sigurni o instaliranju ovog konvektora u prostoru za kupaonicu, mi preporučujemo da se konzultirate stručnu osobu.

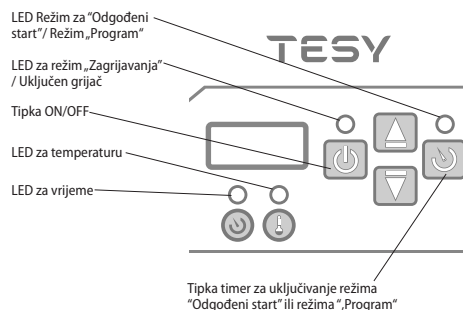
Napomena: Ako se ne mogu zadovoljiti gore navedeni uvjeti, preporuča se instalacija da bude izvedena u prostoru 3 (Volume 3).

- U vlažnim prostorijama (kupaonice i kuhinje) izvor energije mora biti montiran na visini od najmanje 25 cm od poda.
- Instalacija mora biti opremljena automatskim osiguračem pri čemu udaljenost između kontakata kada je isključen, mora biti najmanje 3 mm.

UPUTE ZA UPORABU

ELEKTRONSKO UPRAVLJANJE

Režimi rada



Uključite konvektor, pritisnite prekidač na položaj "I" (Uključeno)

Postavljanje sata

Postavka sata moguće je isključivo u isključenom načinu rada – postavlja se trenutačni dan u tjednu, sat i minuti.

Ulazak u postavkama sata se vrši istodobnim dugim pritiskom na tipke "ON/OFF" i "Timer". Parametar koji se podešava, pulsira na zaslonu. Odabir parametra podešavanja se vrši kratkim pritiskom na tipku "Timer". Izlazak iz podešavanja obavlja se trećim kratkim pritiskom na tipku "Timer" (nakon podešavanja minuta).

Postavka počinje s danom od 1 do 7 u tjednu ovisno o tome koji je trenutni dan u tjednu i postavlja se odgovarajućem brojem. Sati i minute prikazuju se istodobno na zaslonu, a pulsira samo parametar za postavljanje. Vrijednost parametra se mijenja pomoću tipki ▲ i ▼.

Ako ne pritisnete nijedno dugme do 10 sekundi, se isključuje iz postavke.

Uključivanje režima „Zagrijavanje“

Kada je panelni konvektor isključen, na digitalnom zaslonu se mora izvijesti temperatura prostorije i svijetliti „LED za temperaturu“. Jednokratnim pritiskom na tipku „On/Off“ se prebacuje na režim „Zagrijavanje“. Tada se uključuje crvena svjetlodioda, koja prikazuje ovaj način rada. Za otprilike 2 sekunde, na digitalnom zaslonu se prikazuje podešena temperatura, a za to vrijeme, „LED za temperaturu“ ne svijetli. Ako je sobna temperatura manja od zadane temperature, grijač se automatski uključuje.

Kada je grijač uključen, crveni svjetlodiod svijetli stalno!

Postavljanje temperature

Pritiskom neke od tipki ▲ ili ▼ se prebacuje na režim „Promjena postavljene temperature“. Zaslon počinje treptjeti i na njemu se prikazuje trenutna temperatura. Sljedećim pritiscima na dugme se mijenja zadatak u željenom smjeru. Ako je unutar 5 sekundi nije pritisnut nijedna nova tipka, novi zadatak se zapamćuje i automatski se prebacuje u način rada „Zagrijavanje“. Ako se neke od tipki ▲ ili ▼ zadrži više od 0.7 sekundi, zadana vrijednost temperature počinje automatski povećavati ili smanjivati na 4 jedinice u sekundi. Granice reguliranja zadane kreću se od 10 do 30 stupnjeva.


„Odgodeni start“ uključivanja panelnog konvektora.

Kada je konvektor u načinu rada „Isključeno“, pritiskom na tipku „Timer“ se može unijeti vrijeme, a zatim da se automatski prebaci u način rada „Zagrijavanje“. Ovaj način rada se prikazuje sa žutom treptjećom svjetlodiodom i ugasnulom crvenom svjetlodiodom. Na digitalnom zaslonu će se zamijeniti očitavanja temperature okoline kada svijetli „LED za temperaturu“ i preostalo vrijeme u satima dok uključivanja „Zagrijavanje“ kada svijetli „LED za vrijeme“. Odmah nakon uključenja ovog režima, žuta svjetlodioda zasvjetljuje, a zaslon počinje treptjeti i prikazuje uneseno vrijeme u satima do uključivanja konvektora. U početku se napaja 12 sati i pritiskom na tipku ▲ ili ▼, vrijeme se mijenja u željenom smjeru. Ako neke od tipki ▲ ili ▼ se zadrži više od 0.7, vrijednost vremena počinje automatski povećavati ili smanjivati na 4 jedinice u sekundi. Ako se unutar 5 sekundi ne pritisne nijedna nova tipka ili se pritisne tipka „Timer“, regulator prebacuje na provođenje „Odgodeni start“. Ako se unese vrijeme 00, način rada se ne izvršava. Ako se već izvršava način rada „Odgodeni start“ i se ponovno pritisne tipka „Timer“, preostalo vrijeme se može korigirati u oba moguća smjera. Nakon podešavanja vremena, prebacuje se na način „Odgodeni start“, a na zaslonu osim temperature se prikazuju preostali satovi do prelaska na režim „Zagrijavanje“. Iz ovog načina rada se može izaći pritiskom na tipku „On/Off“. Konvektor će se tada prebaciti u način rada „Zagrijavanje“. „Odgodeni start“ se može podešavati od 01 do 96 sati.

Isključivanje režima „Zagrijavanje“

Iz režima „Zagrijavanje“ se može izaći pritiskom na tipku „On/Off“. Konvektor će se tada isključivati, ako je isti bio uključen prije toga, isključuje se crvena svjetlodioda. Na zaslonu se nastavlja prikazivati sobna temperatura.

Funkcija „Protiv smrzavanja“

Ako temperatura prostorije padne ispod 5 stupnjeva i konvektor je isključen (ne svijetli crvena svjetlodioda, ali uključeni mehanički ključ je podešen na poziciju „I“ (Uključeno) ) , grijač će se automatski uključiti kako bi spriječio smrzavanje.



Postavljanje temperaturne korekcije temperaturnog senzora ne odnosi se na ovu funkciju.

Aktiviranje i deaktiviranje ove funkcije:

- funkcija je uključena prema zadanim tvorničkim postavkama;
- ako želite isključiti ovu funkciju – konvektor je u režimu „Isključeno“, pritiskom na tipku ▲ i tipku „On/Off“ za tri sekundi – na zaslonu počinje treptjeti „ON“, a kad pritisnete tipku ▼, ćete dostignuti poziciju „OFF“, sačekajte 3 sekunde i funkcija će se automatski prebaciti na režim „OFF“;
- ako želite ponovno uključiti ovu funkciju – konvektor je u režimu „Isključeno“, pritiskom na tipku ▲ i tipku „On/Off“ za tri sekundi – na zaslonu počinje treptjeti „OFF“, a kad pritisnete tipku ▼, ćete dostignuti poziciju „ON“, sačekajte 3 sekundi i funkcija će se automatski prebaciti na režim „ON“.

Funkcija temperaturna korekcija senzora

Zbog specifičnosti temperaturnog profila u različitim prostorijama, može da postoji razlika od temperature prikazane na zaslonu i zapravo izmjerena na različitim mjestima grijača u sobi.







- Pogledajte temperaturu prikazanu na zaslonu uređaja;
- Izmjerite temperaturu u mjestu gdje je temperatura dovoljno „udobna“ za vas (obično na visini od oko 60 cm od poda, u sjedećem položaju). Ako postoji razlika u rasponu od $\pm 4^{\circ}\text{C}$, možete podesiti potrebnu prilagodbu u izborniku konvektora. (Važan uvjet - funkcija se može prilagoditi samo nakon temperiranja grijane prostorije - prema vrsti prostora minimalno potrebno vrijeme je 7 sati) s dobivenom razlikom između očitavanja konvektora i izmjerene temperature.




Napomena: Ova se funkcija koristi za bolji temperaturni komfor i uštedu energije za korisnika električnog konvektora u prostoriji u kojoj se nalazi. Veća razlika od $\pm 4^{\circ}\text{C}$ izmjerene temperature na željenom mjestu u sobi znači da prostor u kojem koristite konvektor nije dobro izoliran ili nije dobro temperiran.



Primjer: konvektor smješten iznad kamenog poda - očitavanje konvektora od 18°C (pri postavljenoj na 22°C), izmjerena realna temperatura (osjećaj dostignute udobne temperature) 22°C na visini od poda 60 sm - > u tom slučaju konvektor nastavlja prezagrijavanje prostorije (to je izravni gubitak energije, ali konvektor ne može dosegnuti zadanu temperaturu pošto mjeri temperaturu nisko dole do poda) i nikada se neće isključiti. Potrebno je podesiti isprvak temperature +4°C senzora – u ovom slučaju konvektor će pokazati 22°C i početi će se zaustaviti – održavajući zadanu temperaturu 22°C)

Normalno stanje funkcije je 0°C prema zadanim tvorničkim postavkama

- ako želite promijeniti vrijednost – konvektor je u načinu rada „Isključen“, pritiskom na tipku  i tipku „On/Off“ za tri sekundi – na zaslonu počinje treptjeti „0°C“. Može se pritisnuti tipku  ili tipku , da bi se dostignuo raspon „-4°C“ do „4°C“, sačekajte 3 sekundi i funkcija će se automatski sačuvati.
- Kada želite provjeriti, kakva korekcija je prilagođena - konvektor je u načinu rada „Isključen“, pritiskom na tipku  i tipku „On/Off“ za tri sekundi - na zaslonu počinje treptjeti postavljena temperatura. Možete pritisnuti tipku  ili tipku , dati novu vrijednost u rasponu „-4°C“ do „4°C“.

 **Napomena:** Nakon funkcije za tvorničko nuliranje - treba ponovno da postavite korekciju temperature, tvornička vrijednost je 0°C.


Prilagodljiv start


- prilagodljiva početna kontrola znači funkcija koja predviđa i pokreće optimalni početak zagrijavanja kako bi dosegao zadanu temperaturu u željenom vremenu.
- funkcija je uključena prema tvorničkim postavkama;
- ako želite promijeniti vrijednost – konvektor je u načinu rada „Isključen“, pritiskom na tipku „▲“ tipku „Timer“ za tri sekundi - na zaslonu počinje treptjeti „A_On“, morate pritisnuti „▼“, kako biste dostigli „A_OFF“, sačekajte 3 sekundi i funkcija će se automatski sačuvati.
- Za da se ponovno vratite u stanje „ON“ - konvektor je u načinu rada „Isključen“, pritiskom na tipku  i tipku „Timer“ za tri sekundi - na zaslonu počinje treptjeti „A_OFF“, morate pritisnuti , kako biste dostigli „A_On“, sačekajte 3 sekundi i funkcija će se automatski sačuvati.

Ova se funkcija prilagođuje prema vašim potrebama. Uređaj djeluje po zadanoj temperaturi „udobnosti“ dok ne dosegne stabilno stanje od 17 sati - ta temperatura je referentna temperatura udobnosti. Mora da se postavi i razdoblje sa nižom temperaturom od najmanje 7 sati od one koja je postavljena za udobnu s razlikom od 4°C ± 1°C. Uz aktiviranu prilagodljivu kontrolu - ostavite elektronički termostat uređaja da radi za 4 ciklusa (4


x 24 sata) za cikluse udobnosti (17 sati) i smanjenu temperaturu (7 sati). Po završetku posljednjeg razdoblja smanjenja, temperatura komfora mora biti postignuta unutar ±30 minuta od odstupanja od zadanog vremena - s maksimalnom razlikom od ±1°C od referentne temperature komfora.

“Zaštita od djece”

Tipke možete zaključati istodobnom produženim pritiskom na strelice , „Timer“ kako biste spriječili promjenu postavki. Ponovite istu akciju za otključavanje tipki.



 **Napomena:** Kada je tipkovnica zaključana i pritisnete neke tipke, na zaslonu se mora pokazati naslov „LOC_“.

Postavke u „Tjedni programer 24/7”

 Ulazak u režim postavki “Tjedni programer” moguće je samo ako su na uređaju postavljeni sat i dan u tjednu.

Ulazak u režim postavki i izlazak iz njega, se obavlja dugim pritiskom na tipku “Timer”.

Parametri postavljanja su tri – dan u tjednu, sat i zadana temperatura, a prebacivanje na ova tri parametra se vrši kratkim pritiskom tipku „Timer“ u redosljedu dan, vrijeme i temperatura. Snimanje se vrši kratkim pritiskom na tipku „Timer“, nakon postavljanja posljednjeg parametra - temperatura.

Promjena vrijednosti svakog parametra vrši se pomoću tipki  i .

Uvjeti pri snimanju

- Nakon snimanja na točki, više se ne može mijenjati do izlaska od tekuće postavke.
- Prilikom snimanja prve reperne točke određenog dana u trenutačnoj postavci, sve se dnevne točke brišu unaprijed.
- Snimanje sljedećih točaka na određeni dan moguće je samo u satima do kraja dana, nakon posljednje snimljene točke.
- Pri snimanju u posljednjem satu dana - 23.5h, na ovaj dan više se ne može unijeti druga snimanja u trenutnoj postavci, a na zaslonu se prikazuje naslov FULL i broj dana.
- Ako u određenom danu se ne obavljaju nikakva snimanja u trenutnoj postavci, to u njemu se spremaju postojeća snimanja do trenutne postavke.

Svrha postavki je zabilježiti tri parametra u takozvanim repernim točkama (SET POINTS), a postavljena temperatura na svakoj repernoj točki izvršava se do sljedeće takve.

Primjer: Ako u određenom danu ste izvršili snimanje u 7 sati sa temperaturom 22°C, i želite ona da ostane ista do 19 sati (tada planirate da postane 23°C), ne morate pamtili jedan po jedan do 19 sati za svaki sat, a vi samo morate spremeniti temperaturu 22°C u 7 sati i temperaturu 23°C i 19 sati. Po

podrazumijevanju u tom razdoblju (7-19 sati) vremena temperatura će biti 22°C.

Mehanizam zapisa svake točke je sljedeći:

Nakon ulaska u postavkama, prikazat će se na zaslonu dAY1, a broj trepće, što znači da je ovo parametar postavljanja (u ovom slučaju, dan u tjednu).

- Tipkama ▲ i ▼ se odabire željeni dan;
- Kratkim pritiskom na tipku "Timer" se prelazi na postavku na sat;
- Tipkama ▲ i ▼ se odabira željeni sat (korakom 0,5h) na tački;
- Kratkim pritiskom na tipku "Timer" se prelazi na postavku zadatka temperature;
- Tipkama ▲ i ▼ se odabira željena temperatura. Moguće temperature su od 10 do 30°C, i isključeno stanje OFF;
- Kratkim pritiskom na tipku "Timer" se izvršava snimanje tačke i se prebacuje na postavku sljedeće tačke (na zaslonu je ponovno prikazano dAYX) i se prelazi na paragraf a) za sljedeću točku;
- Tijekom snimanja u zadnjem satu dana – 23.5h, na ovaj dan više se ne može izvršavati snimanja u trenutnoj postavci, a na zaslonu se prikazuje naslov FUL_ i broj dana.



OPREZ: Tačke za određeni dan mogu se snimati samo uzastopnim redoslijedom sati.



Info: Prije provedbe paragrafa f), operater se može nazad vratiti do paragrafa a) za korekciju tri parametra tačke kratkim pritiskom na tipku ON/OFF bez da se izvršava snimanja u memoriji.

Označavanje tačaka na određenom danu može se izvršiti samovoljno nakon snimanja tačaka na drugim danima, ali samo promatranjem propisa uzlaznog redoslijeda sati u danu.

Izlazak iz postavki je kratkim pritiskom na tipku "Timer" ili sačekivanje 30 sekundi.

Nakon izlaska iz postavki, moguće je pregledati snimljene točke pomoću tipki ▲ i ▼, ako je uređaj u programskom načinu rada.



Napomena: Nakon uključivanja, uređaj prelazi u način rada (grijanje ili programiranje) u kojem je zadnji put radio.



Napomena: Prebacivanje na način rada (grijanje ili programiranje) kratkim pritiskom na tipku Timer kad je napajanje uključeno.

Funkcija „Nuliranje“ do tvorničkih postavki

Kada je konvektor u načinu rada „Isključen“, istodobno se pritisne tipka ▲ i tipka ▼ za šest sekundi – zatim na zaslonu počinje treptati „_ _ _“ i da se kreću simboli. Kada se „Nulira“ ćete vidjeti na zaslonu izmjerenu vrijednost temperature okoline.

Nakon uporabe funkcije nuliranje, morate ponovno zadati sljedeće funkcije:

- postavljanje sata;
- postavite vrijednost korekcije temperature (ako je to vam potrebno);
- deaktiviranje funkcije „Režim protiv smrzavanja“ (ako je to vam potrebno);
- deaktivirajte prilagodljiv start (ako je to vam potrebno);
- tjedni program - 24/7

Ako se električni konvektor isključi iz električne mrežne, to neće promijeniti postavljenu temperaturu i preostali način rada prije isključivanja. Ako je, na primjer, bio u načinu rada „Zagrijevanje“, pri isključivanju uređaja i nakon njegovog uključivanja, ponovno će biti u ovom načinu rada s istom postavljenom temperaturom.



Princip koji je postavljen u električnom konvektoru s neizbrisivom memorijom je pohraniti postavke zajamčeno do 90 minuta i bez jamstva do 150 minuta.

Kada je sobna temperatura niža od one koji ste vi postavili elektroničkim termostatom, konvektor počinje raditi i će raditi sve dok temperatura prostorije ne dostigne zadanu vrijednost. Kada je sobna temperatura viša od vrijednosti postavljene termostatom, konvektor će se automatski prebaciti u režim "Spremnost za uključivanje".

Prikazivana informacija na zaslonu

Prikazivanja indikacije ako nismo u postavci:

- U režimu isključeno – dosljedno prikazivanje:
 - sata (sat i minuti);
 - izmjerena sobna temperatura
- U režimu zagrijevanje – pokazuje izmjerenu sobnu temperaturu.
- U režimu programskom – dosljedno prikazivanje:
 - Dana u tjednu donja crta i izmjerene sobne temperature. 6_22;
 - Dana u tjednu donja crta i pulsirajuće zadane temperature u programu (zadatak za tekući sat), koja također može biti simbol OFF. 6_23.
- Pri uključivanju napajanja konvektora, prikazat će se na zaslonu:
 - Crte "----", ako pri isključivanju napajanja, on je bio u stanju isključeno.
 - crte "----", koje nakon 2 sekundi se zamjenjuju sa pokazivanjima za trenutnu temperaturu, ako pri isključivanju napajanja, on je bio u stanju isključeno.
- Dva broja (01÷96) u kombinaciji s treptanjem žute svijetlo diode pokazujući preostalo vrijeme u satima do odgođenog starta, ako pri isključivanju napajanja, konvektor je bio u režimu „Odgođeni start“.

- f. Za dodatno uštedu električne energije, elektronički termoregulator smanjuje snagu svjetlosti svih indikatora. Kada pritisnete bilo koju tipku, svjetlina se povećava za 8 sekundi, a zatim se ponovno smanjuje.
- g. Ako se na zaslonu pokaže "t0" ili "t1" znači, da je sustav za samodijagnostiku pronašao problem u termosenzoru. "t0" je pri slomljenu kابلu senzora, a "t1" pri senzoru kratkim spojem. U tom se slučaju električni konvektor isključuje i moguće je njegovo ponovno puštanje u pogon nakon uklanjanja greške. Greška mora biti uklonjena od strane kvalificiranog stručnjaka.
- h. Pri uključivanju napajanja do 2 sekundi, na zaslonu će se prikazati crtica "----" umjesto temperature ili vremena.
- i. Kada se na digitalnom zaslonu, prikazuje temperatura, svijetli "LED za temperaturu", a kada se pokazuje vrijeme do odgođenog starta, svijetli cemu "LED za vrijeme".

ZAŠTITA

- Uređaj je opremljen sa sigurnosnim termoprekidačem, koji automatski isključuje grijač u slučajevima porasta temperature konvektora više od dozvoljenih vrijednosti / takozvano pregrijavanje uređaja/
- Sigurnosni termoprekidač automatski vraća rad konvektora, samo kada temperatura padne ispod dopuštenih dozvoljenih granica.

ČIŠĆENJE

- Obavezno najprije isključite prekidač aparata i izvucite utikač iz utičnice. Prije početka čišćenja konvektora, ostavite ga da se ohladi isključivši ga iz kontakta
- Konvektor može se očistiti uz minimalan napor na stražnjem djelu - jednostavno pritisnite tipku „P“ zgrade /slika 2/ na leđima uređaja tako da možete da ga oslobodite i da očistite njegov stražnji dio.
- Očistite korpus s vlažnom krpom, usisivačem ili četkom.
- Nemojte nikada uranjati aparat u vodu – postoji opasnost po život od strujnog udara!
- Nikada ne koristite benzin, razrjeđivač ili gruba abrazivna sredstva za čišćenje, jer će ona oštetiti površinu aparata

SKLADIŠTENJE

- Prije pohrane konvektora, ostavite ga da se ohladi isključivši ga iz kontakta
- Koristite originalno pakovanje za pohranu konvektora ako se isti neće koristiti za neko vrijeme. Ovaj uređaj će biti zaštićen od prašine i prljavštine, dok je uvučen u svojoj originalnoj ambalaži.
- Nikada nemojte pohranjivati vrući aparat u njegovoj ambalaži!
- Ovaj uređaj treba biti pohranjen na suhom i zaštićenom od direktne sunčeve svjetlosti mjestu.

- Izričito se zabranjuje njegovo čuvanje u vlažnim ili mokrim prostorijama.

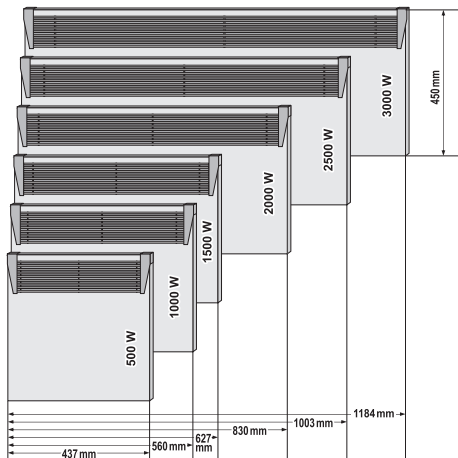
SERVISNO ODRŽAVANJE UREĐAJA

- U slučaju kvara uređaja, molimo obratite se najbližem ovlaštenom servisu. / navedeni su na jamstvenom listu proizvođača /.
- **Važno:** U slučaju prigovora i / ili kršenja vaših prava kao korisnik, molimo obratite se dobavljaču uređaja na navedenoj adresi ili preko web stranice tvrtke: www.tesy.com

VELIČINE UREĐAJA, GRIJANI OBIM I POVRŠINA U SOBI

Model	Zagrijani obim	Zagrijana površina
CN 03 050 EIS W - 500W	10* - 15 m ³	4* - 6 m ²
CN 03 100 EIS W - 1000W	20* - 30 m ³	8* - 12 m ²
CN 03 150 EIS W - 1500W	30* - 45 m ³	12* - 18 m ²
CN 03 200 EIS W - 2000W	40* - 60 m ³	16* - 24 m ²
CN 03 250 EIS W - 2500W	50* - 70 m ³	20* - 28 m ²
CN 03 300 EIS W - 3000W	60* - 80 m ³	24* - 32 m ²

* Najmanji zajamčeni grijani obim (površina) za grijanje za prosječan koeficijent toplinske provodljivosti $\lambda = 0,5 \text{ W} / (\text{m}^2\text{K})$ za grijanu prostoriju. Kod visokih vrijednosti za grijani obim (površina) se postiču za prosječnu vrijednost od $\lambda = 0,35 \text{ W} / (\text{m}^2\text{K})$. Standardna visina prostorije - 2,5 metara.



Upozorenje: Kako biste izbjegli pregrijavanje, ne prekrivajte kamin!



Smjernice za zaštitu okoliša


Stari električni uređaji sadrže vrijedne materijale i stoga ne bi trebalo ih odlagati zajedno s kućnim smećem! Molimo vas da surađujete sa svojim aktivnim doprinosom očuvanju resursa i okoliša i za prijenos uređaja organiziranim centrima za iskupovanje (ako ih ima).

TABLICA 2. ZAHTJEVI ZA INFORMACIJE ZA ELEKTRIČNE GRIJALICE ZA LOKALNO GRIJANJE PROSTORA

Identifikacijska(-e) oznaka(-e) modela: 1.CN03 050 EIS W; 2.CN03 100 EIS W; 3.CN03 150 EIS W; 4.CN03 200 EIS W; 5.CN03 250 EIS W; 6.CN03 300 EIS W 230V~ 50Hz


Značajka	Simbol	Vrijednost 1	Vrijednost 2	Vrijednost 3	Vrijednost 4	Vrijednost 5	Vrijednost 6	Jedinica	Značajka	Jedinica
Toplinska snaga									Vrsta ulazne topline, samo za električne akumulacijske grijalice za lokalno grijanje prostora (odabrati jednu)	
"nazivna toplinska snaga"	P_{nom}	0.50	1.00	1.50	2.00	2.50	3.00	kW	"ručna regulacija napajanja toplinom, s ugrađenim termostatom"	[ne]
"minimalna toplinska snaga (referentna)"	P_{min}	0.00	0.00	0.00	0.00	0.00	0.00	kW	"ručna regulacija napajanja toplinom putem informacija o sobnoj i/ili vanjskoj temperaturi"	[ne]
"maksimalna kontinuirana toplinska snaga"	$P_{max,C}$	0.50	1.00	1.50	2.00	2.50	3.00	kW	elektronička regulacija napajanja toplinom putem informacija o sobnoj i/ili vanjskoj temperaturi	[ne]
Potrošnja pomoćne električne energije									predaja topline uz pomoć ventilatora	[ne]
"kod nazivne toplinske snage"	e_{lmax}	0.43	0.93	1.44	1.91	2.45	2.91	kW	Vrsta izlazne topline/regulacija sobne temperature (odabrati jednu)	-
"kod minimalne toplinske snage"	e_{lmin}	0.00	0.00	0.00	0.00	0.00	0.00	kW	jednostupanjnska predaja topline i bez regulacije sobne temperature	[ne]
u stanju pripravnosti	e_{lSB}				0.00033			kW	dva ili više ručna stupnja, bez regulacije sobne temperature	[ne]
									s regulacijom sobne temperature mehaničkim termostatom	[ne]
									s elektroničkom regulacijom sobne temperature	[ne]
									"elektronička regulacija sobne temperature i dnevni uklopni sat"	[ne]
									elektronička regulacija sobne temperature i tjedni uklopni sat	[da]
									Druge mogućnosti regulacije (moguć odabir više opcija)	
									regulacija sobne temperature s prepoznavanjem prisutnosti	[ne]
									regulacija sobne temperature s prepoznavanjem otvorenog prozora	[ne]
									s mogućnošću regulacije na daljinu	[ne]
									s prilagodljivim pokretanjem regulacije	[da]
									s ograničenjem vremena rada	[ne]
									s osjetnikom s crnom žaruljom	[ne]

TESY Ltd
48 Madara Blvd,
Shumen, 9700,
Bulgaria

 **Prečítajte si tieto pokyny pred použitím spotrebiča a uschovajte ich na budúce použitie. V prípade zmeny majiteľa, návod na použitie odovzdajte spolu so spotrebičom.**

Ďakujeme vám, že ste si vybrali konvektor typu CN03. Je to spotrebič, ktorý poskytuje kúrenie v zimnom období podľa potreby, aby bola dosiahnutá požadovaná teplota vo vykurovanom priestore. Pri správnom používaní a údržbe, ako je popísané v tomto návode, jednotka vám zabezpečí veľa rokov užitočnej prevádzky.


DÔLEŽITÉ UPOZORNENIA A BEZPEČNOSTNÉ POKYNY:

 **Deti mladšie ako 3 roky, musia byť ďaleko od spotrebiča okrem situácie, v ktorej sú pod neustálym dohľadom.**

Deti vo veku 3-8 rokov môžu používať len tlačidlo spotrebiča na zapnutie a vypnutie, v prípade, že zariadenie je inštalované a pripravené na normálnu prevádzku a, že samé deti boli sledované i vyškolené v používaní spotrebiča bezpečným spôsobom a si uvedomujú nebezpečnosť pri fungovaní zariadenia.

Deti vo veku 3-8 rokov nesmú zapájať spotrebič do zásuvky, nastavovať, čistiť či vykonávať údržbu.

Deti viac ako 8 rokov ako aj osoby so zníženými fyzickými, zmyslovými alebo duševnými schopnosťami alebo osoby bez skúsenosti a znalosti môžu používať spotrebič v prípade, že sú sledované alebo predtým vyškolené v bezpečnom používaní zariadenia a si uvedomujú nebezpečnosti. Deti by nemali hrať so spotrebičom. Čistenie a údržbu by nemali vykonávať deti bez dozoru.

 **Niektoré súčasti tohto výrobku môžu byť veľmi horúce a môžu spôsobiť popáleniny. Ak by sa mali zúčastniť deti a zraniteľné osoby by mala byť venovaná osobitná pozornosť.**

- Pred zapojením do siete skontrolujte či ukázané na typovom štítku napätie zodpovedá napätiu prívádzaného do vášho domu.
- Tento spotrebič musí byť používaný iba k účelu, na ktorý bol poskytnutý, t.j. na vykurovanie domácností. Tento spotrebič nie je určený na obchodné účely. Akékoľvek iné použitie je považované za nevhodné a teda nebezpečné. Výrobca nenesie zodpovednosť za škody vyplývajúce z nesprávneho použitia. Nedodržanie bezpečnostných pokynov zruší platnosť záruky zariadenia!
- Keď nie ste doma nenechávajte prístroj zapnutý: uistite sa, že je vypnutý (platí pre konvektory s mechanickým ovládaním).
- Udržujte horľavé predmety, ako napríklad nábytok, vankúše, posteľnú bielizeň, papier, oblečenie, záclony a pod. vo vzdialenosti najmenej 100 cm od konvektora.
- Nepoužívajte zariadenie na miestach, kde sa používajú alebo uschovávajú horľavé látky (napr. v blízkosti horľavých plynov alebo aerosólov) – nesie to vysoké riziko požiaru a výbuchu!
- Nevkladajte cudzie predmety do ventilačných otvorov (prichádzajúce alebo odchádzajúce). Toto môže zapríčiniť úraz elektrickým prúdom, požiar alebo poškodenie konvektora.
- Jednotka nie je určená na chovanie zvierat a len na používanie v domácnosti!
- Nezakrývajte bezpečnostné mreže, neblokujte vstup vzduchu umiestnením jednotky oproti danému povrchu. Všetky predmety musia byť vo vzdialenosti aspoň 1 m frontálne a bočne od jednotky.


- Najčastejšou príčinou prehriatia je akumulácia vlákna a prachu v jednotke. Pravidelne vysávajú ventiláčne otvory. Predtým odpojte prístroj od elektrickej siete.
- Nikdy sa nedotýkajte spotrebiča mokrymi alebo vlhkými rukami - existuje nebezpečenstvo ohrozenia života!
- Zásuvka musí byť k dispozícii po celú dobu, tak aby v prípade potreby bola zástrčka uvoľnená čo najskôr! Nikdy pri odpojení od elektrickej siete neťahajte napájaciu šnúru alebo samotný prístroj.
- Poznámka: Odchádzajúci vzduch sa pri prevádzke zohreje (viac ako 100° C).
- Ak je napájacía šnúra tohto spotrebiča poškodená, prestaňte ho používať a obráťte sa na predajcu pre ďalšie pokyny.
- Ak sa rozhodnete prestať používať zariadenie tohto typu, je odporúčané, aby ste ho dali do nepoužívateľného stavu odrezaním napájacej šnúry po odpojení jednotky od elektrickej siete. Odporúča sa tiež aby všetky riziká, spojené s jednotkou boli zaistené, a to najmä pre deti, ktoré by sa mohli s amortizovaným spotrebičom hrať.
- Spotrebič nesmie byť umiestnený priamo pod zásuvkou!
- Upozornenie: Nepoužívajte tento prístroj spolu s programátorom, časovým spínačom alebo iným zariadením, ktoré ho automaticky zapne, lebo ak je jednotka nesprávne zakrytá, či nesprávne umiestnená existuje nebezpečenstvo požiaru.
- Umiestnite napájaciu šnúru tak, aby nezavadzala pri pohybe osôb a nebola našľapovaná! Používajte iba schválené predlžovacie káble, ktoré sú pre daný výrobok vhodné t. j. majú vlastnosť zhody 2.
- Nikdy nehýbte prístroj ťahaním za šnúru a nepoužívajte šnúru na prenášanie predmetov!
- Nekrčte šnúru, neťahajte ju cez ostré hrany a ju nedávajte na horúcu platňu alebo na otvorený oheň!

OBAL

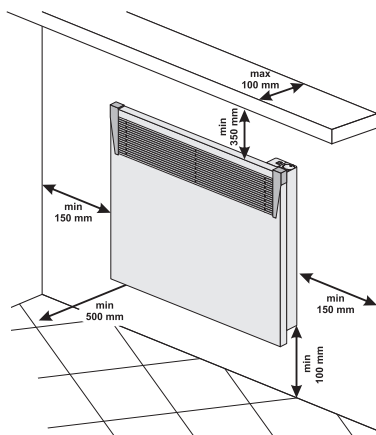
- Po vybalení jednotky skontrolujte, či počas prevážania nie je poškodená a či je úplne zabalená! V prípade, že zistíte poškodenie alebo neúplne zásobovanie sa obráťte na autorizovaného predajcu!
- Nevyhadzujte pôvodnú krabicu! Tá by sa mohla použiť na uschovávanie a prevážanie prístroja, aby nedošlo k jeho poškodeniu.
- Likvidáciu obalového materiálu vykonávajte vhodným spôsobom! Deti by mali byť obmedzené hrať sa s plastovými vrecami.

POKYNY NA INŠTALÁCIU

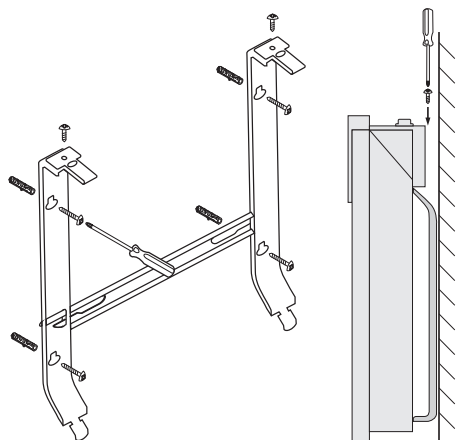
- Tento konvektor je určený na použitie v interiéri, montovaný na stenu.

 **Upozornenie:** V priestoroch s objemom viac ako 45 m³ sa odporúča umiestniť dva alebo viac konvektorov.

- Spotrebič nesmie byť umiestnený pod zásuvkou alebo prepojovacou krabicou.
- Neinštalujte / Nepoužívajte konvektor
 1. na miestach, kde je hnacia sila, aby nedochádzalo k interferencii s nastavením ovládacích prvkov;
 2. priamo pod zásuvku;
 3. v priestore číslo 1 (volume 1), pre kúpeľňu;
 4. v priestore číslo 2 (Volume 2), ak osoba pod sprchou, či vo vani má prístup k ovládacíemu panelu;
- Na inštaláciu jednotky na stenu používajte len nástenné držiaky, ktoré ste dostali spolu s konvektorom. Pri inštalovaní konvektora splňte minimálnu vzdialenosť od jednotky



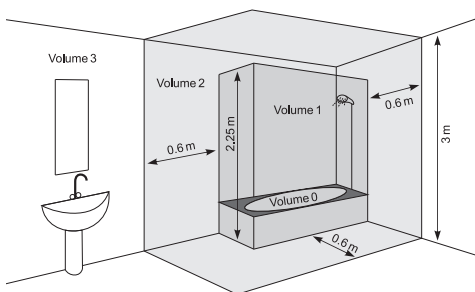
- Najprv odstráňte nástenné držiaky zo zadnej časti. Uvoľnite obe skrutky, umiestnené v hornej časti oboch vertikálnych dláh nástenných držiakov. Potom vytiahnite hornú časť dlahy pevným stlačením oboch horných častí, umiestnené v zadnej časti.



- Posuňte dole nástenný držiak, aby ste ho vytiahli zo zadnej časti.
- Ku stene pevne pripojte nástenný držiak štyrmi otvormi pre skrutky.
- Zdvíhnite jednotku takmer do vertikálnej polohy a vložte obe dolné časti nástenných držiakov do dvoch spodných otvorov zadnej časti konvektora. Potom zdvihnite jednotku a vložte obe horné časti nástenných držiakov do dvoch vrchných otvorov zadnej časti konvektora. Konečne dajte ich späť a obe skrutky pritiahnite, aby ste konvektor pevne pripojili ku stene.

POUŽITIE V KÚPEĽNI

- Konvektor musí byť inštalovaný v súlade s bežnou obchodnou praxou a v súlade s legislatívou daného štátu (smernice elektriny EU a požiadavky na osobitné inštalácie alebo na priestory, ktoré obsahujú kúpeľne či sprchy HD60364-7-701 (IEC 60364-7-701:2006)).



- Ak sa ide jednotka používať v kúpeľni či v inom podobnom priestore, musia byť splnené nasledujúce požiadavky pri inštalácii: Konvektor má ochranu IP24 (ochrana pred striekajúcou vodou). Ohľadom toho musí byť inštalovaný v priestore 2 (volume2) (pozri obr. nižšie), aby nedošlo k situácii,

v ktorej osoba vo vani či pod sprchou dosiahla ovládací panel (spínač a termostat). Minimálna vzdialenosť spotrebiča od zdroja vody nesmie byť menej ako 1 m. a jednotka musí v každom prípade byť montovaná na stenu! Ak nie ste si istí o inštalácii toho konvektora v kúpeľnom priestore poraďte sa s odborným elektrikárom.

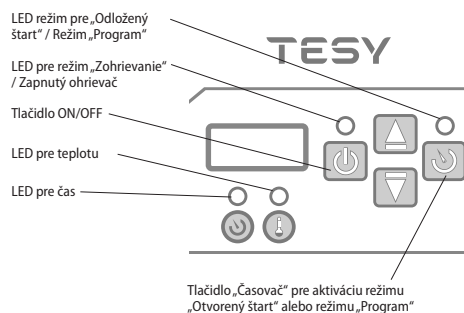
Poznámka: ak nie je možné vyplniť vyššie uvedené podmienky, odporúčame, aby inštalácia prebehla v priestore 3 (VOLUME 3).

- Vo vlhkých priestoroch (kúpeľne a kuchyne) napájací zdroj musí byť umiestnený vo výške minimálne 25 cm od podlahy.
- Pri inštalácii musíte mať vybavenú automatickú poisťku tak, aby vzdialenosť medzi zásuvkami, keď je vypnutá bola najmenej 3mm.

NÁVOD NA POUŽITIE

ELEKTRONICKÉ OVLÁDANIE

Prevádzkový režim



Zapnite konvektor, uveďte Kľúč do polohy „I“ (Zapnuté) .

Nastavenie hodín

Nastavenie hodín je možné len v režime zapnutom - nastavuje sa aktívny deň v týždni, čas a minúty.

Vchádzanie do nastavenia hodín sa vykonáva jednorazovým dlhým stlačením tlačidla „ON/OFF“ a „Timer“. Nastavovaná hodnota sa objaví na displeji. Výber hodnoty nastavenia sa uskutočňuje krátkym stlačením tlačidla „Timer“. Odchod z nastavenia je možný tretím krátkym stlačením tlačidla „Timer“ (po nastavení minút).

Nastavenie sa aktivuje v deň v týždni od 1 do 7 v závislosti od toho, ktorý v poradí je deň v týždni a nastavuje sa prostredníctvom príslušného čísla. Hodiny a minúty sa ukazujú súčasne na displeji, pričom blíkajú len parameter nastavenia. Zmena nastavenia parametra sa uskutočňuje tlačidlom ▲ a ▼.

Ak do 10 sek sa tlačidlo nepustí, opustí sa nastavenie.

Vypnutie režimu „Zohrievanie“

Keď panelový konvektor je zapnutý na číselnom displeji sa musí objaviť izbová teplota a svetiel musí len „LED pre teplotu“. Pri jednorazovom stlačení tlačidla „ON/OFF“ sa prechádza na režim „Zohrievanie“. Vtedy sa zapne červená svetelná dióda indikujúca tento režim. O približne 2 sekundy sa na číselnom displeji objaví nastavená teplota a v tom čase „LED teploty“ nesvieti. Ak je izbová teplota menšia od nastavená, automaticky sa zapína ohrievač.

Keď je ohrievač zapnutý, červená svetelná dióda svieti nepretržite!

Nastavovanie teploty

Stlačením nejakého z tlačidiel ▲ alebo ▼ sa prechádza v režim „Zmena nastavenej teploty“. Displej začne blikať a na ňom sa objaví dovtedy uvedená teplota. S nasledujúcim stlačením tlačidiel sa mení zadanie požadovaným smerom. Ak do 5 sek. sa nestlačí nové tlačidlo, nové nastavenie sa zapamätá a automaticky sa prechádza do režimu „Ohrievanie“. Ak sa niektorý z tlačidiel ▲ alebo ▼ pridrží dlhšie ako 0,7 sek., hodnota uvedenej teploty sa automaticky začne zvyšovať alebo znižovať rýchlosťou 4 jednotky za sekundu. Hranice regulácie uvedenej teploty sú od 10 do 30 stupňov.


„Odložený štart“ zapnutia panelového konvektora.

Ak je konvektor v režime „Vypnutý“, stlačením tlačidla „Časovač“ je povolené prídanie času, po čom sa automaticky prejde do režimu „Nahrievanie“. Tento režim sa indikuje blikajúcou žltou diódou a zhasnutou červenou. Na číselnom displeji sa striedajú hodnoty teploty okolia, keď svieti „LED pre teplotu“ a zostávajúci čas v hodinách do zapnutia „Ohrievania“, keď svieti „LED pre čas“. Bezprostredne po aktivácii tohto režimu sa rozsvieti žlté svetlo a displej začne blikať, pričom vypisuje uvádzaný čas v hodinách, do momentu zapnutia konvektora. Na začiatku sa nabíja 12 hodín a stlačením tlačidiel ▲ alebo ▼ sa mení čas požadovaným smerom. Ak niektorý z tlačidiel ▲ alebo ▼ sa pridrží dlhšie ako 0,7 sek., hodnota času sa začne automaticky zvyšovať alebo znižovať rýchlosťou 4 jednotiek za sekundu. Ak do 5 sek. sa nestlačí iné tlačidlo alebo sa stlačí tlačidlo „Časovač“, regulátor automaticky prechádza do režimu „Odložený štart“. Ak sa zadá čas 00, režim nie je aktívny. Ak sa už aktivovaný režim „Odložený štart“ a opäť sa stlačí tlačidlo „Časovač“, môže sa korigovať ostávajúci čas v dvoch možných smeroch. Po nastavení času sa prechádza do režimu „Odložený štart“, ak sa na displeji okrem teploty odpočítava čas, zostávajúci do prechodu na „Zohrievanie“. Z tohto režimu sa dá vyjsť stlačením tlačidla „ON/OFF“. Konvektor vtedy prejde do režimu „Zohrievanie“. „Odložený štart“ sa môže nastaviť od 01 do 96 hodín.

Vypnutie režimu „Zohrievanie“

Režim „Zohrievanie“ sa môže opustiť stlačením tlačidla „ON/OFF“. Vtedy sa ohrievač vypne, ak bol zapnutý predtým, vypne sa červené svetielko. Na displeji sa naďalej objavuje izbová teplota.

Funkcia „Proti zamrznutiu“

Ak teplota v miestnosti sa zníži pod 5 stupňov a konvektor je zapnutý (nesvieti červená dióda, ale zapnutý mechanický kľúč je v polohe „I“ (Zapnuté) ) ohrievanie sa zapne automaticky s cieľom ochrany pred zamrznutím.



Udávanie teploty, korekcia teploty nie je relevantná pre túto funkciu.

Aktivácia a deaktivácia funkcie:

- funkcia je zapnutá s výrobnými nastaveniami
- ak potrebujete vypnúť tlačidlo - konvektor je v režime „Vypnutý“, stlačením tlačidla ▲ alebo „On/Off“ na tri sekundy - na displeji začne blikať „ON“, ak stlačíte tlačidlo ▼, dosiahnete pozíciu „OFF“, počkajte 3 sekundy a funkcia automaticky prejde do režimu „OFF“.
- ak chcete opätovne aktivovať funkciu - konvektor je v režime „Vypnutý“, stlačením tlačidla ▲ a tlačidla „ON/OFF“ o tri sekundy začne na displeji blikať „OFF“, ak stlačíte tlačidlo ▼, dosiahnete pozíciu „ON“, počkajte 3 sekundy a funkcia automaticky prejde do režimu „ON“.

Funkcia teplotná korekcia senzora

Na základe špecifikácie teplotného profilu v rozličných miestnostiach môže byť rozdiel v teplote uvedenej na displeji a reálne nameranej teplote na rozličných miestach umiestnenia ohrievača v izbe.

- Sledujte teplotu, ktorú ukazuje displej zariadenia
- Zmerajte teplotu na mieste, kde je teplota dostatočne „komfortná“ pre vás (obvyčajne vo výške 60 cm od zeme, v sediacej polohe). Pri konštatovanom rozdiely v rozpätí $\pm 4^{\circ}\text{C}$ môžete urobiť potrebnú korekciu v menu korektora (dôležitá podmienka - funkcia sa môže nastaviť len po temperovaní ohrievanej miestnosti - podľa druhu priestoru minimálnym potrebným časom je 7 hodín) s dosiahnutým rozdielom medzi hodnotou konvektora a nameranou teplotou.




Poznámka: táto funkcia s cieľom lepšieho teplotného komfortu a šetrenia energie pre používateľa elektrického konvektora v miestnosti, kde sa nachádza. Väčší rozdiel od $\pm 4^{\circ}\text{C}$ nameranej teploty na želanom mieste v miestnosti, znamená, že miestnosť, kde sa konvektor používa nie je dobre izolovaná alebo nie je dobre temperovaná.

Príklad: konvektor postavený v miestnosti, nad kamennou podlahou - konvektor ukazuje 18°C (pri zadanej teplote 22°C), nameraná reálna teplota (pocit dosiahnutej komfortnej teploty) 22°C vo výške od podlahy 60 cm - v

tomto prípade, konvektor ďalej zohrieva miestnosť (ide o priamy tepelný únik, konvektor nemôže dosiahnuť požadovanú teplotu nakoľko meraná teplota sa generuje nízko pri podlahe) a nikdy sa nevypne. Je potrebné zadať teplotnú korekciu +4°C na senzore - v tomto prípade konvektor ukáže 22°C a začne sa vypínať - pričom udrží požadovanú teplotu 22°C.

Normálny stav funkcie je 0°C podľa výrobných nastavení

- ak chcete zmeniť hodnotu - konvektor je v režime „Vypnutý“; stlačením tlačidla ▼ alebo tlačidla „On/Off“ na tri sekundy - na displeji začne blikať 0°C. Môžete stlačiť tlačidlo ▼ alebo tlačidlo ▲, pre dosiahnutie diapazonu - 4°C do 4°C, počkajte 3 sekundy a funkcia sa uloží automaticky.
- Ak chcete overiť, aká korekcia je nastavená - konvektor je v režime „Vypnutý“, stlačením tlačidla ▼ a tlačidla „On/Off“ na tri sekundy na displeji začne blikať daná teplota. Môžete stlačiť tlačidlo ▼ alebo tlačidlo ▲, pre zadanie novej hodnoty v rozsahu od -4°C do 4°C.

 **Poznámka:** Po funkcii výrobné nulovanie - nasleduje opätovné udanie korekcie teploty, výrobné nastavenie je 0°C.

Adaptívny štart


- adaptívny štart kontrol znamená funkcia, ktorá naznačuje a iniciuje optimálny začiatok ohrievania pre dosiahnutie požadovanej teploty v určitom čase
- funkcia je zapnutá od výroby
- ak chcete zmeniť hodnotu - konvektor je v režime „Vypnutý“, stlačením tlačidla „▲“ a tlačidla „Timer“ na tri sekundy - na displeji začína blikať „A_On“, je potrebné stlačiť ▼; pre dosiahnutie „A_OFF“, počkajte tri sekundy a funkcie sa zapamätá automaticky.
- Pre návrat do stavu „ON“ - korektor je v režime „Vypnutý“, stlačením tlačidla ▲ a tlačidla „Timer“ na tri sekundy - na displeji začne blikať „A_OFF“, je potrebné stlačiť ▼ за да достигне „A_On“, изчаквате 3 секунди и функцията ще се запази автоматично.

Táto funkcia sa nastavuje podľa vašich potrieb.

Zariadenie pracuje podľa nastavenej teploty, kým dosiahne stabilný stav 17 hodín - táto teplota je komfortná teplota. Je potrebné nastaviť aj čas s nižšou teplotou pre najmenej 7 hodín od tej, ktorá je udaná ako komfortná s rozdielom od 4°C ± 1°C. Pri aktivovanom adaptívnom nastavení - nechajte elektrický termoregulátor zariadenia pracovať aspoň 4 cykly (2x24 hodín) v cykloch na komfort (17 hodín) a znížená teplota (7 hodín). Po ukončení posledného cyklu, komfortná teplota bude dosiahnutá v rozpätí nasledujúcich 30 minút od uvedeného času - s maximálnym rozdielom ± 1°C od referentnej komfortnej teploty.

“Ochrana dieťaťa”

Môžete uzamknúť tlačidlá prostredníctvom jednorazového stlačenia šípok ▼ a „Timer“, aby ste predišli zmene v nastavení. To isté zopakujte pre odomknutie.

 **Poznámka:** Ak klávesnica je zamknutá a stlačíte nejaké tlačidlo, na displeji sa ukáže nápis „LOC_“

Nástroje v Týždennom programovaní 24/7



Vstup do režimu nástroje Týždenného programovanie je možné, len ak je na zariadení nastavený čas a deň v týždni.

Vstup do režimu nastavenia a jeho ukončenie je možné prostredníctvom dlhého stlačenia tlačidla „Timer“.

Parametre nastavenia sú tri - deň v týždni, čas a uvedenie teploty, ako prepínanie uvedených troch parametrov sa uskutočňuje krátkym stlačením tlačidla „Timer“ v následnosti deň, čas, teplota. Zápis sa uskutočňuje krátkym stlačením tlačidla „Timer“, po nastavení posledného údaja - teplota.

Zmena hodnoty každého parametru sa vykonáva tlačidlom ▲ a ▼.

Podmienky uloženia

- Po uložení v bode sa viac nemôže meniť až do odchodu z aktuálneho nastavenia.
- Pri uložení na prvej referenčnej značke daného dňa v aktuálnom nastavení, všetky body dňa sa vopred vynulujú.
- Uloženie nasledujúcich bodov daného dňa je možné len do konca dňa, po poslednom zaznamenanom bode.
- Pri uložení posledného času dňa – 23.5h, toho dňa sa viac uložení nemôže zrealizovať v aktuálnom nastavení displeja sa objaví nápis FUL a číslo dňa.
- Ak v daný deň sa neuskutočnia žiadne uloženia v aktuálnom nastavení, uložia sa tam existujúce uloženia do aktuálneho nastavenia.

Cieľom nastavení je, aby sa zapísali tri parametre v tzv. referenčných bodoch (SET POINTS), uvedená teplota v každom referenčnom bode sa realizuje do najbližšej.

Napr.: Ak v daný deň sme uložili údaj o 7 hodine s teplotou 22°C, a chceme aby zostala taká istá do 19 hodiny (plánujeme, že bude 23°C), nie je nevyhnutné, aby sme ich ukladali jeden po druhom do 19 hodiny pre každú jednu hodinu, ale stačí uložiť teplotu 22°C o 7 hodine a teplota 23°C o 19 hodine. Štandardne sa v tomto časovom rozpätí (7 – 19 hodín) teplota bude 22°C.

Mechanizmus ukladania každého bodu je nasledujúci:

Po odchode z nástrojov sa na displeji objaví day1, ak číslo blika, znamená to, že ide o hodnotu nastavenia (v prípade dňa v týždni).

- S tlačidlami ▲ a ▼ si zvolíte požadovaný deň
- Krátkym stlačením tlačidla „Timer“ sa prechádza k nastaveniu času
- S tlačidlami ▲ a ▼ si zvolíte potrebný čas (v krokoch 0,5h) na bod
- Krátkym stlačením tlačidla „Timer“ sa prejde k nastaveniu zadania teploty
- S tlačidlami ▲ a ▼ si zvolíte požadovanú teplotu. Možné teploty sú od 10 do 30°C a vynútený stav OFF.
- Krátkym stlačením tlačidla „Timer“ sa uskutoční uloženie bodu a prechádza sa k nastaveniu nasledujúceho bodu (na displeji je opäť nápis dAYX) a prechádza sa k paragrafu a/ nasledujúceho bodu.
- Pri uložení pri poslednom čase dňa – 23.5h, v tento deň sa viac uložení nedá urobiť v aktuálnom nastavení a na displeji sa objaví nápis FUL_ a číslo dňa..



UPOZORNENIE: Body určitého dňa sa môžu ukladať len v narastajúcom poradí časových hodnôt.



Info: Pred vykonaním krokov uvedených v paragrafe f) operátor sa môže vrátiť nazad k paragrafu a) kvôli korekcii všetkých troch parametrov bodu krátky stlačením tlačidla ON/OFF, bez uloženia údajov do pamäte.

Dopisovanie bodov v danom dni sa môže uskutočniť svojvoľne, po uvedení údajov v bodoch iných dní, ale len pri dodržaní pravidla poradia časových údajov v priebehu dňa.

Opustenie nastavenia je prostredníctvom dlhého stlačenia tlačidla „Timer“ alebo po 30 sek.

Po opustení nastavenia je možné prezeranie zapísaných bodov, prostredníctvom tlačidiel ▲ a ▼, ak je zariadenie v programovom režime.



Poznámka: Po vypnutí zariadenie prechádza do režimu (zohrievanie alebo programový), v ktorom poslednom pracovalo.



Poznámka: Prepínanie režimu práce (zohrievanie alebo programový), prostredníctvom krátkého stlačenie tlačidla Timer pri zapnutom režime.

Funkcia „Nulovanie“ na výrobné nastavenia

Keď konvektor je v režime „Vypnutý“, jednorázovo sa stlačí tlačidlo ▲ a tlačidlo ▼ na 6 sekúnd – potom displej začne blikať „_ _ _ _“ a začnú sa striedať symboly. Keď sa „Nuluje“ na displeji uvidíte vymeranú hodnotu teploty prostredia.

Po použití funkcie nulovanie, je potrebné opäť uviesť nižšie uvedené funkcie.

- nastavenie hodín
- uvedte hodnotu korekcie teploty (ak potrebujete)
- deaktivovanie na funkciu Režim proti zamŕznaniu (ak potrebujete)

- deaktivujte adaptívny štart (ak potrebujete)
- tyždenný program – 24/7

Ak elektrický konvektor sa vypne z elektrickej siete, nezmení to zadanú teplotu a režim práce, ktorý bol nastavený pred vypnutím. Ak napríklad bol v režime „Zohrievanie“, pri vypnutí zariadenia a po jeho zapnutí, opäť bude v tomto režime s tou istou teplotou, ktorá bola nastavená.



Princíp, na základe ktorého funguje elektrický konvektor s energonezávislou pamäťou, je aby uchovával nastavenia so zárukou do 90 minút a bez záruky do 150 minút.

Keď teplota v miestnosti je nižšia, od tej ktorú ste nastavili s pomocou elektrického termoregulátora, konvektor začne svoju prácu a vykonáva ju do chvíle, keď teplota v miestnosti dosiahne požadovanú hodnotu. Keď teplota v miestnosti je vyššia, od tej ktorú ste nastavili s pomocou elektrického termoregulátora, konvektor sa automaticky prepne do režimu „Pripravenosť na zapnutie“.

Zobrazená informácia na displeji

Ukazovatele indikácie, ak nie sme v nastavení:

- V režime vypnutom – postupne sa ukážu:
 - hodiny (čas a minúty)
 - nameraná izbová teplota
- V režime zohrievania – ukazuje nameranú izbovú teplotu
- V režime programovom – postupne ukazuje:
 - deň v týždni, pomlčka dole, nameraná teplota. 6_22
 - deň v týždni, pomlčka dole, nameraná teplota a pulzujúco zadaná v programe teplota (uvedená pre aktuálny čas), ktorá môže byť aj symbol OFF. 6_23
- Pri odpojení konvektora z elektriny, na displeji sa zobrazí:
 - čiarky „----“, ak pri odpojení bol v režime vypnutom
 - čiarocky „----“, ktoré sa po 2 sekundách zamenia s ukazovateľom momentálnej teploty, ak pri odpojení bol v režime zapnutom.
- Dve čísla (01 ÷ 96) v kombinácii s blikaním žltého svetielka, ktoré ukazuje zostávajúci čas v hodinách do odloženého štartu, ak pri odpojení konvektora bol v režime „Odložený štart“.
- S cieľom doplniteľná ekonomia elektroenergie, elektrický termoregulátor znižuje intenzitu svietenia všetkých ukazovateľov. Pri stlačení náhodného tlačidla, intenzita svietenia sa zvýši o 8 sekúnd, po čom sa opäť zníži.
- Ak sa na displeji ukáže „t0“ alebo „t1“ znamená to, že systém samodiagnostiky našiel problém v termosenzore. „t0“ je pri prerušenom kábli snímača a „t1“ pri skratovom snímači. V tomto prípade elektrický

konvektor sa vypína a jeho opätovné zapnutie je možné po odstránení poruchy. Poruchu je potrebné odstrániť kvalifikovaným odborným zásahom.

- h. Po pripojení k elektrickému vedeniu do 2 sekúnd sa na displeji objavia čiaročky „----“ namiesto teploty alebo času.
- i. Keď na farebnom displeji sa objaví teplota svieti „LED pre teplotu“, keď sa zobrazuje čas do odloženého startu, svieti „LED pre čas“.

OCHRANA

- K jednotke je vybavený bezpečnostný termostat, ktorý automaticky vypne ohrievač v prípade zvýšenia teploty konvektora vyššie ako dovolené hodnoty /t. zv. prehriatie jednotky/.
- Bezpečnostný termostat automaticky obnoví fungovanie konvektora, keď teplota zariadenia klesne pod dovolenú hodnotu.

ČISTENIE

- V každom prípade najprv vypnite spínač a vyberte zástrčku od zásuvky. Predtým ako ste jednotku začali čistiť ju nechajte vychladnúť.
- Čistenie konvektora vyžaduje minimálne úsilie zo zadnej časti – Stlačením príchytky na zadnej časti jednotky v tvare „P“ /obr. 2/ ju vyberiete a vyčistíte.
- Na čistenie jednotky používajte vlhkú handru, vysávač alebo kefku.
- Nikdy neponárajte spotrebič do vody - nebezpečenstvo ohrozenia života v dôsledku zásahu elektrickým prúdom!
- Nikdy nepoužívajte benzín, riedidlo alebo agresívne abrazívne čistiace prostriedky, lebo poškodíte povrch jednotky!

SKLADOVANIE

- Pred uložením jednotky vypnutím zo zásuvky ju nechajte vychladnúť.
- Ak ho nejdete používať na dlhú dobu odložte konvektor do pôvodného obalu. Tým ho zachránite pred nadmerným prachom a špinou.
- Nikdy nedávajte horúci prístroj do obalu!
- Odložte jednotku v suchu a v chránenom pred slnečným žiarením mieste.
- Absolútne sa zakazuje uloženie jednotky vo vlhkom alebo mokrom prostredí.

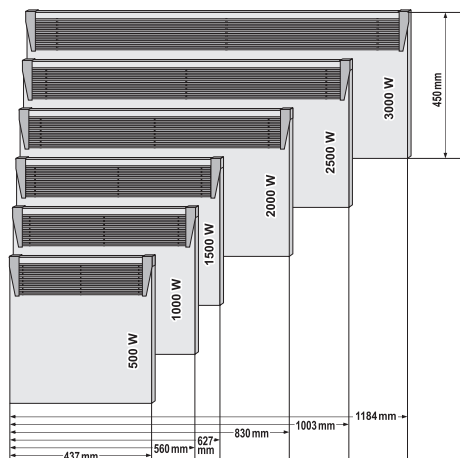
ÚDRŽBA PRÍSTROJA

- V prípade poruchy zariadenia sa obráťte na najbližšie oprávnené služby /informácie o nich nájdete na záručnom liste jednotky/.
- **Upozornenie:** V prípade reklamácie či porušenia vašich spotrebiteľských práv obráťte sa na dodávateľa jednotky ukázanou adresou alebo webovou stránkou výrobcu: www.tesy.com

ROZMERY JEDNOTKY, VYKUROVANÝ OBJEM A VYKUROVANÁ PLOCHA PRIESTORU

Model	Vykurovaný objem	Vykurovaná plocha
CN 03 050 EIS W - 500W	10* - 15 m ³	4* - 6 m ²
CN 03 100 EIS W - 1000W	20* - 30 m ³	8* - 12 m ²
CN 03 150 EIS W - 1500W	30* - 45 m ³	12* - 18 m ²
CN 03 200 EIS W - 2000W	40* - 60 m ³	16* - 24 m ²
CN 03 250 EIS W - 2500W	50* - 70 m ³	20* - 28 m ²
CN 03 300 EIS W - 3000W	60* - 80 m ³	24* - 32 m ²

* Minimálny zabezpečený vykurovaný objem (plocha) vykurovaného prostredia na vykurovanie pri priemernom koeficiente tepelnej vodivosti je $\lambda=0.5 \text{ W}/(\text{m}^2\text{K})$. Vyššie hodnoty vykurovaného objemu (plochy) dosiahnete pri priemernom koeficiente $\lambda=0.35 \text{ W}/(\text{m}^2\text{K})$. Standardná výška priestoru – 2.5 metre.



Upozornenie: Aby nedošlo k prehriatiu nezakrývajte jednotku!



Informácia o likvidácii opotrebovaného elektrického zariadenia.


Pri likvidácii sa nesmú elektrické a elektronické zariadenia miešať so všeobecným domácim odpadom! V záujme správneho obhospodarovania a dobrého stavu životného prostredia odveďte tieto produkty na určené zberné miesta.

PREGLEDNICA 2: ZAHTEVE GLEDE INFORMACIJ ZA LOKALNE ELEKTRIČNE GRELNICE PROSTOROV

Identifikacijska oznaka modela(-ov): 1.CN03 050 EIS W; 2.CN03 100 EIS W; 3.CN03 150 EIS W; 4.CN03 200 EIS W; 5.CN03 250 EIS W; 6.CN03 300 EIS W 230V~ 50Hz


Postavka	Simbol	Vrednost 1	Vrednost 2	Vrednost 3	Vrednost 4	Vrednost 5	Vrednost 5	Enota	Postavka	Enota
Izhodna toplotna moč									"Način dovajanja toplotne moči, samo za lokalne električne akumulacijske grelnike (izberite eno možnost)"	
Nazivna izhodna toplotna moč	P_{nom}	0.50	1.00	1.50	2.00	2.50	3.00	kW	Ročno uravnavanje dovajanja toplote z vgrajenim termostatom	[ne]
Minimalna izhodna toplotna moč (okvirno)	P_{min}	0.00	0.00	0.00	0.00	0.00	0.00	kW	Ročno uravnavanje dovajanja toplote s povratno informacijo o temperaturi v prostoru in/ali na prostem	[ne]
Največja trajna izhodna toplotna moč	$P_{max,C}$	0.50	1.00	1.50	2.00	2.50	3.00	kW	Elektronsko uravnavanje dovajanja toplote s povratno informacijo o temperaturi v prostoru in/ali na prostem	[ne]
Dodatna potreba po električni moči									Uravnavanje izhodne toplotne moči s pomočjo ventilatorja	[ne]
Pri nazivni izhodni toplotni moči	$e_{l,max}$	0.43	0.93	1.44	1.91	2.45	2.91	kW	Način uravnavanja izhodne toplotne moči/temperature v prostoru (izberite eno možnost)	-
Pri minimalni izhodni toplotni moči	$e_{l,min}$	0.00	0.00	0.00	0.00	0.00	0.00	kW	Z enostopenjskim uravnavanjem izhodne toplotne moči, brez uravnavanja temperature v prostoru	[ne]
V stanju pripravljenosti	$e_{l,SB}$				0.00033			kW	Z dvema ali več ročnimi stopnjami, brez uravnavanja temperature v prostoru	[ne]
									Z uravnavanjem temperature v prostoru z mehanskim termostatom	[ne]
									Z elektronskim uravnavanjem temperature v prostoru	[ne]
									Z elektronskim uravnavanjem temperature v prostoru z dnevnim časovnikom	[ne]
									Z elektronskim uravnavanjem temperature v prostoru s tedenskim časovnikom	[da]
									Druge možnosti uravnavanja (izberete lahko več možnosti)	[ne]
									Z uravnavanjem temperature v prostoru z zaznavanjem prisotnosti	[ne]
									Z uravnavanjem temperature v prostoru z zaznavanjem odprtega okna	[ne]
									Z možnostjo uravnavanja na daljavo	[ne]
									S prilagodljivim uravnavanjem začetka delovanja	[da]
									Z omejitvijo časa delovanja	[ne]
									Z globus senzorjem	[ne]

TESY Ltd
48 Madara Blvd,
Shumen, 9700,
Bulgaria

 **Būtinai perskaitykite šią instrukciją prieš pradėdami naudoti produktą, ir išsaugokite ją ateičiai. Keičiantis savininkui, eksploataavimo instrukcija turi būti perduota kartu su įrenginiu!**

Dėkojame, kad įsigijote konvektorinį šildytuvą CN03. Tai yra straipsnis, kuris suteikia šildymas žiemą, kiek reikia norint pasiekti komfortišką šilumą šildomoje patalpoje. Teisingai eksploatuojant ir prižiūrint įrenginį, kaip aprašyta šioje instrukcijoje, įrenginys tarnaus jums daugelį metų naudingą funkcijavimą.


SVARBIOS APSAUGOS PRIEMONĖS IR SAUGOS INSTRUKCIJOS:

 **Vaikai, jaunesni nei 3 metų, neturi būti prileidžiami prie įrenginio, išskyrus atvejus, kai jie nuolat prižiūrimi.**

Vaikai nuo 3 iki 8 metų gali tik naudoti mygtuku jį/išj., su sąlyga, kad įrenginys yra sumontuotas ir paruoštas normaliam darbui, o vaikai yra stebimi ir buvo instruktuoti, kaip juo saugiai naudotis, ir supranta, kad tai gali būti pavojinga.

Vaikai nuo 3 iki 8 metų neturėtų įjungti įrenginio į tinklą, nustatinėti jo, valyti ar kitaip prižiūrėti.

Šį įrenginį gali naudoti vaikai vyresni nei 8 metų ir asmenys su ribotomis fizinėmis, emocinėmis arba protinėmis galimybėmis, taip pat su patirties ir žinių trūkumu, išskyrus atvejus, kai jie yra stebimi, arba juos instruktavo asmuo, atsakantis už jų saugumą, kaip elgtis su įrenginiu. Būtina stebėti, kad maži vaikai nežaistų su įrenginiu! Vaikai negali valyti ir prižiūrėti įrenginio, jeigu jie nėra stebimi.

 **Kai kurios įrenginio dalys gali labai įkaisti ir sukelti nudegimų pavojų. Ten, kur yra vaikų ir kitų pažeidžiamų asmenų, turi būti atkreipiamas ypatingas dėmesys.**

- Prieš montuodami šildytuvą, patikrinkite, ar nurodyta lentelėje įtampa atitinka elektros tinklo įtampą namuose (biure).
- Šis įrenginys turi būti naudojamas tik pagal paskirtį, t.y. buitinių patalpų apšildymui. Prietaisas nėra skirtas komerciniams tikslams. Bet koks kitoks pritaikymas laikomas neteisingu ir pavojingu. Gamintojas negali atsakyti už gedimus, kuriuos sukėlė neteisingas ir neprotingas įrenginio naudojimas. Dėl saugumo informacijos nesilaikymo įrenginio garantija tampa negaliojanti!
- Neišeikite iš namų, kol įrenginys yra įjungtas: įsitinkinkite jungiklis yra padėtyje "išjungta" (atveju, kada konvektorius yra komplektuotas su mechaniniu valdymu).
- Laikykite lengvai užsiliepsnojančius daiktus, kaip baldai, pagalvės, patalynė, popierius, drabužiai, užuolaidos ir kt. bent 100 cm atstumu nuo krosnelės.
- Nenaudokite įrenginio zonose, kuriose naudojamos ar saugomos degios medžiagos (kaip pavyzdžiui: arti dujų ar aerosolių) – yra labai didelis sprogimo ir gaisro pavojus!
- Neleiskite, kad svetimkūniai patektų į ventilacijos angas (įleidimo ar išleidimo), nes tai gali sukelti elektros smūgį, gaisrą ar konvektoriaus gedimą.
- Įrenginys netinka gyvūnų priežiūrai, jis skirtas tik naudojimui namuose!
- Neuzstokite ir neribokite oro srauto į įėjimo ir išėjimo apsaugines groteles, pateikiant prietaisą netoli nuo paviršiaus. Visi daiktai turi būti bent 1 metro atstumu priekyje ir šone nuo įrenginio.
- Dažniausia priežastis, dėl perkaitimo yra pūkelių ir dulkių kaupimas į mašiną. Reguliariai reikia susiurbti ventilacijos angas, bet prieš to būtinai išjungti prietaisą iš tinklo.
- Niekada nelieskite įrenginio šlapiomis ar drėgnomis rankomis – yra pavojus gyvybei!


- Lizdas turi būti pasiekiamas bet kuriuo metu, kad prireikus kištukas galėtų būti ištrauktas kiek galima greičiau! Niekada netraukite maitinimo laido arba paties įrenginio išjungdami jį iš tinklo.
- Prisiimkite savo dėmesio, kad! Šalinamo metu oras tektų pasišildyti (iki daugiau nei 100°C).
- Jeigu maitinimo laidas bus pažeistas, saugumo tikslais nebenaudokite įrenginio ir kreipkitės į tiekėją / pardavėją už tolesnės instrukcijos.
- Jeigu nuspręsite nebenaudoti šio tipo įrenginio, rekomenduojama tai padaryti įrenginį netinkamas, pjojimdamas laidą, prieš tai išjungę jį iš tinklo. Rekomenduojama vengti visų pavijų, ypačingai saugoti įrenginį nuo vaikų, kurie gali panaudoti įrenginį žaidimams.
- Įrenginio nerekomenduojama montuoti nedelsiant po lizdu!
- DĖMESIO: Nenaudokite šio įrenginio su programavimo įrenginiu, skaitikliu ar kitu įrenginiu, kuris automatiškai jį įjungia, nes jeigu įrenginys yra uždengtas arba neteisingai pastatytas, yra gaisro pavojus.
- Įdėkite maitinimo laidą taip, kad jis neturi trukdyti žmonių judėjimui, ir kad negali būti vaikščiojo. Naudokite tik aprobuotus ilgintuvus, tinkančius įrenginiui, kadangi jie turi atitiktis ženklą!
- Niekada neperstatykite įrenginio, tempdami už laido, taip pat nenaudokite daiktams pernešti!
- Netempkite laido per aštirus kampus ir nedėkite jo ant karštų paviršių arba prie atviros ugnies!

PAKUOTĖ

- Išpakavę įrenginį, patikrinkite, ar jis gabenimo metu nebuvo pažeistas ir ar yra pilnai sukomplektuotas! Jeigu nustatėte pažeidimą arba nepilną komplektą, susisiekite su savo įgaliotu pardavėju!
- Neišmeskite originalios pakuotės! Neišmeskite originalios pakuotės! Ją galima naudoti saugojimui ir gabenimui, siekiant išvengti pažeidimų!
- Pakavimo medžiagą reikia tinkamai išmesti! Reikia saugoti, kad vaikai nežaistų su polietileno maišeliais!

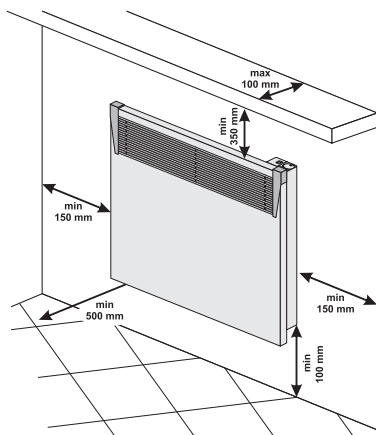
MONTAVIMO INSTRUKCIJA

- Šis konvektorius yra suprojektuotas naudojimui uždaroje patalpoje, montavimui ant sienos.

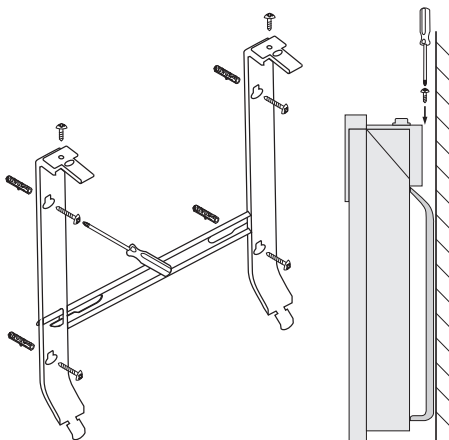
 **Svarbu:** Tose vietovėse, kuriems yra daugiau nei 45 m² apimtys, rekomenduojama naudoti 2 ar daugiau konvektoriaus kombinaciją.

- Nestatykite konvektoriaus po elektros lizdu ar skirstomąja dėžute.

- Nemontuokite/nenaudokite konvektoriaus:
 1. vietose, kur yra trauka, kad nebūtų daromas poveikis kontroliniams nustatymams,
 2. tiesiai po elektros lizdu,
 3. erdvėje 1 (volume 1) vonioje,
 4. tokioje erdvėje (volume 2) – tuo atveju, jeigu kontrolinį skydelį gali pasiekti žmogus, esantis duše arba vonioje;
- Montuojant konvektorių prie sienos, reikia naudoti tik sienos kabės, pristatytos kartu su konvektoriumi. Montuojant konvektorių būtina laikytis minimalaus atstumo nuo įrenginio



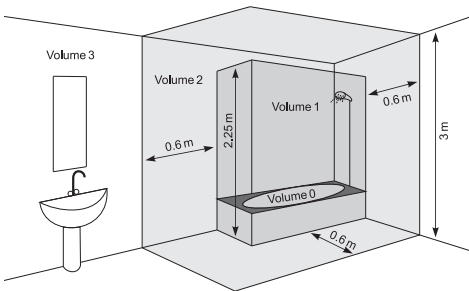
- Iš pradžių nuimkite sienos kabės nuo galinio korpuso. Atsukite du varžtus, esančius ant dviejų vertikalių sienos kabių panelių. Tada patraukite panelio viršutinę dalį, stipriai paspausdami dvi viršutinės dalis, esančias galiniame korpuso.



- Patraukite į apačią sienos kabę, kad nuimtumėte ją nuo galinio korpuso.
- Tvirtai pritvirtinkite prie sienos kabę per išgręžtas keturias angas varžtams.
- Pakelkite konvektorių beveik į vertikalią padėtį ir įstumkite dvi apatines kabės dalis į du išilginius lizdus konvektoriaus galiniame dangtyje. Po to pakelkite konvektorių ir įstumkite dvi viršutines sienos kabės į du viršutinius lizdus konvektoriaus galiniame dangtyje. Tada užveržkite du varžtus, kad gerai pritvirtintumėte konvektorių prie sienos.

KAIP NAUDOTI ĮRENGINĮ VONIOJE

- Konvektorinė krosnelė turi būti montuojama vadovaujantis įprasta prekybine praktika ir atitinkamos šalies įstatymais (ES elektros energijos direktyva ir specialaus montavimo būdo ar vietos reikalavimai, tame tarpe – montavimas vonioje, duše ar dušo kabinose HD60364-7-701 (IEC 60364-7-701:2006)).



- Jeigu šis konvektorius bus naudojamas vonioje ar kitoje panašioje patalpoje, reikia laikytis tokių montavimo reikalavimų: Konvektorius su apsauga IP24 (apsauga nuo vandens pusrū). Dėl to reikia montuoti 2 lygyje (volume 2) (žr. schemą žemiau), siekiant išvengti, kad konvektoriaus kontrolinis skydelis (jungiklis ir termoregulatorius) būtų pasiekiamas žmogui, esančiam duše ar vonioje! Minimalus atstumas nuo įrenginio iki vandens šaltinio turi būti ne mažesnis nei 1 metras, ir įrenginys turi būti montuojamas ant sienos! Jeigu abejojate, kaip turi būti montuojamas šis įrenginys vonios patalpoje, rekomenduojame pasikonsultuoti su profesionaliu elektriku.

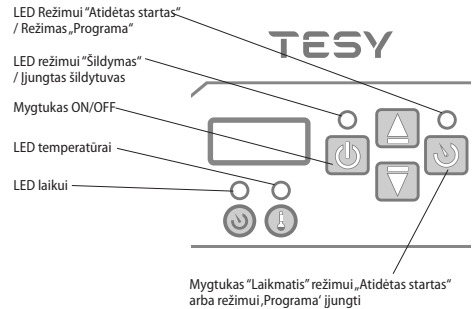
Pastaba: jeigu negali būti įvykdyti aukščiau nurodytos sąlygos, rekomenduojama sumontuoti įrenginį erdviėje 3 (VOLUME 3).

- Drėgnose patalpose (voniose ir virtuvėse) maitinimo šaltinis turi būti montuojamas mažiausiai 25 centimetrų aukštyje nuo grindų.
- Elektros instaliacijoje turi būti sumontuotas automatinis saugiklis, atstumas tarp kontaktų, kai jis yra išjungtas, turi būti ne mažesnis nei 3 mm.

NAUDOJIMO INSTRUKCIJA

ELEKTRONINIS VALDYMAS

Darbo režimai



Įjunkite konvektorių, paspauskite Raktas "I" padėtyje (Įjungta)

Laikrodžio nustatymas

Laikrodį nustatyti galima tik kai įrenginys išjungtas – nustatoma einamoji savaitės diena, valanda ir minutės.

Nustatyti laikrodį galima, vienu metu ilgai spaudžiant mygtukus "ON/OFF" ir "Timer". Nustatomas parametras pulsuoja displejuje. Pasirinkti nustatymo parametą galima trumpai paspaudus mygtuką "Timer". Nustatymas pasirodo trečią kartą trumpai paspaudus mygtuką "Timer" (po to, kai nustatomos minutės).

Nustatymas pradedamas nuo savaitės dienos nuo a iki y priklausomai nuo to, kokia pagal eilę yra einamoji savaitės diena, ir nustatoma pasirinktus atitinkamą skaičių. Valandos ir minutės rodomos tuo pat metu displejuje, pulsuoja tik nustatymo parametras. Parametro skaičiaus pakeitimas atliekamas spaudžiant mygtukus ▲ ir ▼.

Jeigu iki 10 sek mygtukas nepaspaudžiamas, nustatymas baigiamas.

Režimo „Šildymas“ nustatymas

Kai panelinis konvektorius yra išjungtas, skaičių displejuje reikia nustatyti kambario temperatūrą, ir turi šviesti tik "Temperatūros LED". Vieną kartą paspaudus mygtuką "On/Off" pereinate prie režimo "Šildymas". Tada įsijungia raudonas šviesos diodas, indikuojantis tą režimą. Maždaug dvi sekundes skaitmeniniame displejuje rodoma nustatyta temperatūra ir už tą laikotarpį "Temperatūros LED" nešviečia. Jeigu kambario temperatūra yra mažesnė nei kambario temperatūra, automatiškai įsijungia šildytuvas.

Kai šildytuvas yra įjungtas, raudonas šviesos diodas šviečia nuolat!

Temperatūros nustatymas

Paspaudus kurį nors iš mygtukų ▲ arba ▼ pereinama prie režimo **“Nustatytos temperatūros pakeitimas”**. Displėjus pradeda žybsėti, ir jame rodoma nustatyta iki šio momento temperatūra. Kitais mygtukų paspaudimais keičiama temperatūra pageidaujama kryptimi. Jeigu per 5 sek. nepaspaudžiamas naujas mygtukas, užduotis įsimenama ir automatiškai pereinama prie režimo **“Šildymo”** režimo. Jeigu koks nors iš mygtukų ▲ arba ▼ laikomas daugiau kaip 0.7 sek., nustatytos temperatūros vertė pradeda automatiškai didėti arba mažėti 4 vienetų per sekundę greičiu. Nustatytos temperatūros reguliavimo ribos yra nuo 10 iki 30 laipsnių.


Konvektoriaus įjungimo “Atidėtas startas”

Kai konvektorius yra režime “Išjungtas”, mygtuko “Laikmatis” paspaudimas leidžia nustatyti laiką, po kurio automatiškai pereinama prie režimo “Šildymas”. Šis režimas indikuojamas žybsinčiu geltonu šviesos diodu ir užgesusiu raudonu šviesos diodu. Skaitmeniniame displėjuje bus parodyti aplinkos temperatūros rodikliai, kai užsideds “Temperatūros LED”, ir likusį laiką valandomis, kol bus įjungtas “Šildymas”, kai šviečia “Laiko LED”. Įjungus šį režimą, geltonas šviesos diodas užsidega, o displėjus pradeda mirksėti ir rodo laiką valandomis, iki konvektoriaus įjungimo. Iš pradžių parodoma 12 valanda, ir paspaudus mygtuką ▲ arba ▼, laikas keičiamas pageidaujama kryptimi. Jeigu koks nors iš mygtukų ▲ arba ▼ laikomas daugiau kaip 0.7 sek., laiko vertė pradeda automatiškai didėti arba mažėti 4 vienetų per sekundę greičiu. Jeigu iki 5 sek. nepaspaudžiamas naujas mygtukas arba mygtukas “Laikmatis”, regulatorius pradeda vykdyti režimą “Atidėtas startas”. Jeigu parodomas laikas 00, režimas nevykdomas. Jeigu jau vykdomas režimas “Atidėtas startas”, ir iš naujo paspaudžiamas mygtukas “Laikmatis”, gali būti koreguojamas likęs laikas dviem galimom kryptimis. Po laiko nustatymo pereinama prie režimo “Atidėtas startas”, displėjuje be temperatūros atskaičiuojamos likusios valandos iki perėjimo prie “Šildymo”. Iš to režimo galima išeiti paspaudus mygtuką “On/Off”. Tada konvektorius pereis prie režimo “Šildymas”. “Atidėtas startas” gali būti nustatomas nuo 01 iki 96 valandos.

Režimo “Šildymas” išjungimas

Iš režimo “Šildymas” galima išeiti paspaudus mygtuką “On/Off”. Tada šildytvas išsijungia, jeigu buvo įjungtas prieš tai, užgęsta raudonas šviesos diodas. Displėjuje rodoma kambario temperatūra.

Funkcija “Prieš užšalimą”

Jeigu temperatūra patalpoje sumažėja iki 5 laipsnių, ir konvektorius yra išjungtas (nešviečia raudonas šviesos diodas, bet įjungtas mechaninis raktas yra “I” padėtyje (Įjungta) ) , šildytvas įsijungs automatiškai, kad apsaugotų įrenginį nuo užšalimo.



Temperatūros daviklio temperatūros koregavimo nustatymas neįtakoja šios funkcijos.

Funkcijos aktyvavimas ir deaktivavimas:

- funkcija įjungta pagal gamyklinius nustatymus
- jeigu norite išjungti funkciją – konvektorius yra režime “Išjungtas”, paspaudus mygtuką ▲ ir mygtuką “On/Off” tris sekundes – displėjuje pradeda mirksėti „ON“; paspaudus mygtuką ▼, pasieksite poziciją „OFF“; palaukite 3 sekundes, ir funkcija automatiškai pereis į režimą „OFF“.
- jeigu norite iš naujo įjungti funkciją – konvektorius yra režime “Išjungtas”, paspaudus mygtuką ▲ ir mygtuką “On/Off” tris sekundes – displėjuje pradeda mirksėti „OFF“; jeigu paspausite mygtuką ▼, pasieksite poziciją „ON“; palaukite 3 sekundes, ir funkcija automatiškai pereis į režimą „ON“.

Funkcija – daviklio temperatūros korekcija

Dėl temperatūros profilio specifikos skirtingose patalpose gali būti skirtumas displėjuje rodomoje temperatūroje ir realiai pamatuota skirtingose įrenginio vietose kambaryje.

- Pažiūrėkite į temperatūrą, kurią rodo įrenginio displėjus
- Išmatuokite temperatūrą vietoje, kur temperatūra yra pakankamai “komfortiška” Jums (paprastai maždaug 60 cm nuo grindų aukštyje, sėdimoje padėtyje). Jeigu konstatuojamas skirtumas diapazonu $\pm 4^{\circ}\text{C}$, galite nustatyti reikalingą korekciją konvektoriaus meniu (Svarbi sąlyga – funkcija gali būti nustatyta tik po pertraukos šildomoje patalpoje – priklausomai nuo patalpos rūšies, reikia mažiausiai 7 valandų) iš gauto skirtumo tarp konvektoriaus parodymų ir išmatuotos temperatūros.




Pastaba: ši funkcija naudojama siekiant geriausio temperatūros komforto ir siekiant sutaupyti energiją elektrinio konvektoriaus vartotojui, patalpoje, kur jis yra. Išmatuotos temperatūros pageidaujamoje vietoje kambaryje skirtumas, didesnis nei $\pm 4^{\circ}\text{C}$, reiškia, kad kambarys, kur jūs naudojate konvektorių, nėra gerai izoliuotas.

Pavyzdys: konvektorius pastatytas patalpoje, virš akmeninių grindų – konvektoriaus parodymai 18°C (kai nustatyta 22°C), pamatuota reali temperatūra (pasiektos komfortiškos temperatūros pojūtis) 22°C 60 cm virš grindų aukštyje - > tokiu atveju konvektorius tebešildo patalpą (tai tiesioginiai elektros nuostoliai, bet konvektorius negali pasiekti nustatytos temperatūros po to, kai išmatuojama temperatūra žemai prie grindų) ir niekada neišsijungs. Reikia nustatyti temperatūros korekciją $+4^{\circ}\text{C}$ daviklyje – tokiu atveju konvektorius rodyd 22°C ir išsijungs, kai bus pasiekta nustatyta 22°C temperatūra.

Normali funkcijos būseną yra 0°C pagal gamyklinius nustatymus

- Jeigu orite pakeisti vertę – konvektorius yra režime „išjungtas“, spaudžiant mygtuką ▼ ir mygtuką „On/Off“ tris sekundes – displejuje pradeda mirksėti „0°C“. Galima paspausti mygtuką ▼ arba mygtuką ▲, kad būtų pasiektas diapazonas „-4°C“ iki „4°C“, palaukite 3 sekundes, ir funkcija bus išsaugota automatiškai.
- Jeigu norite patikrinti, kokia korekcija yra nustatyta – konvektorius yra režime „išjungtas“, spaudžiant mygtuką ▼ ir mygtuką „On/Off“ tris sekundes – displejuje pradeda mirksėti nustatyta temperatūra. Galima paspausti mygtuką ▼ arba mygtuką ▲, kad nustatytumėt naują vertę diapazone „-4°C“ iki „4°C“.

 **Pastaba:** Po to, kai buvo atlikta gamyklinio atstatymo funkcija – reikia nustatyti iš naujo temperatūros korekciją, gamyklinė vertė yra 0°C.


Adaptyvinis startas

- adaptyvinė starto kontrolė reiškia funkciją, kuri numato ir inicijuoja optimalią šildymo pradžią, kad būtų pasiekta nustatyta temperatūra pageidaujama laiku.
- funkcija yra įjungta pagal gamyklinius nustatymus
- jeigu orite pakeisti vertę – konvektorius yra režime „išjungtas“, spaudžiant mygtuką „▲“ ir mygtuką „Timer“ tris sekundes – displejuje pradeda mirksėti „A_On“, reikia paspausti „▼“, kad pasiektumėte „A_OFF“, palaukite 3 sekundes, ir funkcija bus išsaugota automatiškai.
- Norėdami sugrįžti į būseną „ON“ – konvektorius yra režime „išjungtas“, spaudžiant mygtuką ▲ ir mygtuką „Timer“ tris sekundes – displejuje pradeda mirksėti „A_OFF“, reikia paspausti mygtuką ▼, kad pasiektumėte „A_On“, palaukite 3 sekundes, ir funkcija bus išsaugota automatiškai.

Ši funkcija nustatoma pagal jūsų poreikius. Įrenginys veikia pagal nustatytą komfortišką temperatūrą iki tol, kol bus pasiekta stabili būsena 17 valandų – ši temperatūra yra komfortiška temperatūra. Reikia nustatyti ir laikotarpį su žemesne temperatūra mažiausiai 7 valandų, palyginus su ta, kuri yra nustatyta kaip komfortiška su skirtumu nuo 4°C ± 1°C. Esant aktyvuotam adaptyviniam valdymui – palikite įrenginio elektroninį termoreguliatorių dirbti 4 ciklus (4 x 24 valandos) komforto ciklais (17 valandų) ir sumažinta temperatūra (7 valandas). Po to, kai baigsis paskutinis sumažinimo laikotarpis, komforto temperatūra turi būti pasiekta per ± 30 minučių nuo nustatyto laiko – su maksimaliu skirtumu nuo ± 1°C palyginus su komfortiška temperatūra.

“Apsauga uo vaikų”

Galite užrakinti mygtukus, ilgai vienu metu spausdami rodykles ▼ ir „Laikmatis“, kad užkirstumėte kelią nustatymų pakeitimui. Pakartokite šį veiksmą, norėdami išjungti mygtukus.

 **Pastaba:** kai klaviatūra yra užrakinta, ir jūs paspausiate bet kokius mygtukus, displejuje turi pasirodyti užrašas „LOC_“

Nustatymai “Savaitės programavime 24/7”



Galima įeiti į “Savaitės programavimo” nustatymus, tik jeigu nustatyta valanda ir savaitės diena.

Įeiti į nustatymus ir išeiti iš jų galima ilgai spaudžiant mygtuką “Timer”.

Yra trys nustatymo parametrai – savaitės diena, valanda ir nustatyta temperatūra, tris parametrus galima perjungti trumpai paspaudžiant mygtuką “Timer” ir nustatyti tam tikrą dienos, valandos, temperatūros seką. Įrašymas atliekamas trumpai spaudžiant mygtuką “Timer”, po paskutinio parametro – temperatūros – nustatymo.

Kiekvieno parametro vertės pakeitimas atliekamas mygtukais ▲ ir ▼.

Sąlygos įrašant

- Po įrašymo daugiau negalima keisti iki išėjimo iš šio nustatymo.
- Įrašant tam tikros dienos pirmą kontrolinį tašką į esamą nustatymą, visi dienos taškai prieš tai išvalomi.
- Kitų tos dienos taškų įrašymas tą dieną įmanomas tik valandomis iki dienos pabaigos, po paskutinio įrašyto taško.
- Darant įrašą paskutinę dienos valandą - 23.5h, tą dieną daugiau įrašų šiame nustatyme daryti negalima, ir ekrane pasirodo užrašas **FUL** ir dienos numeris.
- Jeigu tam tikrą dieną nedaromi jokie įrašai esamame nustatyme, jame išsaugomi esantys iki šio nustatymo įrašai.

Nustatymų tikslas – kad trys parametrai būtų įrašyti vadinamuosiuose kontroliniuose taškuose (SET POINTS), o nustatyta temperatūra kiekviename kontroliniame taške laikytųsi iki kito taško.

Pavyzdys: Jeigu tam tikrą dieną padarėte įrašą 7 valandą su temperatūra 22°C, ir norite, kad ji liktų tokia pati iki 19 valandos (po to planuojate 23°C), jums nereikia įrašyti vieng po kito iki 19 valandos, o reikia tik įrašyti temperatūrą 22°C 7 valandą ir temperatūrą 23°C @ 19 valandą. Tuo laikotarpiu (7-19 valandą) temperatūra bus 22°C.

Kiekvieno taško įrašymo mechanizmas yra toks:

Po to, kai įeisite į nustatymus, ekrane rodoma dAY1, skaičius pulsuoja, tai reiškia, kad tai yra parametras nustatymui (tam tikrą savaitės dieną).

- Mygtukais ▲ ir ▼ pasirinkama pageidaujama diena
- Trumpai spaudžiant mygtuką “Timer” pereinama prie valandos nustatymo
- Mygtukais ▲ ir ▼ pasirinkama pageidaujama taško valanda (su tarpu 0,5h)
- Trumpai spaudžiant mygtuką “Timer” pereinama prie temperatūros nustatymo

- a. Mygtukai ▲ ir ▼ pasirenkama pageidaujama temperatūra. Galima temperatūra nuo 10 iki 30°C ir išjungus busenaq OFF.
- a. Trumpai spaudžiant mygtuką "Timer" daromas taško įrašas ir pereinama prie kito taško nustatymo (ekrane vėl užrašas dAYX), ir pereinama prie kito taško a) punkto.
- a. Darant įrašą paskutinę dienos valandą – 23.5h, tą dieną daugiau įrašų šiame nustatyme daryti negalima, ir ekrane pasirodo užrašas FUL ir dienos numeris.



DĖMESIO: Taškai tam tikrą dieną gali būti įrašomi tik valandų didėjimo tvarka.



Informacija: Prieš atliekant punktą f) operatorius gali grįžti atgal iki punkto a) ir pakoreguoti visus tris taško parametrus trumpais mygtuko ON/OFF, paspaudimais, kad išsaugotų įrašą atmintyje.

Taškų papildomi įrašymai tam tikrą dieną gali būti daromi pagal pasirinkimą, po įrašų kitomis dienomis, bet tik laikantis valandų didėjimo tvarkos taisyklės.

Išeiti iš nustatymų galima ilgu mygtuko "Timer" paspaudimu arba palaukus 30 sek.

Išėjus iš nustatymų, galima peržiūrėti įrašytus taškus, naudojant mygtukus ▲ ir ▼, jeigu įrenginys yra programavimo režime.



Pastaba: Po įjungimo įrenginys pereina į režimą (šildymas arba programavimo), kuriuo paskutinį kartą veikė.



Pastaba: Darbo režimo (šildymo arba programavimo) nutraukimas atliekamas trumpai spaudžiant mygtuką Timer kai įrenginys yra įjungtas.

Funkcija – Gamyklinių nustatymų gražinimas

Kai konvektorius yra „Išjungtas“, vienu metu spaudžiami mygtukai ▲ ir ▼ šešias sekundes – po to displejuje pradeda žybsėti „_ _ _“ ir suk蒂斯 simboliai. Kai nustatymai gražinami, pamatysite displejuje pamatuotą aplinkos temperatūros vertę.

Po to, kai pasinaudojote nustatymų gražinimo funkcija, reikia iš naujo nustatyti tokias funkcijas:

- laikrodžio nustatymas
- nustatykite temperatūros korekcijos vertę (jeigu reikia)
- deaktyvuokite funkciją "Režimas prieš užšalimą" (jeigu reikia)
- deaktyvuokite adaptyvinį startą (jeigu reikia)
- savaitės programa - 24/7

Jeigu elektrinis konvektorius išjungiamas iš maitinimo tinklo, tai nepakeis nustatytos temperatūros ir darbo

režimo, kurie buvo prieš jį išjungiant. Jeigu, pavyzdžiui, režimas buvo "Šildymas", išjungus įrenginį ir vėl jį įjungus jis vėl veiks tuo pačiu režimu ir su tokia pat nustatyta temperatūra.



Principas, integruotas į elektrinį konvektorių su energetiškai nepriklausoma atmintimi, yra išsaugoti nustatymus užtikrintai iki 90 minučių ir be garantijos iki 150 minučių.

Kai temperatūra patalpoje yra žemesnė, negu nustatyta naudojant elektroninį termoreguliatorių, konvektorius pradeda veikti ir veikia iki momento, kai temperatūra patalpoje pasiekia nustatytą vertę. Kai temperatūra patalpoje yra aukštesnė už nustatytą termoreguliatoriaus pagalba, konvektorius automatiškai pereis prie režimo "Pasirengimas įjungimui".

Informacija, rodoma displejuje

Indikacijos rodmenys, jeigu nesame nustatymuose:

- a. Kai įrenginys išjungtas – nuosekliai rodoma:
- laikrodis (valanda ir minutės)
 - pamatuota kambario temperatūra
- b. Šildymo režime – rodoma pamatuota kambario temperatūra
- c. Programavimo režime – nuosekliai rodoma:
- savaitės diena, brūkšnys apačioje ir pamatuota temperatūra. 6_22
 - savaitės diena, brūkšnys apačioje ir pulsuojanti nustatyta programoje temperatūrą (užduotis esamai valandai), kuri gali būti ir OFF simbolis. 6_23
- d. Įjungus konvektoriaus maitinimą, displejuje parodoma:
- brūkšneliai "----", jeigu maitinimo išjungimo metu įrenginys buvo išjungtas.
 - brūkšneliai "----", kuriuos po 2 sek. keičia momentinės temperatūros rodmenys, jeigu maitinimo išjungimo metu įrenginys buvo įjungtas.
- e. Du skaičiai (01÷96) ir žybsintis geltonas šviesos diodas, kurie rodo, kiek laiko liko iki atidėto starto, jeigu maitinimo išjungimo metu konvektorius buvo režime "Atidėtas startas".
- f. Papildomo elektros energijos taupymo tikslais elektroninis termoreguliatorius sumažina visų indikatorių ryškumą. Paspaudus bet kurį mygtuką, ryškumas padidėja per 8 sekundes, po to vėl sumažėja.
- g. Jeigu displejuje pasirodo "t0" arba "t1", reiškia, kad savaiminės diagnostikos sistema aptiko problemą termodaviklyje. "t0" rodoma, jeigu daviklio laidas nutrūko, o "t1" – jeigu įvyko trumpas jungimasis. Šiuo atveju elektrinis konvektorius išsijungia, ir jo pakartotinis įjungimas įmanomas po defekto pašalinimo. Pažeidimą turi pašalinti kvalifikuotas specialistas.

- h. Įjungus įrenginį į tinklą, maždaug 2 sekundes displejuje rodomi brūkšneliai "----" vietoj temperatūros arba laiko.
- i. Kai skaitmeniniame displejuje atsispindi temperatūra, šviečia "Temperatūros LED", kai atsispindi laikas iki atidėto starto, šviečia "Laiko LED".

APSAUGA

- Prietaisas yra tiekiamas apsauginiu termostatinio įjungikliu, kuris turi automatiškai išjungti šildytuvą temperatūros didėjimo atveju per konvektorius vertybu laiko (vadinamasis įrenginio perkaitimas).
- Apsauginis termostatinis įjungiklis automatiškai atkuria konvektorius darbą tik tada, kai įrenginio temperatūra nukrinta žemiau leistinos ribos.

VALYMAS

- Būtinai iš pradžių išjunkite įrenginį ir ištraukite kištuką iš lizdo. Prieš valant konvektorius, leiskite jam atvėsti jį išjungti iš elektros tinklo.
- Konvektorius galima valyti su minimaliomis pastangomis gale - tiesiog paspauskite „P“-formos laikiklius / 2 pav. / atgal įrenginio - tokiu būdu jūs galite paleisti juos ir išvalyti gale.
- Valykite korpusą drėgnu skudurėliu, dulkių siurbliu arba šepetėliu.
- Niekada netaipinkite įrenginio į vandenį – kyla pavojus gyvybei nuo elektrinio šoko!
- Niekada nenaudokite benzino, plonesni arba atšiaurių abrazyvinių valymo priemonių, nes jie sugadino įrenginio apdaila.

LAIKYMAS

- Prieš laikyti konvektorius, leiskite jam atvėsti jį išjungti iš elektros tinklo.
- Jeigu kurį laiką įrenginys nenaudojamas, jį reikia apsaugoti nuo dulkių ir purvo, supakuojant į originalią pakuotę. Produktas apsaugomas nuo dulkių ir purvo, jeigu saugomas originalioje pakuotėje.
- Niekada nepakuokite šilto įrenginio!
- Produktas turi būti saugomas sausoje ir apsaugotoje nuo tiesioginių saulės spindulių vietoje.
- Vienareikšmiškai draudžiama laikyti konvektorius drėgnose ir šlapiose vietose.

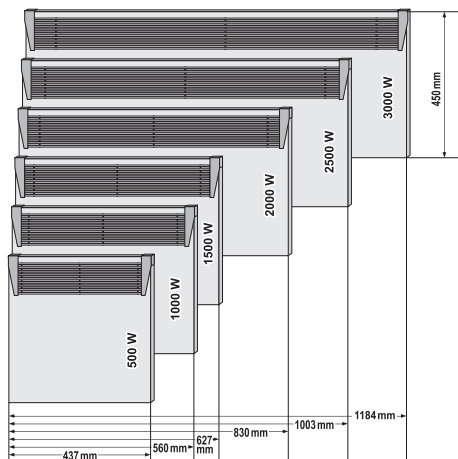
ĮRENGINIO TECHNINĖ PRIEŽIŪRA

- Įrenginio gedimo atveju, kreipkitės į artimiausią įgaliotąją taisyklą. (yra nurodyti produkto garantijos kortelėje).
- **Svarbu:** Tuo atveju, jei turite pretenziją ir / ar Jūsų vartotojo teisės yra pažeisti, prašome susisiekti su savo produkto tiekėją - nurodytais adresais, arba taikant bendrovės interneto svetainė: www.tesy.com

ĮRENGINIO MATMENYS, ŠILDOMASIS TŪRIS IR PLOTAS KAMBARYJE

Modelis	Apšildomas tūris	Apšildomas plotas
CN 03 050 EIS W - 500W	10* - 15 m ³	4* - 6 m ²
CN 03 100 EIS W - 1000W	20* - 30 m ³	8* - 12 m ²
CN 03 150 EIS W - 1500W	30* - 45 m ³	12* - 18 m ²
CN 03 200 EIS W - 2000W	40* - 60 m ³	16* - 24 m ²
CN 03 250 EIS W - 2500W	50* - 70 m ³	20* - 28 m ²
CN 03 300 EIS W - 3000W	60* - 80 m ³	24* - 32 m ²

* Minimalus garantuojamas šildomas tūris (sritis) šildymui šilumos laidumo vidutinei koeficientui $\lambda = 0,5 \text{ W} / (\text{m}^2\text{K})$ šildomoje patalpoje. Didesnės vertės šildomo tūriui (sritims) pasiekiamas laikotarpis vidutiniška $\lambda = 0,35 \text{ W} / (\text{m}^2\text{K})$. Standartinis kambarys aukštis - 2,5 metro.



DĖMESIO: vengdami perkaitimo, neuždenkite įrenginio!



Aplinkosauginiai nurodymai

Senuose elektros prietaisuose yra vertingų medžiagų, ir dėl to jų nereikia išmesti kartu su buitineis atliekomis! Prašome aktyviai prisidėti prie aplinkos apsaugos ir atiduoti įrenginį į organizuotus supirkimo centrus (jeigu tokių yra).

2 LENTELĖ: INFORMACIJOS APIE ELEKTRINIUS VIETINIUS PATALPŲ ŠILDYTUVUS REIKALAVIMAI

Modelio žymuo (-enys): 1.CN03 050 EIS W; 2.CN03 100 EIS W; 3.CN03 150 EIS W; 4.CN03 200 EIS W; 5.CN03 250 EIS W; 6.CN03 300 EIS W 230V~ 50Hz

Parametras	Ženklas	Vertė 1	Vertė 2	Vertė 3	Vertė 4	Vertė 5	Vertė 6	Vienetas	Parametras	Vienetas
Šiluminė galia									Tiekiamosios šiluminės galios lygiai – tik elektrinių kaupiamųjų vietinių patalpų šildytuvų (pasirinkti viena)	
Vardinė šiluminė galia	P_{nom}	0.50	1.00	1.50	2.00	2.50	3.00	kW	Rankinis šiluminės įkrovos valdiklis su integruotu termostatu	[ne]
Mažiausia šiluminė galia (orientacinė)	P_{min}	0.00	0.00	0.00	0.00	0.00	0.00	kW	Rankinis šiluminės įkrovos valdiklis su patalpos ir (arba) lauko temperatūros jutikliu	[ne]
Didžiausia nuolatinė šiluminė galia	$P_{max,C}$	0.50	1.00	1.50	2.00	2.50	3.00	kW	Elektroninis šiluminės įkrovos valdiklis su patalpos ir (arba) lauko temperatūros jutikliu	[ne]
Pagalbinės elektros energijos vartojamoji galia									Ventiliatorinis šilumos atidavimas	[ne]
Esant vardinei šiluminei galiai	e_{lmax}	0.43	0.93	1.44	1.91	2.45	2.91	kW	Šiluminės galios lygiai/patalpos temperatūros reguliavimas (pasirinkti viena)	
Esant mažiausiai šiluminei galiai	e_{lmin}	0.00	0.00	0.00	0.00	0.00	0.00	kW	Vieno šiluminės galios lygio ir be patalpos temperatūros reguliavimo	[ne]
Pristabdytą veikseną	el SB			0.00033				kW	Dviejų ar daugiau rankinių būdu nustatomų šiluminės galios lygių be patalpos temperatūros reguliavimo	[ne]
									Su mechaninio termostatinio patalpos temperatūros reguliavimo funkcija	[ne]
									Su elektroninio patalpos temperatūros reguliavimo funkcija	[ne]
									Elektroninis patalpos temperatūros reguliavimas ir paros laikmatis	[ne]
									Elektroninis patalpos temperatūros reguliavimas ir savaitės laikmatis	[taip]
									Kitos valdymo pasirinktys (galimi keli variantai)	
									Patalpos temperatūros reguliavimas su žmonių buvimo atpažintimi	[ne]
									Patalpos temperatūros reguliavimas su atviro lango atpažintimi	[ne]
									Su nuotolinio valdymo pasirinktimi	[ne]
									Su adaptyviuoju šildymo pradžios momento nustatymu	[taip]
									Ribojamo veikimo laiko	[ne]
									Su spinduliavimo temperatūros jutikliu (angl. black bulb sensor)	[ne]

TESY Ltd
48 Madara Blvd,
Shumen, 9700,
Bulgaria



Izlasiet šo instrukciju pirms šīs ierīces izmantošanas un uzglabāiet to tālākai lietošanai. Ja ierīces īpašnieks nomainās, tad kopā ar ierīci jaunajam īpašniekam ir jānodod arī instrukcija.

Pateicamies Jums, ka esat izvēlējušies konvektoru CN03. Tas ir izstrādājums, kas ir paredzēts apsildīšanai ziemā atkarībā no komfortablās temperatūras, kuru vēlaties apsildāmajā telpā. Pareizi ekspluatējot un apkopjot, kā tas ir aprakstīts šajā instrukcijā, ierīce Jūs nodrošinās ar pareizu funkcionēšanu daudzus gadus.

SVARĪGI PASĀKUMI AIZSARDZĪBAI UN DROŠĪBAS INSTRUKCIJA:



Bērņus, kas ir mazāki par 3 gadiem ir jātur attālumā no ierīces, vienīgi, ja tie nav nepārtrauktā uzraudzībā.

Bērni vecumā no 3 līdz 8 gadiem var izmantot ierīces pogu iesl./izsl. Ar noteikumu, ka ierīce ir instalēta un gatava normālam darbam un ja tie ir uzmanīti un instruēti saistībā ar ierīces drošu izmantošanu un ja bērni saprot, ka tā var būt bīstama.

Bērni vecumā no 3 līdz 8 gadiem nedrīkst ieslēgt ierīci kontaktā, to uzstādīt un tīrīt un veikt ierīces patērētāju kopšanu.

Šo ierīci var izmantot bērni vecāki par 8 gadiem un cilvēki ar nepietiekamām fiziskām, sensoriālām vai mentālām spējām, vai ar nepietiekošām zināšanām un pieredzi, ja tos pieskata vai instruē sakarā ar ierīces drošu izmantošanu un kad tie saprot par bīstamību. Bērni nedrīkst spēlēties ar ierīci. Ierīces tīrīšanu un kopšanu, ko veic patērētāji, nedrīkst veikt bērniem bez pieaugušo uzraudzības.



Šī produkta dažas daļas var palikt ļoti karstas un var izraisīt apdegumus. Tur kur uzturās bērni un neaizsargāti cilvēki, ir jābūt sevišķi vērīgiem.

- Pirms ierīces ieslēgšanas, pārbaudiet vai norādītais strāvas spriegums uz ierīces plāksnītes atbilst Jūsu mājas elektrības tīkla spriegumam.
- Ierīce ir jāizmanto tikai paredzētajam mērķim, kam ir domāta, t.i. sadzīves telpu apsildīšanai. Ierīce nav paredzēta komerciālām vajadzībām. Lietošana citiem mērķiem tiek uzskatīta nepareiza, kā rezultātā – bīstama. Ražotājs nevar būt atbildīgs par bojājumiem, kas ir radušies nepareizas un nepamatotas lietošanas rezultātā. Neievērojot drošības noteikumus, ierīces garantijas laiks nebūs spēkā!
- Neizejiet no mājām, kamēr ierīce strādā. Pārlicinieties, ka slēdzis ir stāvoklī – izslēgts (tas attiecas uz konvektoru ar mehānisko vadību).
- Novietojiet viegli uzliesmojošos priekšmetus, kā piemēram mēbeles, spilvenus, gultas veļu, papīru, drēbes, aizskarus un tt. vismaz 100 cm attālumā no konvektora.
- Nelietojiet ierīci zonās, kur izmanto vai glabā ugunsnedrošas vielas. Neizmantojiet ierīci zonās ar viegli uzliesmojošām atmosfērām (piemēram: uzliesmojošu gāzi vai aerosolus) – pastāv liela eksplozijas un ugunsgrēka varbūtība!
- Nelieciet un nepieļaujiet svešķermeņu nokļūšanu ventilatora atverēs (ieejošās un izejošās), tā kā tas var novest līdz strāvas sitienam, ugunsgrēkam vai konvektora bojājumiem.
- Ierīce nav paredzēta mājdzīvnieku apsildei, tā ir domāta tikai lietošanai mājas apstākļos!
- Neapsedziet drošības režģus, nenoblokējiet gaisa plūsmas ieeju un izeju novietojot to priekšmetu tuvumā. Priekšmetiem ir jāatrodas vismaz 1m attālumā no konvektora priekšējās puses un sāniem.
- Visbiežākais iemesls ierīces pārsilšanai – putekļu un villas uzkrāšanās uz ierīces. Regulāri tīrīt ar putekļu sūcēju ventilatora atveres, pirms tam izslēdzot ierīci no elektriskā tīkla.
- Nekad neaiztieciet ierīci ar mitrām vai slapjām

rokām – var būt apdraudēta dzīvība!


- Kontaktam ir jābūt pieejamam katrā laikā, lai vajadzības gadījumā špelsi var ātri atbrīvot. Atslēdzot no elektrotīkla ierīces nekad nevelciet barojošo vadu vai pašu ierīci.
- Ņemiet vērā! Ierīces darba laikā izejošais gaiss sasilst (vairāk par 100°C).
- Ja ierīces vads ir bojāts, neizmantojiet to un sazinieties ar piegādātāju/pārdevēju lai saņemtu papildus instrukcijas.
- Ja nolemsiet vairāk neizmantojot tāda tipa ierīci, tad ir ieteicams to padarīt par neizmantojamu, pēc atvienošanas no tīkla, nogrieziet vadu. Ieteicams visas bīstamības, kas ir saistītas ar ierīci, neitralizēt, sevišķi tās, kas ir saistītas ar bērniem, kas var izmantot amortizēto ierīci savām spēlēm.
- Nenovietojiet rkonvektoru tiešā kontaktrozetes tuvumā, īpaši zem tās!
- Uzmanību: nelietojiet šo ierīci kombinācijā ar programatoru, skaitītāju vai ar citu iekārtu, kas to automātiski ieslēdz/izslēdz, jo ja ierīce ir apsegta vai nepareizi novietota, ir iespējams ugunsgrēks.
- Ierīces barojošo vadu novietojiet tā, lai tas netraucē cilvēku kustībai un lai tam neuzkāptu! Izmantojiet tikai pagarinātājus, kas ir piemēroti ierīcei, t.i. tiem ir atbilstības zīme!
- Nekad nepārvietojiet ierīci velkot to aiz barojošā vada, kā arī neizmantojiet vadu priekšmetu pārvietošanai!
- Nepārlokiet vadu un nevelciet to pāri asiem stūriem un nelieciet to uz karstām virsmām vai tuvu pie atklātas uguns!

IEPAKOJUMS

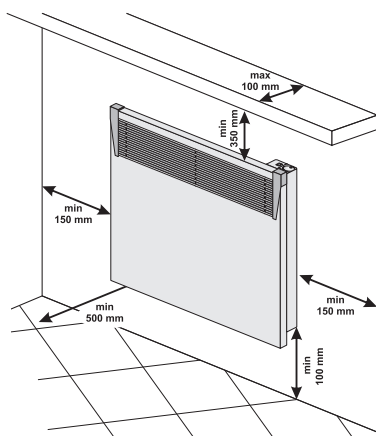
- Pēc ierīces izpakošanas pārbaudiet vai tas nav bojāts transportēšanas laikā un vai ir pilnībā nokomplektēts! Ja esat konstatējuši bojājumu vai nepilnīgu piegādi, lūdzu par to informēties Jūsu pilnvaroto pārdevēju.
- Neizmetiet oriģinālo iepakojumu! To varat izmantot uzglabāšanai un transportēšanai, lai izvairītos no ierīces bojājumiem transportēšanas laikā!
- Iepakojuma materiāls ir jāizmet piemērotās vietās! Bērni ir jāargā no spēlēm ar polietilēna iepakojumiem!

MONTĒŠANAS INSTRUKCIJA

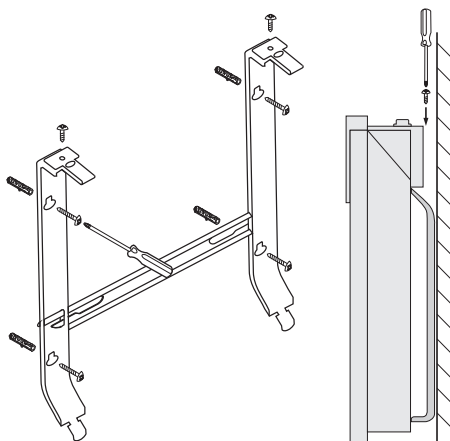
- Šis konvektors ir projektēts izmantošanai slēgtās telpās, montēšanai uz sienas.

 **Svarīgi:** Telpām, kuru tilpums lielāks par 45 m³ ir ieteicams izmantot kombināciju no 2 vai vairākiem konvektoriem

- Nenovietojiet konvektoru zem elektriskā kontakta vai elektriskās ligzdas.
- Nemontējiet/neizmantojiet konvektoru
 1. Vietās, kur ir caurvējš, lai tas neietekmē kontroles uzstādījumus
 2. Tieši zem elektriskā kontakta;
 3. Vannas istabas telpā 1 (volume 1);
 4. Telpā 2 (volume 2), ja kontroles paneli var aizsniegt cilvēks, kas atrodas dušā vai vannā;
- Konvektora montēšanai pie sienas ir jāizmanto tikai sienas skavas, kas ir piegādātas kopā ar konvektoru. Montējot konvektoru ir jāievēro minimālie attālumi no ierīces



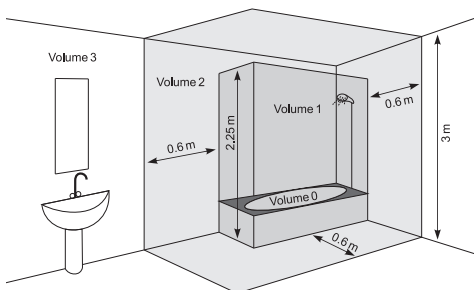
- Vispirms noņemiet sienas skavas no aizmugurējā korpusa. Atskrūvējiet divas skrūves, kas atrodas uz divām vertikālajām sliedēm uz sienas skavām. Pēc tam izvelciet sliedes augšējo daļu stipri uzspiežot abām augšējām daļām, kas atrodas aizmugurējā korpusā.



- Slidiniet uz leju sienas skavu, lai to atvienotu no aizmugurējā korpusa.
- Piestipriniet kārtīgi sienas skavu pie sienas, izmantojot četrus atvērumus priekšs skrūvēm.
- Paceliet konvektoru gandrīz līdz vertikālam stāvoklim un ievietojiet abas sienas skavu izdotās lejas daļas konvektora aizmugures vāka lejas daļas atvērumos. Pēc tam paceliet konvektoru un ievietojiet abas sienas skavu izdotās augšējās daļas konvektora aizmugures vāka augšējās daļas atvērumos. Pēc tam atgrieziet atpakaļ abas skrūves un kārtīgi tās pieskrūvējiet, lai konvektoru droši piestiprinātu pie sienas.

IZMANTOŠANA VANNAS ISTABĀ

- Konvektoram ir jābūt montētam ievērojot normālu komerciālo praksi un ievērojot attiecīgās valsts likumdošanu (ES direktīvas par elektrību un prasības speciālai monēšanai vai vietās, kas iekļauj vannas istabas, vai dušas kabīnes HD60364-7-701 (IEC 60364-7-701:2006)).



- Ja šo konvektoru izmantos vannas istabā vai līdzīgās telpās, tad ir jāievēro sekojošās instalēšanas prasības. Konvektoram ir aizsardzība IP24 (aizsardzība no apliešanas ar ūdeni). Sakarā ar to konvektors jāmontē telpā 2 (VOLUME 2) (skat shēmu tālāk tekstā) tā, lai izbēgtu pieskaršanos kontrolpanelim (slēdzim un termoregulatoram) no cilvēka, kas ir zem dušas vai ir vannā. Minimālajam attālumam no ierīces līdz ūdeņim ir jābūt ne mazāk par 1 metru un ierīcei ir jābūt montētai obligāti uz sienas! Ja neesat droši attiecībā par konvektora instalēšanu vannas istabas telpā, mēs Jums iesakām konsultēties ar profesionālu elektrotehniķi.

Piezīme: ja nevar būt izmantoti augstāk norādītie ieteikumi, tad ieteicams veikt montāžu telpā 3 (VOLUME 3)

- Mitrās telpās (vannas istabās un virtuvēs) elektības avotam ir jābūt montētam vismaz 25 cm no grīdas.
- Elektriskajai instalācijai, pie kuras ir pievienota ierīce, ir jābūt obligāti aprīkotai ar automātisko drošinātāju (aizsardzība no strāvas defektiem), kura kontaktu attālumam izslēgtā stāvoklī ir jābūt vismaz 3 mm.

EKSPLUATĀCIJAS INSTRUKCIJA

ELEKTRONISKĀ VADĪBA

Darba režīmi

LED Režīmam "Atliktais starts" / "Programmas" režīms

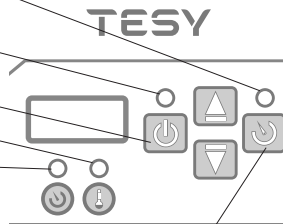
"Sildīšanas" režīma LED / Ieslēgts sildītājs

Poga ON/OFF

Temperatūras LED

Laika LED

Poga "Taimeris" "Atlikta starta" vai "Programmas" režīmu ieslēgšanai



Ieslēdziet konvektoru, nospiediet Slēdzi pozīcijā "I" (ieslēgts) $\frac{I}{O}$.

Pulksteņa uzstādīšana

Pulksteni var uzstādīt tikai izslēgtā ierīces režīmā – Jūs varat uzstādīt nedēļas tekošo dienu, stundu un minūtes.

Pulksteņa uzstādīšana notiek vienlaicīgi nospiežot ilgāku laiku pogas "ON/OFF" un "Timer". Parametrs, kuru uzstādījat, pulsē ekrānā. Uzstādīšanas parametra izvēle notiek ar ātru pogas "Timer" nospiešanu. Izešana no uzstādīšanas notiek trešo reizi ātri nospiežot pogu "Timer" (pēc minūšu uzstādīšanas).

Uzstādīšana sākas ar nedēļas dienu no 1 līdz 7, atkarībā no tā, kura ir nedēļas tekošā diena un tā tiek uzstādīta ar attiecīgo ciparu. Stundas un minūtes uz displeja tiek parādītas vienlaicīgi, un pulsē tikai izvēlētais rādītājs. Parametra vērtības izmaiņa notiek ar pogām ▲ un ▼.

Ja 10 sek laikā netiek nospiesta poga, tad tiek izziets no uzstādījuma.

„Sildīšanas” režīma ieslēgšana

Kad paneļa tipa konvektors ir izslēgts, uz ciparu displeja ir jāparādās istabas temperatūrai un deg tikai „Temperatūras LED”. Vienu reizi uzspiežot pogu **“On/Off”** pārslēdzamies uz **“Sildīšanas”** režīmu. Tad ieslēdzās sarkanā gaismas diode, kas indicē šo režīmu. Apmēram 2 sekunžu laikā uz ciparu displeja parādās uzstādītā temperatūra un šajā brīdī “Temperatūras LED” nespīd. Ja istabas temperatūra ir zemāka par uzstādīto, tad automātiski ieslēgsies sildītājs.

Kad sildītājs ir ieslēgts, sarkanās gaismas diode spīd pastāvīgi!

Temperatūras uzstādīšana

Nospiežot pogas ▲ vai ▼ tiek uzstādīts režīms **“Uzstādītās temperatūras nomainīšana”**. Displejs sāk mirgot un uz tā parādās uz šo momentu uzstādītā

temperatūra. Ar turpmāko pogu nospiešanu Jūs nomainīsiet temperatūru vēlamajā virzienā. Ja 5 sekunžu laikā nenospiedīsiet vēlreiz pogu, tad jaunais uzdevums būs saglabāts atmiņā un automātiski pārlēgsies režīmā **“Sildišana”**. Ja kādu no pogām ▲ vai ▼ turēsiet nospiešu ilgāk par 0,7 sekundēm, tad temperatūras uzliktās vērtības automātiski sāk palielināties vai samazināties ar ātrumu 4 vienības sekundē. Regulējamās temperatūras robežas ir no 10 līdz 30 grādiem.


Panela tipa konvektora „Atliktā starta” ieslēgšana.

Kad konvektors ir ieslēgts režīmā “Izslēgts”, ar pogas “Taimeris” nospiešanu varam uzstādīt laiku, pēc tam automātiski pārlēgsies režīmā “Sildišana”. Šis režīms tiek parādīts ar mirgojošu dzeltenu gaismas diodi un izslēgtu sarkano gaismas diodi. Uz ciparu displeja nomainās apkārtējās vides temperatūras vērtība, kad izgaismojās “Temperatūras LED” un atlikušo laiku stundās līdz režīma “Sildišana” ieslēgšanai, kas izgaismojās “Laika LED”. Uzreiz pēc šī režīma ieslēgšanās dzeltenā gaismas diode ieslēdzās, bet displejs sāk mirgot un uz tā parādās uzstādītais laiks stundās līdz konvektora ieslēgšanai. Vispirms uzstāda 12 stundas un ar pogu ▲ vai ▼ nospiešanu nomaina laiku vēlamajā virzienā. Ja kādu no pogām ▲ vai ▼ turēsiet nospiešu ilgāk par 0,7 sekundēm, tad uzstādītā laika vērtība automātiski sāk palielināties vai samazināties ar ātrumu 4 vienības sekundē. Ja līdz 5 sekundēm nenospiedīsiet jaunu pogu vai tiek nospiesta poga “Taimeris”, tad regulators pārlēdzās uz režīma “Atliktais starts” izpildīšanu. Ja ievada laiku 00, režīms netiks izpildīts. Ja režīms “Atliktais starts” jau tiek izpildīts un ja no jauna nospiež pogu “Taimeris”, tad var koriģēt atlikušo laiku abos iespējamajos virzienos. Pēc laika uzstādīšanas ierīce pārlēdzās režīmā “Atliktais starts”, un uz displeja parādās ne tikai temperatūra, bet arī atlikušās stundas līdz režīmam “Sildišana”. No šī režīma var iziet, ja nospiež pogu “On/Off”. Tad konvektors pāries režīmā “Sildišana”. “Atlikto startu” var uzstādīt no 01 līdz 96 stundām.

Režīma “Sildišana” izslēgšana

Izslēgt režīmu “Sildišana” var veikt nospiežot pogu **“On/Off”**. Tad sildielements izslēdzās, ja ir bijis ieslēgts pirms tam, sarkanās gaismas diode izslēdzās. Uz displeja parādās apkārtējās vides temperatūra.

“Pretsasalšanas” funkcija

Ja telpā temperatūra kritās zem 5 grādiem un konvektors ir ieslēgts (nospied sarkanā gaismas diode, bet ir ieslēgts mehāniskais slēdzis pozīcijā “I” (ieslēgts) ) , sildīdājs ieslēgsies automātiski, lai aizsargātu no aizsalšanas.



Temperatūras sensora uzstādītās temperatūras korekcija nav piemērota dotai funkcijai.

Funkcijas aktivizēšana un deaktivācija:

- funkcija ir ieslēgta ar rūpnīcas iestatījumiem
- ja vēlaties izslēgt funkciju – konvektors ir “Izslēgtā” režīmā, nospiežot trīs sekundes pogu ▲ un pogu **“On/Off”** – uz displeja sāk mirgot, “ON”, kad nospiedīsiet pogu ▼, sasniegsiet pozīciju, “OFF”, nogaidiet 3 sekundes un funkcija automātiski pāries režīmā, “OFF”.
- ja vēlaties ieslēgt funkciju - konvektors ir “Izslēgtā” režīmā, nospiežot trīs sekundes pogu ▲ un pogu **“On/Off”** – uz displeja sāk mirgot, “OFF”, kad nospiedīsiet pogu ▼, sasniegsiet pozīciju, “ON”, nogaidiet 3 sekundes un funkcija automātiski pāries režīmā, “ON”.

Funkcija – sensora temperatūras korekcija

Sakarā ar temperatūras profila specifiskāciju dažādās telpās var būt starpība starp uzrādīto temperatūru uz displeja un reāli izmērīto dažādās apsildīšanas ierīces atrašanās vietās telpā.

- Skatiet temperatūru, kuru rāda ierīces displejs
- Izmēriet temperatūru vietā, kura ir pietiekoši “komfortabla” (parasti 60 cm augstumā no grīdas, sēdošā stāvoklī). Ja ir konstatēta starpība $\pm 4^{\circ}\text{C}$ diapazonā, varat uzdot nepieciešamo korekciju konvektora izvēlnē (Svarīgs noteikums – šo funkciju varat uzstādīt tikai pēc apsildāmās telpas apsildīšanas – atkarībā no telpas veida, minimāli nepieciešamais laiks ir 7 stundas) ar iegūto starpību starp konvektora uzrādīto un izmērīto temperatūru.




Piezīme: šīs funkcijas izmantošanas mērķis ir uzlabot komfortablu temperatūru un elektriskā konvektora lietotāja enerģijas taupību telpās, kurās tas uzturās. Ja starpība ir lielāka par $\pm 4^{\circ}\text{C}$ starp izmērīto temperatūru vēlamajā telpas atrašanās vietā, tas nozīmē, ka telpa, kurā izmantojiet konvektoru, nav pietiekoši labi izolēta vai nav labi apsildīta.

Piemērs: konvektors novietots telpā uz akmens grīdas – konvektors rāda 18°C (uzstādītā 22°C), izmērītā reālā temperatūra (sajūta ka ir sasniegta komfortabla temperatūra) ir 22°C no grīdas 60 cm augstumā - > šajā gadījumā konvektors turpina vēl sildīt telpu (tas ir tiešs enerģijas zudums, bet konvektors nevar sasniegt uzstādīto temperatūru, jo temperatūru izmēra zemu pie grīdas) un tas nekad neizslēgsies. Ir nepieciešams veikt sensora temperatūras korekciju ar $+4^{\circ}\text{C}$ – un šajā gadījumā konvektors rādīs 22°C un sāks izslēgties un uzturēs uzstādīto 22°C temperatūru.

Normālais funkcijas stāvoklis ir 0°C pēc rūpnīcas iestatījuma

- ja vēlaties izmainīt rādītājus - konvektors ir „Izslēgtā” režīmā, nospiežot trīs sekundes pogu ▼ un pogu **“On/Off”** – uz displeja sāk mirgot, 0°C ... Varat nospiežot pogu ▼ vai pogu ▲, lai sasniegtu diapazonu, -4°C līdz 4°C , nogaidiet 3 sekundes un funkcija automātiski saglabāsies.

- Kad vēlaties pārbaudīt kāda korekcija ir uzstādīta - konvektors ir "Izslēgtā" režīmā, nospiežot trīs sekundes pogu ▼ un pogu "On/Off" – uz displeja sāk mirgot uzstādītā temperatūra. Varat nospiegt pogu ▼ vai pogu ▲, lai uzstādītu jaunu vērtību diapazonā no „-4°C” līdz „4°C”.

 **Piezīme:** Pēc funkcijas rūpnīcas nullēšana – ir jāuzliek no jauna temperatūras korekcija, ja rūpnīcas rādītājs ir 0°C.


Adaptīvais starts

- *adaptīvā starta kontrole tā ir funkcija, kura priekšlaicīgi nosaka un iniciē optimālo sildīšanas sākumu, lai sasniegtu uzdoto temperatūru vēlamajā laikā*
- funkcija ir ieslēgta ar rūpnīcas iestatījumiem
- ja vēlaties izmainīt rādītājus - konvektors ir "Izslēgtā" režīmā, nospiežot trīs sekundes pogu „▲” un pogu "Timer" – uz displeja sāk mirgot „A_On”, ir jānospiež „▼”; lai sasniegtu "AOFF", nogaidiet 3 sekundes un funkcija automātiski saglabāsies.
- Lai atkal atgrieztos stāvoklī „ON” - ja vēlaties izmainīt rādītājus - konvektors ir "Izslēgtā" režīmā, nospiežot trīs sekundes pogu ▲ un pogu "Timer" – uz displeja sāk mirgot „AOFF”, ir jānospiež ▼, lai sasniegtu "A_On", nogaidiet 3 sekundes un funkcija automātiski saglabāsies.

Šo funkciju uzstāda atkarība no Jūsu vajadzībām. Ierīce strādā pēc uzstādītās "komfortablās" temperatūras līdz sasniegt stabilu stāvokli 17 stundās – šī temperatūra ir referentā komfortablā temperatūra. Minimums uz 7 stundām ir jāuzstāda arī periods ar zemāku temperatūru par to kura ir uzlikta kā komfortablā ar starpību no 4°C ± 1°C. Aktivējot adaptīvo vadību – atstājiet, lai ierīces elektroniskais termoregulators strādā 4 ciklus (4 x 24 stundas), kas sastāv no komfortablās temperatūras (17 stundas) un pazeminātās temperatūras (7 stundas). Pēc pēdējā perioda pabeigšanas, komfortablā temperatūra ir jāsasniegt uzstādītajā laikā ar noslieci ±30 minūtes – ar maksimālo starpību ±1°C no referentās komfortablās temperatūras.

"Aizsardzība no bērniem"

Varat aizslēgt taustiņus, ja ilglaicīgi un vienlaicīgi nospiedīsiet bultiņu ▼ un "Taimer", lai izvairītos no izmaiņām uzstādījumos. Atkārtojiet šo darbību, lai atslēgtu taustiņus.

 **Piezīme:** Kad taustiņi ir aizslēgti un ja nospiedīsiet kādu no pogām, displejā ir jāparādās uzrakstam „LOC_”

Uzstādījumi "Nedēļas programmatorā 24/7"



leiešana "Nedēļas programmatora" uzstādījumos ir iespējams tikai tad, ja ierīcei ir uzstādīts laiks un nedēļas diena.

leiešana un iziešana no režīma uzstādījumiem notiek, ja ilgi nospiež pogu "Timer".

Uzstādījumu parametri ir trīs – nedēļas diena, laiks un uzdotā temperatūra, pārslēgšana no viena parametra uz otru notiek īslaicīgi nospiežot pogu "Timer" secībā diena, laiks, temperatūra. Uzdevuma ieraksts notiek īslaicīgi nospiežot pogu "Timer", pēc tam, kad ir uzstādīts pēdējais parametrs – temperatūra.

Katra parametra rādītāju izmaiņa notiek ar pogām ▲ un ▼.

Ierakstīšanas noteikumi

- Pēc punkta ierakstīšanas vairāk nevar veikt izmaiņas līdz iziešanai no tekošā uzstādījuma.*
- Ierakstot pirmo punktu noteiktās dienas tekošajā uzstādījumā, visi dienas punkti ir priekšlaicīgi jāizdzēš.*
- Nākošo noteiktās dienas punktu ir iespējams ierakstīt tikai stundās līdz dienas beigām, pēc pēdējā ierakstītā punkta.*
- Ierakstot dienas pēdējā stundā – 23.5h, šajā dienā vairāk nav iespējams veikt ierakstus tekošajos uzstādījumos un uz ekrāna parādās uzraksts FULL un dienas numurs.*
- Ja noteiktajā dienā netiek veikti nekādi ieraksti tekošajos uzstādījumos, tad tajā saglabājās esošie ieraksti līdz tekošajiem uzstādījumiem.*

Uzstādījumu mērķis ir ierakstīt visus trīs parametrus tā sauktajos atbalsta punktos (SET POINTS), un uzdotā temperatūra katrā atbalsta punktā tiek izpildīta līdz nākošai uzdotai temperatūrai.

Piemērs: Ja noteiktajā dienā esat veikuši ierakstu plkst. 7 ar temperatūru 22°C, un vēlaties lai tā paliek tāda pati līdz plkst 19 (un tad plānojat lai paliek 23°C), nav nepieciešams ierakstīt vienu pēc otras visas stundas līdz plkst. 19, bet vienīgi ir jāieraksta temperatūru 22°C plkst. 7 un temperatūru 23°C plkst. 19. Sāpomatami, ka laika periodā (no 7 līdz 19) temperatūra būs 22°C.

Katra punkta ierakstīšanas mehānisms ir sekojošais:

Pēc ieešanas uzstādījumos uz ekrāna parādās uzraksts dAY1, cipars mirgo, tas nozīmē, ka tas ir parametrs, kurš ir jāuzstāda (šajā gadījumā nedēļas diena).

- Ar pogām ▲ un ▼ izvēlieties vēlamo dienu*
- Ar īslaicīgu pogas "Timer" nospiešanu parejam uz laika uzstādīšanu*
- Ar pogām ▲ un ▼ izvēlamies punkta vēlamo stundu (solis 0,5h)*
- Ar īslaicīgu pogas "Timer" nospiešanu parejam uz temperatūras uzstādīšanu*
- Ar pogām ▲ un ▼ izvēlamies punkta vēlamo temperatūru. Iespējamā temperatūra ir no 10 līdz 30°C un izslēgts stāvoklis OFF.*

- f. Ar īslaicīgu pogas "Timer" nospiešanu veic punkta ierakstīšanu un pārīet uz nākošo punktu (ekrānā atkal parādās uzraksts dAYX) un pārīet uz paragrāfu a) lai ierakstītu nākošo punktu.
- g. Ierakstot dienas pēdējā stundā – 23.5h, šajā dienā vairāk nav iespējams veikt ierakstus tekošajos uzstādījumos un uz ekrāna parādās uzraksts FUL un dienas numurs.



UZMANĪBU: Noteiktā dienā punktus var ierakstīt tikai augošā stundu secībā.



Info: Pirms paragrāfa f) izpildīšanas operators var atgriezties līdz paragrāfam a), lai koriģētu punkta visus trīs parametrus, viegli nospiežot pogu **ON/OFF**, neveicot ierakstu atmiņā.

Punktu pierakstīšanu dotajā dienā var veikt patvaļīgi, pēc punktu ierakstīšanas citās dienās, bet tikai ievērojot noteikumu par dienas stundām augošajā kārtībā.

Iziešana no uzstādījumiem notiek ar ilglaicīgu pogas "Timer" nospiešanu vai nogaidot 30 sek.

Pēc izešanas no uzstādījumiem ir iespēja pārskatīt ierakstītos punktus ar pogu ▲ un ▼ palīdzību, ja ierīce ir programmas režīmā.



Piezīme: Pēc ieslēgšanas ierīce pariet režīmā (sildīšana vai programmas), kādā pirms tam ir strādājis.



Piezīme: Pārslēgšana uz darba režīmu (sildīšana vai programmas), ar ātru pogas **Timer** nospiešanu ieslēgtā stāvoklī.

"Nullēšanas" funkcija līdz rūpnīcas iestatījumiem

Kad konvektors ir režīmā „Izslēgts”, uz sešām sekundēm jānospiež vienlaicīgi pogas ▲ un ▼ – pēc tam displejs sāk mirgot „_ _ _ _” un sāk parādīties simboli. Kad tiek "nullēts", uz displeja redzēsiet izmērīto telpas temperatūras rādītāju.

Pēc "nullēšanas" funkcijas izmantošanas, ir jāuzstāda zemāk norādītās funkcijas:

- jāuzstāda pulkstenis
- uzstādiat temperatūras korekcijas vērtību (ja ir nepieciešams)
- deaktivējiet Pretaizsalšanas režīma funkciju (ja ir nepieciešams)
- deaktivējiet adaptīvo startu (ja ir nepieciešams)
- nedēļas programmu - 24/7

Ja elektriskais konvektors izslēgsies no barojošā tīkla, tas nemainīs darba režīmu un uzstādīto temperatūru, kura ir bijusi pirms tā izslēgšanas. Ja piemēram pirms izslēgšanas ir bijis uzstādīts režīms "Sildīšana", tad pēc ieslēgšanas atkal strādās šajā režīmā ar tādu pašu uzstādīto temperatūru.



Princips, kurš ir pamatā elektriskajam konvektoram ar enerģijas neatkarīgu atmiņu, ir tas, ka tas saglabā uzstādījumus ar garantiju 90 minūtes un bez garantijas 150 minūtes.

Kad temperatūra telpā ir zemāka par to, kuru Jūs esat iestatījuši ar elektronisko termoregulatoru, konvektors sāk strādāt un strādās līdz tam laikam, kamēr istabas temperatūra sasniegs uzdoto rādītāju. Ja temperatūra istabā ir lielāka par uzstādīto ar termoregulatoru temperatūru, konvektors automātiski pārslēgsies režīmā "Gatavs ieslēgšanai".

Uzrādītā informācija uz displeja

Indikācijas rādītāji, ja mēs neveicam uzstādījumus:

- a. **Izslēgtā režīmā** – secībā tiek uzrādīti:
 - pulkstenis (stunda un minūtes)
 - izmērīta istabas temperatūra
- b. **Sildīšanas režīmā** – uzrāda izmērīto istabas temperatūru
- c. **Programmas režīmā** - secībā uzrāda:
 - nedēļas dienu, apakšsvītra un izmērīto temperatūru. 6_22
 - nedēļas dienu, apakšsvītra un mirgojošo uzstādīto programmu temperatūru (uzdoto uz tekošo stundu), kura var būt arī simbols OFF. 6_23
- d. **Pieslēdzot konvektoru barojošajam tīklam, uz displeja ir attēlots:**
 - svītriņas "----", ja atslēdzot no tīkla tas ir bijis izslēgtā stāvoklī.
 - svītriņas "----", kuras pēc 2 sekundēm ir aizvietotas ar dotā momenta temperatūru, ja ja atslēdzot no tīkla tas ir bijis ieslēgtā stāvoklī.
- e. **Divi cipari (01÷96) kombinācijā ar mirgojošo dzeltenu gaismas diodi, kas rāda atlikušo laiku stundās līdz atliktajam startam, ja atslēdzot no strāvas konvektors ir bijis režīmā "Atliktais starts".**
- f. **Ar mērķi papildus elektroenerģijas ekonomijai, elektroniskais termoregulators samazina visu indikatoru spīdēšanas stiprumu. Nospiežot vienlga kādu no pogām, 8 sekundes spīdēšanas stiprums palielinās, bet pēc tam atkal samazinās.**
- g. **Ja uz displeja parādās "t0" vai "t1", tas nozīmē, ka pašdiagnoticēšanas sistēma ir atklājusi problēmu termosensorā. "t0" ja ir pārtraukts sensora kabelis, bet "t1" ja pie sensora ir issavienojums. Šajā gadījumā konvektors izslēgsies un atkārtotā tā ieslēgšana ir iespējama tikai pēc defektu likvidēšanas. Bojājums ir jānovērš tikai kvalificētam speciālistam.**
- h. **Pieslēdzot barojošam tīklam, 2 sekunžu laikā uz displeja parādās svītriņas "----" temperatūras vai laika vieta.**

- i. Kad uz ciparu displeja parādās temperatūra, tad iedegās "Temperatūras LED", kad uz displeja ir atliktā starta laiks, tad iedegās "Laika LED".

AIZSARDZĪBA

- Ierīce ir apgadāta ar drošības termoslēdzi, kas automātiski izslēdz sildītāju gadījumos, kad konvektora temperatūra pārsniedz pieļaujamās temperatūras vērtības /tā saucamā ierīces pārkaršana/.
- Drošības termoslēdzis automātiski atjaunos konvektora darbu, tikai tad, kad ierīces temperatūra kritīsies zem pieļaujamajām temperatūras vērtībām.

KOPŠANA

- Vispirms izslēdziet ierīci ar slēdzi un izslēdziet barojošo vadu no tīkla. Pirms konvektora tīrīšanas, atstājiet, lai tas atdziest.
- Konvektors var būt notīrīts ar minimālu piepūli aizmugurējā tā daļā – vienkārši nospiediet „P”-veida skavas /fig.2/ ierīces aizmugurē, tādā veidā atbrīvojot un notīrot tā aizmugurējo daļu.
- Slaukiet korpusu ar mīkstu un mitru lupatiņu, izmantojiet putekļsūcēju vai birzti.
- Nekad nelieciet ierīci ūdenī. Pastāv bīstamība dzīvībai no strāvas sitiena!
- Nekad neizmantojiet tīrīšanai benzīnu, šķīdinātājus vai rupjus abrazīvus tīrīšanas līdzekļus, tie sabojās ierīces segumu.

UZGLABĀŠANA

- Pirms konvektora iepakojšanas, atstājiet, lai tas atdziest
- Izmantojiet oriģinālo iepakojumu ierīces saglabāšanai, ja to neizmantosiet zināmu laiku. Ierīce būs pasargāta no putekļiem un būs tīra, ja to uzglabāsiet oriģinālā iepakojumā.
- Nekad nelieciet siltu ierīci tās iepakojumā!
- Nepieciešams ierīci uzglabāt sausā un aizsargātā no tiešiem saules stariem vietā.
- Uzsveram, ka nedrīkst ierīci uzglabāt mitrās un slapjās telpās.

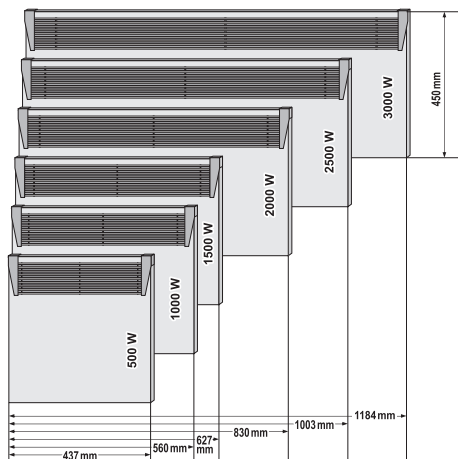
IERĪCES SERVISA APKALPOŠANA

- Ja ierīce nestrādā, lūdzu sazinieties ar vistuvāko Jums sertificēto servisu /tie ir norādīti izstrādājuma garantijas kartē/
- **Svarīgi:** Reklamācijas un/vai Jūsu patērētāja tiesību neievērošanas gadījumā, lūdzu sazinieties ar šīs ierīces piegādātāju uz norādītajām adresēm vai uzņēmuma mājas lapā: www.tesy.com

IERĪCES IZMĒRI, Telpas apkures tilpums un PLATĪBA

Modelis	Apkures tilpums	Apkures platība
CN 03 050 EIS W - 500W	10* - 15 m ²	4* - 6 m ²
CN 03 100 EIS W - 1000W	20* - 30 m ²	8* - 12 m ²
CN 03 150 EIS W - 1500W	30* - 45 m ²	12* - 18 m ²
CN 03 200 EIS W - 2000W	40* - 60 m ²	16* - 24 m ²
CN 03 250 EIS W - 2500W	50* - 70 m ²	20* - 28 m ²
CN 03 300 EIS W - 3000W	60* - 80 m ²	24* - 32 m ²

* Minimālais garantētais apkures tilpums (platība)apkurei pie vidējā siltumapgādes koeficienta $\lambda=0.5 \text{ W}/(\text{m}^2\text{K})$ apsildāmajā telpā. Augstākās vērtības apsildāmajam tilpumam (platībai) tiek sasniegtas pie vidējās $\lambda=0.35 \text{ W}/(\text{m}^2\text{K})$ vērtības. Standartais telpas augstums ir – 2.5 metri.



UZMANĪBU: Lai izvairītos no iekārtas pārkaršanas, neapsedziet to.



Norādījumi apkārtējās vides aizsardzībai

Vecās elektroierīces satur vērtīgus materiālus, tāpēc neizmetiet tos kopā ar sadzīves atkritumiem! Lūdzam Jūs sadarboties apkārtējās vides resursu aizsardzībā un lūdzam nogādāt ierīci organizētajos uzpirkšanas punktos (ja tādi ir pieejami).

2. TABULA INFORMĀCIJAS PRASĪBAS ELEKTRISKAJĒM LOKĀLAJĒM TELPU SILDĪTĀJIEM

Modeļa identifikators(-i): 1.CN03 050 EIS W; 2.CN03 100 EIS W; 3.CN03 150 EIS W; 4.CN03 200 EIS W; 5.CN03 250 EIS W; 6.CN03 300 EIS W 230V~ 50Hz

Pozīcija	Apzīmējums	Vērtība 1	Vērtība 2	Vērtība 3	Vērtība 4	Vērtība 5	Vērtība 6	Vienība	Pozīcija	Vienība
Siltuma jauda									Siltuma pievades tips, tikai elektriskajiem siltumakumulācijas lokālajiem telpu sildītājiem (izvēlēties vienu)	
Nominālā siltuma jauda	P_{nom}	0.50	1.00	1.50	2.00	2.50	3.00	kW	manuāls siltumapgādes regulators ar integrētu termostatu	[nē]
Minimālā siltuma jauda (indikativ)	P_{min}	0.00	0.00	0.00	0.00	0.00	0.00	kW	manuāls siltumapgādes regulators ar informācijas pievadi par telpas un/vai ārējo temperatūru	[nē]
Maksimālā nepārtrauktā siltuma jauda	$P_{max,C}$	0.50	1.00	1.50	2.00	2.50	3.00	kW	elektronisks siltumapgādes regulators ar informācijas pievadi par telpas un/vai ārējo temperatūru	[nē]
Papildu elektroenerģijas patēriņš									siltuma jaudas regulēšana ar ventilatoru	[nē]
Pie nominālās siltuma jaudas	$e_{l,max}$	0.43	0.93	1.44	1.91	2.45	2.91	kW	Siltuma jaudas/telpas temperatūras regulēšanas tips (izvēlēties vienu)	
Pie minimālās siltuma jaudas	$e_{l,min}$	0.00	0.00	0.00	0.00	0.00	0.00	kW	vienpakāpes siltuma jauda bez telpas temperatūras regulēšanas	[nē]
Gaidstāves režīmā	$e_{l,SB}$				0.00033			kW	manuāla divpakāpju vai daudzpakāpju siltuma jauda bez telpas temperatūras regulēšanas	[nē]
									ar mehānisku termostatu un telpas temperatūras regulēšanu	[nē]
									ar elektronisku telpas temperatūras regulēšanu	[nē]
									ar elektronisku telpas temperatūras regulēšanu un diennakts taimerī	[nē]
									ar elektronisku telpas temperatūras regulēšanu un nedēļas taimerī	[jā]
									Citi vadības veidi (var izvēlēties vairākus)	
									telpas temperatūras regulēšana ar klātbūtnes detektēšanu	[nē]
									telpas temperatūras regulēšana ar atvērta loga detektēšanu	[nē]
									ar tālvadības funkciju	[nē]
									ar adaptīvu palaišanas vadību	[jā]
									ar darbības laika ierobežojumu	[nē]
									ar siltuma starojuma sensoru melns lodes formā	[nē]

TESY Ltd
48 Madara Blvd,
Shumen, 9700,
Bulgaria

! Прочитайте цю інструкцію перед використанням цього приладу і дотримуйтесь вказівок інструкції при його майбутньому використанні. В разі зміни власника, інструкція повинна передаватися разом з приладом.

Дякуємо Вам за те, що Ви вибрали конвектор CN03. Цей прилад забезпечує опалення взимку в залежності від потреби досягнення комфортного тепла в опалювальному приміщенні. При правильній експлуатації та догляді, згідно вказівок даної інструкції, цей пристрій гарантує Вам багато років години корисного функціонування.

ВАЖЛИВІ ЗАПОБІЖНІ ЗАХОДИ ТА ІНСТРУКЦІЇ ПО ТЕХНІЦІ БЕЗПЕКИ:

! Дітей, віком до 3 років, тримайте на віддалі від пристрою, крім випадків, коли вони знаходяться під постійним наглядом.

Діти, віком від 3 років до 8 років, можуть лише використовувати кнопку ввімкнуту/вимкнути пристрою, при умові, що пристрій встановлений і готовий для нормальної роботи, під наглядом дорослих та інструкцією, щодо використання приладу безпечним чином, і розуміючи, що може бути небезпечно.

Діти, віком від 3 років до 8 років, не повинні вмикати прилад у розетку, налаштовувати прилад, виконувати його очищення або сервісну підтримку користувачів.

Цей прилад може використовуватись дітьми старшими 8 років та особами з обмеженими фізичними, сенсорними або розумовими здібностями, або з недостатнім досвідом та знаннями, якщо вони спостерігали або були проінструктовані щодо безпечного використання приладу і розуміють небезпеки. Діти не повинні гратися з приладом. Очищення або сервісна підтримка користувачів не повинні проводитись дітьми без нагляду дорослих.

! Деякі частини цього виробу можуть стати дуже гарячими та призвести до опіків. Якщо є присутні діти і вразливі люди, необхідно приділяти особливу увагу.

- Перед вмиканням приладу – перевірте чи вказана на типовій табличці напруга відповідає напрузі живлення, що постачається до Вашого будинку.
- Цей прилад повинен використовуватися тільки за призначенням, для якого був передбачений, тобто для обігріву побутових приміщень. Прилад не призначений для використання в комерційних цілях. Будь яке інше використання вважається неправильним і тому небезпечним. Виробник не може нести відповідальності за пошкодження, що випливають з неправильного і необгрунтованого використання. Недотримання інформації про безпечне використання робить гарантію на прилад недійсною!
- Не виходьте з дому, поки прилад працює: виходячи з дому переконайтеся, що ручка вимикача знаходиться у вимкненому положенні (відноситься до конвекторів з механічним приводом).
- Тримайте легкозаймисті предмети, такі як меблі, подушки, постільна білизна, папір, одяг, штори, тощо, на відстані принаймні 100 см від конвектора.
- Не використовуйте прилад, де використовуються або зберігаються легкозаймисті речовини (наприклад: в безпосередній близькості від легкозаймистих газів або аерозолів) - існує дуже велика небезпека виникнення вибуху та пожежі!
- Не вставляйте і не дозволяйте, щоб сторонні тіла потрапляли в отвори для вентиляції (вхідні або вихідні), так як це може викликати ураження електричним струмом, пожежу або пошкодження конвектора.

- Прилад не підходить для догляду за тваринами, а призначений тільки для домашнього використання!
- Не закривайте захисні решітки, не зупиняйте вхід та вихід повітряного потоку, ставлячи прилад під будь-яку поверхню. Всі предмети повинні бути на відстані як мінімум 1 метр від приладу спереду, зверху і з боків.
- Найбільш поширеною причиною перегрівання є скупчення моху і пилу в приладі. Регулярно очищуйте пилоососом вентиляційні отвори, а перед цим обов'язково відключіть прилад з електричної мережі.
- Ніколи не чіпайте прилад мокрими або вологими руками - існує небезпека для життя!
- Розетки повинні бути доступні в будь-який час для того, щоб можна було вимкнути при необхідності якомога швидше!
- Ніколи не тягніть за шнур живлення або за сам прилад при виключенні з мережі.
- Зверніть увагу! Відпрацьоване повітря нагрівається під час роботи (до вище 100°C).
- Якщо шнур живлення цього приладу пошкоджений, зупиніть його використання і зв'яжіться з постачальником/продавцем для додаткових інструкцій.
- Якщо ви вирішили перестати використовувати прилад цього типу, рекомендується зробити його непридатним для використання, шляхом відрізання шнура живлення, після того як ви його відключили від мережі. Рекомендується ще уникнути всі можливі небезпечні деталі приладу, особливо ті, що діти могли б використовувати з амортизованого приладу для гри.
- Прилад не повинен бути розміщений безпосередньо під гніздом розетки!
- Увага: Не використовуйте цей прилад з програматором, лічильником або іншим пристроєм, що автоматично його вмикає, тому що коли прилад покритий або неправильно встановлений, при автоматичному вмиканні може виникнути пожежа.
- Вставте шнур живлення так, щоб не заважав руху людей і не було можливості спіткнутися в нього! Використовуйте тільки затверджені подовжувачі, які підходять для приладу, тобто мають знак відповідності!
- Ніколи переміщайте прилад, тягнучи за шнур і не використовуйте шнур для перенесення предметів!
- Не перегинайте шнура живлення і не тягніть його, перегнувши через гострі краї і не притуляйте його до гарячої поверхні та не приближайте до відкритого вогню!

УПАКОВКА


- Після розпакування приладу, перевірте, чи при транспортуванні він не пошкодився і чи має повну комплектність! У разі, якщо буде встановлено

пошкодження або неповна комплектність, зв'яжіться з Вашим офіційним продавцем!

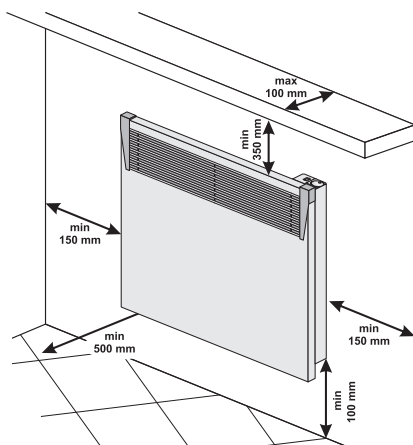
- Не викидайте оригінальну коробку! Вона може бути використана для зберігання і транспортування, щоб уникнути пошкоджень в разі перевезення!
- Викидання пакувального матеріалу має бути зроблено належним чином! Остерігайтесь щоб діти не гралась з поліетиленовими мішками!

ІНСТРУКЦІЯ З МОНТАЖУ

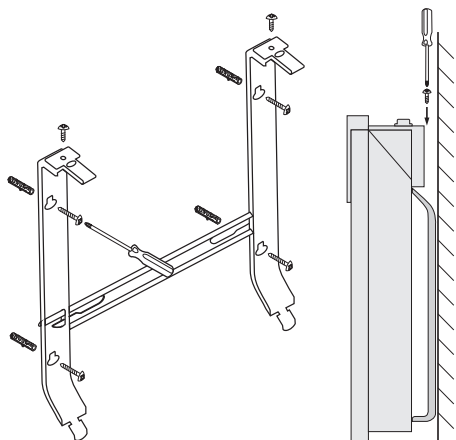
- Цей конвектор спроектований для використання в закритих приміщеннях, встановленим на стіну.

 **Важливо:** В приміщеннях з об'ємом більше 45 м³ доцільно використовувати 2 і більше конвекторів

- Не ставте конвектора під електричною розеткою або під сполучною коробкою.
- Не встановлюйте/використовуйте конвектора
 1. в місці, де є потяг, щоб не впливав на керуючі параметри;
 2. безпосередньо під електричною розеткою;
 3. в приміщенні 1 (volume 1) ванної кімнати;
 4. в приміщенні 2 (volume 2) так, що панель управління може бути доступна тому, хто перебуває у ванній або в душі;
- Для встановлення конвектора на стіні необхідно використовувати тільки настінні кронштейни, що поставляються разом з конвектором. При установці конвектора необхідно дотримуватися мінімальних відстаней від приладу.



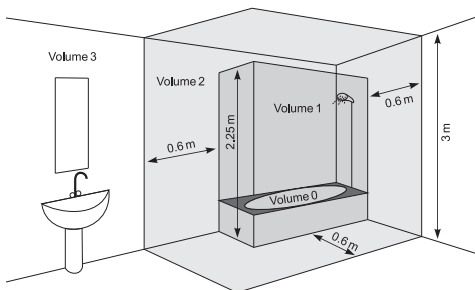
- Спочатку зніміть настінні кронштейни з заднього корпусу. Відкрутіть обидва гвинти, розташовані у верхній частині на обох вертикальних шинах на стінних кронштейнах. Потім того витягніть верхню частину на шини натиснувши сильно обидві верхні частини, заправлені в задній корпус



- Посуньте вниз стінного кронштейна, щоб від'єднати його від заднього корпусу.
- Прикріпіть щільно до стіни стінного кронштейна, зробивши чотири отвори для гвинтів.
- Підніміть конвектора майже у вертикальне положення і вставте обидві нижні виступаючі частини стінних кронштейнів в обидві нижні канавки на задній панелі конвектора. Потім підніміть конвектора і вставте обидві верхні виступаючі частини стінних кронштейнів в обидві верхні канавки на задній панелі конвектора. В кінці поверніть їх на свої місця і затягніть обидва гвинти, щоб закріпити міцно конвектора на стіні.

ВИКОРИСТОВУВАННЯ У ВАННІЙ КІМНАТІ

- Конвектор повинен бути встановлений відповідно до звичайної комерційної практики, і згідно до законодавства відповідної країни (директиви по електроенергії і вимогам ЄС для спеціальних установок або місць, включаючи ванну кімнату або душ kabіни HD60364-7-701 (IEC 60364-7-701:2006)).



- Якщо цей конвектор використовується у ванній кімнаті або інших подібних приміщеннях, то повинні бути дотримані наступні вимоги для установки: Конвектор повинен мати захист IP24 (захист від бризок води). В цьому випадку він повинен бути встановлений в приміщенні 2 (volume2) (див. схему нижче) таким чином, щоб уникнути можливості досягнути панель управління (вимикача і термостата) конвектора людині, яка знаходиться у ванній або під душем, Мінімальна відстань від пристрою до води повинна бути не менше одного метра і крім того прилад обов'язково повинен бути встановлений на стіні! Якщо ви не впевнені щодо установки цього приладу у ванній кімнаті, ми рекомендуємо вам проконсультуватися з професійним електриком.

Примітка: якщо вище вказані умови не можуть бути виконані, ми рекомендуємо установку зробити в приміщенні 3 (VOLUME 3)

- У вологих приміщеннях (ванних кімнатах та кухнях) джерело живлення повинне бути встановлено на висоті мінімум 25 см від підлоги
- Установка повинна бути оснащена автоматичним запобіжником, при якому відстань між контактами у вимкненому стані повинно бути не менше 3 мм.

ІНСТРУКЦІЯ З ЕКСПЛУАТАЦІЇ

ЕЛЕКТРОННЕ УПРАВЛІННЯ

Режими роботи

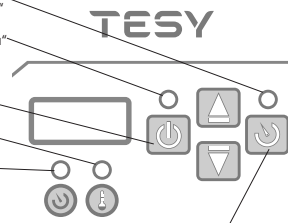
LED Режим для „Відкладеного запуску“ / Режим „Програма“

LED для режиму „Нагрівання“ / Вимкнений обігрівач

Кнопка ON/OFF

LED для температури

LED для часу



Кнопка „Таймер“ для ввімкнення режиму „Затримка запуску“ або режим „Програма“

Увімкніть конвекторіт, натисніть кнопку вимикача в положення „I“ (Ввімкнено)

Налаштування годинника

Налаштування годин можливе тільки в режимі Вимкнуто – налаштування поточного дня тижня, годин і хвилин.

Вхід в режим налаштування годин стає одночасним тривалим натиском кнопки „ON/OFF“ та „Timer“. Параметр, що регулюється, пульсує на дисплеї.

Вибір параметра для налаштування виконується коротким натиском кнопки „**Timer**“. Вихід з режиму налаштування виконується шляхом третього короткого натискання кнопки „**Timer**“ (після налаштування хвилини).

Налаштування починається з дня тижня від 1 до 7 в залежності, від того, який під ряд є поточний день тижня і налаштовується шляхом вибору відповідної цифри. Години та хвилини відображаються одночасно на екрані, при чому пульсує тільки параметр для налаштування. Зміна значення параметра здійснюється за допомогою кнопок ▲ і ▼.

Якщо до 10 сек не натиснете на відповідну кнопку – відбудеться вихід з режиму налаштування.

Ввімкнення режиму „Нагрівання“

Коли панельний конвектор вимкнений цифровий дисплей повинен показувати температуру повітря в приміщенні і висвічується тільки „LED температури“.

При одноразовому натисканні кнопки „**On/Off**“ вмикається режим **Підігріву**. Тоді вмикається червоний світлодіод, що показує цей режим. Протягом 2 секунд на цифровому дисплеї виводиться налаштована температура і в цей час, „LED температури“ не висвічується. Якщо температура в приміщенні нижча, ніж налаштована, нагрівач автоматично вмикається.

Червоний світлодіод постійно горить, коли нагрівач ввімкнений!

Налаштування температури

Натиснувши на одну з кнопок ▲ або ▼, виконується перехід в режим „Зміна заданої температури“. Дисплей починає блимати і на ньому відображається вибрана в даний момент температура. Наступними натисканнями відповідних кнопок виконується зміна налаштування в потрібному напрямку. Якщо протягом 5 сек. не буде натиснута нова кнопка, то дане налаштування запам'ятовується, і автоматично виконується перехід в режим „Нагрів“. Якщо якусь з кнопок ▲ або ▼ утримати довше 0.7 сек., значення заданої температури починає автоматично відповідно збільшуватись або зменшуватись, зі швидкістю 4 одиниці в секунду. Межі регулювання температури від 10 до 30 градусів.

„Відкладений пуск“ ввімкнення панельного конвектора.

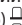
Коли конвекторіт знаходиться в режимі „Вимкнено“, при натисканні на кнопку „Таймер“ дозволяється введення часу, після чого автоматично виконується перехід в режим „Нагрівання“. Цей режим показується миготінням жовтого світлодіоду при вимкненому червоному світлодіоду. На цифровому

дисплеї будуть чергуватися висвічування температури навколишнього середовища, коли горить „LED температури“, і решта часу в годинах до включення режиму „Нагрів“, коли горить LED часу“. Відразу після ввімкнення цього режиму, жовтий світлодіод починає світитися, а на дисплеї починає мигати введений час в годинах до ввімкнення конвектора. Спочатку налаштовано на 12 годин і за допомогою кнопок ▲ або ▼ час змінюється в потрібному напрямку. Якщо якусь з кнопок ▲ або ▼ утримати довше 0.7 сек., значення заданого часу починає автоматично відповідно збільшуватись або зменшуватись, зі швидкістю 4 одиниці в секунду. Якщо протягом 5 сек. не буде натиснута нова кнопка або буде натиснута кнопка „Таймер“, регулятор переходить до реалізації режиму „Відкладений пуск“. Якщо ввести час 00, режим не працює. Якщо вже працює режим „Відкладений пуск“ і ще раз натиснути кнопку „Таймер“, можете змінити час, що залишився в обох можливих напрямках. Після налаштування часу виконується перехід в режим „Відкладений пуск“, а на дисплеї крім температури, відраховується решта годин до переходу в режим „Нагрівання“. З цього режиму можна вийти, натиснувши кнопку „**On/Off**“. Тоді конвектор переходить в режим „Нагрівання“. „Відкладений пуск“ може бути налаштовуватись на період від 01 до 96 годин.

Вимикання режиму „Нагрівання“

З режиму „Нагрівання“ можна вийти, натиснувши на кнопку „**On/Off**“. Потім нагрівач вимикається, якщо був включений до цього, гасне червоний світлодіод. На дисплеї продовжує відображатися температура в приміщенні.

Функція „Проти замерзання“

Якщо температура в приміщенні опускається нижче 5 градусів і конвектор вимкнений (не горить червоний світлодіод, але Механічний вимикач ввімкнений в положенні „I“ (Ввімкнено) ) , автоматично вмикається нагрівач для захисту від замерзання.



Налаштування температурної корекції температурного датчика не відноситься до цієї функції.

Ввімкнення та вимкнення функції:


- функція ввімкнена за фабричним налаштуванням
- якщо ви бажаєте вимкнути цю функцію - конвектор знаходиться в режимі „Вимкнено“, натиснувши на кнопку ▲ і кнопку „**On/Off**“ протягом трьох секунд на дисплеї починає мигати „ON“, натиснувши на кнопку ▼, ви досягнете позицію „OFF“, почекайте 3 секунди і функція автоматично перейде в режим „OFF“.

- якщо ви бажаєте ввімкнути цю функцію - конвектор знаходиться в режимі „Вимкнено“, натиснувши на кнопку ▲ і кнопку „On/Off“ протягом трьох секунд на дисплеї починає мигати „OFF“, натиснувши на кнопку ▼, ви досягнете позицію „ON“, почекайте 3 секунди і функція автоматично перейде в режим „ON“.

Функція температурної корекції датчика

По причині специфіки температурного профілю в різних приміщеннях може спостерігатися відмінна від показаної на дисплеї температура і реально виміряна в різних точках знаходження опалювального приладу в кімнаті.

- Подивіться яка температура відображається на дисплеї приладу
- Виміряйте температуру в місці, де температура є достатньо «комфортною» для Вас (як правило, на висоті близько 60 см від підлоги, у положенні сидячи). При встановленій різниці в діапазоні $\pm 4^{\circ}\text{C}$, ви можете встановити потрібну корекцію в меню конвектора (Важлива умова – функцію можна настроїти тільки після нагрівання опалюваного приміщення – в залежності від типу приміщення потрібно не менше - 7 годин) з отриманою різницею між показанням конвектора і виміряною температурою.

 **Примітка:** ця функція використовується з метою більш ефективного температурного комфорту та енергозбереження для користувача електричного конвектора, в кімнаті, де він знаходиться. Більша різниця, ніж $\pm 4^{\circ}\text{C}$ з виміряною температурою в потрібному місці в кімнаті, означає, що в кімната, де використовується конвектор не добре ізольована чи погано нагрівається.


Наприклад: конвектор поставлений в приміщення на кам'яну підлогу – конвектор показує 18°C (при заданій температурі 22°C), вимірюється реальна температура (відчуття досягнення комфортної температури) 22°C на висоті від підлоги 60см - > в цьому випадку, конвектор продовжує перегрівати приміщення (це пряма втрата енергії, але конвектор не може досягти заданої температури тому, що він вимірює температуру низько до підлоги) і ніколи не вимикається. Потрібно задати температурну корекцію $+4^{\circ}\text{C}$ на датчику – в цьому випадку конвектор буде показувати 22°C і почне вимикатися – і таким чином буде підтримувати задану температуру 22°C)

Нормальний стан функції - 0°C , згідно фабричного налаштування

- якщо ви бажаєте змінити це значення - конвектор знаходиться в режимі „Вимкнено“, натиснувши на кнопку ▼ і кнопку „On/Off“ протягом трьох секунд на дисплеї починає мигати „ 0°C “. Ви

можете натиснути на кнопку ▼ або кнопку ▲, щоб досягти діапазону від „ -4°C “ до „ $+4^{\circ}\text{C}$ “, почекайте 3 секунди і функція зберігається автоматично.

- Коли ви хочете перевірити, яка корекція була встановлена - конвектор знаходиться в режимі „Вимкнено“, натиснувши на кнопку ▼ і кнопку „On/Off“ протягом трьох секунд на дисплеї починає мигати задана температура. Ви можете натиснути на кнопку ▼ або кнопку ▲, щоб встановити нове значення в діапазоні від „ -4°C “ до „ $+4^{\circ}\text{C}$ “.

 **Примітка:** Після функції заводського встановлення нуля – потрібно знову встановити корекцію температури, фабричне значення 0°C .


Адаптивний пуск

- адаптивний стартовий контроль це функція, яка передбачає і оптимально ініціює початок нагріву для досягнення заданої температури в потрібний час
- функція встановлена на фабричні налаштування
- якщо ви бажаєте змінити значення - конвектор знаходиться в режимі „Вимкнений“, натиснувши на кнопку „▲“ і кнопку „Timer“ протягом трьох секунд на дисплеї починає мигати „A_On“, потрібно натиснути на кнопку „▼“, щоб досягти „A OFF“, почекайте 3 секунди і функція збережеться автоматично.
- Для того, щоб знову повернутися у стан „ON“ - конвектор знаходиться в режимі „Вимкнений“, натиснувши на кнопку ▲ і кнопку „Timer“ протягом трьох секунд на дисплеї починає мигати „A OFF“, потрібно натиснути на кнопку ▼, щоб досягти „A_On“, почекайте 3 секунди і функція збережеться автоматично.


Ця функція регулюється у відповідності з Вашими потребами. Прилад працює за налаштованою температурою „комфорт“ для досягнення стабільного стану 17 годин – ця температура є референтною комфортною температурою. Встановлюється і період з нижчою температурою не менше 7 годин, від тієї, що встановлена як комфортна, з різницею $4^{\circ}\text{C} \pm 1^{\circ}\text{C}$. При активному адаптивному управлінні - залиште електронний терморегулятор приладу, щоб працював протягом 4 циклів (4 x 24 години) на циклах „комфорт“ (17 годин) і на нижчій температурі (7 годин). Після завершення останнього періоду зниження, температура комфорту повинна бути досягнута в межах ± 30 хвилин відхилення від встановленого часу - з максимальною різницею $\pm 1^{\circ}\text{C}$ від референтної комфортної температури.

“Захист від дітей”

Ви можете заблокувати кнопки, за допомогою тривалого одночасного натискання стрілок: ▼ і „Таймер”, щоб запобігти зміни налаштувань. Повторіть ту саму дію, щоб розблокувати кнопки.

 **Примітка:** Коли клавіатуру заблоковано, натисніть кілька кнопок, дисплей повинен показати напис „LOC_”

Налаштування „Тижнева програма 24/7”

 Вхід в режим „Тижнева програма” можливий тільки тоді, коли на приладі встановлені час і день тижня.

Вхід в режим і вихід з нього виконуються шляхом тривалого натискання кнопки „Timer”.

Параметрів для налаштування є три – день тижня, час та температура, при чому зміна всіх трьох параметрів виконується шляхом короткого натискання на кнопку „Timer” в послідовності день, година, температура. Зберігання налаштування здійснюється шляхом короткого натискання на кнопку „Timer”, після установки останнього параметра – температури.

Зміна значення кожного параметра відбувається за допомогою кнопок ▲ і ▼.

Умови для зберігання

- Після зберігання в даній точці більше не можуть робитися зміни до виходу з поточного налаштування.
- Для зберігання першої реперної точки для даного дня з поточним налаштуванням, всі точки цього дня попередньо очищаються.
- Зберігання наступних точок у визначений день можливе тільки протягом годин, що лишилися до кінця дня, після останньої збереженої точки
- Якщо зберігання виконується в останню годину дня – 23.5 h, в цей день більше збереження поточного налаштування не можуть виконуватись, і на екрані з’являється напис FUL і номер дня.
- Якщо у даній день не робилися ніякі збереження поточного налаштування, то в цей день зберігаються існуючі до поточного налаштування збереження.

Мета налаштування – зберегти всі три параметра в так званих реперних точках (SET POINTS), при чому задана температура в кожній реперній точці виконується до наступної такої.


Приклад: Якщо в якийсь день ви виконали зберігання налаштувань в 7 годин при температурі 22°C, і ви хочете, щоб вона залишилася такою до 19 години (потім ви плануєте зробити 23°C), не потрібно зберігати кожну годину до 19 щогодини, а потрібно


лише зберегти температуру 22°C о 7 годині і температуру 23°C о 19 годині. За замовчуванням в цей період (7-19 годин), температура буде 22°C.

Механізм запису кожної точки полягає в наступному:

Після входу в режим налаштування на екрані з’являється dAY1, що означає, що це є параметр для налаштування (в цьому випадку дня тижня).

- За допомогою кнопок ▲ і ▼ виберіть потрібний день
- Коротким натиском на кнопку „Timer” перейдіть на встановлення часу
- За допомогою кнопок ▲ і ▼ виберіть потрібний час (з кроком 0,5 h) пункту
- Коротким натиском на кнопку „Timer” перейдіть на завдання температури
- За допомогою кнопок ▲ і ▼ виберіть бажану температуру. Можливі температури - від 10 до 30°C і вимкнений стан OFF.
- Коротким натиском на кнопку „Timer” виконується збереження точки і перехід до налаштування на наступну точку (на екрані знову було написано dAYX) і виконується перехід на параграф a/ для наступної точки.
- Якщо зберігання виконується в останню годину дня – 23.5 h, в цей день більше збереження поточного налаштування не можуть виконуватись, і на екрані з’являється напис FUL і номер дня.


 **УВАГА:** Точки в певний день можуть бути збережені тільки в порядку зростання годин.

 **Інфо:** До виконання параграфу f) оператор може повертатися назад до параграфу a) для корегування трьох параметрів в даній точці коротким натиском на кнопку ON/OFF, не зберігаючи запис в пам’яті.

Додаткове зберігання точок у цей день може відбуватися довільно, після запису точок і в інші дні, але тільки з дотриманням правила для висхідного порядку годин в день.

Вихід з налаштування виконується шляхом довгого натискання на кнопку „Timer” або почекаати 30 сек.

Після виходу з налаштувань Ви можете переглянути записані точки за допомогою кнопок ▲ і ▼, якщо пристрій знаходиться в програмному режимі.

 **Примітка:** Після ввімкнення, прилад переходить у режим (нагрівання або програмний), якому він працював до його вимкнення.



Примітка: Перемикання режиму роботи (нагрівання або програмування) - за допомогою короткого натискання на кнопку **Timer** при включеному стані.

Функція „Скидання“ до заводських налаштувань

Коли конвектор знаходиться в режимі „Вимкнений“, натисніть одночасно кнопку ▲ і кнопку ▼ протягом шести секунд, потім на дисплеї починає мигати „___“ і обертаються символи. Коли виконується „Скидання“ ви побачите на дисплеї вимірюване значення температури навколишнього середовища.

Після виконання функції скидання, ви повинні встановити знову функції, вказані нижче.

- встановити годинник
- встановити значення корекції температури (якщо потрібно)
- вимкнути Режим анти-замерзання (якщо потрібно)
- відключити адаптивний пуск (якщо потрібно)
- тижнева програма - 24/7

Якщо електричний конвектор вимкнути з електромережі це не змінить заданої температури та режиму роботи, який залишився до його вимкнення. Наприклад, якщо прилад був в режимі „Нагрівання“ до вимкнення приладу, то після його ввімкнення, знову буде в цьому режимі, з такою самою заданою температурою.



Принцип, закладений в електричний конвектор в енерго-незалежну пам'ять - зберігати налаштування гарантовано до 90 хвилин і без гарантії до 150 хвилин.

Якщо температура в приміщенні нижча від налаштованої з допомогою електронного терморегулятора, то конвектор вмикається і буде працювати до того моменту, коли температура в приміщенні досягне встановленого значення. Якщо температура в приміщенні вища від налаштованої з допомогою електронного терморегулятора, то конвектор автоматично перемикнеться в режим „Готовність до вмикання“.

Вивід інформації на дисплей

Показання індикації, якщо ми не в режимі налаштувань:

- a. У режимі вимкнено – послідовно показуються:
 - годинник (година і хвилини)
 - виміряна кімнатна температура
- b. У режимі нагріву – показує виміряну кімнатну температуру

c. У режимі програмування послідовно показуються:

- день тижня нижня рисочка і виміряна температура. 6_22
 - день тижня нижня рисочка і пульсуюча задана в програмі температура (завдання для поточної години), яка може бути і символ OFF. 6_23
- d. При вмиканні живлення конвектора, на дисплеї відображаються:
 - рисочки, „----“, якщо при вмиканні живлення, він був у стані вимкнений.
 - рисочки, „----“, на місці яких після 2 сек вказуються значення миттєвої температури, якщо при вмиканні живлення, він був у ввімкненому стані.
 - e. Дві цифри (01÷96) в поєднанні з миготінням жовтого світлодіоду, які показують решту часу в годинах до відкладеного пуску, якщо при вмиканні напруги конвектор був у режимі „Відкладений пуск“.
 - f. З метою додаткової економії електроенергії, електронний терморегулятор зменшує яскравість світіння всіх індикаторів. При натисканні на будь-яку кнопку, яскравість збільшується на 8 секунд, після чого знову знижується.
 - g. Якщо на дисплеї появиться „t0“ або „t1“ це означає, що система само-діагностики виявила проблеми в термодатчику. „t0“ - перерваний кабель датчика, а „t1“ - коротке замикання датчика. У цьому випадку електричний конвектор вимикається і повторно його вмикання буде можливо тільки після усунення дефекту. Несправності повинні бути усунені кваліфікованим спеціалістом.
 - h. При вмиканні живлення до 2 секунд на дисплеї з'являться рисочки, „----“ замість температури або часу.
 - i. Коли на цифровий дисплей виводиться температура горить „LED температури“, а коли виводиться час до відкладеного пуску - горить „LED часу“.

ЗАХИСТ

- Прилад оснащений запобіжним термостатом, який автоматично вимикає нагрівальний елемент в разі підвищення температури в конвекторі вище допустимих значень /від перегріву приладу/.
- Запобіжний термостат автоматично відновлює роботу конвектора, коли температура приладу впаде нижче допустимих граничних значень.

ОЧИЩЕННЯ

- Обов'язково спочатку вимкніть прилад з розетки, вийміть електричну вилку з розетки в стіні. Перед тим, як розпочати очистку конвектора, зачекайте, щоб він захолов після вимкнення з розетки.
- Конвектор можна очистити мінімальними зусиллями в задній його частині – просто натисніть „P”-образні скобки /рис.2/ на задній стороні приладу, і таким чином ви можете його звільнити і очистити задню його сторону.
- Корпус можна очистити вологою ганчіркою, пилососом або щіткою.
- Ніколи не мочіть прилад водою - існує небезпека для життя від ураження електричним струмом
- Ніколи не використовуйте бензин, розчинник або грубих абразивних засобів для чищення, так як вони можуть пошкодити покриття приладу

ЗБЕРЕЖЕННЯ

- Перед зберіганням конвектора, зачекайте, щоб він захолов після вимкнення з розетки.
- Використовуйте оригінальну упаковку для збереження конвектора, якщо він не буде використовуватись деякий час. Виріб потрібно захищати від надмірного пилу та забруднення, шляхом його схову в оригінальну упаковку.
- Ніколи не ховайте прилад теплим в упаковку!
- Прилад потрібно зберігати в сухому та захищеному від прямого сонячного проміння місці.
- Строго забороняється зберігати прилад у вологих або мокрих приміщеннях.

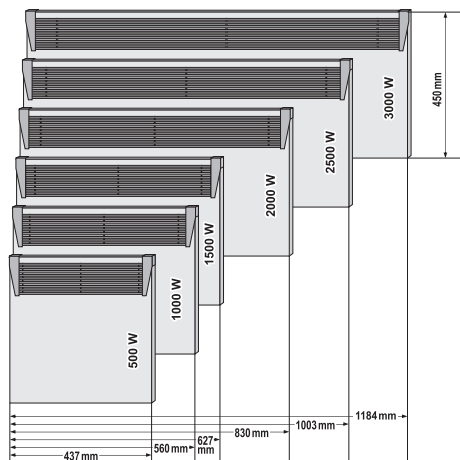
ТЕХНІЧНЕ ОБСЛУГОВУВАННЯ ПРИЛАДУ

- В разі несправності приладу, будь ласка, зверніться в найближчий до Вас авторизований сервісний пункт /вказані в гарантійному талоні виробу/.
- **Важливо:** В разі рекламачії та/або порушення Ваших прав, як споживача, будь ласка, зверніться до постачальника цього приладу на вказані адреси або через Інтернет сторінку компанії: www.tesy.com

РОЗМІРИ ПРИЛАДУ, ОПАЛЮВАЛЬНИЙ ОБ'ЄМ І ОПАЛЮВАЛЬНА ПЛОЩА ПРИМІЩЕННЯ

Модель	Опалювальний об'єм в м ³	Опалювальна площа в м ²
CN 03 050 EIS W - 500W	10* - 15 м ³	4* - 6 м ²
CN 03 100 EIS W - 1000W	20* - 30 м ³	8* - 12 м ²
CN 03 150 EIS W - 1500W	30* - 45 м ³	12* - 18 м ²
CN 03 200 EIS W - 2000W	40* - 60 м ³	16* - 24 м ²
CN 03 250 EIS W - 2500W	50* - 70 м ³	20* - 28 м ²
CN 03 300 EIS W - 3000W	60* - 80 м ³	24* - 32 м ²

* Мінімальний гарантований опалювальний об'єм (площа) опалення при середньому коефіцієнті теплопровідності $\lambda=0.5$ W/(mK) для опалювального приміщення. Вищі значення для опалювального об'єму (площі) досягаються при середньому значенні $\lambda=0.35$ W/(mK). Стандартна висота приміщення – 2.5 метрів.



Увага: для запобігання перегріву, не накривайте прилад!



Інструкції з охорони навколишнього середовища

Старі прилади містять цінні матеріали, тому не викидайте їх разом з побутовим сміттям! Звертаємось до Вас з проханням допомогти своїм активним внеском у збереження ресурсів і навколишнього середовища, і передати прилад у відповідні організовані пункти (якщо такі є).



Lugege käesolev juhend läbi enne selle seadme kasutamist ja säilige käesolev kasutus- ja hoidmisjuhend tulevaseks kasutamiseks. Omaniku vahetamise korral tuleb kasutusjuhend koos seadmega üle anda!

Täname teid, et te valisite konvektori CN03. See on toode, mis pakub kütet talvel olenes mugava soojuse vajaduste saavutamiseks köetavas ruumis. Nagu on kirjeldatud selles juhendis, garanteerib seade teid pikaajalise kasuliku funktsioneerimise õige kasutuse ja hoolduse korral.

OLULISED PREVENTIIVSED MEETMED JA OHUTUSJUHENDID:



Alla 3-aastased lapsed tuleb eemale hoida, kui nad ei ole pideva järelevalve all.

3 kuni 8-aastased lapsed võivad ainult seadme sisse/välja nappu kasutada juhul, kui seade on installitud ja valmis tavalise töö jaoks ning nad on järelevalve all ja instrueeritud seadme ohutu kasutuse kohta ja saavad ohtudest aru.

3 kuni 8-aastased lapsed ei tohi seadet kontaktipesasse sisse lülitada, seadistada, puhastada või kasutaja hooldust teha.

See seade võib kasutada üle 8-aastaste laste ja füüsiliste, meeleliste või vaimsete oskustega või ebapiisavate kogemuse ja teadmistega isikute poolt, kui nad on järgitud või instrueeritud seadme ohutu kasutamise kohta ja saavad ohtudest aru. Lapsed ei tohi seadmega mängida. Puhastamist ja kasutaja hooldust ei tohi lapsed teha, kes ei ole järelevalve all.



Selle toote mõned osad võivad väga kuumaks saada ja põletusi tekitada. Seal, kus asuvad lapsed ja haavatavad isikud, tuleb pöörata eritähelepanu.

- Enne seadme elektrivõrguga ühendamist tuleb kontrollida kas tüübisildil näidatud pinge vastab teie kodus (kontoris) olevale pingele.
- Seade kasutatakse ainult selleks eesmärgiks, mille jaoks on ettenähtud, ehk kodu ruumide kütmiseks. Seade ei ole ettenähtud ärieesmärgiks. Iga muu kasutamine peetakse ebaõigeks ja seetõttu ohtlikuks. Tootja ei vastuta ebaõige või ebamõistliku kasutamise tõttu tekkinud rikete eest. Ohutusinfost mitte kinnipidamine teeb seadme vastuvõetud garantii kehtetuks!
- Ärge minge kodust välja niikaua kui seade on sisselülitatud: veenduge, et lüliti on välja lülitatud (mehaanilise juhtimisega konvektori puhul).
- Hoidke kergsüttivad esemed, nagu mööblid, padjad, voodipesu, paber, riided, kardinad jne vähemalt 100 cm kaugusel konvektorist.
- Ärge kasutage seadet piirkondades, kus kasutatakse või hoitakse tuleohtlikke aineid. Ärge kasutage seadet piirkondades, kus on olemas süttivaid õhkkondi (näiteks: kergsüttivate gaaside või aerosoolide lähedal), kuna on olemas väga suur plahvatuse või tulekahju oht!
- Ärge sisestage ja laske väliskehasid (sisenevate või väljuvate) ventilatsioonivahendite sisse, sest see võib elektrilööki või tulekahju tekitada või konvektorit kahjustada.
- Seade ei sobi loomade kasvatamiseks ning on ettenähtud ainult kodukasutuse jaoks!
- Ärge katke kaitsevõresid, ärge blokeerige õhuvoolu sisenemist või vajumist seadme teatud pinna vastu panemise kaudu. Kõik esemed tuleb olla vähemalt 1 meeter kaugusel seadme ees ja kõrvuti.
- Kõike sagedasem ülekuumenemise põhjuseks on seadmesse kiude ja tolmu kogumine. Puhastage ventilatsiooniavad tolmuimejaga regulaarselt ning enne seda seade tuleb kindlalt elektrivõrgust välja lülitada.
- Seadet märja või niiskete kätega mitte kunagi puudutada, sest see on eluohtlik!
- Pistikupesa peab kogu aeg kättesaadav olema

selleks, et pistik saaks võimalikult kiiresti elektrivooluvõrgust välja võtta! Voolujuhet või seadet ise mitte kunagi tömmata elektrivõrgust väljavõtmisel.

- Tähelepanu! Väljuv õhk soojeneb töötamise ajal (kuni üle 100 kraadini).
- Kui seadme voolujuhe on katki, katkestage selle kasutus ja võtke turustajaga/müüjaga ühendust, et lisa juhendid rikke kõrvaldamiseks spetsialiseeritud teeninduskeskuses saada.
- Kui otsustate, et te seda liiki seadet enam ei kasutada, on soovitatav, et te teeksite seda mitte kasutatavaks juhtme ärälõikamise kaudu pärast elektrivõrgust lahti ühendamist. Soovitatakse ka kõik seadmega seotud ohud ohutuks teha, eriti laste jaoks, kes võivad amortiseeritud seadist (seadet) mängimiseks kasutada.
- Seadet otsesesse lähedusesse pistikukarbist mitte panna!
- Tähelepanu: Ärge kasutage seadet programmaatoriga, loendajaga või muu seadisega, mis lülitab seadme automaatselt sisse, kuna kui seade on kaetud või ebaõigesti pandud on olemas tulekahjuoht.
- Pange voolujuhe nii, et see inimeste liikumist ei takistaks ja selle peale ei saaks astuda! Kasutage ainult lubatud pikendusjuhtmed, mis sobivad seadmele ehk neil on vastavuse märk!
- Seadet mitte kunagi ümber paigaldada juhtmega tömmates ja juhete mitte esemete viimiseks kasutada!
- Ärge katkege juhete ja ärge seda läbi teravate servade tömmake ja ärge pange seda kuumade plaatide või liigipääsetava lökke peale!

PAKEND

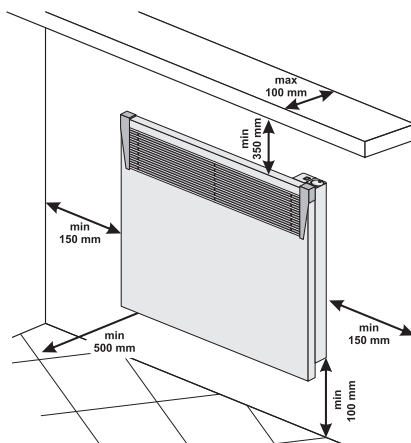
- Pärast seadme pakendist väljavõtmist kontrollige kas seade ei ole transportimisel rikki läinud, kontrollige kas seade on täielikult pakitud! Juhul kui on kindlaksmääratud rike või ebatäielik kohaletoimetamine, siis tuleb teie pädeva müüjaga ühendust võtta!
- Originaali pakendit mitte ära viisata! Seda võib hoidmiseks või transportimiseks kasutada rikete vältimiseks vedamise tulemusena!
- Pakendi materjali äraviskamine tuleb sobival viisil toimuda! Lapsed tuleb eemale hoida selleks, et nad ei mängiks polüetüleeni kottidega!

PAIGALDUSJUHEND

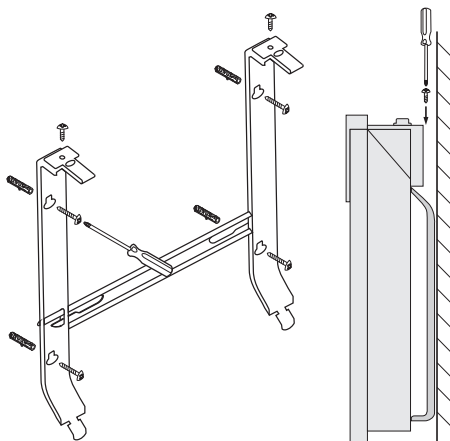
- Konvektor on kavandatud kaetud ruumides, seinale paigaldatud kasutamiseks.

NB: Ruumides, mis on suuremad kui 45 m³ on soovitatav 2 ja rohkem konvektoriga kombinatsioonis kasutada

- Konvektorit elektrivõrgu-pistikupesaga või ühenduskarbi alla mitte paigaldada.
- Konvektorit mitte paigaldada/kasutada
 1. kohale, kus on tõmbus, et kontrolliseadmete le mitte mõjuda.
 2. kohe elektrivõrgu-pistikupesaga alla;
 3. ruumi 1 (volum 1) vannitoad jaoks;
 4. ruumi 2 (volum 2), kui juhtpaneeli saab puutuda isiku poolt, kes on dušši all või vannis;
- Konvektori seinale paigaldamiseks tuleb ainult koos konvektoriga varustatavate seinaplanke kasutada. Konvektori paigaldamisel tuleb minimaalseid kauguseid hoida – vt Joonist 2.



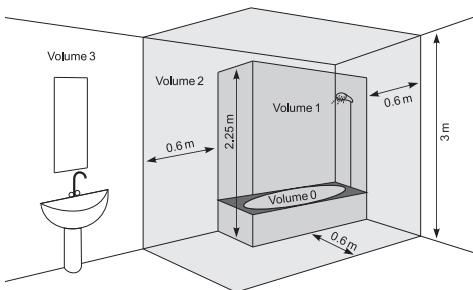
- Esialgu võtke seinaplangid tagakorpusest ära. Keerake kaks asuvat kahe seinaplangide vertikaalsel põial kruvi lahti. Seejärel tömmake põia ülaosa tagakorpuses sissepandud kahe osa tugeva surumise abil.



- Nihkuge seinaplaak allapoole selle tagakorpusest lahti haakimiseks.
- Kinnitage tugevalt seinaplaak seinale tehtud nelja kruviauku kaudu.
- Tõstke konvektor üles peaaegu vertikaalse asendini ja pange kaks alumist kumerat seinaplaakide osa kahte alumisesse konvektori tagumisekaanes olevasse pilusse sisse. Seejärel tõstke konvektor üles ja pange kaks alumist kumerat seinaplaakide osa kahte ülemisesse konvektori tagumisekaanes olevasse pilusse sisse konvektori tugevalt seinale kinnitamiseks.

KASUTUS VANNITOAS

- Konvektor tuleb paigaldada äritava kooskõlas ja vastava riigi seadusandlusele (ELi elektrienergia eeskirjadele ja nõuetele eripaigalduste kohta või kohtade kohta, kaasa arvatud vannitoad või dušikabiinid HD60364-7-701 (IEC 60364-7-701:2006)).



- Kui seda konvektorit kasutatakse vannitoas või muus sarnases ruumis, tuleb järgmiseid paigaldamise nõudeid jälgida: Konvektoril on IP24 kaitse (kaitse veepritsimise vastu). Sellepärast tuleb konvektor paigaldada ruumi (volume 2) (vaata joonist allpool) selleks, et konvektori juhtpaneeli (lülitit ja termoregulaatorit) ei oleks kättesaadav inimese poolt, kes asub duši all või vannis. Minimaalne kaugus ei tohi alla 1 m olla ja seade peab olema kindlalt seinale paigaldatud! Kui te ei ole kindel selle konvektori vannituppa paigaldamises, soovime kutselise elektriga nõu pida.

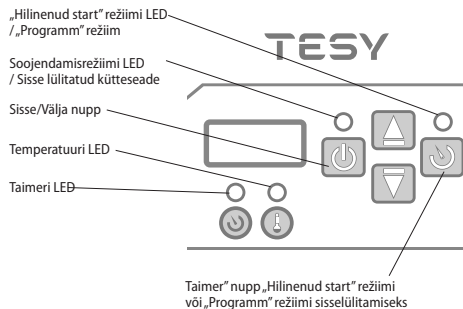
Märkus: kui ülalpool mainitud tingimusi ei saa täita, siis on soovitatav paigalduse ruumi 3 (VOLUME 3) teha.


- Niisketes ruumides (vannitoad ja köögid) peab elektrivoolu allikas olema paigaldatud vähemalt 25 cm kõrgusel põrandalt.
- Installatsioon peab olema varustatud automaatse kaitsja, mil kaugus kontaktipesade vahel väljalülitatud asendis peab olema vähemalt 3 mm.

KASUTUSJUHEND

ELEKTROONILINE JUHTIMINE

Töörežiim



Lülitage konvektor sisse, vajutage nupule „I” asendil (Sisse lülitatud) .

Kella seadistamine

Kella seadistada saab ainult „Välja lülitatud” režiimis: Seadistatakse naabla jooksev nädalapäev ja kellaage (tund ja minutid).

Kella seadistusesse sisenemine toimub nuppude SISSE/VÄLJA (ON/OFF) ja Taimer üheaegse pika vajutades. Parameeter, mis seadistatakse pulseerib ekraanil. Seadistumise parameetri valik toimub nupule Taimer lühikese vajutades. Seadistusest väljumine toimub nupule Taimer kolmanda lühikese vajutamise kaudu (pärast minutite seadistumist).

Seadistumine algab nädalapäevaga 1 kuni 7 olenes sellest, kelle kord on jooksva nädalapäeval ja seadistatakse vastava numbriga. Tunnid ja minutid on näidatud samaaegselt ekraanilt ning ainult seadistumise parameeter pulseerib. Parameetri väärtuse muutmine toimub nuppude ▲ ja ▼ kaudu.

Kui kuni 10 sekundit ei vajutata nupule, väljutatakse seadistumisest.

Soojendamisrežiimi sisselülitamine

Mil paneelkonvektor on välja lülitatud, näitab digitaalekraan toatemperatuuri ja põleb ainult Temperatuuri LED. Nupule „Sisse/välja” (ON/OFF) ühekordse vajutamisel lülitatakse Soojendamisrežiim. Siis lülitatakse sisse punane valgusdiod, mis näitab seda režiimi. Umbes 2 sekundiks näitab ekraan seadistatud temperatuuri ja selle aja jooksul Temperatuuri LED ei põle. Kui toatemperatuur on madalam kui seadistatud temperatuur, lülitab küttesead end automaatselt sisse.

Mil küttesead on sisse lülitatud, põleb punane valgusdiod kogu aeg!

Temperatuuri seadistumine

Nuppudele ▲ või ▼ vajutades lülitakse „**Seadistatud temperatuuri muutmise**“ režiimi. Ekraan hakkab vilkuma ja näitab siiaamaani seadistatud temperatuuri. Nuppudele järgmiste vajutamistega muudetakse seadistumine soovitud suunas. Kui kuni 5 sekundit ei vajutata uuele nupule, salvestatakse uus seadistus ja lülitakse automaatselt **Soojendamisrežiimi**. Kui üks nuppudest ▲ või ▼ hoitakse vajutatud üle 0,7 sekundi, hakkab seadistatud temperatuuri väärtus suurendama või vähendama kiirusega 4 üksust sekundis. Seadistatud temperatuuri reguleerimise piirid on 10 kuni 30 kraadi.


Paneelkonvektori sisselülitamise „Hilinenud start“

Mil konvektor on „Välja lülitatud“ režiimis, võimaldatakse aja sisestamine „Taimer“ nupule vajutades. See režiim näidatakse vilkuma kollase valgusdiodiga ja kustutatud punase valgusdiodiga. Digitaalekraanilt vahelduvad ümbritseva temperatuuri näidud, mil põleb „Temperatuuri LED“ ja ülejäänud aeg tundides kuni Soojendamisrežiimi sisselülitamiseni, mil põleb „Kellaaja LED“. Kohe pärast selle režiimi sisselülitamist põleb kollane valgusdiod ja ekraan hakkab vilkuma näidates seadistatavat aega tundides kuni konvektori sisselülitamiseni. Esmalt laetakse 12 tundi ja nuppudele ▲ või ▼ muudetakse aeg soovitud suunas. Kui üks nuppudest ▲ või ▼ hoitakse vajutatud üle 0,7 sekundi, aja väärtus hakkab automaatselt väärtus suurendama või vähendama kiirusega 4 üksust sekundis. Kui kuni 5 sekundit ei vajutata uuele nupule või vajutatakse nupule „Taimer“, lülitab regulaator „Hilinenud start“ režiimi täitmise. Kui sisestatakse aeg 00, siis režiim ei täideta. Kui „Hilinenud start“ režiim täidetakse juba ja vajutatakse nupule „Taimer“ uuesti, siis saab ülejäänud aja mõlemas võimalikus suunas korrigeerida. Sellest režiimist saab välja nupule „Sisse/välja“ („On/Off“) vajutades. Siis lülitab konvektor Soojendamisrežiimi. „Hilinenud start“ saab seadistada alates 01 kuni 96 tundi.

Soojendamisrežiimi väljalülitamine

Soojendusrežiimist saab välja nupule „Sisse/välja“ („On/Off“) vajutades. Siis soojendusseadme lülitab end välja, kui enne seda oli sisse lülitatud ja punane valgusdiod kustub. Ekraan näitab toatemperatuuri edasi.

Funktsioon „Külmumise vastu“

Kui ruumis olev temperatuur langeb alla 5 kraadi ja konvektor on välja lülitatud (punane valgusdiod ei põle, aga Mehaaniline lüliti on „I“ asendis (sisse lülitatud) ) lülitab soojendusseade end ise sisse külmetamise kaitse jaoks.



Temperatuuri anduri temperatuuri paranduse seadistumine ei kehti selle funktsiooni jaoks.

Funktsiooni aktiveerimine ja deaktiveerimine:

- vaikumisi on funktsioon on sisse lülitatud
- kui te soovite funktsiooni välja lülitada, kui konvektor on „Välja lülitatud“ režiimis, nupule ▲ ja nupule „Sisse/välja“ („On/Off“) kolmeks sekundiks vajutades, hakkab ekraanilt „Sisse“ („ON“) vilkuma, kui te vajutate nupule ▼, jõuate „Välja“ („OFF“) asendisse, ootate 3 sekundit ning funktsioon lülitab automaatselt „Välja“ („OFF“) asendisse.
- kui te soovite funktsiooni uuesti sisse lülitada, kui konvektor on „Välja lülitatud“ režiimis, nupule ▲ ja nupule „Sisse/välja“ vajutades kolmeks sekundiks, hakkab ekraanilt „Välja“ („OFF“) vilkuma, kui te vajutate nupule ▼, jõuate „ON“ asendisse, oodate 3 sekundit ning funktsioon lülitab automaatselt „Sisse“ („ON“) asendisse.

Anduri temperatuuri korrektsiooni funktsioon

Erinevates ruumides temperatuuri profiili spetsiifilise tõttu võib ekraanilt näidatud temperatuur olla kui tõeliselt mõõdetud temperatuurist soojendi erinevates asukohtades toas.

- Vaadake temperatuuri, mida aparraadi ekraan näitab
- Mõõtke temperatuuri sel kohal, kus temperatuur on teile piisavalt „mugav“ (tavaliselt 60 cm kõrgusel põrandapinnast istuvas asendis). ±4 kraadi vahe korral võite vajalike paranduse seadistada konvektori menüüsse (Tähtis tingimus: funktsioon võib seadistada ainult koetava ruumi tempereerimist. Ruumi tüübi järgi on vähemalt 7 tundi vaja) saadud ehage konvektori näidu ja mõõdetud temperatuuri vahel.



Tähelepanu: see funktsioon kasutatakse paremaks elektrikonvektori kasutaja temperatuuri mugavuse ja energiasäästu jaoks ruumis, kus ta asub. Mõõdetud temperatuuri üle ±4 kraadi vahe soovitud toa asukohas tähendab, et tuba, kus te konvektorit kasutate ei ole hästi isoleeritud või tempereeritud.


Näite: konvektor, mis on pandud kivi põrandal ruumis: konvektori näidud 18 kraadi (seadistatud 22-kraadine temperatuur), mõõdetud tõeline temperatuur (mugavuse temperatuuri tunne) on 22 kraadi 60 cm kõrgusel põrandapinnast - > sel juhul kütab konvektor ruumi ikka üle (see on otsene energia kaotus, kuid konvektor ei jõua seadistatud temperatuuri saada, kui see mõõdab temperatuuri madalal põranda lähedal) ja ei lülita end ise kunagi välja. Tuleb temperatuuri paranduse +4 kraadi seadistada – sel juhul näitab konvektor 22 kraadi ja hakkab end ise välja lülitama ning seadistatud 22-kraadist temperatuuri hoidma .

Vaikimisi on funktsiooni tavaline seis 0 kraadi

- kui te soovite väärtuse muuta: konvektor on „Välja lülitatud“ režiimis, nupule ▼ ja nupule „Sisse/välja“

(“On/Off”) kolmeks sekundiks vajutades – ekraanilt hakkab vilkuma „0°C (0 kraadi). Võib vajutada nupule ▼ või nupule ▲, et diapasoni -4 kuni 4 kraadini, oodate 3 sekundit ja funktsioon salvestab end automaatselt ise.

- Kui te tahate kontrollida, milline parandus on seadistatud: konvektor on „Välja lülitatud” režiimis, nupule ▼ ja nupule „Sisse/välja” (“On/Off”) kolmeks sekundiks vajutades – ekraanilt hakkab vilkuma seadistatud temperatuur. Võib vajutada nupule ▼ või nupule ▲, et diapasonis -4 kuni 4 kraadini uue väärtuse seadistada.

 **Tähelepanu:** Pärast vaikimisi nulleerimise funktsiooni tuleb uuesti temperatuuri paranduse seadistada, vaikimisi väärtus on 0 kraadi.

Adaptiivne start


- *adaptiivne stardi juhtimine tähendab funktsiooni, mis arwab ette ja algatab optimaalse soojendamise alguse, et seadistatud temperatuuri soovitud kellaajal jõuda.*
- *vaikimisi on funktsioon sisse lülitatud*
- *kui te soovite väärtuse muuta - konvektor on „Välja lülitatud” režiimis, nupule „▲” ja nupule „Taimer” kolmeks sekundiks, hakkab ekraanilt „A_On” („A Sisse”) vilkuma, siis tuleb vajutada nupule „▼”, et jõuda „A OFF” („A välja”), oodate 3 sekundit ja funktsioon salvestab end automaatselt ise.*
- *Uuesti „Sisse” („ON”) asendisse tagasi minna - konvektor on „Välja lülitatud” režiimis, nupule ▲ ja nupule „Taimer” kolmeks sekundiks vajutades: hakkab ekraanilt „A_OFF” („A Välja”), siis tuleb vajutada nupule ▼, et jõuda „A ON” („A Sisse”), oodate 3 sekundit ja funktsioon salvestab end automaatselt ise.*

See funktsioon seadistatakse teie vajaduste järgi. Aparaat töötab seadistatud „mugavuse” temperatuuri järgi kuni stabiilse oleku 17 tundi jõudmiseni – see temperatuur on vastav mugavuse temperatuur.


Tuleb ka madalama temperatuuriga aja seadistada vähemalt 7 tunniks, sellest temperatuurist, mis on seadustatud mugavuse vahe 4 ± 1 kraadi jaoks. Adaptiivse juhtimise aktiveerimisel jätke aparadi elektrooniline termoregulaator töötama 4 tsükli jooksul (4×24 tundi) 4 mugavuse tsükli jooksul (17 tundi) ja vähendatud temperatuuriga (7 tundi). Pärast viimase vähendamise aja lõppemist peab mugavuse temperatuur olema jõutud ± 30 minuti erinevusega seadistatud aja suhtes ja maksimaalse vahega ± 1 kraad seadistatud mugavuse temperatuuri suhtes.

“Kaitse laste eest”

Te võite nupud lukustada nupule ▼ ja nupule „Taimer” pika vajutamise kaudu, et seadistuste muutuse kõrvale pöörata. Kordage seda nuppude lukust lahti keeramiseks.

 **Tähelepanu:** Mil klaviatuur on lukus ja vajutate mõnelele nuppudele, peab ekraan näitama kirja „LOC_”

Seadistused „Nädala Programmaator 24/7” režiimis

 Režiimi „Nädala Programmaator 24/7” seadistustesse sisenemine on võimalik ainult siis, kui aparaadil on seadistatud kellaeg na nädalapäev.

Sellesse režiimi sisenemine ja väljumine toimub nupule „Taimer” pika vajutamise kaudu.

Seadistuste parameetrid on kolm: nädalapäev, kellaeg ja temperatuuri seadistamine, kusjuures kolme parameetri lülitamine toimub nupule „Taimer” lühikese vajutamise kaudu järgmises järjekorras: nädalapäev, kellaeg, temperatuur. Salvestamine toimub nupule „Taimer” lühikese vajutamise kaudu pärast viimase parameetri (temperatuuri) seadistumist.

Iga parameetri väärtuste muutmise toimub nuppudega ▲ ja ▼.

Tingimused salvestamisele

- Pärast salvestamist punkti ei saa enam muuta kuni jooksvast seadistumisest väljumiseni.*
- Jooksva seadistumise esimese teatud päeva löike punkti salvestamisel kustutatakse kõik päeva punktid eelnevalt.*
- Teatud nädalapäeva järgmiste punktide salvestamine on võimalik ainult tundides kuni päeva lõpuni pärast viimati salvestatud punkti.*
- Viimase päeva tunni salvestamisel, ehk kl 23.5, ei saa rohkem salvestusi teha jooksvas seadistumises ja ekraan näitab kirja FULL ja päeva numbrit.*
- Kui teatud päeval ei tehta salvestusi jooksvas seadistumises, siis salvestatakse jooksvas seadistused kuni jooksva seadistumise salvestamiseni.*

Seadistuste eesmärk on salvestada kolm parameetrit nii nimetatud löike punktides (SET POINTS), kusjuures igas punktis seadistatud temperatuur täidetakse kuni järgmise löike punkti.

Näide: Kui teatud päeval olete salvestuse kl 7 teinud 22 kraadi temperatuuriga ja tahate, et temperatuur jääks samaks kuni kl 19 (millal te kavatsete, et saaks 23 kraadiks), ei ole vaja salvestada iga ühte tundi kuni kl 19 ja tuleb ainult 22-kraadise temperatuuri salvestada kellas 7 ja 23-kraadise temperatuuri kellas 19 salvestada. Vaikimisi on sel ajal (kl 7 kuni kl 19) temperatuur 22 kraadi.

Iga punkti salvestamisviisi on järgmine:

Pärast seadistumistesse sisenemist näitab ekraan dAY1 ning number pulseerib, mis tähendab, et see on seadistumise parameeter (sel juhul nädalapäev).

- Nuppudega ▲ ja ▼ valitatakse soovitud päev*
- Nupule „Taimer” lühikese vajutamise kaudu lülitatakse kellaaja seadistumine*

- c. Nuppudega ▲ ja ▼ valitakse soovitud punkti kellaeg (0,5 tunnilise astmega)
- d. Nupule „Taimer“ lühikese vajutamise kaudu lülitatakse temperatuuri seadistumine
- e. Nuppudega ▲ ja ▼ valitatakse soovitud temperatuur. Võimalikud temperatuurid on 10 kuni 30 kraadi ja välja lülitatud asend „Välja“ (OFF).
- f. Nupule „Taimer“ lühikese vajutamise kaudu salvestatakse punkt ja lülitatakse järgmine punkti seadistumine (ekraan näitab jälle dAYX) ja lülitatakse järgmise punkti paragrahv.
- g. Viimase tunni (23.5h) salvestamisel ei saa enam salvestusi teha sel ja ekraan näitab kirja **FUL_** ja päeva numbrit.



TÄHELEPANU: Teatud päeva punktid võib salvestada ainult tundide kasvavas järjekorras.



Info: Enne paragrahvi f) täitmist võib operaator tagasi minna paragrahvise a) punkti kolme parameetri korrigeerimise jaoks nupule **SISSE/VÄLJA** lühikese vajutamise kaudu ilma salvestamiseta mälus.

Teatud päeva punktide juurde kirjutamine võib suvaliselt saada pärast teiste päeva punktide salvestamist, kuid ainult päeva tundide kasvava järjekorra reegli järgi.

Seadustamistest väljumine toimib nupule „Taimer“ pika vajutamise kaudu või 30 sekundit ootamisega.

Pärast seadistumistest väljumist saab salvestatud punkte üle vaadata nuppude ▲ ja ▼ kaudu, kui aparaat on „Programm“ režiimis.



Tähelepanu: Pärast sisselülitamist lülitab aparaat režiimi (soojendamisrežiimi, või „Programm“ režiimi), milles see viimati töötas.



Tähelepanu: Töörežiimi lülitamine (soojendamisrežiimi, või Programmi režiimi) toimub nupule **Taimer** lühikese vajutamise kaudu.

Funktsioon „Nulleerimine“ vaikimisi seadistumistesse

Mil konvektor on „Välja lülitatud“ režiimis vajutatakse üheaegselt nupule ▲ ja nupule ▼ kuueks sekundiks, siis hakkab ekraanilt vilkuma „_ _ _“ ja sümbolid pööravad ümber ringi. Mil „Nulleeritakse“ näete ekraanilt ümbritseva temperatuuri mõõdetud väärtust.

Pärast nulleerimise funktsiooni kasutamist tuleb uuesti järgmised funktsioonid seadistada:

- kella seadistumine
- seadistage temperatuuri korrigeerimise väärtust (kui vaja)
- Funktsiooni „Kaitse külmumise vastu“ deaktiveerimine (kui vaja)

- deaktiveerige adaptiivne start (kui vaja)
- nädala programm: 24/7

Kui elektrikonvektor lülitatakse elektrivõrgust välja, ei muutu seadistatud temperatuur ja töörežiim, mis jäid enne konvektori väljalülitamist. Kui näiteks oli konvektor „Soojendamisrežiimis“, siis ongi aparaat selles režiimis sama seadistatud temperatuuriga ka selle väljalülitamise pärast.



Elektrikonvektoris säätitud põhimõte on, et energiasõltumatu mälu salvestaks seadistused kuni 90 minutit tagatud ja kuni 150 minutit mitte tagatud.

Mil toatemperatuur on madalam teie poolt elektronilise termoregulaatori kaudu seadistatud temperatuurist, hakkab konvektor töötama sellise hetkeni, mil ruumitemperatuur jõuab seadistatud väärtuseni. Mil toatemperatuur on kõrgem teie poolt elektronilise termoregulaatori kaudu seadistatud temperatuurist, lülitab konvektor automaatselt „Valmis sisselülitamiseks“ režiimi.

Ekraanil olevad andmed

Indikatsiooni näit, kui me ei ole seadistumises:

- „Välja lülitatud“ režiimis - järjekult näitab:
 - kellaega (tund ja minutid)
 - mõõdetud toatemperatuuri
- Soojendamisrežiimis: näitab mõõdetud toatemperatuuri
- Programmi režiimis - järjekult näitab:
 - nädalapäeva, alljooni ja mõõdetud temperatuuri. 6_22
 - nädalapäeva, alljooni ja pulseerivat Programmis seadistatud temperatuuri (jooksva tunni seadistumist), mis võib ka olla sümbol „Välja“ (OFF). 6_23
- Konvektori elektritoiteallika sisselülitamisel näitab ekraan:
 - joonekesi „----“, kui elektritoiteallika sisselülitamisel oli konvektor välja lülitatuna.
 - joonekesi „----“, mida 2 sekundit pärast vahetab hetkel olev temperatuur, kui elektritoiteallika väljalülitamisel oli konvektor sisse lülitatuna.
- Kahte numbrit (01÷96) koos vilkuva kollase valgusdiodiga, mis näitavad ülejäänud aega tundides hilinenud stardini, kui elektritoiteallika väljalülitamisel oli konvektor „Hilinenud start“ režiimis.
- Lisa energiasäätu jaoks, vähendab elektrooniline regulaator kõige indikaatorite põlemise heleduse. Suvalise nupule vajutades, suureneb heledus 8 sekundiks, siis väheneb uuesti.
- Kui ekraan näitab „t0“ või „t1“, tähendab see, et enesediagnostika süsteem on leidnud termoanduri. „t0“ tähendab anduri katkist juhet ja „t1“ anduri lühisvoolu. Sel juhul lülitab elektrikonvektor end ise välja ja seda saab uuesti sisse lülitada pärast tõrke

kõrvaldamist. Rikke tuleb kvalifitseeritud spetsialist kõrvaldada.

- h. Elektritoiteallika sisselülitamisel näitab ekraan joone „----“ temperatuuri või kellaaja asemel kuni 2 sekundi pärast.
- i. Kui digitaalne ekraan näitab temperatuuri, põleb „Temperatuuri LED“ ja kui digitaalne ekraan näitab aega hilinenud stardini, põleb „Kellaaja LED“.

KAITSE

- Seade on varustatud kaitsva termo-väljalülitiga, mis lülitab automaatselt kuumuti välja konvektori temperatuuri üle lubatud väärtuste tõusmise juhtudel (nii nimetatud seadme ülekuumenemine).
- Kaitsev termo-väljalülitit taastab automaatselt konvektori töö, kui seadme temperatuur langeb alla lubatud piirväärtusi.

PUHASTAMINE

- Esmalt tuleb seade kindlalt lülitada välja lülitada ja seina kontaktist välja tõmmata. Enne konvektori puhastamise hakkamist tuleb selle jahtuma jätta kontaktist väljalülitamise kaudu.
- Konvektori saab puhtaks teha minimaalsete pingutustega: lihtsalt vajutage seadme tagaosal olevaid P-kujulisi planke ning sel viisil saate seadme vabastada ja selle tagaosa puhastada.
- Puhastage korpust niiske rätikuga, tolmuimejaga või harjaga.
- Seadet mitte kunagi vette uppuda, kuna on olemas elektrilöögi eluhoit!
- Bensiini, lahustit või abrasiivseid tooraineid mitte kunagi kasutada, kuna nad kahjustavad seadme katet.

HOID

- Enne konvektori ärapanemist tuleb see jahtuma lasta pistikupesast välja lülitamise kaudu.
- Konvektori hoidmiseks kasutage originaalselt pakendit, kui seadet ei kasutata mõneks ajaks. Toode kaitstakse liigse tolmamise ja reostamise vastu selle originaalsesse pakendisse ärapanemise kaudu.
- Sooja seadet mitte kunagi sellesse pakendisse ära panna!
- Seade tuleb kuivas ja kaitstud otsese päikesevalguse eest kohas hoida.
- Seadme hoidmine niisketes või märgades ruumides on rangelt keelatud.

SEADME TEENINDUSHOOLDUS

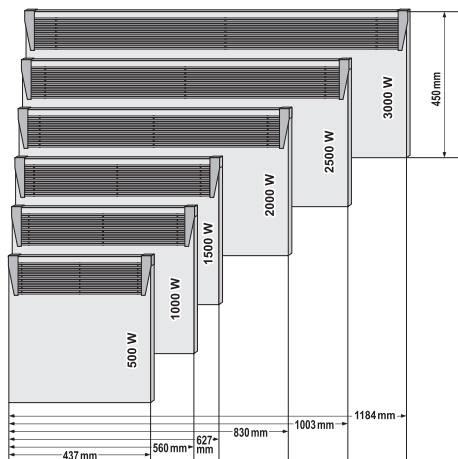
- Seadme rikke korral palun võtke ühendus lähedaima litsenseeritud remondikeskusega (remondikeskused on loetletud toote garantiikaardil).

- NB:** Reklamatsiooni või/ja teie õiguste rikkumise tarbijana korral palun võtke ühendust selle seadme tarnijaga toodud aadressidel või ettevõtte saidil: www.tesy.com

SEADME SUURUSED, KÕETAV RUUMALA JA PIND RUUMIS

Mudel	Kõetav ruumala m ³	Kõetav pind m ²
CN 03 050 EIS W - 500W	10* - 15 m ³	4* - 6 m ²
CN 03 100 EIS W - 1000W	20* - 30 m ³	8* - 12 m ²
CN 03 150 EIS W - 1500W	30* - 45 m ³	12* - 18 m ²
CN 03 200 EIS W - 2000W	40* - 60 m ³	16* - 24 m ²
CN 03 250 EIS W - 2500W	50* - 70 m ³	20* - 28 m ²
CN 03 300 EIS W - 3000W	60* - 80 m ³	24* - 32 m ²

* Minimaalne tagatud kõetav ruumala (pind) kütmise jaoks keskmise soojusjuhtivuse koefitsiendil $m \lambda = 0.5 \text{ W}/(m^2K)$. Kõrgemad väärtused kõetava ruumala (pinna) jaoks saavutatakse $\lambda = 0.35 \text{ W}/(m^2K)$ keskmisel väärtusel. Ruumide standardkõrgus: 2.5 meetrit.



Tähelepanu: Ülekuumenemise vältimiseks seadist mitte katta!




Juhendid miljöõ säästmise kohta

Vanad elektriseadmed sisaldavad väärtuslikke materjale ja selle pärast ei tohi neid koos kodupürgiga ära visata! Palume teie aktiivse koostöö eest ressurside ja miljöõ säästmiseks ja seadme korraldatud kokkoostu punktidele (kui selliseid on olemas) üle anda.

TABEL 2 ELEKTRI-KOHTKÜTTESEADMETE KOHTA NÕUTAV TEAVE
Mudelid tunnuskood(id): 1.CN03 050 EIS W; 2.CN03 100 EIS W; 3.CN03 150 EIS W; 4.CN03 200 EIS W; 5.CN03 250 EIS W; 6.CN03 300 EIS W 230V~ 50Hz

Näitaja	Tähis	Väärtus 1	Väärtus 2	Väärtus 3	Väärtus 4	Väärtus 5	Väärtus 5	Ühik	Näitaja	Ühik
Soojusvõimsus									Sissetuleva soojuste liik, üksnes elektriliste soojust salvestavate kohtkütteseadmete puhul (valige üks)	
Nimisoojusvõimsus	P_{nom}	0.50	1.00	1.50	2.00	2.50	3.00	kW	Soojushulga käsijuhtseadise sisseehitatud termostaadiga	[ei]
"Minimaalne soojusvõimsus (soovituslik)"	P_{min}	0.00	0.00	0.00	0.00	0.00	0.00	kW	Soojushulga käsijuhtseadise toa- ja/või välistemperatuuri tagasisidega	[ei]
Maksimaalne pidev soojusvõimsus	$P_{max,C}$	0.50	1.00	1.50	2.00	2.50	3.00	kW	Elektrooniline soojushulga juhtseadise toa- ja/või välistemperatuuri tagasisidega	[ei]
Lisaelektrienergia tarbimine									Ventilaatoriga muudetav soojusvõimsus	[ei]
Nimisoojusvõimsusel	e_{lmax}	0.43	0.93	1.44	1.91	2.45	2.91	kW	Soojusvõimsuse/toatemperatuuri seadistamise viis (valige üks)	-
Minimaalsel soojusvõimsusel	e_{lmin}	0.00	0.00	0.00	0.00	0.00	0.00	kW	Üheastmelise soojusvõimsusega, toatemperatuuri seadistamise võimaluseta	[ei]
Ooteseisundis	e_{lSB}			0.00033				kW	Kahe või enama käsitsi valitava astmega, toatemperatuuri seadistamise võimaluseta	[ei]
									Toatemperatuuri seadistamine mehaanilise termostaadiga	[ei]
									Toatemperatuuri elektroonilise seadistamisega	[ei]
									Toatemperatuuri elektroonilise seadistamise ja ööpäevataimeriga	[ei]
									Toatemperatuuri elektroonilise seadistamise ja nädalataimeriga	[jah]
									Muud juhtimisvõimalused (mitu valikut lubatud)	[ei]
									Toatemperatuuri seadistamine koos ruumis viibimise avastamisega	[ei]
									Toatemperatuuri seadistamine koos avatud akna avastamisega	[ei]
									Kaugjuhtimisvõimalusega	[ei]
									Kohaneva käivitusjuhtimisega	[jah]
									Tööajapiiranguga	[ei]
									Musta lambiga anduriga	[ei]

TESY Ltd
48 Madara Blvd,
Shumen, 9700,
Bulgaria

 Lees deze handleiding alvorens dit toestel te gebruiken en bewaar het voor toekomstig gebruik. Bij verandering van eigenaar, dient de gebruikershandleiding te worden overgegeven samen met het toestel.

Dank u voor de keuze van de convector CN03. Het betreft een product dat biedt verwarming in de winter aan afhankelijk van de betreffende behoeften aan gemakkelijke warmte in het te verwarmen ruimte. Bij juiste exploitatie en zorg zal dit toestel veel jaren voor een nuttige werking voor u zorgen.

BELANGRIJKE BESCHERMINGSMATREGELEN EN VEILIGHEIDSAANWIJZINGEN:

 **Kinderen onder 3 jaar moeten op afstand worden gehouden tenzij ze onder constant toezicht worden gehouden.**

Kinderen van 3 tot 8 jaar mogen enkel de knop in/uit van het toestel gebruiken op voorwaarde dat het toestel geïnstalleerd en bereid normaal te werken is en de kinderen onder toezicht waren en hebben aanwijzingen gekregen van het gebruik van het toestel op een veilige wijze en ze begrijpen dat het gevaarlijk kan zijn.

Kinderen van 3 tot 8 jaar mogen het toestel in het stopcontact niet inschakelen, instellen, schoonmaken noch gebruikersonderhoud uitvoeren.

Dit toestel mag gebruikt worden door kinderen ouder dan 8 jaar en personen met fysieke, zintuiglijke en mentale handicaps of met onvoldoende ervaring en kennis, indien ze onder toezicht zijn of aanwijzingen krijgen van het veilige gebruiken van het toestel en begrijpen het gevaar. De kinderen mogen met het toestel niet spelen. Het schoonmaken en het gebruikersonderhoud mogen niet uitgevoerd worden door kinderen die niet onder toezicht zijn.

 **Sommige onderdelen van dit product kunnen heel hit worden en brandwonden veroorzaken. Men moet bijzonder oppassen op plaatsen, waar er kinderen en kwetsbare mensen aanwezig zijn.**

- Alvorens het toestel in te schakelen, controleer of de op het etiket vermelde elektrische spanning stemt overeen met de elektrische spanning die tot uw woning geleverd wordt.
- Dit toestel moet voor het beoogde doel gebruikt worden, met name het toestel is bestemd voor het verwarming van huiselijke ruimtes. Het toestel is niet bestemd voor handelsdoeleinden. Ieder verschillend gebruik wordt als onjuist en derhalve gevaarlijk beschouwd. De fabrikant is niet verantwoordelijk voor schade als gevolg van onjuist en onredelijk gebruik. Het niet navolgen van de veiligheidsaanwijzingen zal de opgenomen garantie van het toestel ongeldig maken.
- Uw woning niet verlaten wanneer het toestel ingeschakeld is: zorg ervoor dat de schakelaar in de uitgeschakelde positie staat (het betreft de convector met mechanische bediening).
- Brandbare voorwerpen als meubels, kussens, beddengoed, papier, kleren, gordijnen enz. moeten op een afstand ten minste 100 cm weg van de convector zijn.
- Het toestel niet gebruiken op plaatsen, waar brandbare stoffen worden gebruikt of bewaard (bijvoorbeeld: in de buurt van brandbare gazen en aerosolen): er bestaat brand - of ontploffingsgevaar!
- Geen harde voorwerpen in de (in- en uitgaande) ventilatieopeningen insteken en laten binnenkomen, want dit zal elektrische schok of schade van de convector veroorzaken.
- Dit toestel is niet bestemd voor veeteelt, maar enkel

voor thuisgebruik!

- De beschermroosters niet bedekken, het binnenkomen en buitengaan van de luchtstroom niet blokkeren door het toestel tegen een bepaalde oppervlakte te plaatsen. Alle voorwerpen moeten op een afstand van ten minste 1 meter vóór en zijdelings ten opzichte van het toestel zijn.
- The meest voorkomende oorzaak voor oververhitting is het stapelen van mos en stof binnen het toestel. Maak regelmatig de ventilatieopeningen schoon door een stofzuiger te gebruiken en daarvoor moet het toestel uitgeschakeld uit het stopcontact zijn.
- Het toestel nooit met natte of vochtige handen aanraken: het kan levensgevaarlijk zijn!
- Het stopcontact moet te allen tijde toegankelijk zijn teneinde de stekker mogelijk snelst te kunnen uitgeschakeld zijn indien nodig! De stroomkabel of het toestel nooit trekken bij het uitschakelen uit het stopcontact.
- Let op! De uitgaande lucht wordt verhit tot meer dan 100°C tijdens de werking van het toestel.
- Indien de stroomkabel van dit toestel is beschadigd, stop het toestel te gebruiken en neem contact met de leverancier / verkoper om verdere aanwijzingen te krijgen.
- Indien u besluit het toestel niet meer te gebruiken, wordt aangeraden het onbruikbaar te maken door de kabel af te snijden nadat u deze uit het stopcontact uitgeschakeld heeft. Er wordt aangeraden alle gevaren beveiligd te worden die met het toestel verband houden, in het bijzonder voor kinderen die het onbruikbare toestel zouden gebruiken om ermee te spelen.
- Het toestel niet direct onder het stopcontact plaatsen!
- Let op! Gebruik dit toestel met programmator, teller of ander toestel niet dit automatisch het toestel in- en uitschakelt, want er bestaat brandgevaar indien het toestel bedekt of onjuist geplaatst is.
- Plaats de stroomkabel zo dat deze het bewegen van de mensen niet verhindert en niet opgetrapt wordt! Gebruik enkel erkende verlengkabels die aan het toestel passen, met name die voor een conformiteitsaanduiding voorzien zijn!
- Het toestel nooit verplaatsen door de kabel daarvan te trekken en de kabel voor het vervoeren van voorwerpen te gebruiken!
- De kabel niet breken, deze niet door scherpe kanten trekken en op hete platen of open vlam plaatsen!

VERPAKKING


- Na het uitpakken van het toestel check of het niet beschadigd door het vervoer werd en of het

vollig ingepakt is! Indien u schade of onvolledige levering vaststelt, neem contact op met uw bevoegde verkoper!

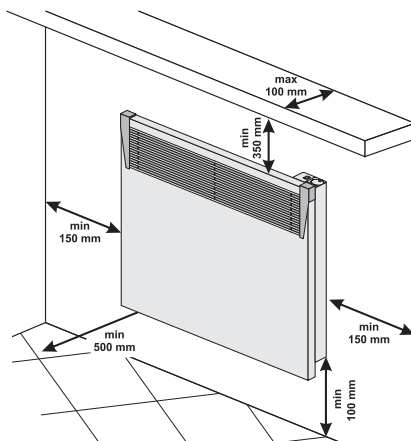
- De oorspronkelijke doos niet weggooien! Deze kan gebruikt worden voor het bewaren en het vervoeren om beschadigingen tijdens het transport te vermijden!
- Het weggooien van het verpakkingsmateriaal moet op geschikte wijze geschieden! Men moet oppassen dat de kinderen niet met de zakken van polyethyleen spelen.

MONTAGEAANWIJZINGEN

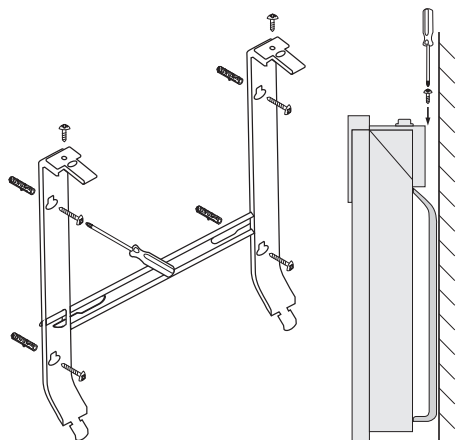
- Deze convector is ontworpen voor gebruik in binnenleefruimten en gemonteerd aan de wand.

 **Opmerking:** In ruimtes die groter dan 45m² wordt aangeraden een combinatie van 2 of meer convectors te gebruiken.

- De convector onder een stopcontact noch wandcontact niet plaatsen.
- De convector niet monteren/gebruiken:
 1. op een plaats waar er stuwkracht is om geen invloed op de controle-instellingen te hebben;
 2. direct onder een stopcontact;
 3. in de ruimte 1 (volume 1) voor badkamers;
 4. in de ruimte 2 (volume 2) indien de controlepaneel kan aangeraken worden door een persoon die onder de douche of in de badkuip;
- Voor de montage van de wandconvector moeten uitsluitend de meegeleverde wandbeugels gebruikt worden. De minimumafstanden moeten absoluut nageleefd worden



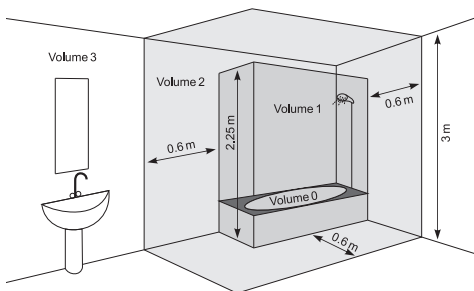
- Neem eerst de wandbeugels van de achterbehuizing af. Schroef de twee schroeven op de bovenkant van de twee verticale plaatjes op de wandbeugels los. Trek dan de bovenkant van het plaatje, terwijl u sterk drukt op de twee bovengedeelten, gestoken in de achterbehuizing.



- Schuif de wandbeugel naar beneden, om die van de achterbehuizing los te maken.
- Schroef de wandbeugel aan de muur vast door middel van de vier boorgaten.
- Hef de convector bijna verticaal op en steek de twee onderste uitstekende gedeelten van de wandbeugels in de twee onderste openingen in de achterbehuizing van de convector. Til dan de convector op en steek de twee bovenste uitstekende gedeelten van de wandbeugels in de twee bovenste openingen in de achterbehuizing van de convector. Laat daarna de constructie zakken en draai de twee schroeven aan, om de convector vast aan de muur te bevestigen.

GEbruIK IN EEN BADKAMER

- De convector moet gemonteerd worden in overeenstemming met het normale handelsgebruik en conform de wetgeving van het betreffende land (de EU-richtlijnen betreffende de elektriciteit en de vereisten voor bijzondere montage of plaatsen o.a. badkamers, douche cabines (HD60364-7-701 (IEC 60364-7-701:2006).



- Indien deze convector wordt gebruikt in een badkamer of dergelijke ruimte, moet voldaan worden aan de volgende vereisten voor de installatie: De convector

heeft bescherming IP24 (bescherming tegen waterspuiten). Daardoor moet het toestel in de ruimte 2 (volume 2) gemonteerd worden om het gevaar te vermijden dat het controlepaneel (schakelaar en thermoregelaar) van de convector aangeraken te worden door een persoon die onder de douche of in de badkuip staat. De minimale afstand ten opzichte van het toestel tot een waterbron moet niet minder dan 1 meter en het apparaat moet op de muur worden gemonteerd! Als u niet zeker bent over de installatie van deze convector in de badkamer, raden we aan met een beroepselectricien raad te plegen.

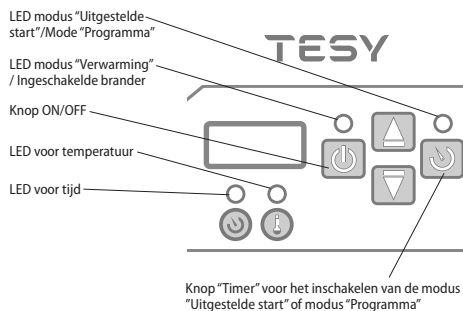
Opmerking: Indien men aan de bovenstaande vereisten niet kan voldoen, wordt aangeraden de montage in de ruimte 3 (volume 3) uit te voeren)


- In vochtige ruimtes (badkamers en keukens) moet de stroombron gemonteerd worden op een hoogte van ten minste 25 cm van de vloer.
- De installatie moet voorzien van automatische beschermer zijn waarbij de afstand tussen de stopcontacten bij ingeschakelde positie ten minste 3 mm moet zijn.

GEbruIKSAANWIJZINGEN

ELEKTRONISCHE BEDIENING

Werkmodus



Start de convector op, druk de knop in positie "I" (Ingeschakeld) .

Instelling van de klok

De instelling van de klok is alleen mogelijk in modus "Uitgeschakeld" – het is mogelijk de huidige dag van de week, uur en minuten in te stellen.

De instelling van de klok gebeurt door tegelijkertijd ingedrukt te houden de knoppen "ON/OFF" en "Timer". De in te stellen parameter knippert op de display. De desbetreffende parameter wordt gekozen door korte druk op de knop "Timer". Verlaat het menu door derde keer kort te drukken op de knop "Timer" (na de instelling van de minuten).

De instelling begint met de dag van de week van 1 tot 7 afhankelijk daarvan, welke dag van de week is en de dag wordt met het desbetreffende cijfer ingesteld. De uren en de minuten worden tegelijkertijd op de display weergegeven, maar knippert alleen de in te stellen parameter. De waarde van de parameter wordt door de knoppen ▲ en ▼ veranderd.

Als u binnen 10 sek geen keuze maakt, verlaat u het menu.

Activeren van de modus “Verwarming”

Als de convector uitgesloten is, wordt op het display de kamertemperatuur weergegeven en brandt alleen de “LED voor temperatuur”. Door eenmalig te drukken op de knop “On/Off” wordt de modus “Verwarming” gekozen. Dan brandt het rode LED-lampje, dat deze modus aanduidt. Voor ongeveer 2 seconden verschijnt op de display de ingestelde temperatuur en in die periode brandt de “LED voor tempatuur” niet. Als de kamertemperatuur lager is dan de ingestelde wordt de brander automatisch ingeschakeld.

Als de brander ingeschakeld is, brandt het rode lampje onafgebroken!

Instelling van de gewenste temperatuur

Druk op een van de knoppen ▲ of ▼ om de modus “Verandering van de ingestelde temperatuur” te kiezen. De display begint te knipperen en daarop wordt de op het ogenblik ingestelde temperatuur weergegeven. Door op de knoppen te drukken verandert de instelling naar boven of naar beneden. Als u binnen 5 seconden geen keuze maakt, wordt de nieuwe instelling opgeslagen en wordt automatisch de modus “Verwarming” ingeschakeld. Als u een van de knoppen ▲ of ▼ langer dan 0.7 seconden ingedrukt houdt, wordt de waarde van de temperatuur automatisch verhoogd of verlaagd met 4 eenheden per seconde. De temperatuurgrenzen zijn van 10 tot 30 graden.

“Uitgestelde start” van de inschakeling van de convector.


Als u in modus “Uitgeschakeld” op de knop “Timer” drukt, kunt u de tijdstip instellen, waarop de modus “Verwarming” automatisch ingeschakeld wordt. Deze modus wordt aangeduid door het branden van een geel LED-lampje en gedoofde rood lichtje. Op de display verschijnen achter elkaar de kamertemperatuur, wanneer de “LED voor temperatuur” brandt en de resterende tijd in uren totdat de modus “Verwarming” opstart, wanneer de “LED voor tijd” brandt. Meteen na het opstarten van deze modus, licht de gele led op, de display begint te knipperen en er wordt de ingestelde tijdstip in uren weergegeven, waarop de convector

wordt ingeschakeld. De fabrieksinstelling is voor 12 uur, maar door het drukken op de knoppen ▲ of ▼ kunt u de tijd veranderen. Als u een van de knoppen ▲ of ▼ langer dan 0.7 seconden ingedrukt houdt, wordt de waarde van de tijd automatisch verhoogd of verlaagd met 4 eenheden per seconde. Als u binnen 5 seconden geen keuze maakt of op de knop “Tiimer” drukt, wordt de modus “Uitgestelde start” geactiveerd. Selecteert u als tijd 00, wordt de modus niet geactiveerd. Als u tijdens de modus “Uitgestelde start” weer op de knop “Timer” drukt, kunt u de resterende tijd naar boven of naar beneden aanpassen. Na het instellen van de tijd begint de convector in modus “Uitgestelde start” te werken, waarbij op de display de resterende uren weergegeven worden totdat de modus “Verwarming” start. Deze modus kunt u verlaten door op de knop “On/Off” te drukken. Daarna start de modus “Verwarming” op. De “Uitgestelde start” kunt u instellen voor een periode van 01 tot 96 uur.

Uitschakelen van de modus “Verwarming”

De modus “Verwarming” kunt u verlaten door het drukken op de knop “On/Off”. De brander wordt uitgeschakeld, als die ingeschakeld was, de rode led gaat uit. De display toont de kamertemperatuur .

Functie “Vorstbeveiliging”

Als de kamertemperatuur tot beneden 5 graden daalt en de convector uitgeschakeld is (de rode led is uit, maar de schakelaar is in positie “I” (Aan) ), zal de brander automatisch opstarten om het systeem tegen vorst te beschermen.



De instelling van een temperatuurcorrectie van de temperatuurvoeler is niet mogelijk in deze functie.


Activeren en deactiveren van de functie:

- de functie is automatisch ingeschakeld
- deactiveren van de functie – als de convector in modus “Uitgeschakeld” is, klik tegelijkertijd op de knoppen ▲ en “On/Off” voor drie seconden – op de display begint „ON” te knipperen, druk op de knop ▼, totdat „OFF” verschijnt, wacht 3 seconden af en de functie zal automatisch gedeactiveerd worden.
- activeren van de functie – als de convector in modus “Uitgeschakeld” is, klik tegelijkertijd op de knoppen ▲ en “On/Off” voor drie seconden – op de display begint „OFF” te knipperen, druk op de knop ▼, totdat „ON” verschijnt, wacht 3 seconden af en de functie zal automatisch geactiveerd worden.

Functie temperatuurcorrectie van de voeler

Vanwege de specifieke temperatuur in de verschillende ruimtes kan op de display getoonde en de werkelijk gemeten temperatuur niet overeenstemmen afhankelijk van de plaats, waarop het verwarmingstoestel in de kamer geplaatst is.


- Controleer de temperatuur, die op de toesteldisplay wordt getoond
- Meet de temperatuur op een plaats, waar de temperatuur genoeg "comfortabel" voor u is (gewoonlijk op een hoogte van 60 cm van de vloer, als u zittend bent). Bij vastgesteld verschil van $\pm 4^{\circ}\text{C}$ kunt u de nodige correctie in het menu van de convector aanbrengen (Belangrijke voorwaarde – de functie kan ingesteld worden alleen na tempereren van de ruimte – het tempereren kan tot 7 uur duren afhankelijk van de ruimte).

 **Opmerking:** deze functie wordt gebruikt voor beter temperatuurcomfort en energiebesparing in de ruimte, waar zich de convector bevindt. Een verschil groter dan $\pm 4^{\circ}\text{C}$ tussen de gemeten temperatuur op de gewenste plaats in de kamer betekent dat de kamer, waar u de convector gebruikt niet goed geïsoleerd is of niet goed getemperd is.

Voorbeeld: convector geplaatst in een ruimte met een stenen vloer – weergave op de display 18°C (bij ingestelde 22°C), werkelijk gemeten temperatuur (gevoel van comfort) 22°C op een hoogte van 60 cm van de vloer - > in dat geval zal de convector de ruimte blijven verwarmen (dat is direct energieverlies, maar de convector kan de ingestelde temperatuur niet bereiken, omdat hij de temperatuur beneden bij de vloer meet) en zal nooit uitgeschakeld worden. In dit geval is het nodig een temperatuurcorrectie van $+4^{\circ}\text{C}$ van de voeler in te stellen – in dat geval zal de convector 22°C tonen en wordt uitgeschakeld – en zal de gewenste temperatuur van 22°C behouden.

Het normale toestand van de functie is 0°C

- als u de waarde wilt veranderen –als de convector in modus "Uitgeschakeld" is, klik tegelijkertijd op de knoppen ∇ en "On/Off" voor drie seconden – op de display begint „ 0°C ” te knipperen, druk op de knop ∇ of \blacktriangle , totdat op de display de temperatuurwaarde van „ -4°C ” tot „ 4°C ” verschijnt, wacht 3 seconden af en de functie zal automatisch opgeslagen worden.
- als u de temperatuurcorrectie wilt controleren – als de convector in modus "Uitgeschakeld" is, klik tegelijkertijd op de knoppen ∇ en "On/Off" voor drie seconden – op de display begint de ingestelde temperatuur te knipperen, druk op de knop ∇ of \blacktriangle , totdat u een nieuwe temperatuurwaarde van „ -4°C ” tot „ 4°C ” selecteert.

 **Opmerking:** na herstellen van de fabrieksinstellingen moet u opnieuw de temperatuurcorrectie instellen, de fabrieksinstelling is 0°C .

Adaptieve start

- de adaptieve startcontrole is een functie, die de optimale start van de verwarming plant en initieert, om de gekozen temperatuur in de gewenste tijdstip te bereiken
- de functie is automatisch geactiveerd
- als u de waarde wilt veranderen – als de convector in modus "Uitgeschakeld" is, klik tegelijkertijd op de knoppen \blacktriangle en "Timer" voor drie seconden – op de display begint „A_On" te knipperen, druk op de knop „ ∇ ”, totdat op de display „AOFF" verschijnt, wacht 3 seconden af en de functie zal automatisch opgeslagen worden.
- Om de functie opnieuw te activeren –als de convector in modus "Uitgeschakeld" is, klik tegelijkertijd op de knoppen \blacktriangle en "Timer" voor drie seconden – op de display begint „AOFF" te knipperen, druk op de knop ∇ , totdat op de display „A_On" verschijnt, wacht 3 seconden af en de functie zal automatisch opgeslagen worden.


Deze functie wordt naar uw voorkeur ingesteld. Het toestel volgt de geselecteerde "comfort" temperatuur en bereikt stabiele toestand na 17 uur – deze temperatuur is een referentie-comforttemperatuur. Er moet ook een periode van minimum 7 uur met lagere dan de comforttemperatuur met een verschil van $4^{\circ}\text{C} \pm 1^{\circ}\text{C}$ ingesteld worden. Bij geactiveerde adaptieve start – laat de elektronische thermoregelaar van het toestel in 4 cycli (4 x 24 uur) werken - met comfortcycli (17 uur) en lagere temperatuur (7 uur). Na de laatste cyclus met lagere temperatuur moet de comforttemperatuur met ± 30 minuten afwijking van de ingestelde tijd bereikt worden – met een maximumverschil van $\pm 1^{\circ}\text{C}$ van de referentie-comforttemperatuur.

"Kinderbeveiliging"

U kunt de drukknoppen vergrendelen door tegelijkertijd op de pijl ∇ en op de knop "Timer" te drukken, om een verandering van de instellingen te voorkomen. Herhaal de stappen voor ontgrendelen van de drukknoppen.

 **Opmerking:** als u bij vergrendeld toestelbord op de knoppen drukt, moet op de display „LOC_" verschijnen.

Instelling van het "Weekprogramma 24/7"

 De instellingen in de modus "Weekprogramma" zijn alleen mogelijk, als op het toestel de uur en de dag van de week zijn ingevoerd.

Activeren en deactiveren van deze modus gebeurt als u de knop "Timer" ingedrukt houdt.

De in te stellen parameters zijn drie – dag van de week, uur en temperatuur, waarbij de overschakeling naar een andere parameter gebeurt door korte druk op de knop "Timer" in de volgorde dag, uur, temperatuur. De keuze

NL wordt opgeslagen door korte druk op de knop "Timer" na het instellen van de laatste parameter – temperatuur.

De verandering van de waarde van elke parameter gebeurt door de knoppen ▲ en ▼.

Voorwaarden voor de instelling

- Wanneer de waarde van een punt opgeslagen is, kan dit punt veranderd worden pas na het verlaten van het menu.
- Als u de instelling van het eerste referentiepunt op een dag opslaat, worden alle andere punten voor dezelfde dag vooraf verwijderd.
- Instelling van de volgende punten voor de gekozen dag is mogelijk alleen voor de uren tot het einde van de dag na het laatst ingestelde punt.
- Als u de instelling voor de laatste uur van de dag – 23.5h heeft opgeslagen, kunt u geen veranderingen meer maken in het gekozen menu. Op de display verschijnt de tekst FUL en het nummer van de dag.
- Als er op een dag geen instellingen worden opgeslagen, wordt voor deze dag de voorheen gemaakte keuze bewaard.

De bedoeling van deze modus is de drie parameters in de zogenaamde referentiepunten (SET POINTS) op te slaan, waarbij de geselecteerde temperatuur voor elk referentiepunt wordt gevolgd totdat het volgende punt wordt bereikt.

Voorbeeld: Als u op een bepaalde dag om 7 uur de temperatuur op 22°C heeft ingesteld en deze temperatuur moet worden behoudt tot 19 uur (om die tijd moet die 23°C worden), hoeft u de temperatuur voor elke afzonderlijke uur tot 19 uur niet in te stellen, maar u moet alleen de temperatuur 23°C om 7 uur en de temperatuur 23°C om 19 uur opslaan. Op die manier blijft de temperatuur in deze periode (7-19 uur) 22°C.

De manier voor instelling van elk punt is de volgende:

het kiezen van het menu wordt op de display dAY1 weergegeven, waarbij het cijfer knippert, wat betekent dat deze parameter veranderd kan worden (in dit geval dag van de week).

- Selecteer met de knoppen ▲ en ▼ de gewenste dag
- Door kort op de knop "Timer" te drukken wordt overgeschakeld naar de instelling van de uur.
- Met knoppen ▲ en ▼ wordt de gekozen tijdstip (met stap 0.5h) voor het desbetreffende punt geselecteerd.
- Door kort op de knop "Timer" te drukken wordt overgeschakeld naar de instelling van de temperatuur.
- Met knoppen ▲ en ▼ wordt de gewenste

temperatuur gekozen. De temperatuur kan variëren van 10 tot 30°C of uitgeschakeld in positie OFF.

- Door kort op de knop "Timer" te drukken worden de instellingen voor dit punt opgeslagen en wordt overgeschakeld naar het volgende punt (op de display verschijnt opnieuw dAYX).
- Na het opslaan van de laatste uur voor de dag – 23.5h kunnen de instellingen in het gekozen menu niet meer veranderd worden en op de display verschijnt de tekst FUL_ en het nummer van de dag.



ATTENTIE: De referentiepunten op een dag kunnen alleen in stijgende volgorde van de uren opgeslagen worden.



Opmerking: voordat u paragraaf f) hebt voltooid, kunt u terugkeren naar paragraaf a) om de drie parameters voor het desbetreffende referentiepunt aanpassen door kort op de knop ON/OFF te drukken zonder de gekozen waarde op te slaan.

U kunt willekeurig punten toevoegen op een dag, maar alleen als u de regel voor de stijgende volgorde van de uren op de dag volgt.

U kunt het menu verlaten door lang ingedrukt te houden van de knop "Timer" of door 30 seconden af te wachten.

U kunt de opgeslagen punten controleren via de knoppen ▲ en ▼, wanneer het toestel in de modus "Programma" is.



Opmerking: na opstarten begint het toestel te werken in de laatst gekozen modus ("Verwarming" of "Programma").



Opmerking: Overschakelen van een modus na de andere ("Verwarming" of "Weekprogramma") gebeurt door kort te drukken op de knop **Timer** als de convector ingeschakeld is.

Functie "Reset van de fabrieksinstellingen"

Als de convector uitgeschakeld is, druk gelijktijdig op de knoppen ▲ en ▼ voor zes seconden – op de display begint „_ _ _” te knipperen en de symbolen beginnen te draaien. Wanneer de fabrieksinstellingen hersteld zijn, toont de display de gemeten waarde van de kamertemperatuur.

Na de "Reset"-functie moet u opnieuw de onderstaande functies instellen:

- de klok gelijkzetten
- de waarde van de temperatuurcorrectie vaststellen (indien nodig)
- deactiveren van de modus "Vorstbeveiliging" (indien nodig)

- deactiveren van de Adaptieve start (indien nodig)
- “Weekprogramma – 24/7” instellen

Als de voeding van de elektrische convector uitgeschakeld wordt, zal dat de ingestelde temperatuur en de werkmodus niet veranderen. Bij voorbeeld als het toestel in de modus “**Verwarming**” uitgeschakeld wordt, zal het na de inschakeling opnieuw in deze modus met dezelfde ingestelde temperatuur blijven werken.



Het principe van de elektrische convector met energieonafhankelijk geheugen is de instellingen gegarandeerd tot 90 minuten en niet geëxtraerd tot 150 minuten te behouden.

Als de kamertemperatuur lager is dan de gewenste wordt de convector ingeschakeld en blijft werken totdat de kamertemperatuur de gekozen waarde bereikt. Als de kamertemperatuur hoger is dan de ingestelde waarde, zal de convector automatisch overschakelen naar de modus “Gereed”.

Weergegeven informatie op de display

Indicatie als de convector niet ingesteld is:

a. In modus “Uit” – weergave achtereenvolgens van:

- klok (uur en minuten)
- de gemeten kamertemperatuur

b. In modus “Verwarming” – toont de gemeten kamertemperatuur

c. In modus “Weekprogramma” – weergave achtereenvolgens van:

- dag van de week, laag streepje en de gemeten temperatuur 6_22
 - dag van de week, laag streepje en knipperende ingestelde temperatuur (voor de desbetreffende tijdstip), dat ook het symbool OFF kan zijn 6_23
- d. Na de aansluiting van de convector aan het elektriciteitsnet verschijnen op de display:
- streepjes “----” als op het moment van de uitschakeling van de elektrische voeding het toestel “uit” was.
 - streepjes “----” die na twee seconden worden vervangen door de huidige temperatuur, als op het moment van de uitschakeling van de elektrische voeding het toestel “aan” was.

e. Twee cijfers (01 ÷ 96) in combinatie met knipperende gele lichtje, die de resterende tijd in uren tot de

uigestelde start aanduiden, als op het moment van de uitschakeling van de elektrische voeding het toestel in modus “Uitgestelde start” was.

- f. Voor bijvoegelijke energiebezuiniging vermindert de elektrische thermoregelaar de lichtsterkte van alle indicators. Bij drukken op een willekeurige knop neemt de lichtsterkte voor 8 seconden toe, waarna die opnieuw zwakker wordt.
- g. Als op de display “t0” of “t1” verschijnt, betekent dat het systeem een probleem in de thermosensor heeft ontdekt. “t0” betekent beschadigde kabel en “t1” – kortsluiting van de sensor. In dit geval moet de convector uitgeschakeld worden en die kan opnieuw ingeschaald worden na verwijdering van het defect. De storing moet verholpen worden door een gekwalificeerde technicus.
- h. Bij aansluiting van de elektrische voeding zullen binnen 2 seconden op de display streepjes “----” verschijnen in plaats van temperatuur en tijd.
- i. Wanneer de display de temperatuur toont, brandt de “LED voor temperatuur”, als het scherm de tijd tot de uigestelde start weergeeft, brandt de “LED voor tijd”.

BESCHERMING

- Dit toestel is voorzien van een beschermende thermo-uitschakelaar die automatisch de verwarmers uitschakelt in geval van een verhoogde temperatuur binnen de convector boven de toegelaten waarden (met name oververhitting van het toestel).
- De beschermende thermo-uitschakelaar herstelt automatisch de werking van de convector zodra de temperatuur van het toestel onder de toegelaten waarden daalt.

SCHOONMAKEN

- Eerst moet u het toestel met de schakelaar uitschakelen en de stekker uit het stopcontact uithalen trekken. Alvorens de convector te beginnen schoon te maken, laat deze afkoelen door het toestel van het stopcontact uit te schakelen.
- Convector kan worden gereinigd met minimale inspanning in de rug – eenvoudig druk op de „P” gevormde haakjes aan de achterkant van het apparaat, dus je kunt het vrijmaken respecteer de achterkant schoonmaken.
- Het corpus met een vochtige doek, stofzuiger of borstel schoonmaken.
- Het toestel nooit in water laten zinken – ontstaat levensgevaar en gevaar voor elektrische schok.

- Gebruik nooit benzine, oplosmiddelen of grove abrasieve middelen om het toestel schoon te maken, want deze zullen het toestel beschadigen.

BEWARING

- Преди да приборете конвектора, оставете го да Alvorens de convector op te slaan, laat deze afkoelen door het toestel van het stopcontact uit te schakelen.
- Gebruik de originele verpakking om de convector te bewaren, indien deze voor bepaalde tijd zal niet worden gebruikt. Het product wordt verdedigd voor overvloedig stof en vuil door dit in de originele verpakking daarvan op te slaan.
- Een warm toestel nooit in de verpakking daarvan nooit opslaan!
- Het product droog en beschermd tegen zonlicht bewaren.
- Bewaring van dit toestel in vochtige of natte ruimtes is streng verboden

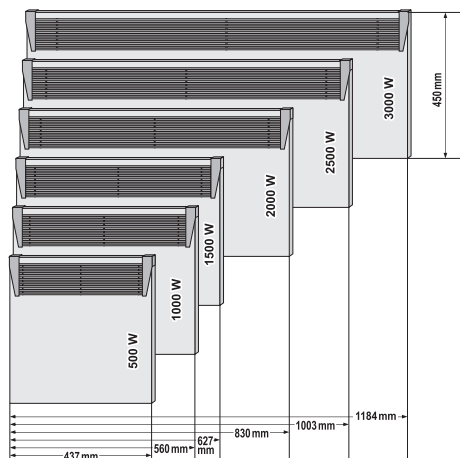
SERVICE EN ONDERHOUD VAN HET TOESTEL

- In geval van gebrek van het toestel neem contact op met het erkende servicepunt in de buurt. (de erkende servicepunten staan vermeld op de garantietaal van dit artikel).
- **Opmerking:** In geval van aanspraak en/of schending van uw gebruikersrechten, neem contact op met de leverancier van dit toestel op de aangegeven adressen of op de website van het bedrijf: www.tesy.com

GROOTTES VAN HET TOESTEL, VERWARMDE RUIMTE EN OPPERVLAK IN EEN RUIMTE

Model	Verwarme ruimte	Verwarmd oppervlak
CN 03 050 EIS W - 500W	10* - 15 m ³	4* - 6 m ²
CN 03 100 EIS W - 1000W	20* - 30 m ³	8* - 12 m ²
CN 03 150 EIS W - 1500W	30* - 45 m ³	12* - 18 m ²
CN 03 200 EIS W - 2000W	40* - 60 m ³	16* - 24 m ²
CN 03 250 EIS W - 2500W	50* - 70 m ³	20* - 28 m ²
CN 03 300 EIS W - 3000W	60* - 80 m ³	24* - 32 m ²

*Minimaal gegarandeerde verwarme ruimte (verwarmd oppervlak) voor verwarming bij gemiddelde warmtegeleidingscoëfficiënt $\lambda = 0,5W (m^2K)$ voor de verwarme ruimte. De hogere waarden van de verwarme ruimte (het verwarme oppervlak) worden bereikt bij gemiddelde waarde van $\lambda = 0,35W (m^2K)$. De standaardhoogte van de ruimtes is 2,5 m.



Let op: het toestel niet bedekken om oververhitting te vermijden!



Instructies voor milieubescherming

De oude toestellen bevatten waardevolle stoffen en daarom hoeven deze niet samen met het huishoudelijke afval te worden weg gebracht! Gelieve actief mede te werken voor de bescherming van de natuurmiddelen en milieu en het toestel bij de geregelde aankooppunten (indien deze aanwezig zijn) te deponeren.

2. INFORMATIE-EISEN VOOR ELEKTRISCHE TOESTELLEN VOOR LOKALE RUIMTEVERWARMING

Modela-identifikators(-i): 1.CN03 050 EIS W; 2.CN03 100 EIS W; 3.CN03 150 EIS W; 4.CN03 200 EIS W; 5.CN03 250 EIS W; 6.CN03 300 EIS W 230V~ 50Hz

Item	Symbol	Waarde 1	Waarde 2	Waarde 3	Waarde 4	Waarde 5	Waarde 6	Eenheid	Item	Eenheid
Warmteafgifte									Type warmte-input, uitsluitend voor elektrische warmteopslagtoestellen (selecteer één)	
Nominale warmteafgifte	P_{nom}	0.50	1.00	1.50	2.00	2.50	3.00	kW	Handmatige sturing van de warmteopslag, met geïntegreerde thermostaat	[neen]
Minimale warmteafgifte (indicatief)	P_{min}	0.00	0.00	0.00	0.00	0.00	0.00	kW	Handmatige sturing van de warmteopslag, met kamer- en/of buitentemperatuurfeedback	[neen]
Maximale continue warmteafgifte	$P_{max,C}$	0.50	1.00	1.50	2.00	2.50	3.00	kW	Elektronische sturing van de warmteopslag, met kamer- en/of buitentemperatuurfeedback	[neen]
Aanvullend elektriciteitsverbruik									Door een ventilator bijgestane warmteafgifte	[neen]
Bij nominale warmteafgifte	$e_{l,max}$	0.43	0.93	1.44	1.91	2.45	2.91	kW	Type warmteafgifte/sturing kamertemperatuur (selecteer één)	-
Bij minimale warmteafgifte	$e_{l,min}$	0.00	0.00	0.00	0.00	0.00	0.00	kW	Eentrapswarmteafgifte, geen sturing van de kamertemperatuur	[neen]
In stand-bymodus	$e_{l,SB}$			0.00033				kW	Twee of meer handmatig in te stellen trappen, geen sturing van de kamertemperatuur	[neen]
									Met mechanische sturing van de kamertemperatuur door thermostaat	[neen]
									Met elektronische sturing van de kamertemperatuur	[neen]
									Elektronische sturing van de kamertemperatuur plus dag-tijdschakelaar	[neen]
									Elektronische sturing van de kamertemperatuur plus week-tijdschakelaar	[ja]
									Andere sturingsopties (meerdere selecties mogelijk)	[neen]
									Sturing van de kamertemperatuur, met aanwezigheidsdetectie	[neen]
									Sturing van de kamertemperatuur, met openraamdetectie	[neen]
									Met de optie van afstandsbediening	[neen]
									Met adaptieve sturing van de start	[ja]
									Met beperking van de werkingstijd	[neen]
									Met black-bulbsensor	[neen]

TESY Ltd
48 Madara Blvd,
Shumen, 9700,
Bulgaria



TESY

TESY Ltd - Head office
1166 Sofia, Sofia Park,
Building 16V, Office 2.1. 2nd Floor
PHONE: +359 2 902 6666,
FAX: +359 2 902 6660,
office@tesy.com