

Stick

85131X-CR

TECHNICAL INFORMATION

Sliding rail kit composed of: sliding rail with double adjustment on both wall holders Ø20 mm h 90 cm. Max. fixation distance 79 cm. Min. fixation distance 42 cm. Non-liming inspectable one-jets shower in ABS. Smooth double anti-torsion PVC flexible hose, 150 cm. CHROME

FEATURES



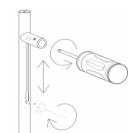
rain jet



Non-liming



double anti-torsion



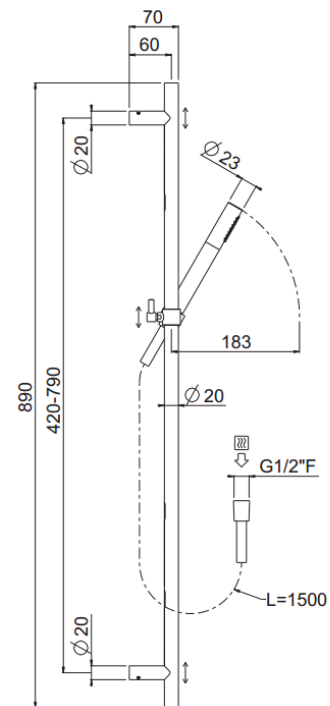
shaft adjusting in both supports

PICTURE



SPARE PARTS

TECHNICAL DRAWING



FINISHINGS

