

# Stick

**85135X-CR**

## TECHNICAL INFORMATION

Sliding rail kit composed of: elbow, sliding rail with double adjustment on both wall holders  $\varnothing 20$  mm h 90 cm. Max. fixation distance 79 cm. Min. fixation distance 42 cm. Non-liming inspectable one-jets shower in brass. Smooth double anti-torsion PVC flexible hose, 150 cm. CHROME

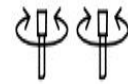
## FEATURES



rain jet



Non-liming



double anti-torsion



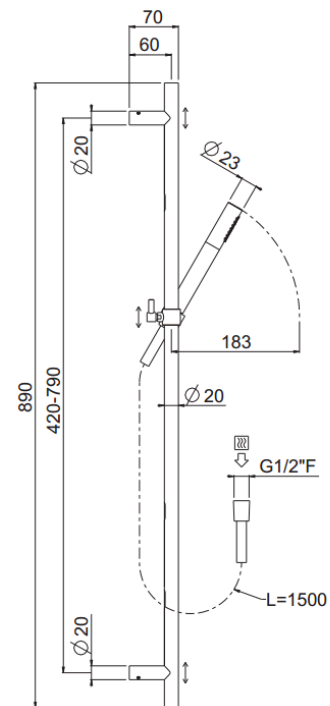
shaft adjusting in both supports

## PICTURE



## SPARE PARTS

## TECHNICAL DRAWING



## FINISHINGS

