

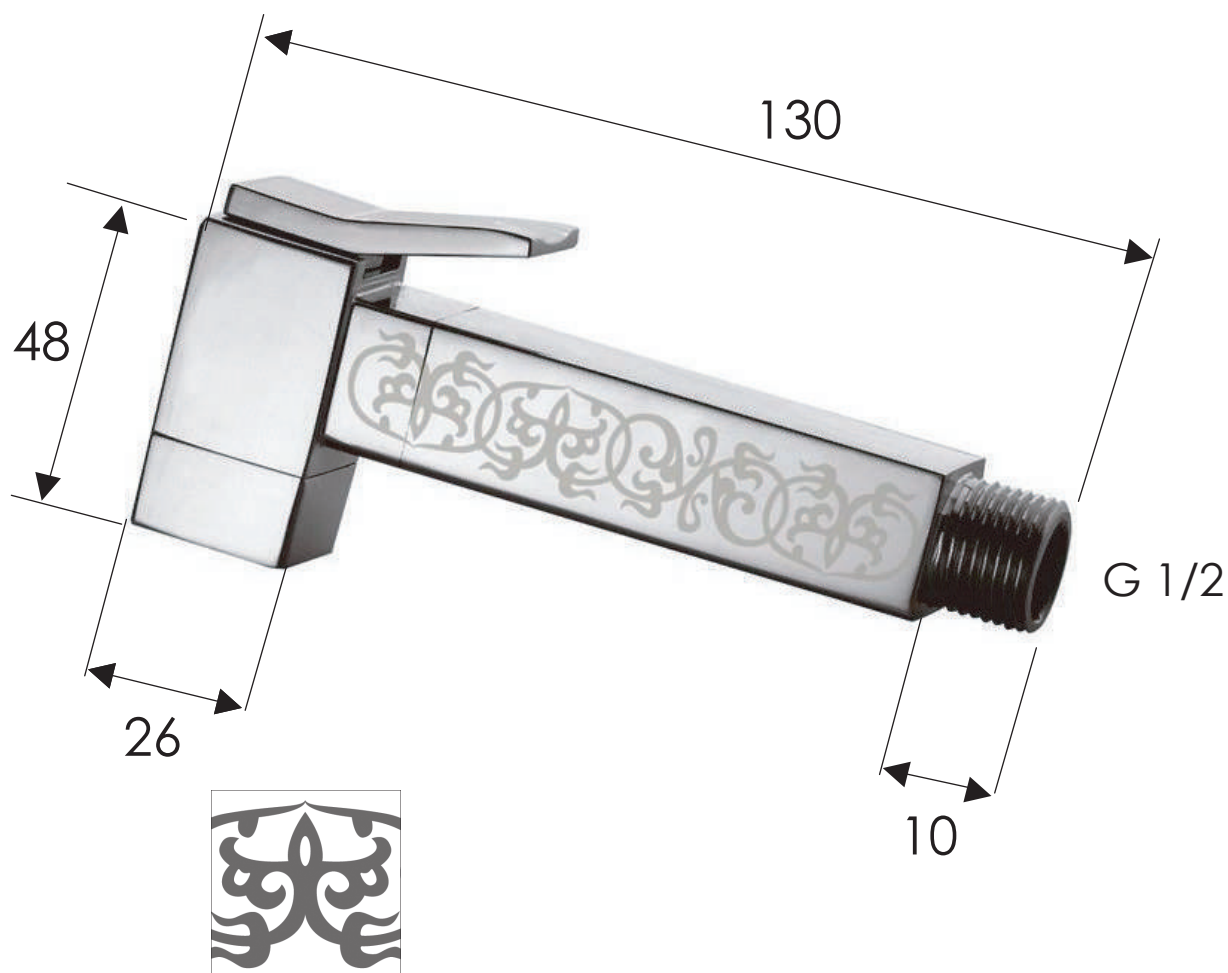
**DANIEL**  
RUBINETTERIE

MILANO

SCHEDA TECNICA TECHNICAL FEATURES

ART. COD.

**1010DCYG**



### MATERIALI / MATERIALS

OTTONR CROMATO / CHROME PLATED BRASS  
CuZn37Pb2Ni1AlFe CB753S UNI EN 12420 2000

### CROMATURA / CHROME PLATING

UNI EN 248

Via Leonardo da Vinci 53 20062 Cassano d'Adda (MI) Italy Tel. +39-0363 62651  
info@daniel.it www.daniel.it