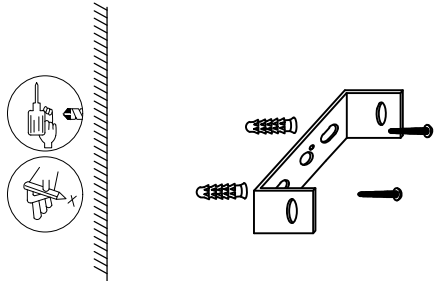
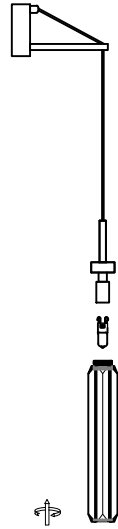


1



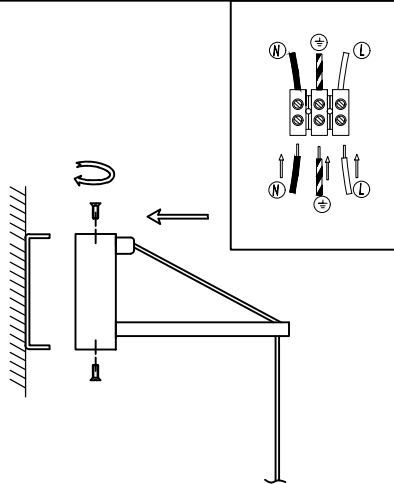
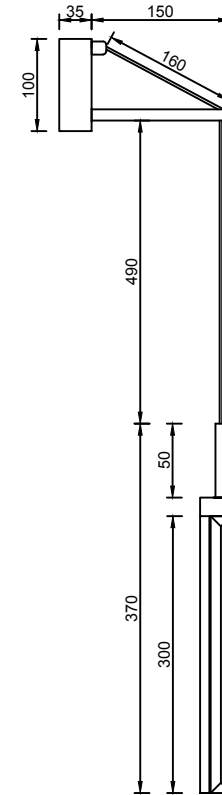
First, Mark the hole of the panel on the wall, then insert the expansion screw into the wall, then fix the panel to the wall with the self-tapping screw.

2

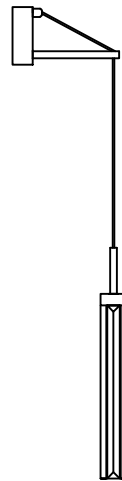


As shown in the picture, first insert the bulb into the lamp cap and then lock the lamp shade.

Model: 4521L/A



As shown in the picture on the right, connect the main line to the power cord on the ceiling (Note: When connecting, the main switch should be closed), then lock the suction top plate on the panel and turn the main switch on to test the power.



Installation complete.



Safety precautions:

1. The power do not exceed the prescribed range (rated voltage AC220-240V 50Hz).
2. Please cut off the power supply while replacing the light source and other maintenance operation .
3. The plate fixed on the ceiling must be able to withstand the weight more than 3 times of the object.
4. After installation is complete, check the glass right or not? If it is damaged, it should be replaced immediately.