

38-8.1-_-_-EV4

Deck Mounted 5 Hole Bath Set with Hand Shower

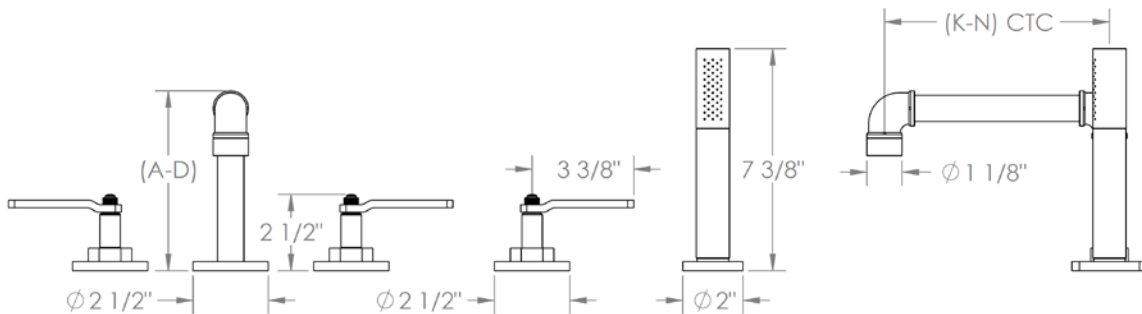
Hand Shower Flow Rate: 1.75 GPM

Note: Please specify (A-D, K-N)

Note: Some building codes may require a remote pressure balance valve for anti-scald, such as the SS-PB50.



HEIGHT	PROJECTION
A = 4"	K = 5.5"
B = 6"	L = 6.5"
C = 8"	M = 7.5"
D = 10"	N = 8.5"



Meets the applicable requirements of ASME A112.18.1-2005/CSA B125.1-05, entitled "Plumbing Supply Fittings"

WATERMARK DESIGNS 6/29/2018

350 Dewitt Ave Brooklyn NY 11207 USA T 718 257 2800 F 718 257 2144 info@watermark-designs.com