

Adjustable Tonika

91110X/REG-CR

TECHNICAL INFORMATION

Sliding rail kit composed of: sliding rail $\varnothing 24$ mm h 75 cm with soap dish. Max. fixation distance 66 cm. Non-liming 5 jets inspectable shower in ABS, $\varnothing 80$. Double spiral flexible hose, 150 cm. CHROME

FEATURES



rain jet



hydromassage jet



rain jet + hydromassage



soft shower jet



rain jet + soft



Non-liming



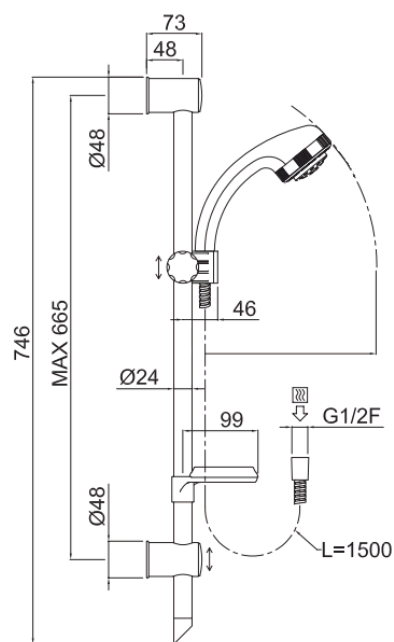
esplosio tonika 2

PICTURE



SPARE PARTS

TECHNICAL DRAWING



FINISHINGS

