

Adjustable Nova

95501X/REG-CR

TECHNICAL INFORMATION

Sliding rail kit composed of: sliding rail $\varnothing 24$ mm h 75 cm with soap dish. Max. fixation distance 66 cm. Non-liming 3 jets shower in ABS, $\varnothing 100$. Double spiral flexible hose, 150 cm. CHROME

FEATURES



rain jet



central jet



side jet

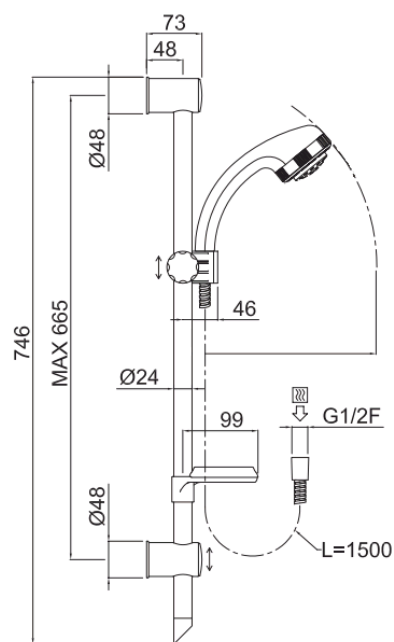


Non-liming

PICTURE



TECHNICAL DRAWING



SPARE PARTS

FINISHINGS

