

## MISCELLANEOUS

Z94651

Termostatico incasso doccia con rubinetto d'arresto. / Built-in thermostatic shower mix with stop valve.



Termostatico incasso doccia da 1/2", con rubinetto d'arresto integrato e deviatore a 2 vie.


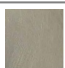
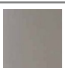
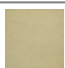
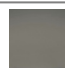
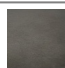



1/2 built-in thermostatic shower mixer with integrated stop valve and 2 way diverter.

R98662



Parte incasso. / Built-in part.

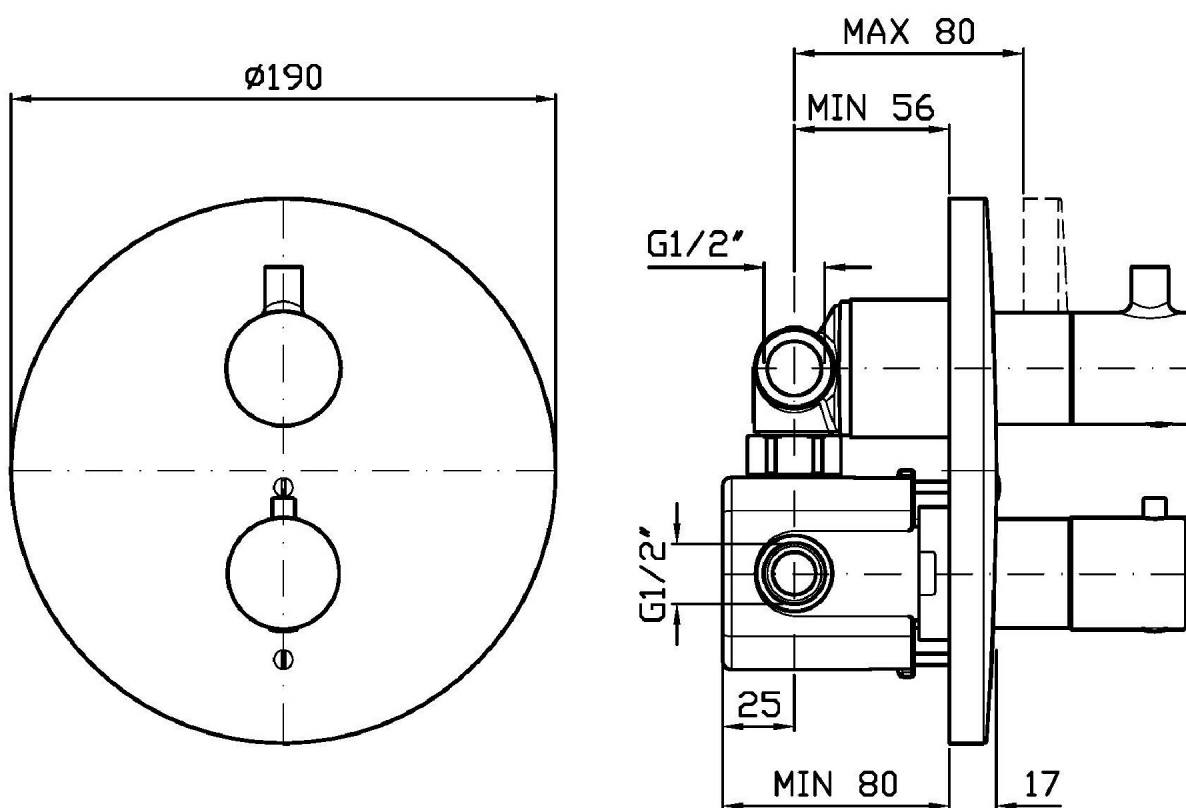
### Finiture / Finishes

						
Cromo / Chrome	Nickel Spazzolato / Brushed Nickel	Nickel Lucido / Polished Nickel	Oro / Gold	Oro spazzolato / Brushed Gold	Metal Black / Metal Black	Metal Black spazzolato / Brushed Metal Black
						
Bianco Opaco Goffrato / Embossed Matt White	Nero Opaco Goffrato / Embossed Matt Black	Nero Soft Touch / Soft Touch Black				

## MISCELLANEOUS

Z94651

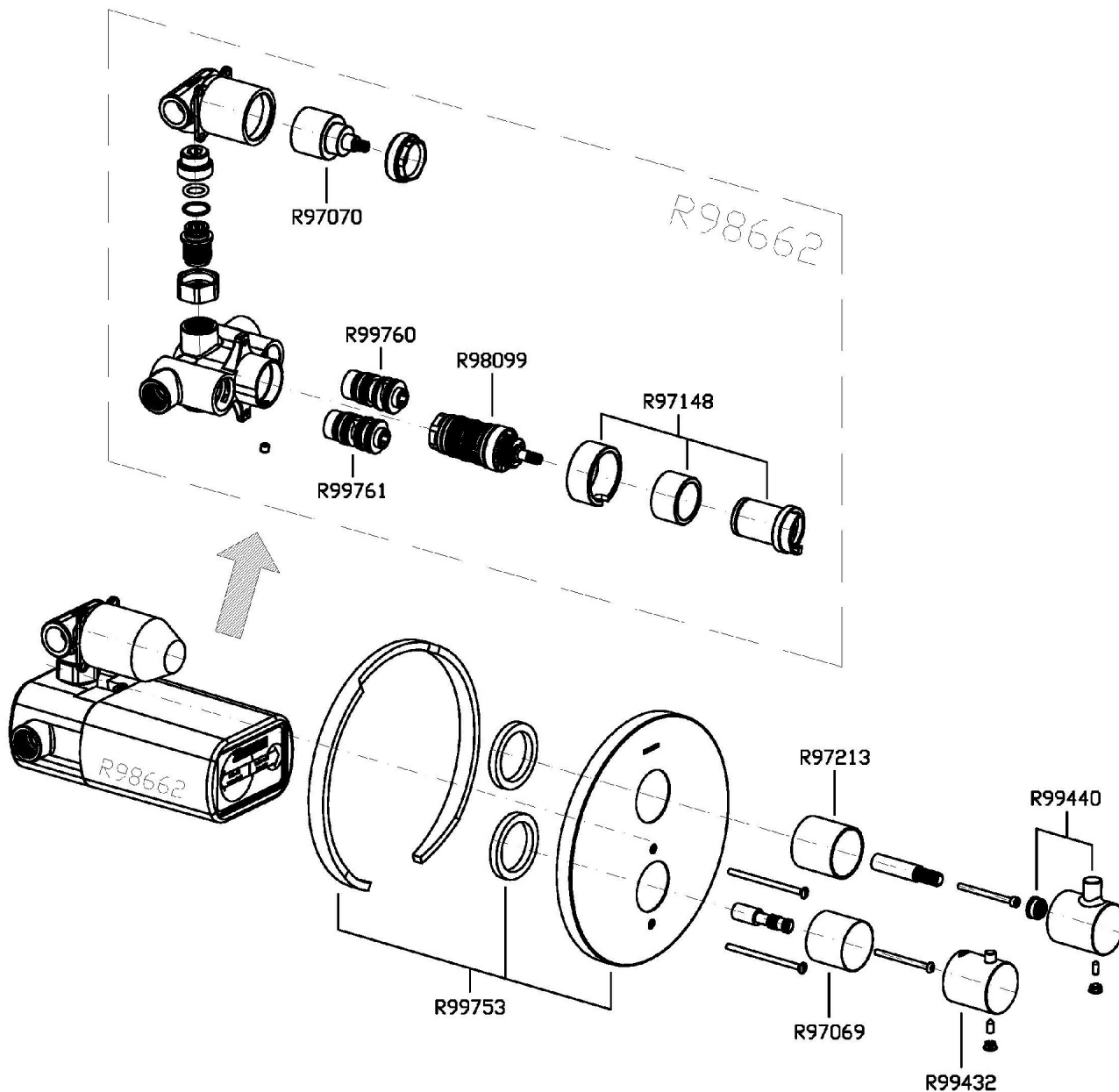
Disegno Complessivo / Overall Drawing



## MISCELLANEOUS

Z94651

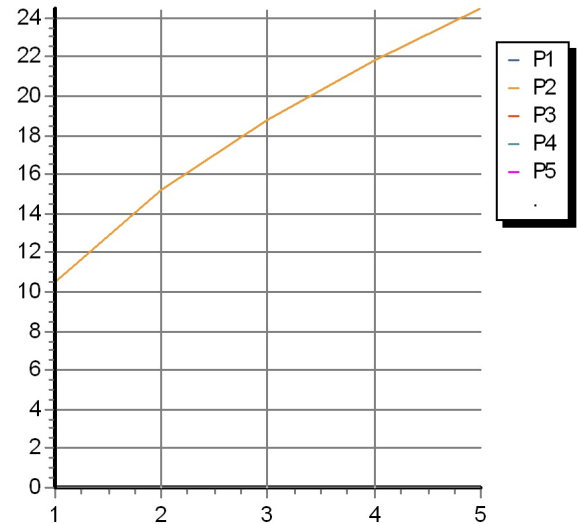
Esplosi / Exploded



## MISCELLANEOUS

Z94651 Portate / Flowrates (lt/min)

PRESSIONE PRESSURE	1 BAR	2 BAR	3 BAR	4 BAR	5 BAR
DEV. USCITA 1 DIV. OUTLET 1 <i>P1</i>	10,5	15,2	18,8	21,8	24,5
DEV. USCITA 2 DIV. OUTLET 2 <i>P2</i>	10,5	15,2	18,8	21,8	24,5
<i>P3</i>					
<i>P4</i>					
<i>P5</i>					



## MISCELLANEOUS

Z94651 Pesì e Misure / Weights and Sizes

Peso ( Kg ) Weight ( lb )	1,09 ( Kg )	2,40 ( lb )
Volume test ( dc3 ) - ( in3 )	3,32 ( dc3 )	202,60 ( in3 )
h ( mm ) - ( in )	93,00 ( mm )	3,66 ( in )
L1 ( mm ) - ( in )	162,00 ( mm )	6,38 ( in )
L2 ( mm ) - ( in )	220,00 ( mm )	8,66 ( in )

