

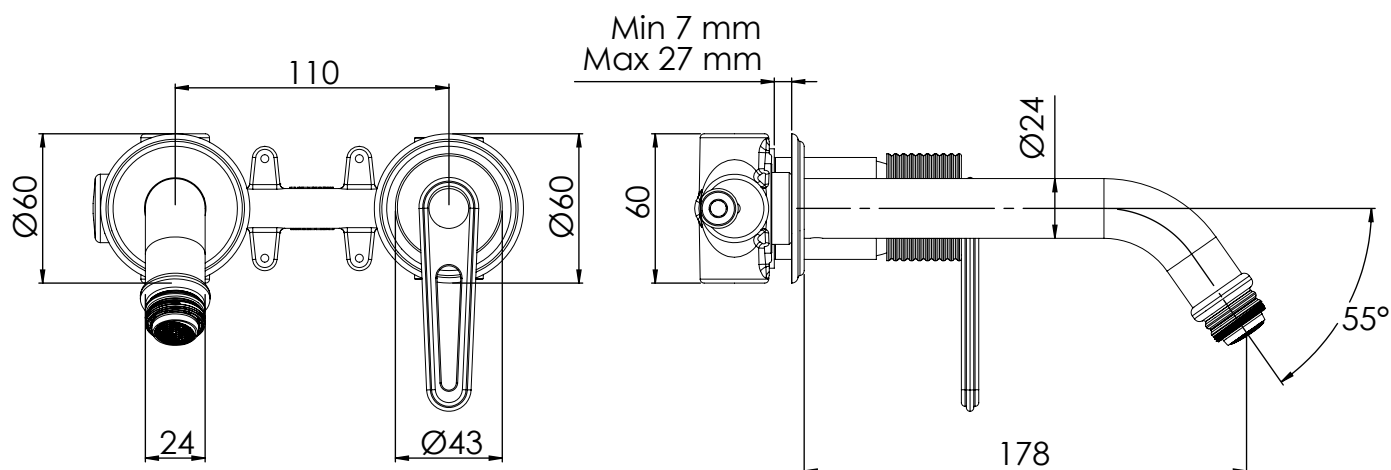
DANIEL
RUBINETTERIE

MILANO

SCHEDA TECNICA TECHNICAL FEATURES

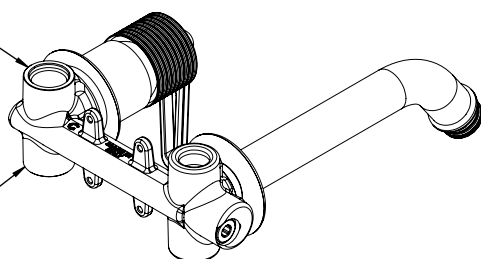
ART. COD.

BY632P



ENTRATA ACQUA FREDDA
COLD WATER INLET
G1/2"

ENTRATA ACQUA CALDA
HOT WATER INLET
G1/2"



MATERIALI / MATERIALS

OTTONE CROMATO / CHROME PLATED BRASS

CROMATURA / CHROME PLATING

UNI EN 248

Via Leonardo da Vinci 53 20062 Cassano d'Adda (MI) Italy Tel. +39-0363 62651
info@daniel.it www.daniel.it