

## BOND

Bond Wall Mounted Tub Spout

BTS001



### TECHNICAL DETAILS

---

Fittings Hole Diameter: 1 3/8"  
Inlet Connection Size: 1/2"  
Inlet Connection Type: Male NPT  
Number of Holes: One Hole  
Primary Material: Brass  
Water Pressure Maximum: 85.0 psi  
Water Pressure Minimum: 20.0 psi  
Water Pressure Recommended: 45.0 psi

### INSPIRATION

---

Modern bath designs infused with rare soul and artistry. Explore a range of statement-making elements: fittings, washstands, mirrors and more.

### PRODUCT FEATURES

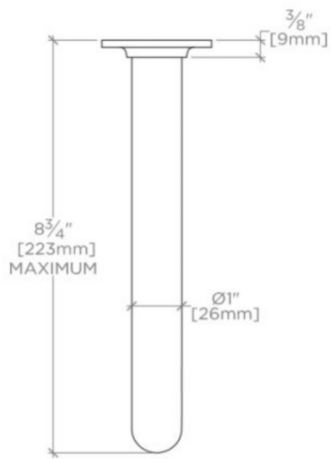
---

Wall Mounted  
Stocked in Chrome, Nickel, Brass and Dark Nickel  
Unrestricted flow

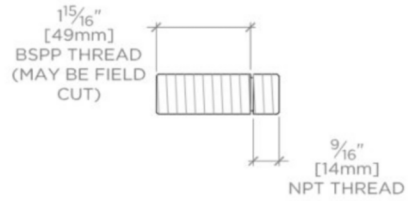
## BOND

BTS001

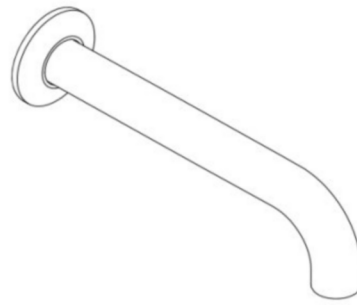
### Bond Wall Mounted Tub Spout



TOP VIEW SCALE: 3"=1'-0"



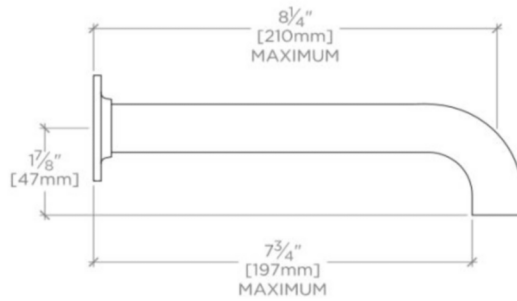
ADAPTER INCLUDED - INTERNATIONAL USE ONLY



ISO VIEW SCALE: 3"=1'-0"



FRONT VIEW SCALE: 3"=1'-0"



SIDE VIEW SCALE: 3"=1'-0"