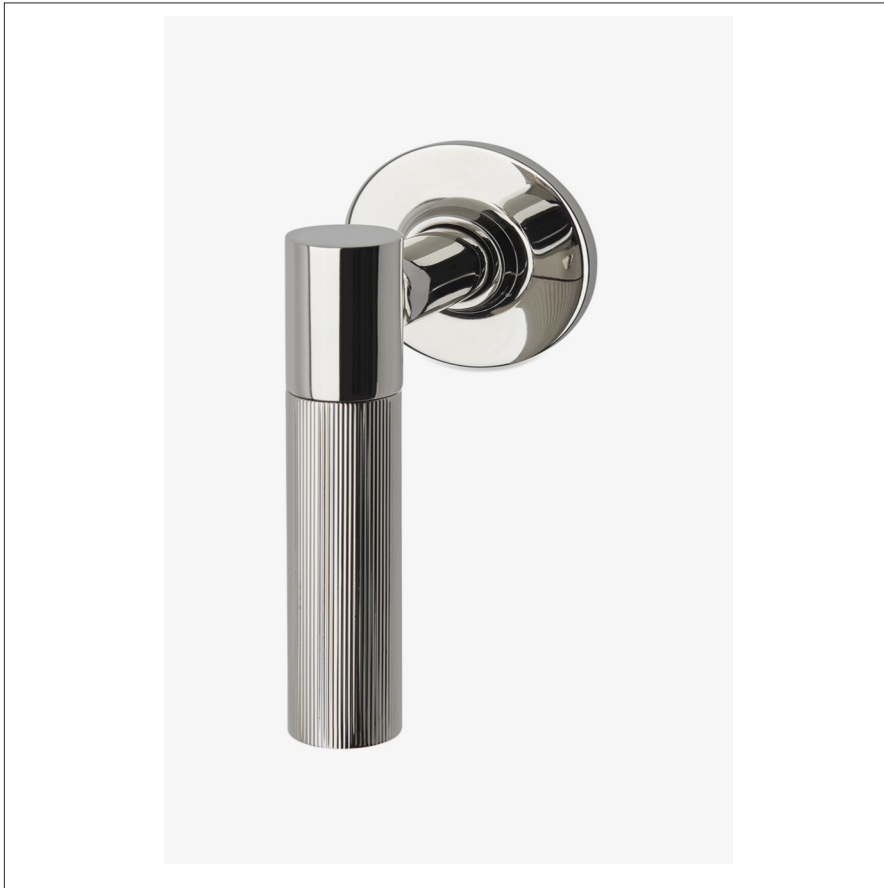


BOND

BVC12A

Bond Tandem Series Volume Control with Guilloche Lines Lever Handle



TECHNICAL DETAILS

ADA Compliance: Yes
Control Valve Rough-in Depth Minimum: 2 1/2"
Fittings Hole Diameter: 1 3/8"
Handle Turn Angle: Quarter Turn
Integrated Diverter: N
Number of Holes: One Hole
Primary Material: Brass

INSPIRATION

Modern bath designs infused with rare soul and artistry. Explore a range of statement-making elements: fittings, washstands, mirrors and more.

PRODUCT FEATURES

Lever Handle

Used to control water flow to a single waterway outlet such as a showerhead, handshower, or tub spout

Features Linear Guilloche Etching Handle

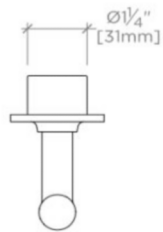
Stocked in Nickel and Brass

Requires rough valve, sold separately: GUV18/ GUV19 or GUV16 /GUV17

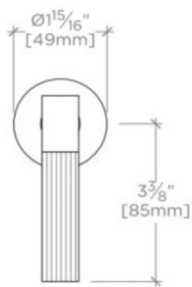
BOND

BVC12A

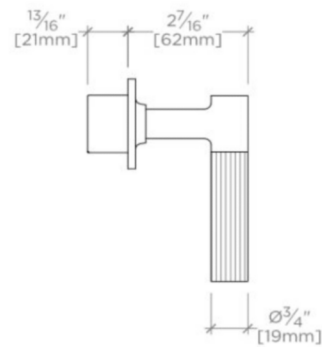
Bond Tandem Series Volume Control with Guilloche Lines Lever Handle



TOP VIEW SCALE: 3"=1'-0"



FRONT VIEW SCALE: 3"=1'-0"



SIDE VIEW SCALE: 3"=1'-0"