



Dornbracht

AQUAMOON / RAINMOON

Planning guide

- 02 Introduction
- 08 Planning
- 15 Installation
- 20 Product details
- 31 Addresses

INTRODUCTION

Planning
Installation
Product details

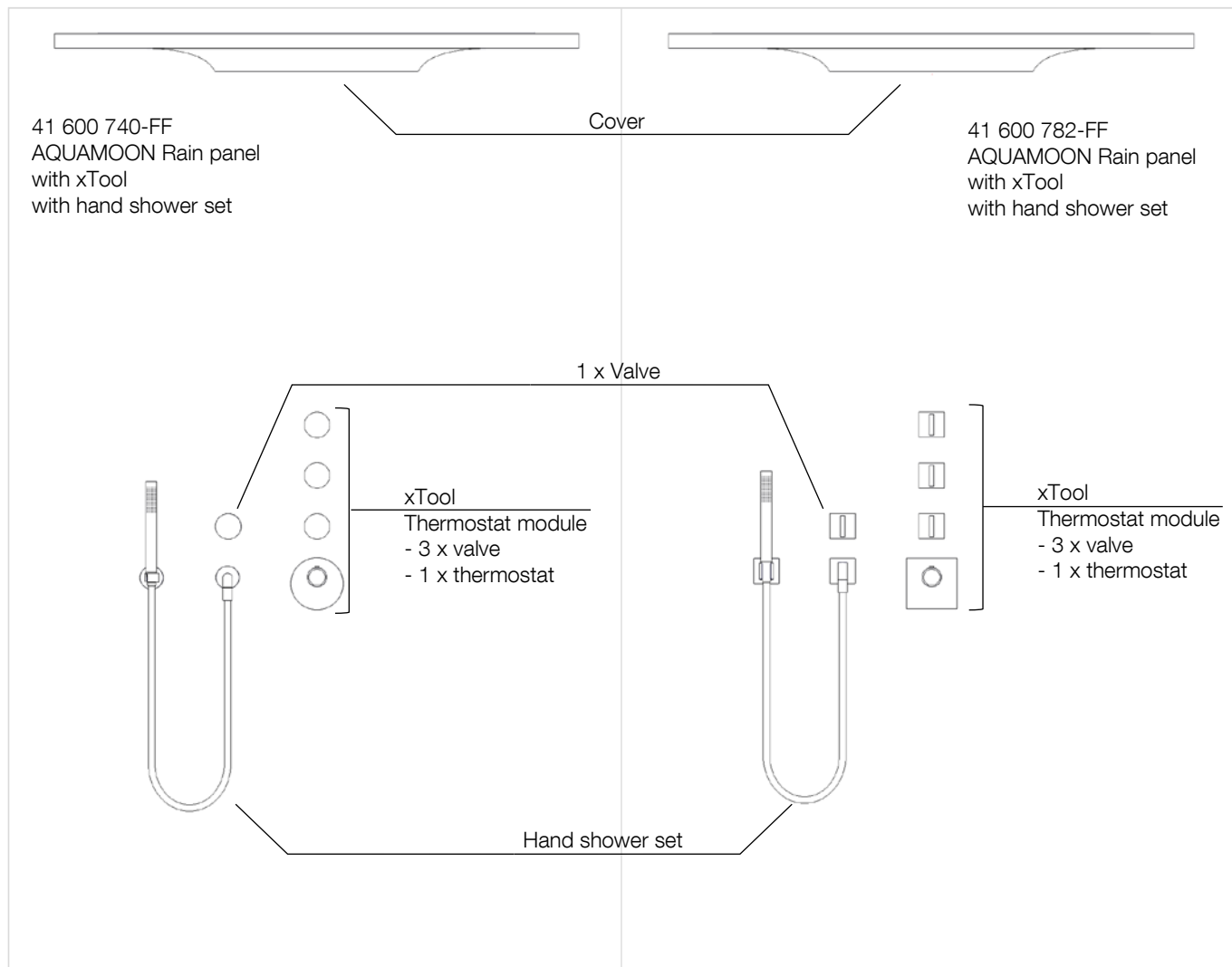
AQUAMOON

Rainmoon
Rainmoon (US)

EXPOSED TRIM COMPONENTS

Concealed rough components

AQUAMOON exposed trim components



It is obligatory for technical planning, installation and initial commissioning to be accompanied by a certified service partner or by booking a Dornbracht service package.

Detailed information on the service package can be found at www.dornbracht-professional.com.

Additional components supplied but not shown:

– 1 x spay module

The thermostat meets the requirements according to EN 1111.

INTRODUCTION

Planning

Installation

Product details

AQUAMOON

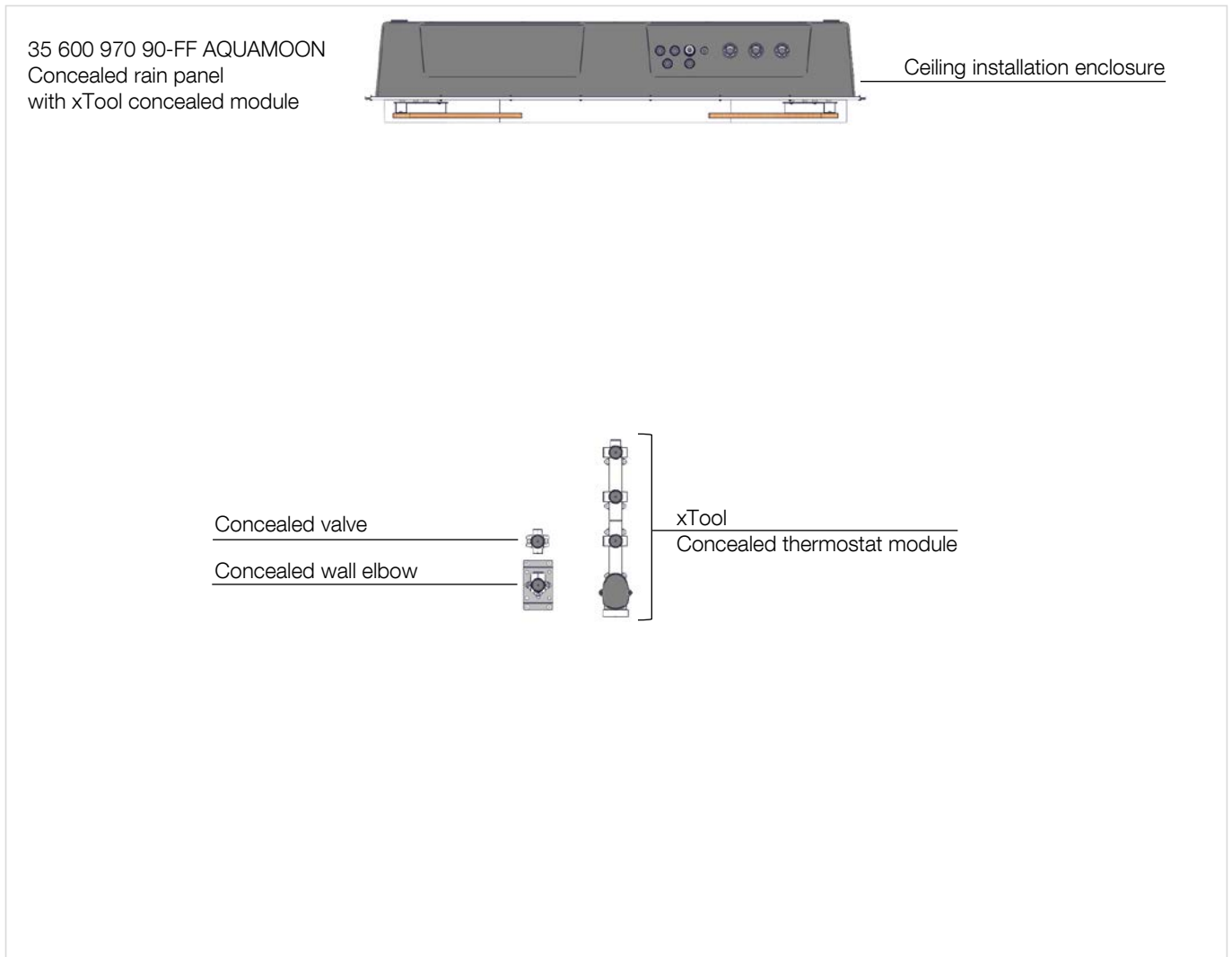
Rainmoon

Rainmoon (US)

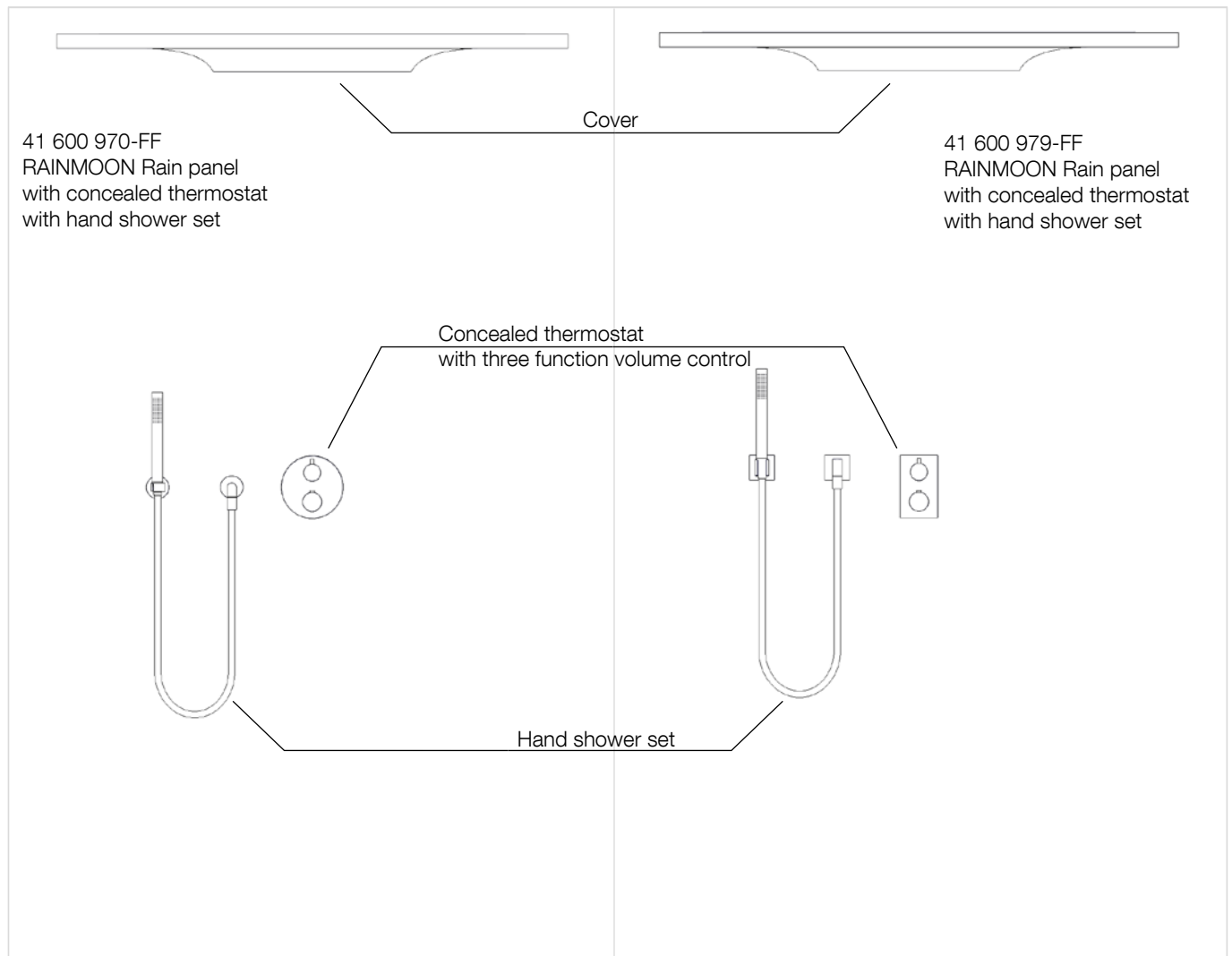
Exposed trim components

CONCEALED ROUGH ...

AQUAMOON concealed rough components



RAINMOON exposed trim components



It is obligatory for technical planning, installation and initial commissioning to be accompanied by a certified service partner or by booking a Dornbracht service package.

Detailed information on the service package can be found at www.dornbracht-professional.com.

Additional components supplied but not shown:

– 1 x spay module

The thermostat meets the requirements according to EN 1111.

INTRODUCTION

Planning

Installation

Product details

Aquamoon

RAINMOON

Rainmoon (US)

Exposed trim components

CONCEALED ROUGH ...

RAINMOON concealed rough components

35 600 979 90-FF
RAINMOON Concealed rain panel
with concealed thermostat



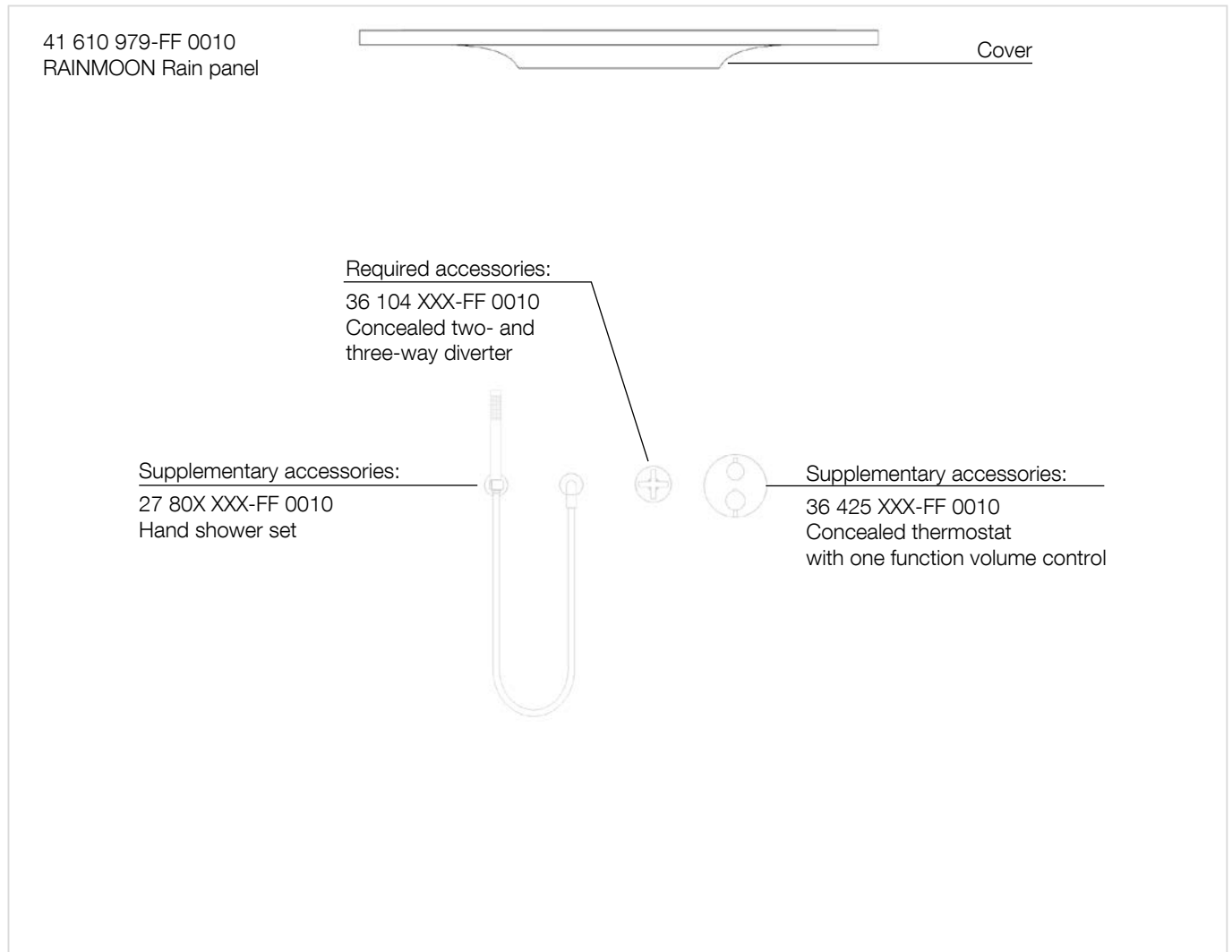
Ceiling installation enclosure

Concealed wall elbow



Concealed thermostat with built-in isolators

RAINMOON (US) exposed trim components



It is obligatory for technical planning, installation and initial commissioning to be accompanied by a certified service partner or by booking a Dornbracht service package.

Detailed information on the service package can be found at www.dornbracht-professional.com.

Additional components supplied but not shown:

– 1 x spay module

Required accessories (Concealed three-way diverter):

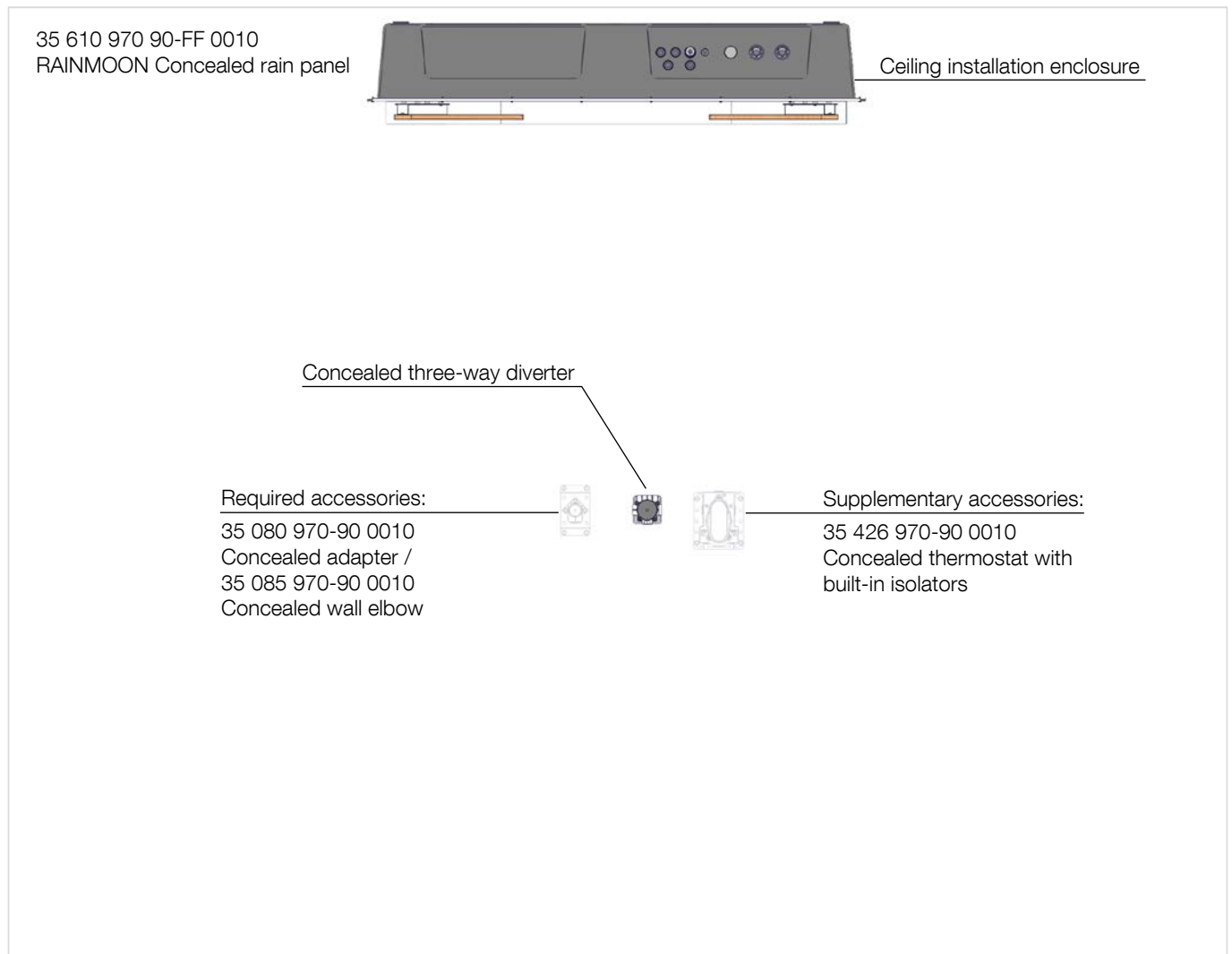
– 36 104 XXX-FF 0010 Concealed two- and three-way diverter

Supplementary accessories:

– 27 80X XXX-FF 0010 Hand shower set

– 36 425 XXX-FF 0010 Concealed thermostat with one function volume control

RAINMOON (US) concealed rough components



Please conform to national statutory regulations, where different.

Standard installation (US / CA):

- Concealed three-way diverter

Required accessories (Hand shower set):

- 35 080 970-90 0010 Concealed adapter /
- 35 085 970-90 0010 Concealed wall elbow

Supplementary accessories:

- 35 426 970-90 0010 Concealed thermostat with built-in isolators

Operating conditions

Area of application

The product is not designed for outdoor use.

Dornbracht must be consulted before operating the device in a steam, chlorine or salt-laden atmosphere.

Water quality must be ensured by installing a filter or a water conditioning system.

Large differences in pressure between cold and hot water supply must be balanced.

Maximum permissible relative humidity (without condensation) 95 %

Permissible ambient temperatures

AQUAMOON / RAINMOON / RAINMOON (US) 5 – 50 °C / 41 – 122 °F

Storage 5 – 50 °C / 41 – 122 °F

Store somewhere dust-free and dry.

Permissible operating temperatures

Cold water temperature 5 – 25 °C / 41 – 77 °F

Recommended cold water temperature 15 °C / 59 °F

Hot water temperature 55 – 65 °C / 131 – 149 °F

Recommended hot water temperature 60 °C / 140 °F

Thermal disinfection (max. 10:00 mins.) < 75 °C / < 167 °F

Must not be combined with continuous-flow heaters.

Flow pressure

Measuring point: Concealed rough parts (hand shower set)

Permissible flow pressure AQUAMOON 250 – 400 kPa / 36 – 58 psi / 2,5 – 4 bar

Permissible flow pressure RAINMOON 150 – 400 kPa / 22 – 58 psi / 1,5 – 4 bar

Permissible flow pressure RAINMOON (US) 150 – 400 kPa / 22 – 58 psi / 1,5 – 4 bar

Recommended flow pressure 300 kPa / 44 psi / 3 bar

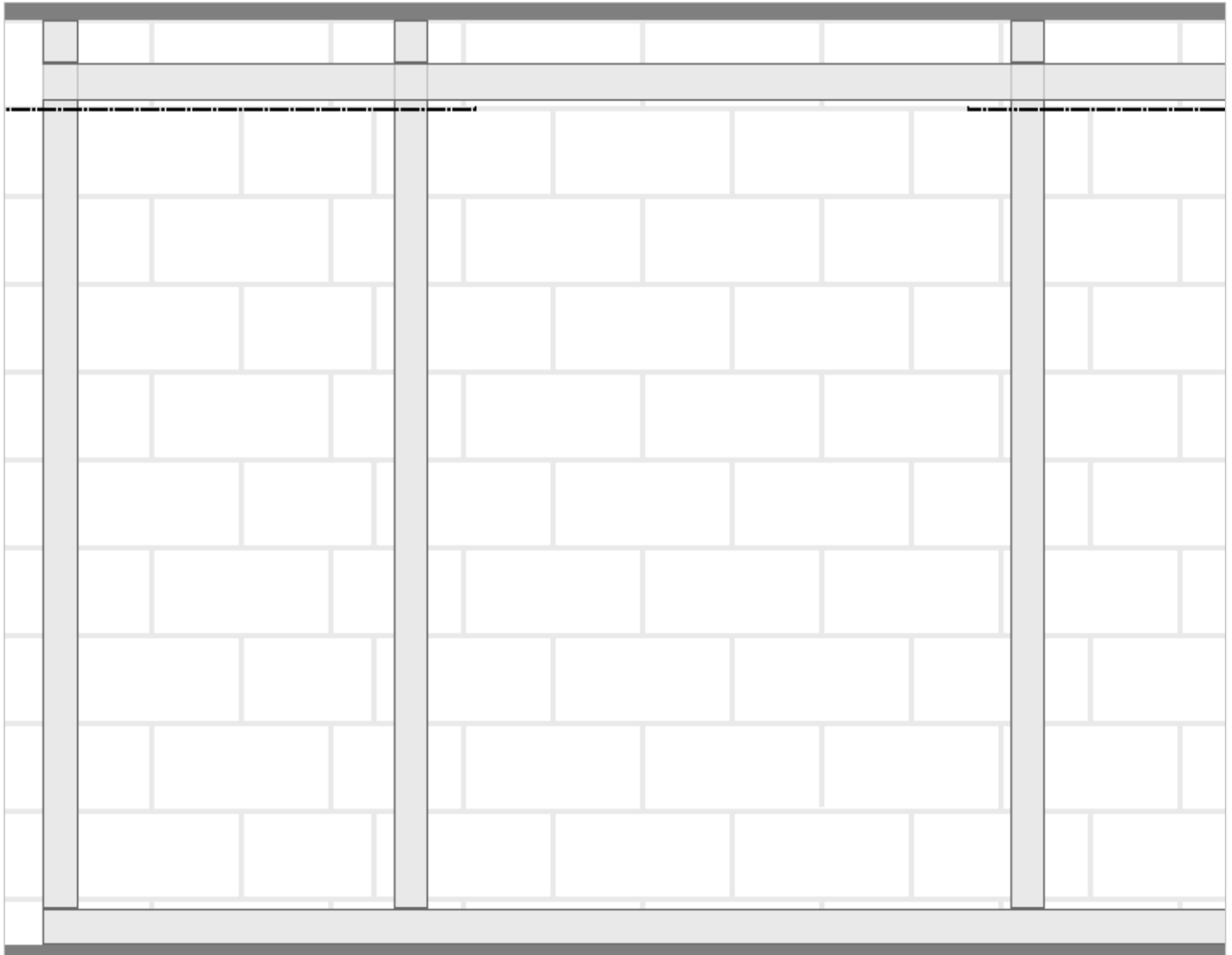
Fit a speed-controlled pressure booster in the main pipe, if necessary.

Water hardness

Recommended water hardness 6 – 7 °dH / 107 – 125 ppm CaCO₃ / 7.5 – 8.8 °e / 10.7 – 12.5 °fH

Fit a water softener into the main pipe, if necessary. The reduction in pressure caused by the water softener must be taken into account.

Pre-wall system



The recess depths make it essential to have a pre-wall system at the ceiling (and wall, if applicable).

The proper execution of the pre-wall installation, can ensure compliance with soundproofing, heat insulation and fire protection standards.

Pre-wall installation systems are available from various suppliers (e.g. Geberit, Tece, Viega, etc.).

Pre-wall installations can also be implemented with C-profiles (e.g. Knauf, Rigips Saint-Gobain, Sheetrock, Siniat, etc.).

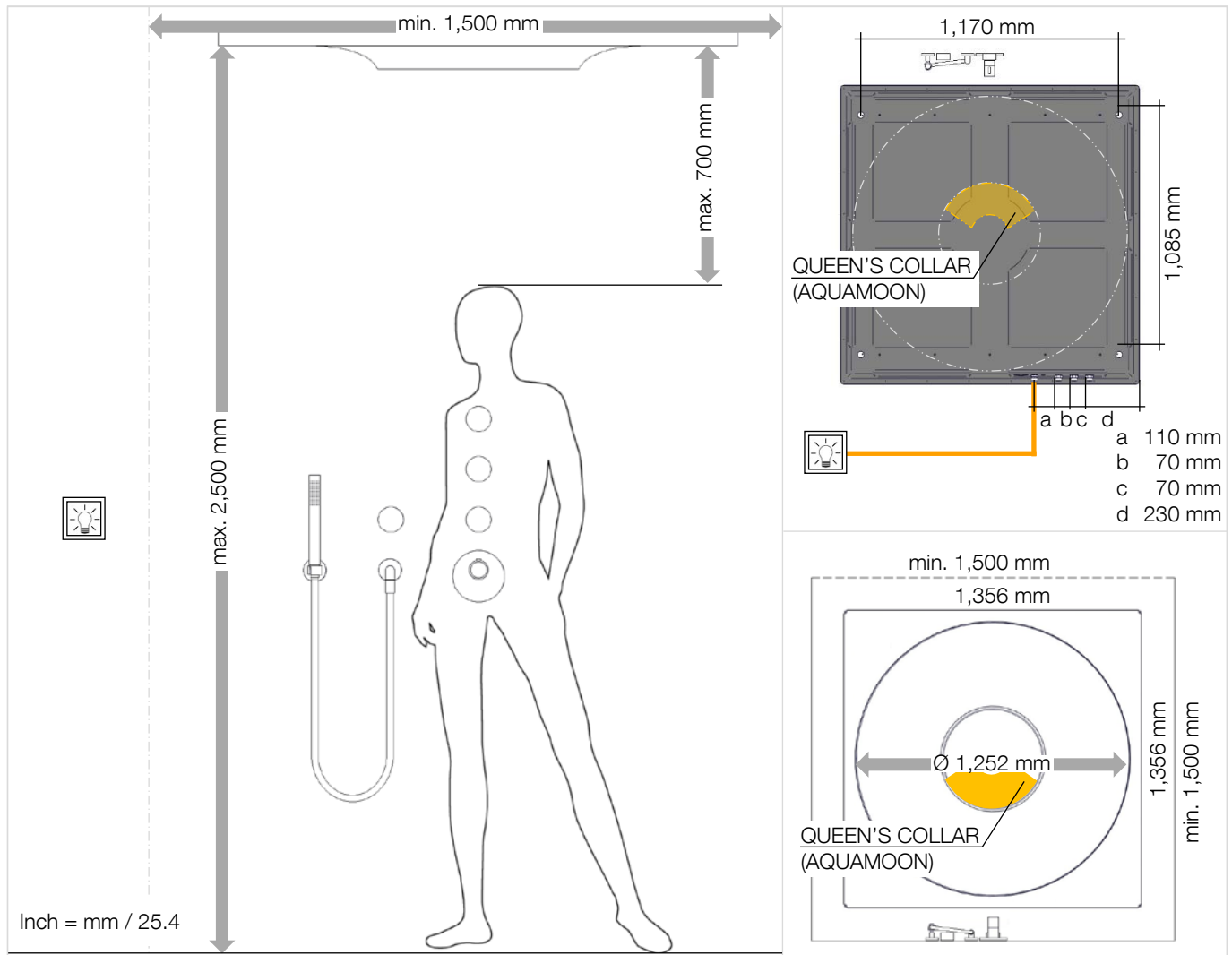
Wood can also be used, unless this contravenes the regulations of the country concerned.

The ceiling construction must not put any strain on the ceiling installation enclosure. The mounting brackets must not carry the weight of the panelling.

Profiles must be attached around the circumference of the ceiling installation enclosure. The ceiling profiles must align with the mounting brackets of the ceiling installation enclosure.

Note the recess depths of the components.

Positioning / cutouts



Installation of the water pipes and cables must be planned.
 Observe:

- Positioning of the connections
- Alignment of the QUEEN'S COLLAR (AQUAMOON)

Observe the regulations for protection zones according to DIN VDE 0100, Part 701 (IEC 60364-7-701).

Please conform to national statutory regulations, where different.

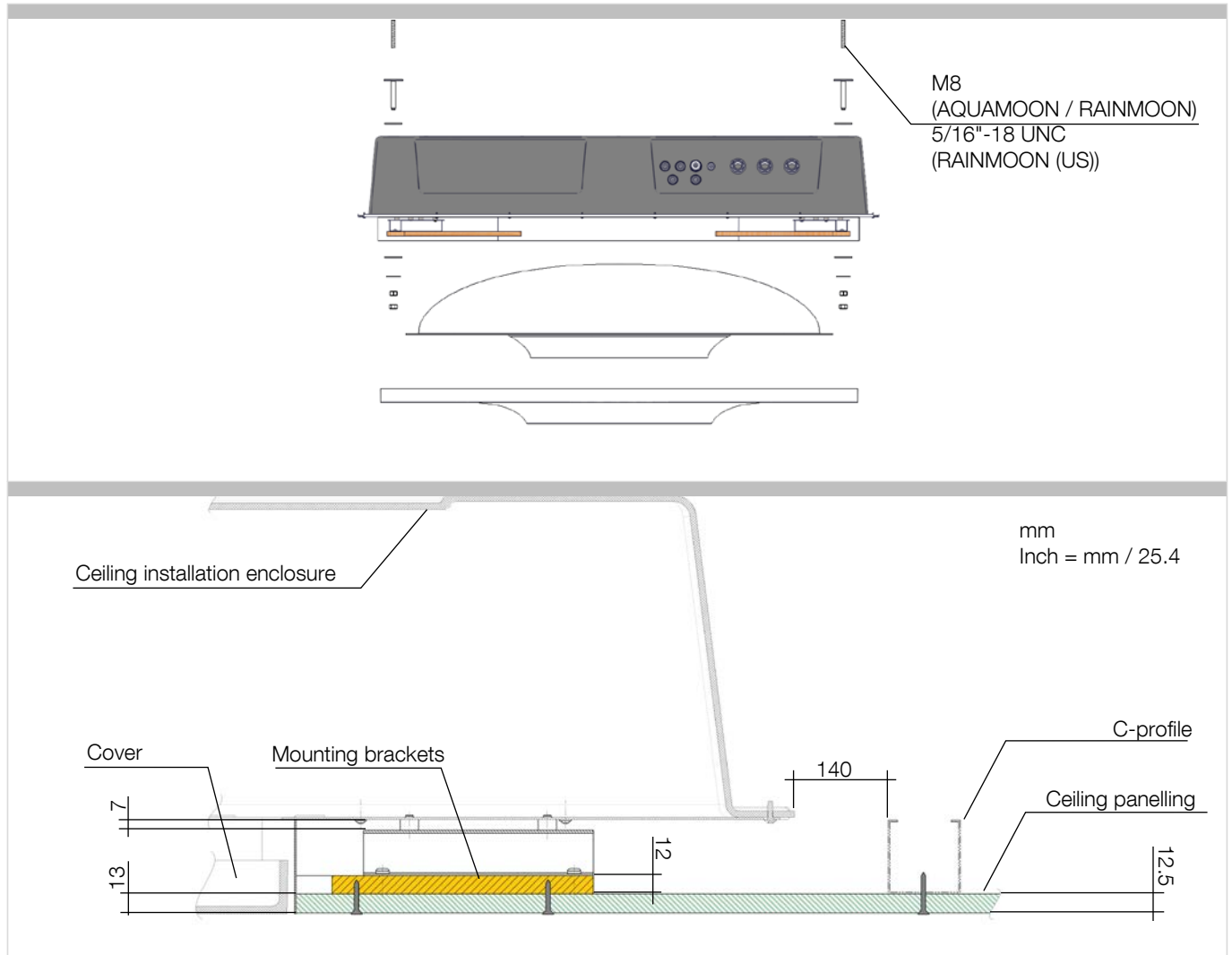
The following circuit breakers and electrical components are to be provided by the customer:

- Safety cut-out (6 A, type B)
- Ground fault circuit interrupter (30 mA, 2-pin, type A)

The following electrical components must be installed outside safety zones 0 – 2: Switch (by the customer).

- 1,500 x 1,500 mm / 4 ft 11" x 4 ft 11" minimum size of the shower room
- 2,500 mm / 8 ft 2-3/8" maximum room height
- 700 mm / 2 ft 3-1/2" recommended maximum distance between ceiling module and user

Ceiling module



A ceiling construction with adequate structural strength for the permanent attachment of the ceiling module (weight: 57 kg / 127 lbs. (US)) is essential.

- ⚠ It takes 2 people to fit the ceiling module!
- ⚠ Only use suitable ladders / climbing aids.
- ⚠ Wear protective gloves.

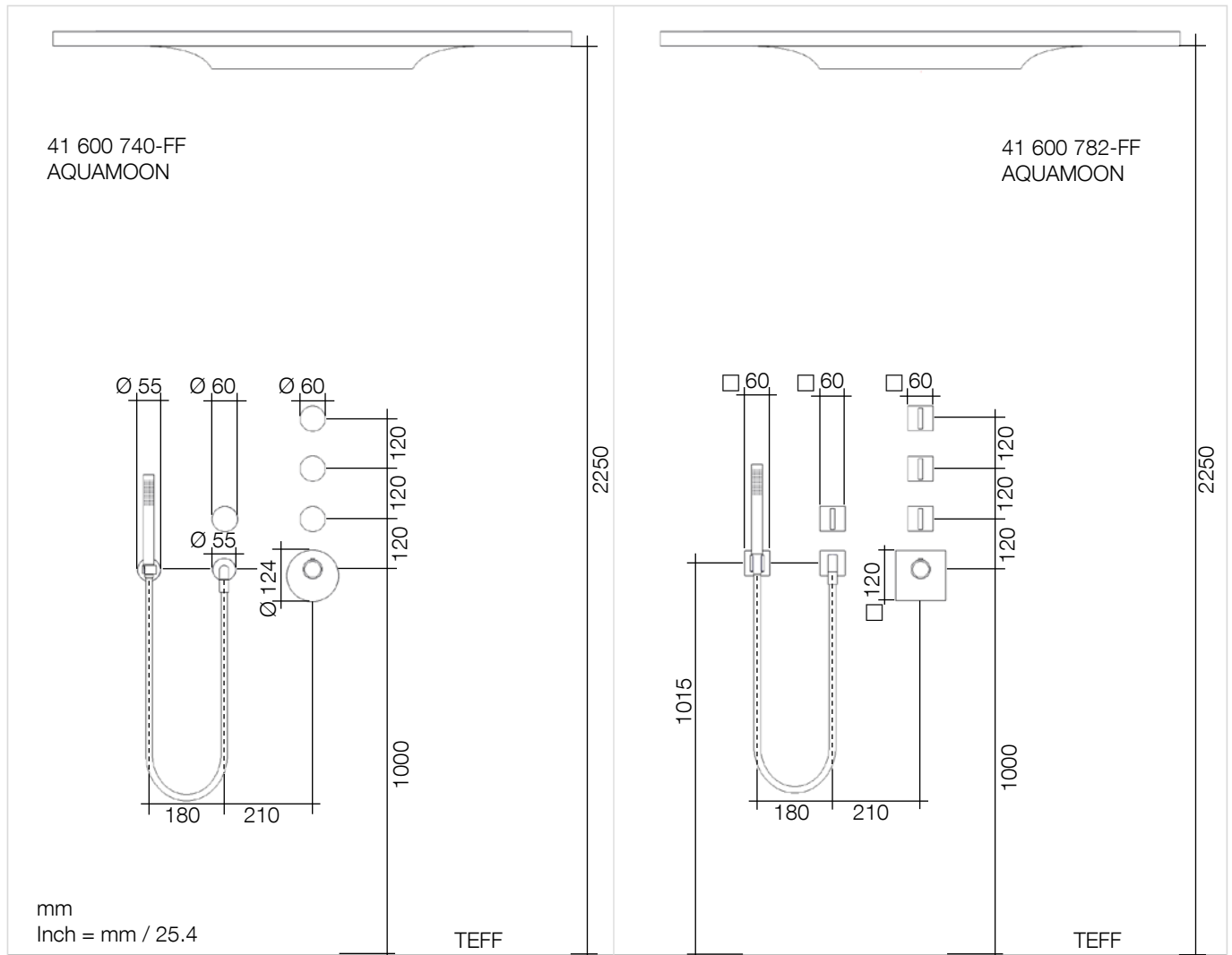
Fasteners that are appropriate for the ceiling have to be selected by a structural engineer.

M8 (AQUAMOON / RAINMOON) / 5/16 "-18 UNC (RAINMOON (US)) threaded bolts (minimum strength: 2,000 N) are required to secure the ceiling module.

- 140 mm / 5-1/2" (centre / centre) maximum distance between the ceiling installation enclosure and the ceiling construction profiles
- 12,5 mm / 1/2" or 20 mm / 3/4" thick ceiling panelling is possible

The ceiling panelling must be screwed to the ceiling installation mounting brackets with boring head screws.

Dimensions AQUAMOON

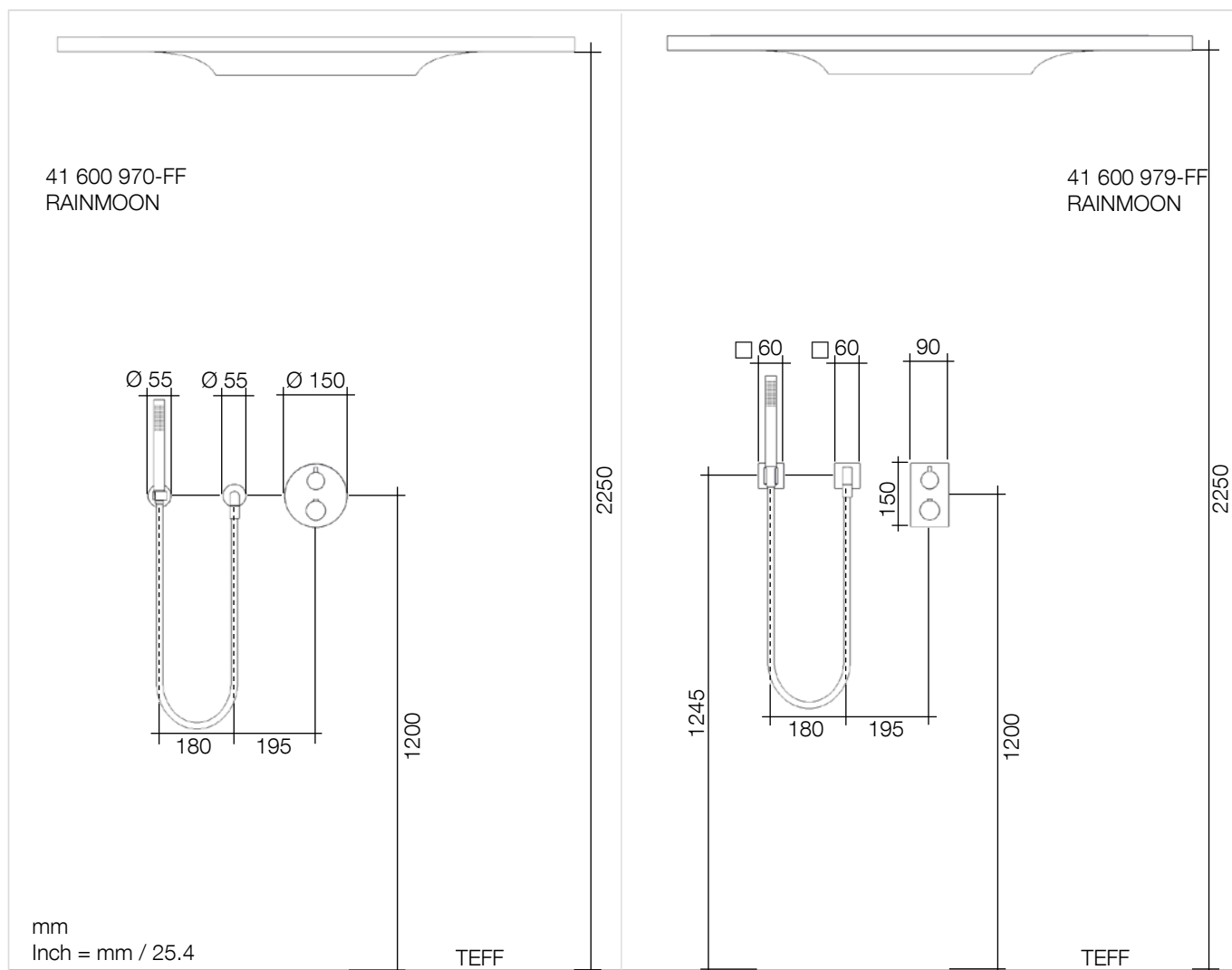


The stated dimensions apply to users who are between 1,650 – 1,950 mm / 5 ft 5" – 6 ft 4-3/4" tall.

The positions and dimensions can be adapted to meet individual needs.

– 1,000 mm / 3 ft 3-3/8" recommended height difference between the top edge of the finished floor (TEFF) and the thermostat (xTOOL for a person who is 1,750 mm / 5 ft 9" tall)

Dimensions RAINMOON

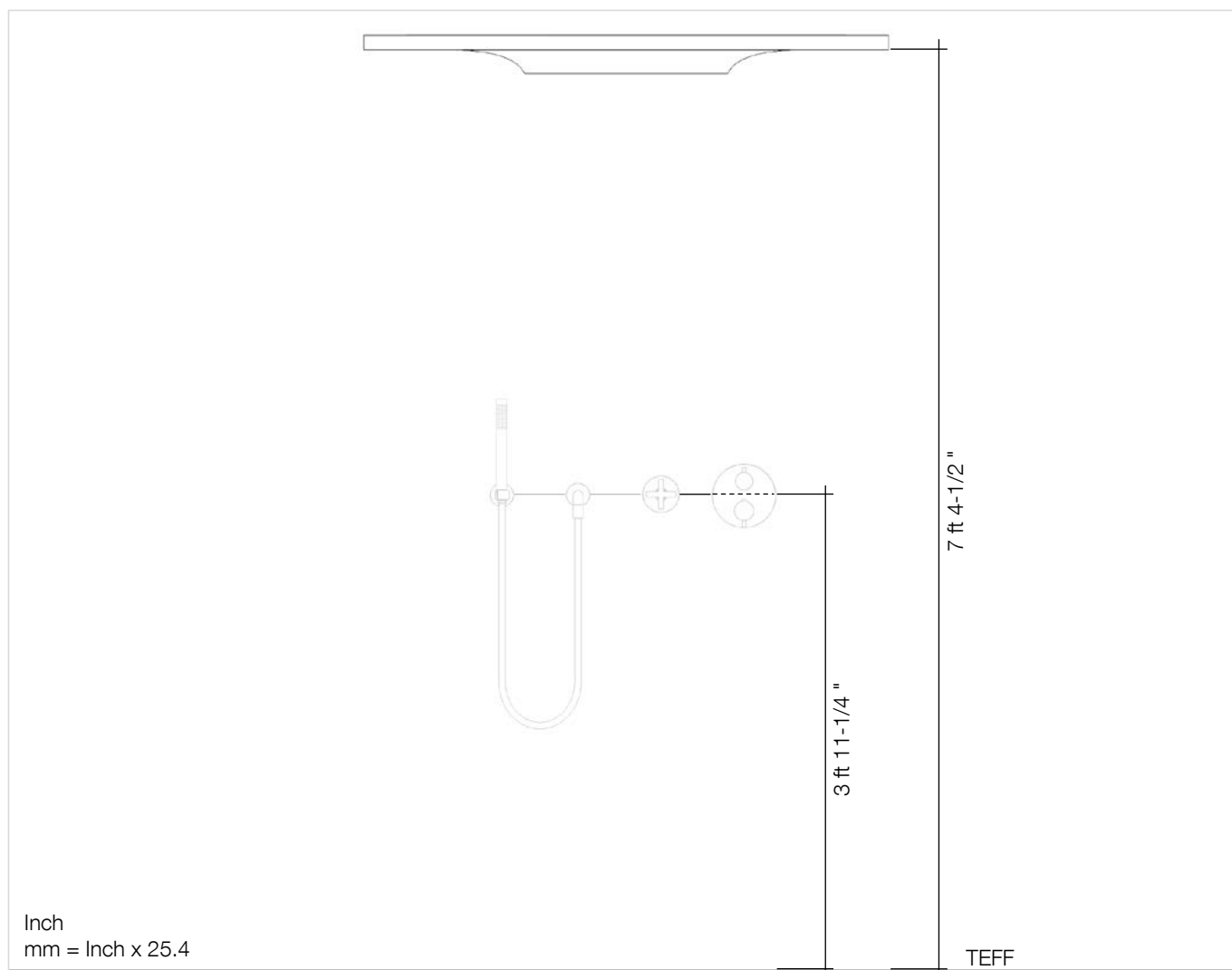


The stated dimensions apply to users who are between 1,650 – 1,950 mm / 5 ft 5" – 6 ft 4-3/4" tall.

The positions and dimensions can be adapted to meet individual needs.

– 1,200 mm / 3 ft 11-1/4" recommended height difference between the top edge of the finished floor (TEFF) and the thermostat for a person who is 1,750 mm / 5 ft 9" tall

Dimensions RAINMOON (US)

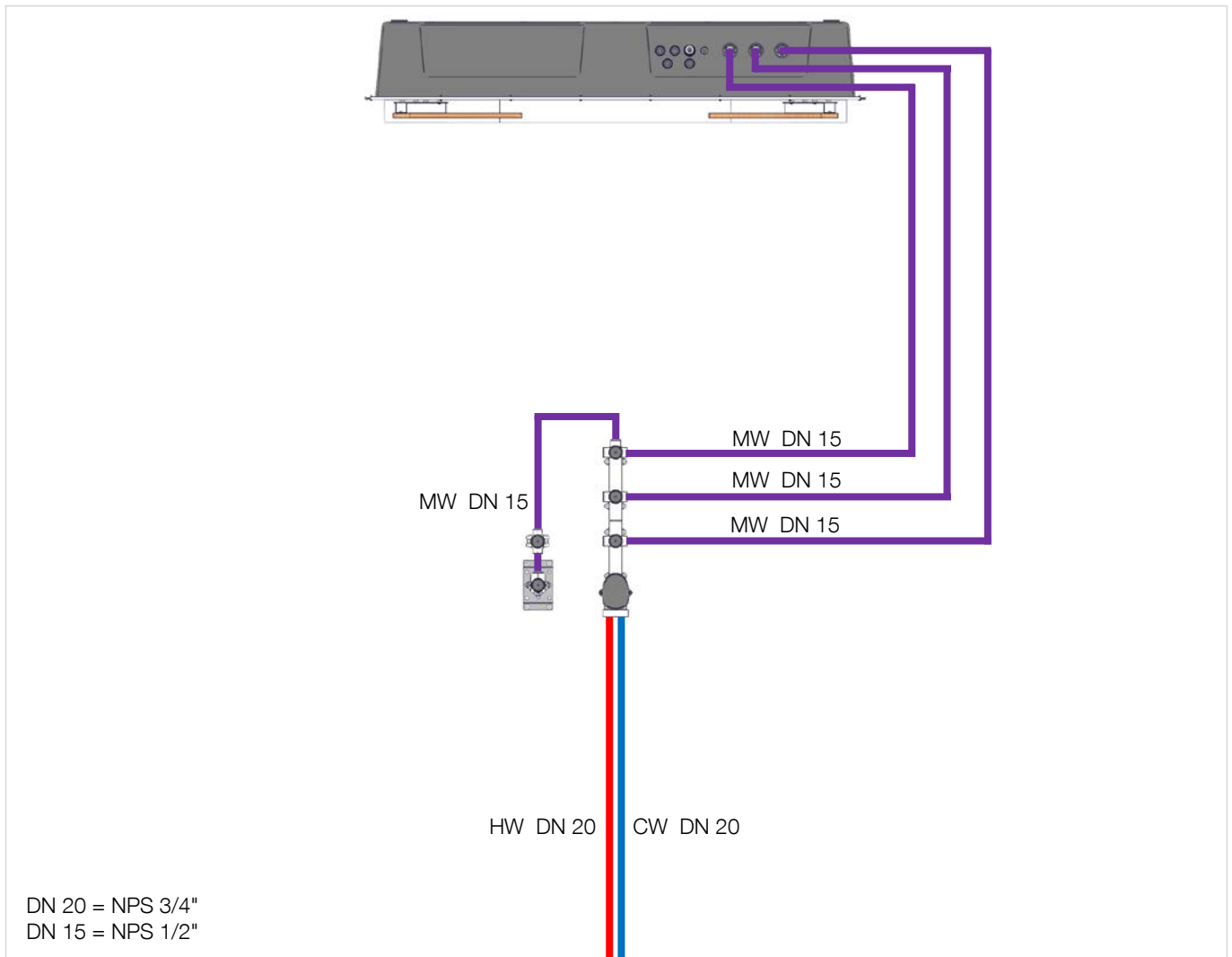


The stated dimensions apply to users who are between 5 ft 5" – 6 ft 4-3/4" / 1,650 – 1,950 mm tall.

The positions and dimensions can be adapted to meet individual needs.

– 3 ft 11-1/4" / 1,200 mm recommended height difference between the top edge of the finished floor (TEFF) and the concealed three-way diverter for a person who is 5 ft 9" / 1,750 mm tall

Standard plumbing installation AQUAMOON



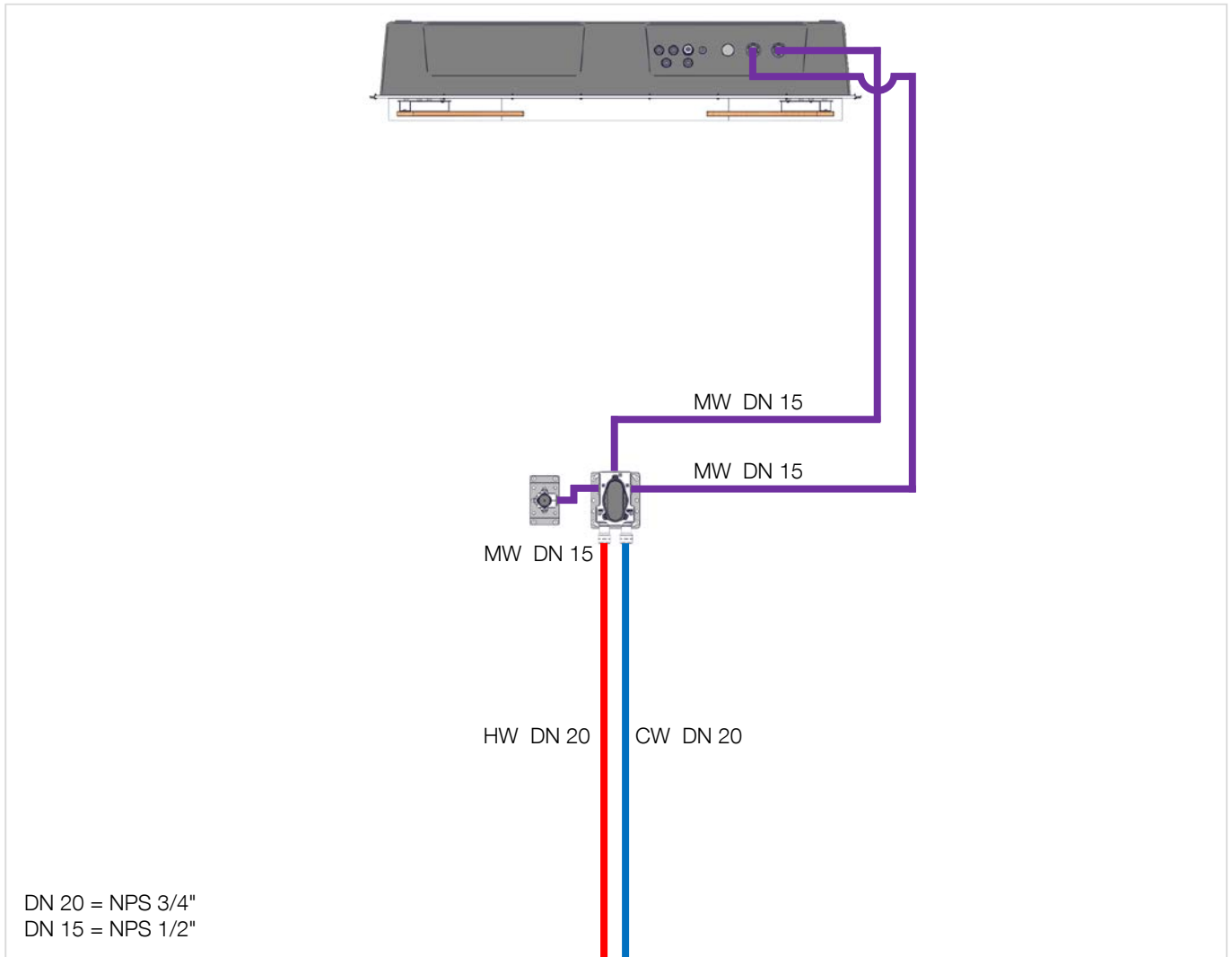
Required nominal diameter (DN) for pipes and fittings:

- DN 20 – hot and cold water pipe (HW + CW)
- DN 15 – mixed water pipe (MW)

Provided by customer:

- Filter (main pipe)
- Pressure reducing valve (main pipe)

Standard plumbing installation RAINMOON



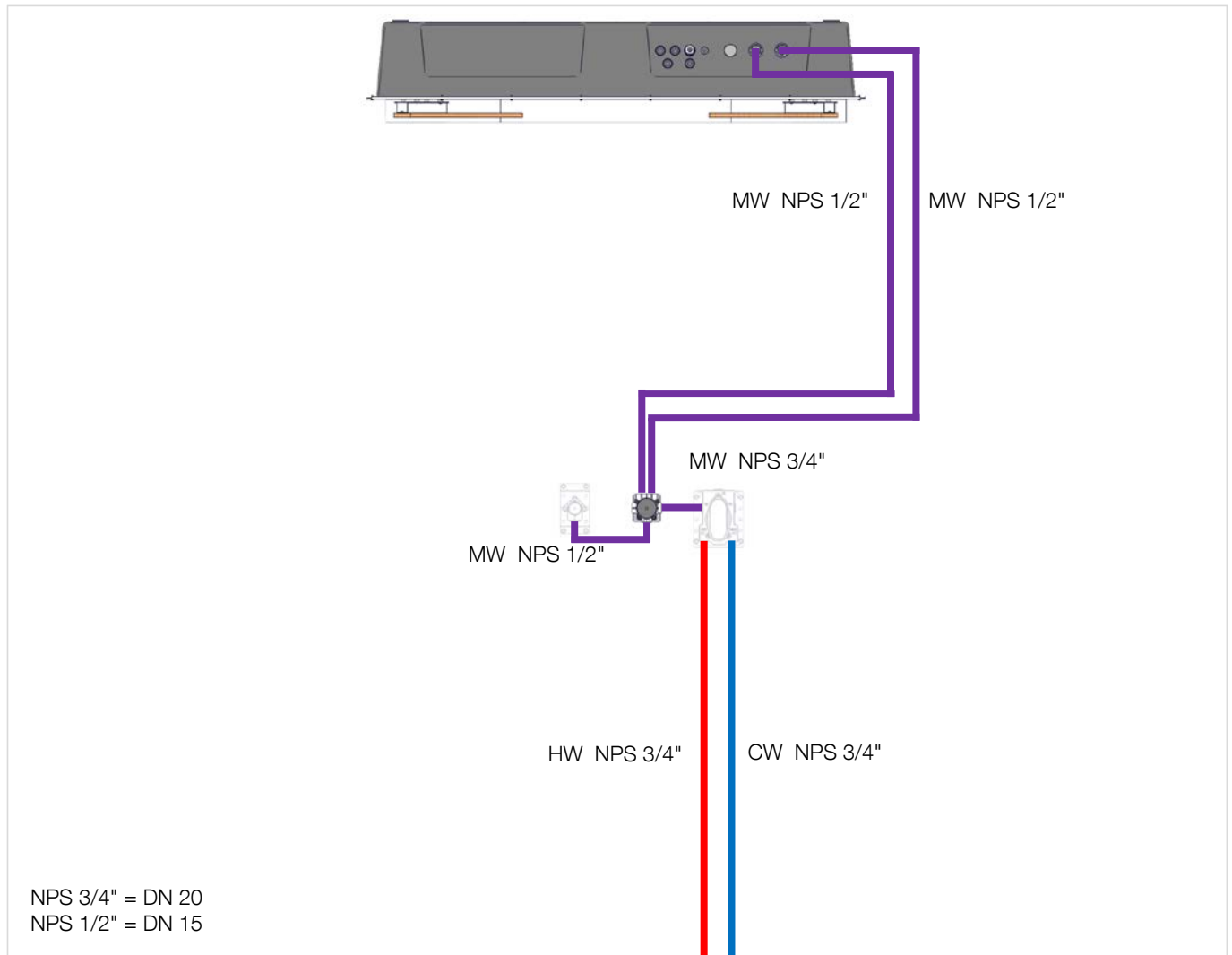
Required nominal diameter (DN) for pipes and fittings:

- DN 20 – hot and cold water pipe (HW + CW)
- DN 15 – mixed water pipe (MW)

Provided by customer:

- Filter (main pipe)
- Pressure reducing valve (main pipe)

Standard plumbing installation RAINMOON (US)



Required nominal diameter (NPS) for pipes and fittings:

- NPS 3/4" – hot and cold water pipe (HW + CW)
- NPS 1/2" – mixed water pipe (MW)

Provided by customer:

- Filter (main pipe)
- Pressure reducing valve (main pipe)

Plumbing information

Pipework calculation

The pipework must be calculated in accordance with EN 806-3, DIN 1988-300.

The simultaneous use of all other outlet points must be considered (simultaneity).

Pressure-reducing components provided by the customer:

- Water meter see manufacturer's specification
- Filter see manufacturer's specification
- Pressure reducing valve (main pipe) see manufacturer's specification
- Water softener, if necessary see manufacturer's specification

Install a speed-controlled pressure booster, if necessary (e.g. in accordance with DIN 1988-500).

Hot water system

To choose the perfect hot-water supply – taking additional tapping points and simultaneous use into consideration – an individual determination of requirements (e.g. according to DIN 1988-200, DIN 4708-2, DIN 4753-7, VDI 6003) is absolutely necessary.

If the hot water temperature is set higher than 65 °C / 149 °F, a thermostatic water mixer must be installed downstream of the hot-water supply (e.g. for a solar-heated systems).

If periodic thermal disinfection is required, the customer must provide an appropriate (manually or automatically operated) bypass of the thermostatic water mixer.

Drainage

To choose the perfect drain – taking the flow rate of the entire installation into consideration – an individual determination of requirements is necessary (e.g. in accordance with EN 12056-1/-2, DIN 1986-100).

Aquamoon:

Drainage capacity / drain connection value [DU value]
1.25 l/s / 0.3 gps
Recommended drain pipe size DN 75 / NPS 3"

Rainmoon:

Drainage capacity / drain connection value [DU value]
0.35 l/s / 0.1 gps
Recommended drain pipe size DN 75 / NPS 3"

RAINMOON (US)

Drainage capacity / drain connection value [DU value]
0.1 gps / 0.35 l/s
Recommended drain pipe size NPS 3" / DN 75

Plumbing installation

All work has to be carried out by a competent and qualified plumber according to appropriate DIN / EN directives (DIN 1988, EN 1717, EN 806, TVO etc.), national regulations and regulations of the local water supply companies.

Flushing of the entire installation with clean water is absolutely necessary (the valid guidelines for the flushing are to be observed).

A flushing report has to be created (e.g. EN 806-4 / DIN 1988-200).

Flush before fitting the exposed trim parts and commissioning.

A pressure test of the entire installation (without angle valves) is absolutely necessary.

The exact procedure for the pressure test (preliminary test / main test) depending on the pipe material used, can be found in the currently applicable directives (EN 806-4, DIN 1988-200, etc.).

A test report has to be created.

Electrical Information

Safety zones

Observe the regulations for protection zones according to DIN VDE 0100, Part 701 (IEC 60364-7-701).

Please conform to national statutory regulations, where different.

The following electrical components must be installed outside safety zones 0 – 2: Switch (by the customer).

Observe the protection rating of each electrical component, only applicable once the device is fully installed.

Dornbracht must be consulted in advance about installations that differ from the planning information.

Electrical installation

The electrical installation must be implemented in accordance with IEC 60364-4-41 and DIN VDE 0100 by a qualified electrician. Please conform to national statutory regulations, where different.

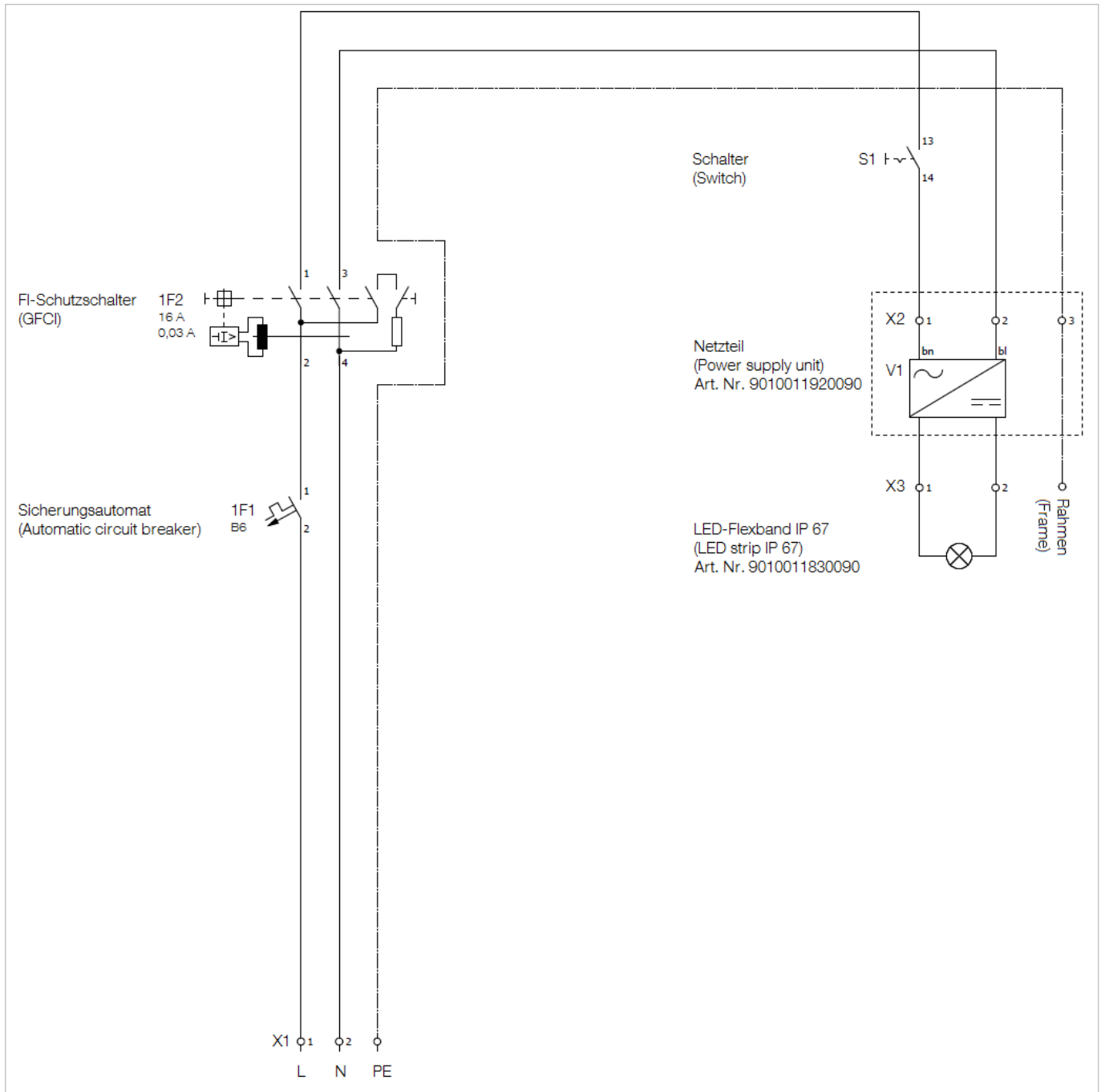
Only connect to the electricity supply when the device is voltage-free.

⚠ Inexpertly completed electrical installations and electrical installations that are not completed as stipulated in this guide can cause electric shocks which could result in serious injury or even death, as well as damage to property.

Provided by customer:

- Safety cut-out (6 A, type B)
- Ground fault circuit interrupter (30 mA, 2-pin, type A)
- Ground
- Switch
- Electricity connection 100 – 240 V, 3 x 0.75 mm² / 18 AWG

Fuse box wiring diagram



Technical data

General

Weight

– Total (ceiling module)	57.5 kg / 127 lbs. (US)
– Ceiling installation enclosure	35 kg / 77 lbs. (US)
– Spray module	17 kg / 37.5 lbs. (US)
– Cover	5.5 kg / 12 lbs. (US)

Recess depths

– Ceiling module	min. 290 mm / 11-3/8"
------------------	-----------------------

– Aquamoon: xTOOL

min. 115 mm / 4-1/2"
max. 156 mm / 6-1/8"

Concealed valve + 41 600 740-FF	min. 65 mm / 2-1/2"
	max. 130 mm / 5-3/8"

Concealed valve + 41 600 782-FF	min. 85 mm / 3-3/8"
	max. 130 mm / 5-3/8"

Concealed wall elbow	min. 90 mm / 3-1/2"
	max. 163 mm / 6-3/8"

– Rainmoon:

concealed thermostat	min. 80 mm / 3-1/8"
	max. 136 mm / 5-3/8"

Concealed wall elbow	min. 90 mm / 3-1/2"
	max. 163 mm / 6-3/8"

– RAINMOON (US):

concealed three-way diverter	min. 4-1/4" / 108 mm
	max. 5-3/8" / 138 mm

The fasteners included in the scope of delivery are only suitable for fixing in concrete.

Electrotechnical data

– Nominal voltage	100 – 240 V AC
– Nominal power	15 W
– Nominal current	1.2 A
– Output voltage	12 V DC
– Input frequency	50 – 60 Hz
– Degree of protection (exposed trim parts)	IP 67
– Degree of protection (concealed rough parts)	IP 66

Sanitary specifications

The product is intrinsically safe according to EN 1717.

The thermostat meets the requirements according to EN 1111.

Size of the supply lines

Aquamoon:

Hot and cold water	2 x DN 20 / NPS 3/4"
Mixed water	3 x DN 15 / NPS 1/2"

Rainmoon:

Hot and cold water	2 x DN 20 / NPS 3/4"
Mixed water	2 x DN 15 / NPS 1/2"

RAINMOON (US):

Hot and cold water	2 x NPS 3/4" / DN 20
Mixed water	2 x NPS 1/2" / DN 15

Drainage

Aquamoon:

Drainage capacity / drain connection value [DU value]	1.25 l/s / 0.3 gps
Recommended drain pipe size	DN 75 / NPS 3 "

Rainmoon:

Drainage capacity / drain connection value [DU value]	0.35 l/s / 0.1 gps
Recommended drain pipe size	DN 75 / NPS 3 "

RAINMOON (US):

Drainage capacity / drain connection value [DU value]	0.1 gps / 0.35 l/s
Recommended drain pipe size	NPS 3 " / DN 75

To choose the perfect drain – taking the flow rate of the entire installation into consideration – an individual determination of requirements is necessary.

Maximum flow at a flow pressure of 300 kPa / 44 psi / 3 bar (AQUAMOON)

– Total (ceiling module)	47 l/min / 12.4 gpm
– TEMPEST	12 l/min / 3.2 gpm
– AQUA CIRCLE	12 l/min / 3.2 gpm
– QUEEN'S COLLAR	23 l/min / 6.1 gpm
– Hand shower set	7.6 l/min / 2.0 gpm

Maximum flow at a flow pressure of 300 kPa / 44 psi / 3 bar (RAINMOON)

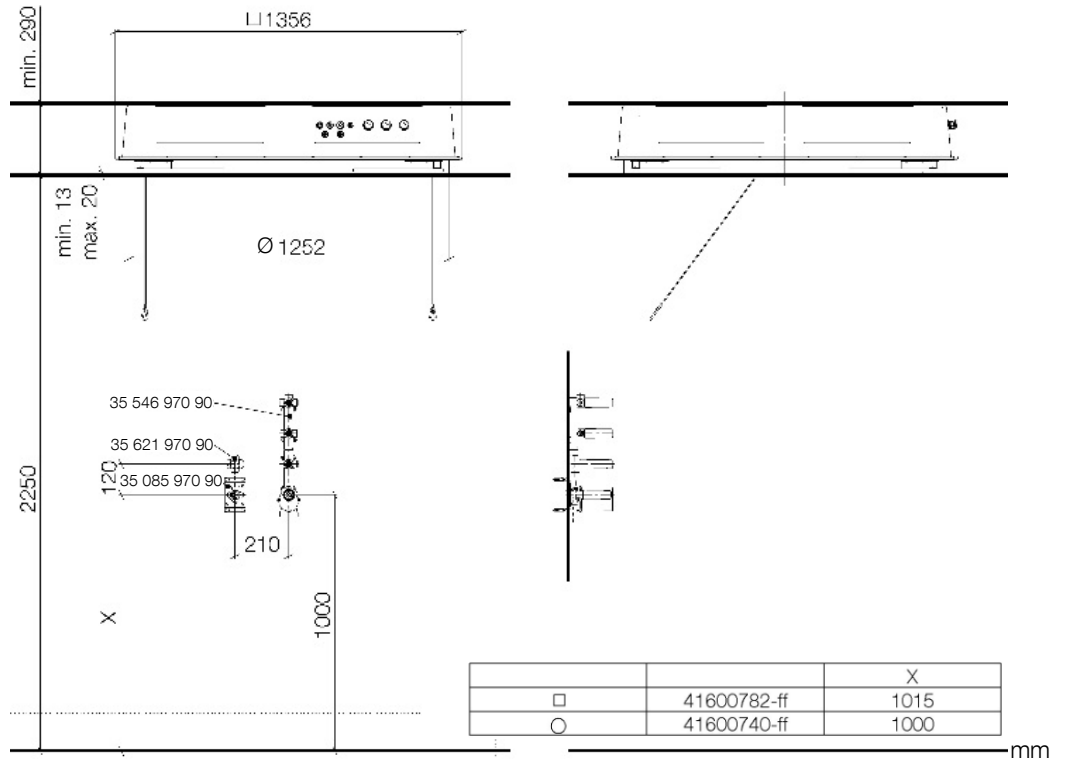
– TEMPEST	6.8 l/min / 1.8 gpm
– AQUA CIRCLE	6.8 l/min / 1.8 gpm
– Hand shower set	6.8 l/min / 1.8 gpm

Maximum flow at a flow pressure of 300 kPa / 44 psi / 3 bar (RAINMOON (US))

– TEMPEST	1.8 gpm / 6.8 l/min
– AQUA CIRCLE	1.8 gpm / 6.8 l/min

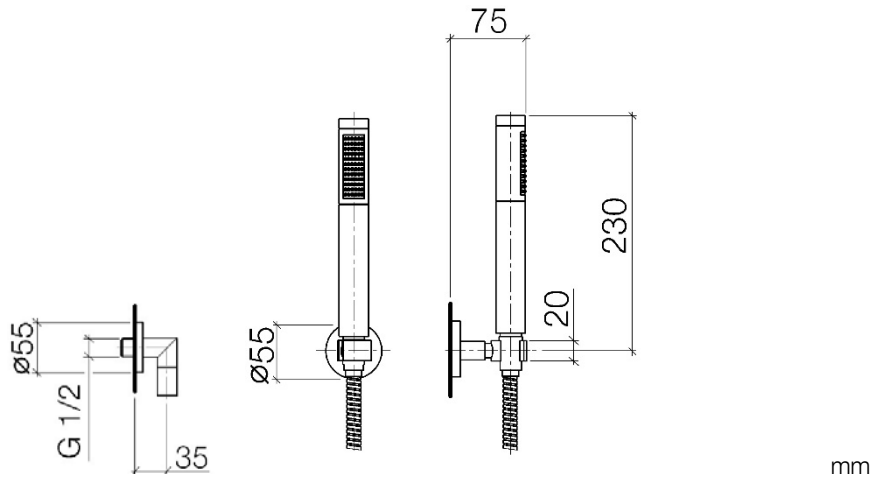
Aquamoon

Concealed rough parts
 35 600 979 90

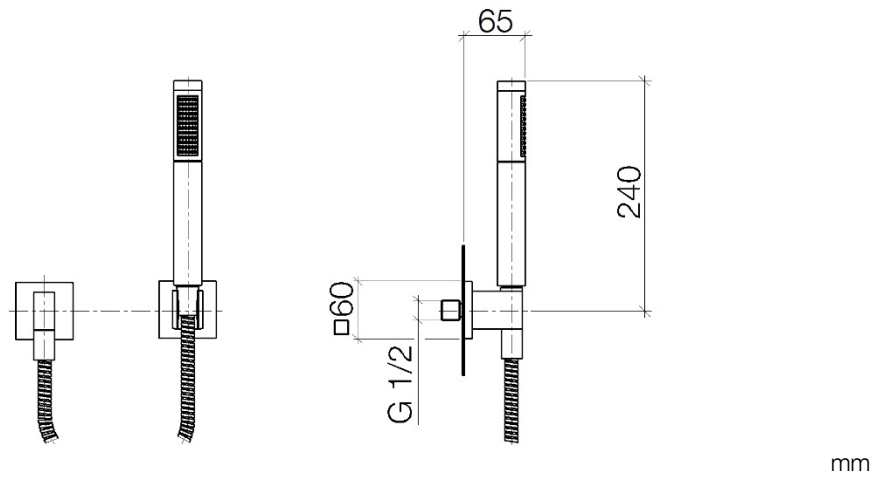


Aquamoon

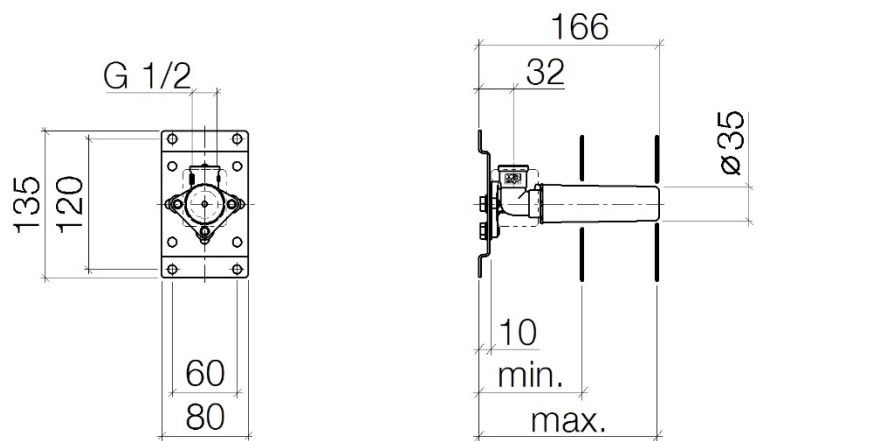
Exposed trim parts 41 600 740-FF
 28 450 625-FF
 27 806 625-FF



Exposed trim parts 41 600 782-FF
 28 808 980-FF



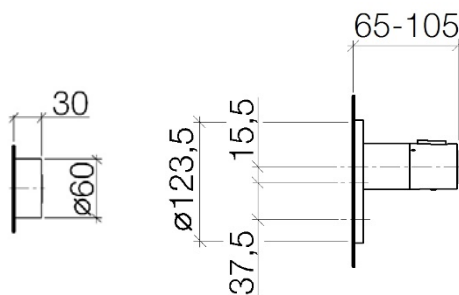
Concealed rough parts 35 600 970 90
 35 085 970 90



mm
 Inch = mm / 25.4

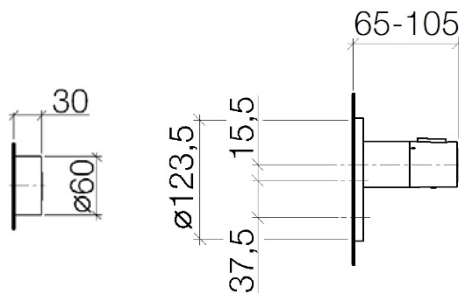
Aquamoon

Exposed trim parts 41 600 740-FF
 4 x 36 310 740-FF
 36 416 979-FF



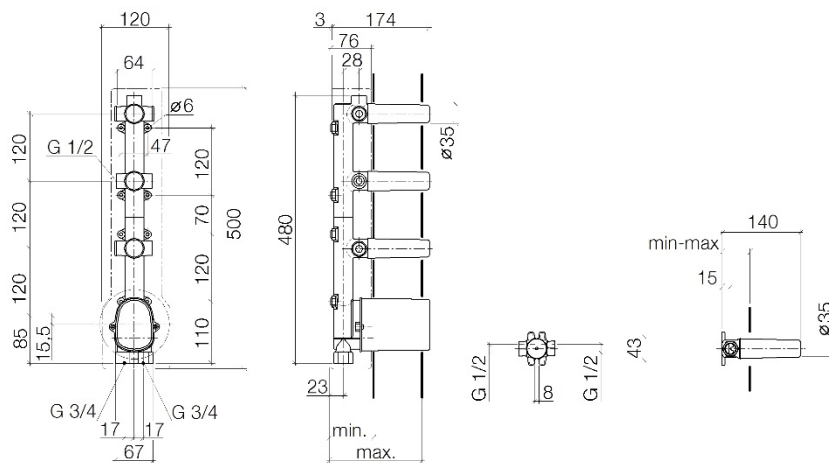
mm

Exposed trim parts 41 600 782-FF
 4 x 36 310 782-FF
 36 416 780-FF



mm

Concealed rough parts 35 600 970 90
 35 546 970 90
 35 621 970 90

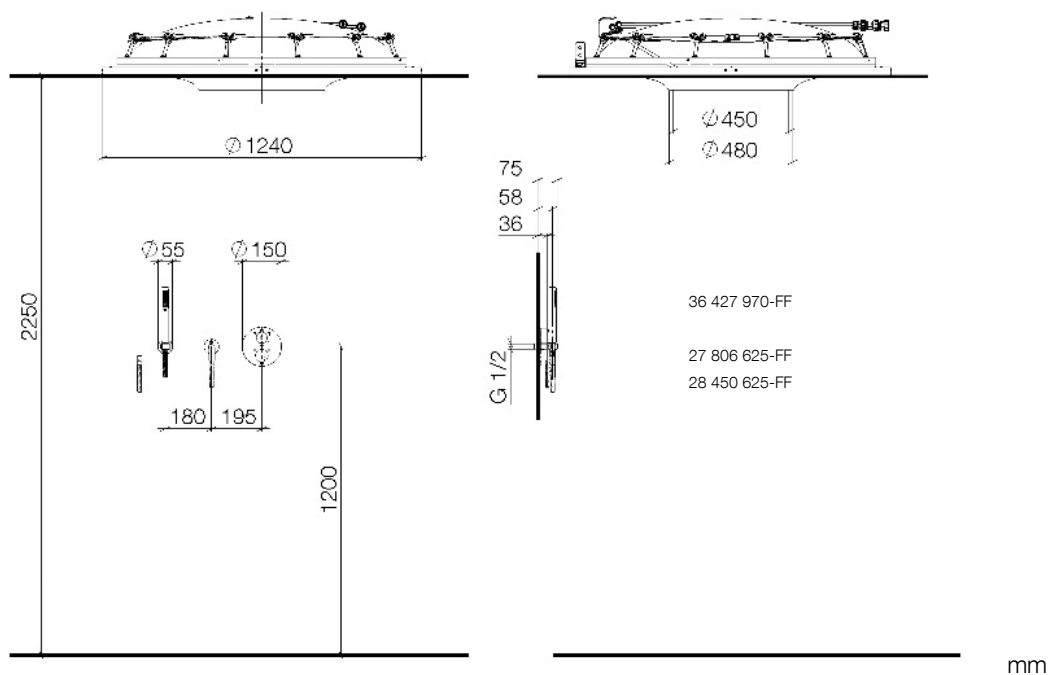


mm

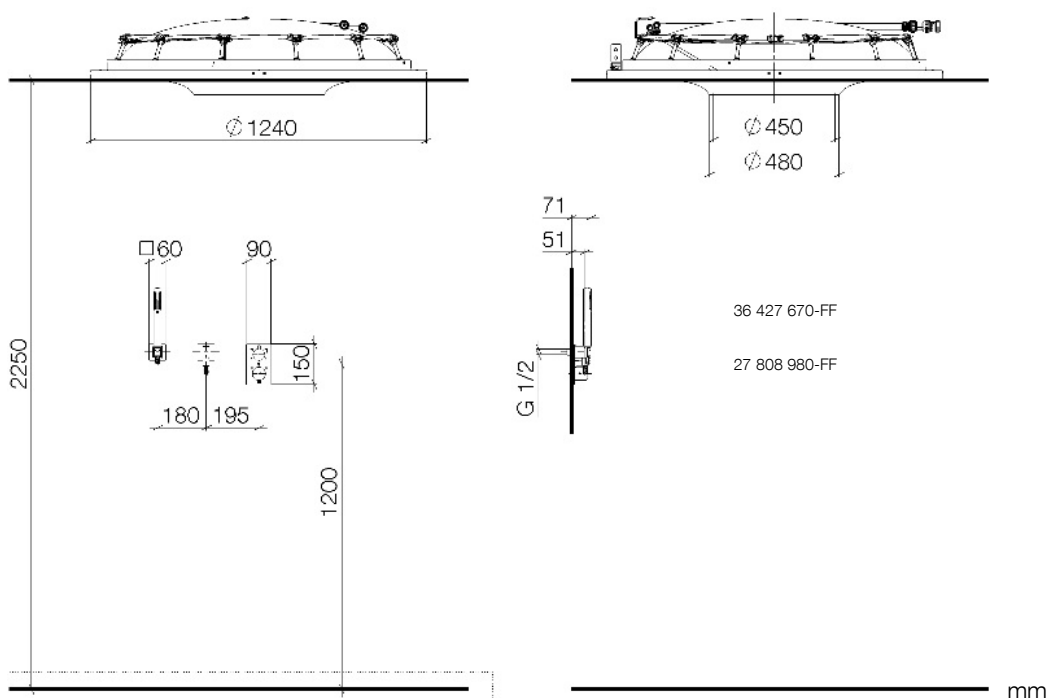
Inch = mm / 25.4

Rainmoon

Exposed trim parts
 41 600 970-FF



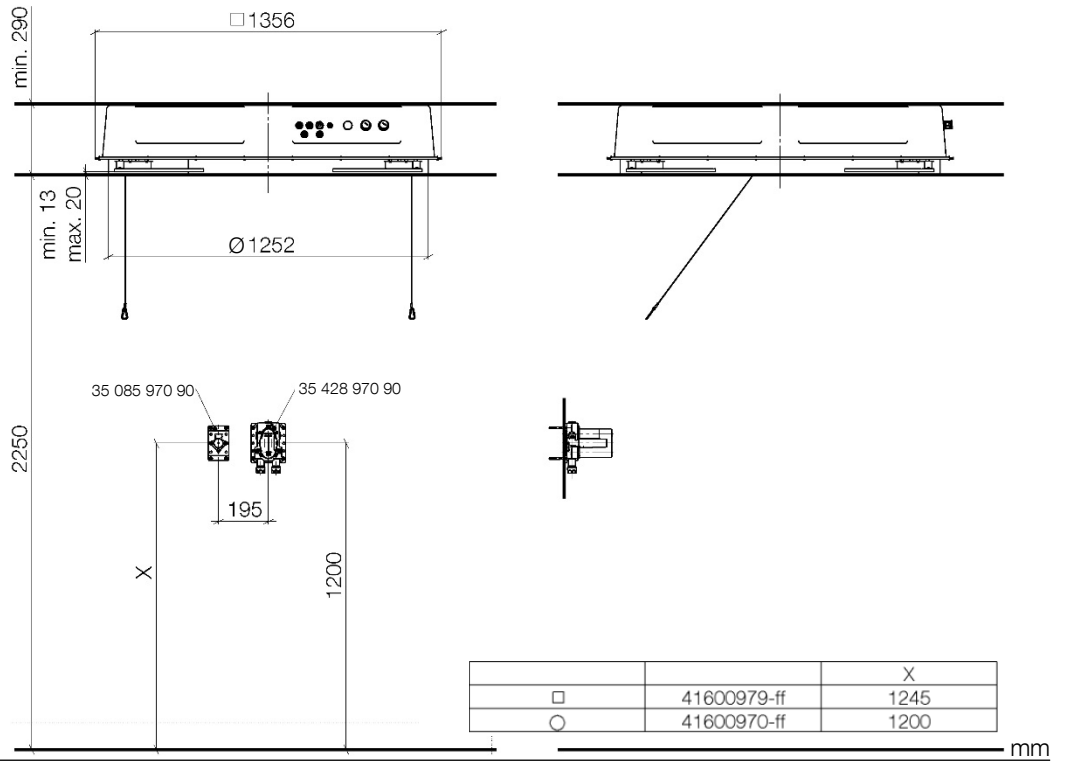
Exposed trim parts
 41 600 979-FF



mm
 Inch = mm / 25.4

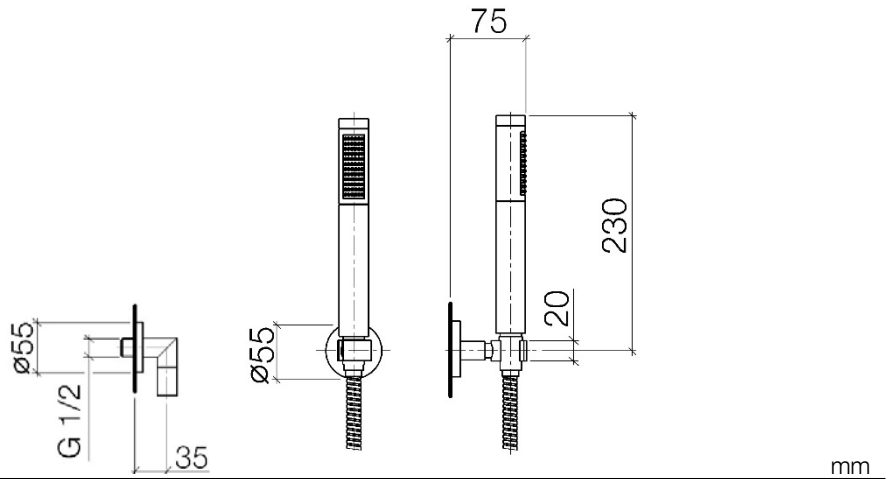
Rainmoon

Concealed rough parts
 35 600 979 90

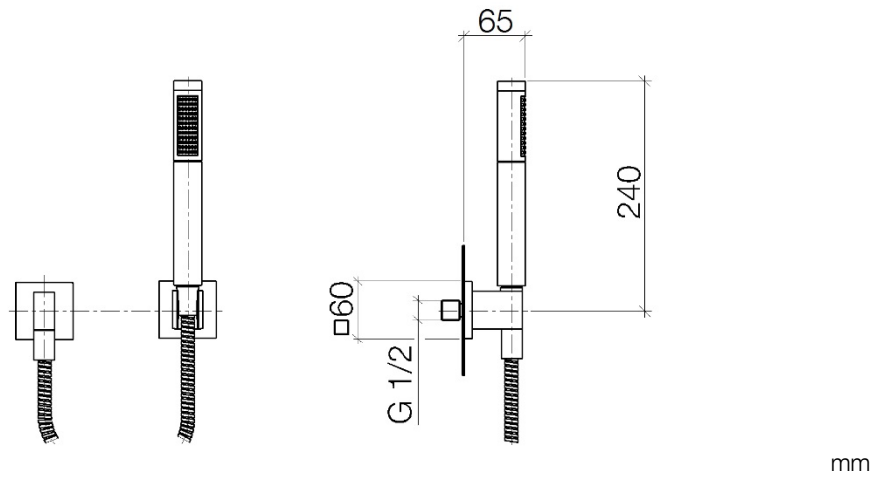


Rainmoon

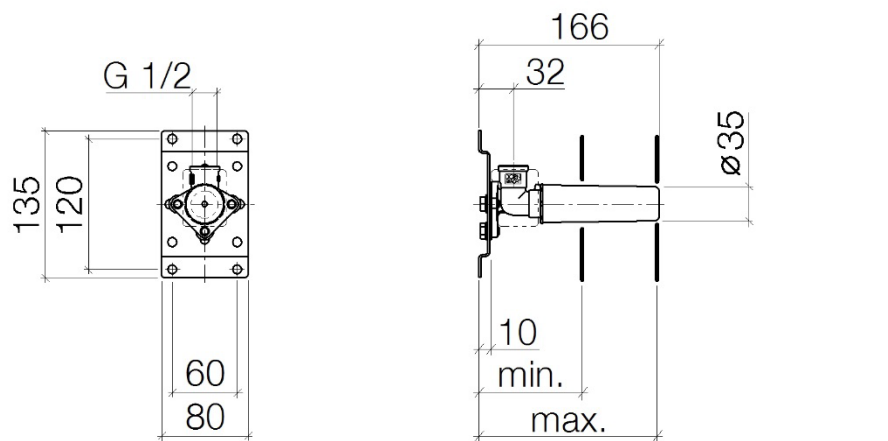
Exposed trim parts 41 600 970-FF
 28 450 625-FF
 27 806 625-FF



Exposed trim parts 41 600 979-FF
 28 808 980-FF



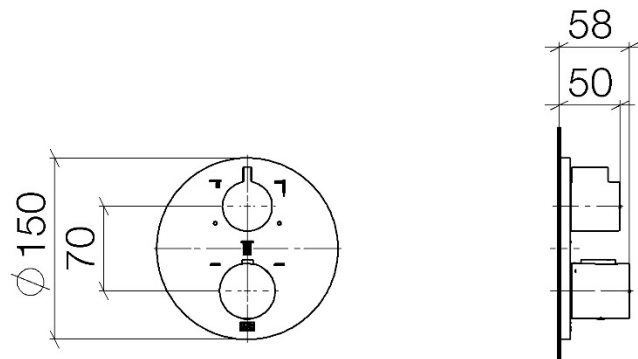
Concealed rough parts 35 600 979 90
 35 085 970 90



mm
 Inch = mm / 25.4

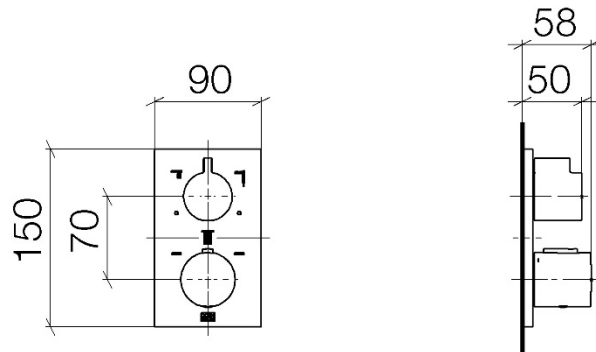
Rainmoon

Exposed trim parts 41 600 970-FF
 36 427 970-FF



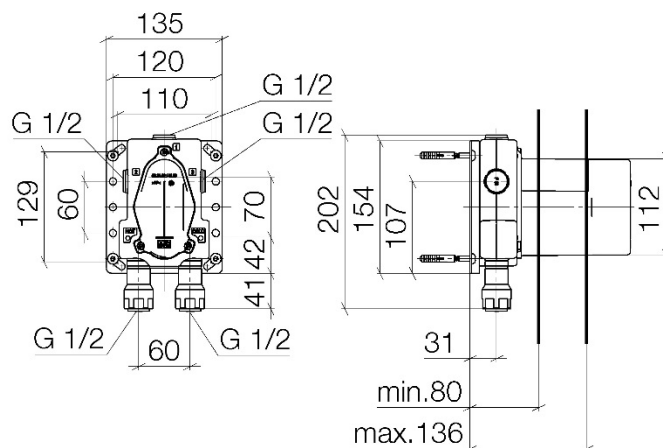
mm

Exposed trim parts 41 600 979-FF
 36 427 670-FF



mm

Concealed rough parts 35 600 979 90
 35 428 970 90

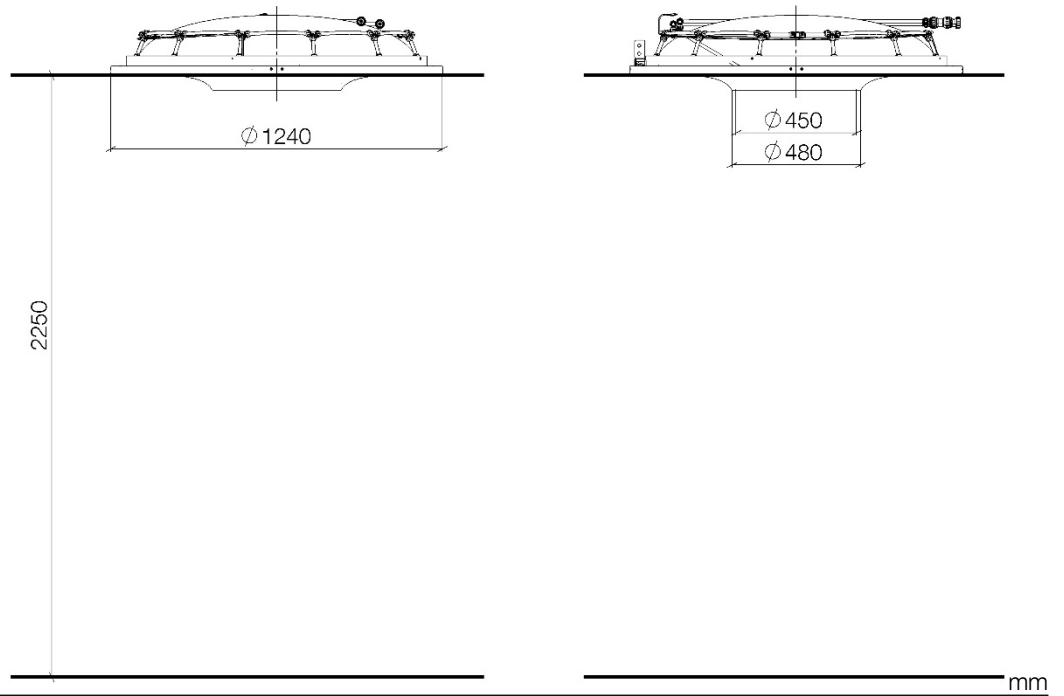


mm

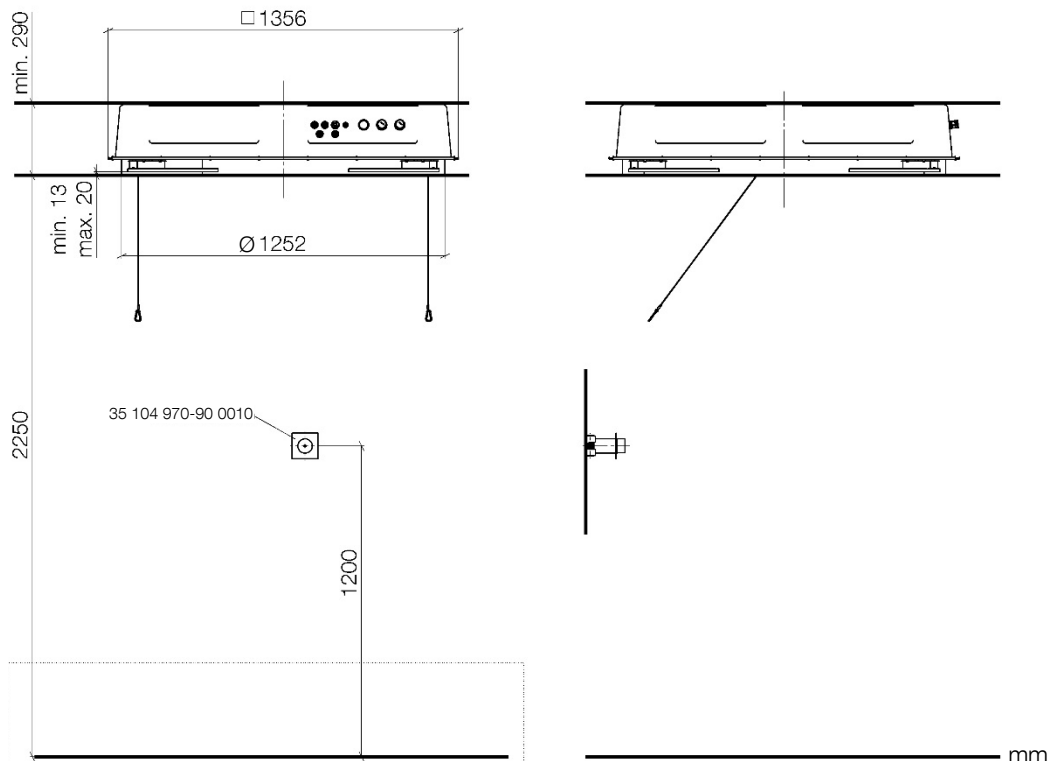
Inch = mm / 25.4

RAINMOON (US)

Exposed trim parts
 41 610 979-FF 0010



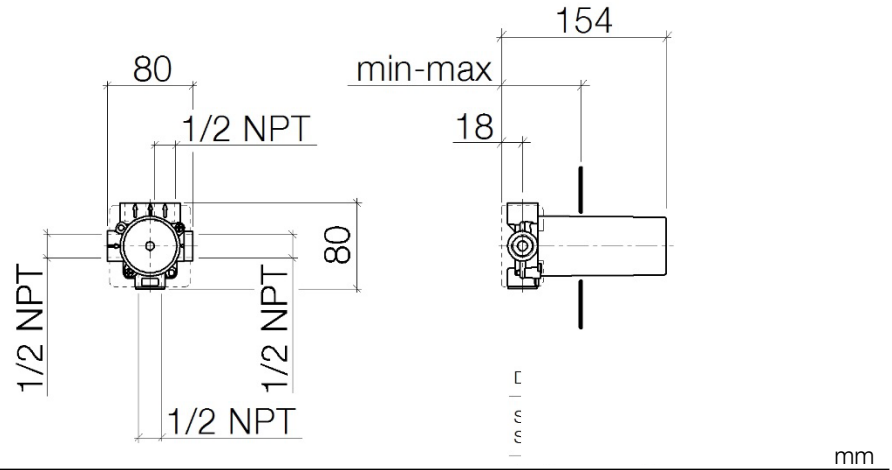
Concealed rough parts
 35 610 970-90 0010



mm
 Inch = mm / 25.4

RAINMOON (US)

Concealed rough parts
35 104 970-90 0010



Inch = mm / 25.4

Aloys F. Dornbracht GmbH & Co. KG Armaturenfabrik
Köbbingser Mühle 6, D-58640 Iserlohn
Tel. +49(0)2371 433-0, Fax +49(0)2371 433-232
mail@dornbracht.de, dornbracht.com

Dornbracht Group

Premium Solutions for Interior Architecture