



WE ARE IB

Collection

BATLÒ

Article

BI204

Description

Washbasin mixer complete of automatic pop-up

Box Dimensions

340 x 180 x 70 mm

Weight

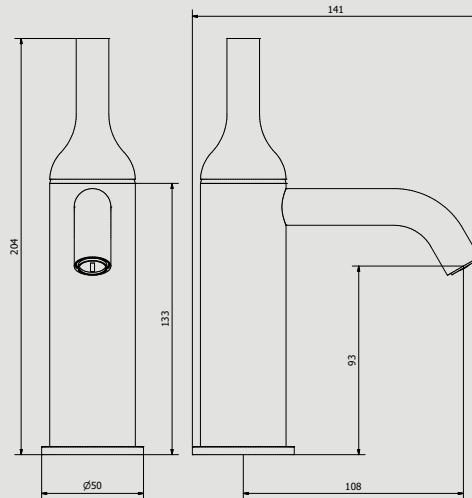
1.6 kg

Finishes

- CC** CHROME
- CF** BLACK CHROME
- BG** GLOSSY WHITE
- NG** GLOSSY BLACK
- SS** BRUSHED NICKEL
- CS** BRUSHED BLACK CHROME
- BO** MATT WHITE
- NP** MATT BLACK
- OO** GOLD
- BB** ANTIQUE BRONZE
- II** PALE GOLD
- RR** ANTIQUE COPPER
- ORS** ROSE GOLD
- ON** NATURAL BRASS
- IS** BRUSHED PALE GOLD
- HH** PVD CHOCOLATE



Dimensions



Cartridge

IB 25 mms Ceramics Discs Cartridge

Wall Hoses

Inox hoses G3/8" female 450 mms long

Aerator

M16.5X1 perlator

Flow Rate (+/-10%)

1 BAR
6.7 l/min

2 BAR
8.9 l/min

3 BAR
10.9 l/min

Production

Main body is a machined from a solid pieces

Material

BRASS
According to CuZn39Pb3 (CW614N)
Max Lead content: 2.5%

IB RUBINETTERIE s.p.a
via dei Pianotti 3/5
25068 Sarezzo (BS) - Italy -

T. +39 030 802101
F. +39 030 803097
info@weareib.it

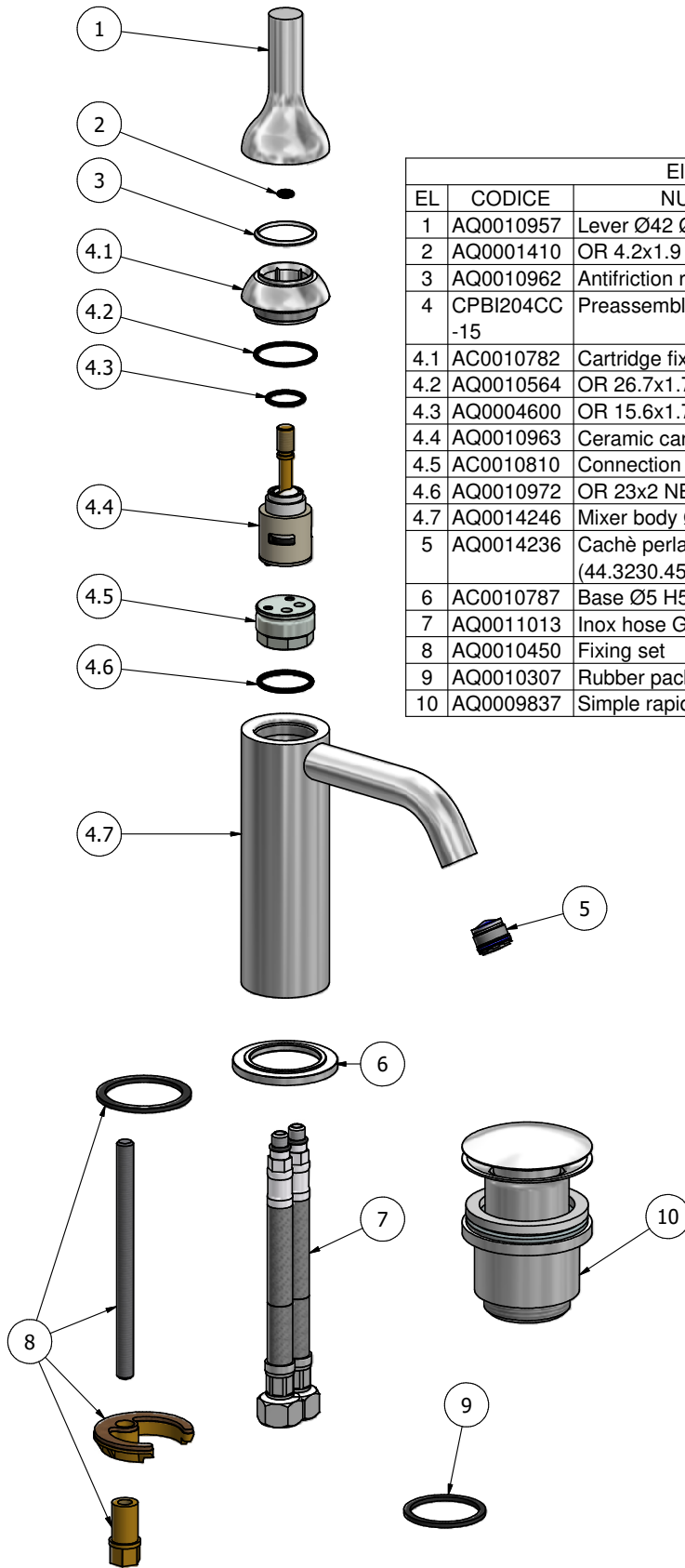
P.IVA 01785230986
capitale sociale
€420.000,00 i.v.

www.weareib.it





WE ARE IB



Elenco parti			
EL	CODICE	NUMERO DI MAGAZZINO	QT
1	AQ0010957	Lever Ø42 Ø16 H70 M8	1
2	AQ0001410	OR 4.2x1.9 NBR 70 SH	1
3	AQ0010962	Antifriction ring Ø29.5 Ø26.2 H1.9	1
4	CPBI204CC-15	Preassembled basin mixer medium	1
4.1	AC0010782	Cartridge fixing nut M30x1 H21.45 Ø42	1
4.2	AQ0010564	OR 26.7x1.78 NBR 70 SH	1
4.3	AQ0004600	OR 15.6x1.78 NBR 70 SH	1
4.4	AQ0010963	Ceramic cartridge Ø25	1
4.5	AC0010810	Connection piece Ø27X18	1
4.6	AQ0010972	OR 23x2 NBR 70 SH	1
4.7	AQ0014246	Mixer body Ø42 H129	1
5	AQ0014236	Cachè perlator M16,5 x 1 coin slot (44.3230.450)	1
6	AC0010787	Base Ø5 H5	1
7	AQ0011013	Inox hose G3/8" F M8x1 L450	2
8	AQ0010450	Fixing set	1
9	AQ0010307	Rubber packing Ø39 Ø33 H2	1
10	AQ0009837	Simple rapid waste 1"1/4	1



WE ARE IB

WARRANTY

All IB Rubinetterie SpA products are warranted for 10 years from the date of purchase, for the following cases:

- Defects of casting, porosity and chrome plating.
- Operating defects caused by incorrect fabrication.

The warranty provides for repair or replacement of products with fabrication defects recognized by our technical office. There is no other type of compensation anche the merchandise must be returned FOB our warehouse. The warranty only cover surface defects (scatches, dings, etc.) on fitting that have not been installed and used, returned in its original packaging with all components. O-ring, gasket seals and components subject to wear proportional to use are warranted for 2 years.

The warranty is void in the following cases:

Error installing and putting the product into service.

Deterioration of finished surfaces due to use of cleaning products containing acids or abrasive substances. Deterioration of surface with finishes other than chrome plating. Their durability is, in fact, dependent on the user's care and gentleness of use.

Deterioration of the fitting due incorrect installation.

Improper repairs and maintenance performed without the company's prior authorization.

The warranty from IB Rubinetterie SpA is not renewable.

Cleaning

We recommended cleaning the finish surfaces with water and soap, using a soft cloth.

Do not use detergents that contain hydrochloric acid or abrasive substances.

